

REAR POLY PANEL KIT

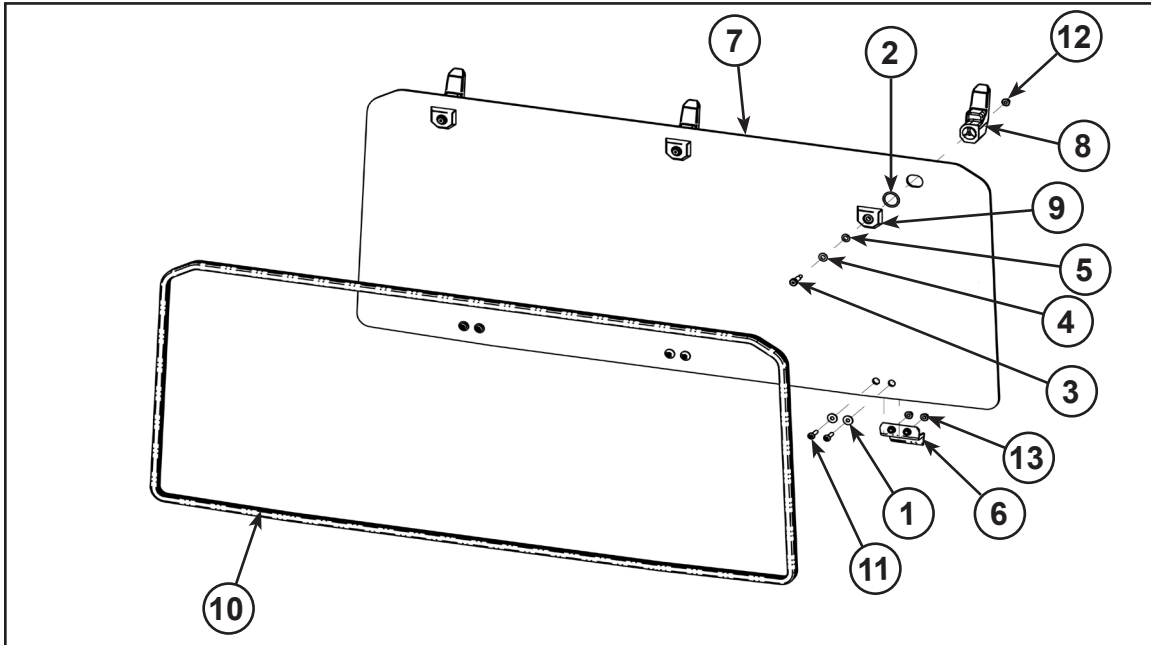
P/N 2879812

Application

RANGER 570 AND RANGER ETX



Before you begin, read these instructions twice and check to be sure all parts and tools are accounted for. Please retain these installation instructions for future reference and parts ordering information.



Kit Contents:

<u>Ref</u>	<u>Qty</u>	<u>Part Description</u>	<u>Part Number</u>
1*	6	Washer-6, 4X18X1.4 Black RIE	-
2*	3	O-Ring, 25mmX3mm	-
3*	3	Shoulder Bolt, M8-16, M6X1.0-RIE	-
4*	3	Washer-8.40X16X0.8-RIE	-
5*	3	Washer-Wave, 8.40X15.0X0.80 ZPB	-
6	3	Lock and Ride Mount, Windshield, Rear	5439918
7	1	Poly Rear-Panel, Lock and Ride Mount	5451137
8	3	Rear-Handle, Windshield, Lock and Ride	5451297
9	3	Base-Lock and Ride, Windshield, Rear	5451908
10	1	Poly Seal, Rear	5522026
11	6	Bolt-M6X1.0X25, Torx, PNHD, BLK	7518535
12	9	Nut-HXFL-M6X1.08 ZB3 NYL	7547453
	1	Instructions	9924598

Items marked (*) are included in Hardware Kit PN 2205581.

Tools Required:

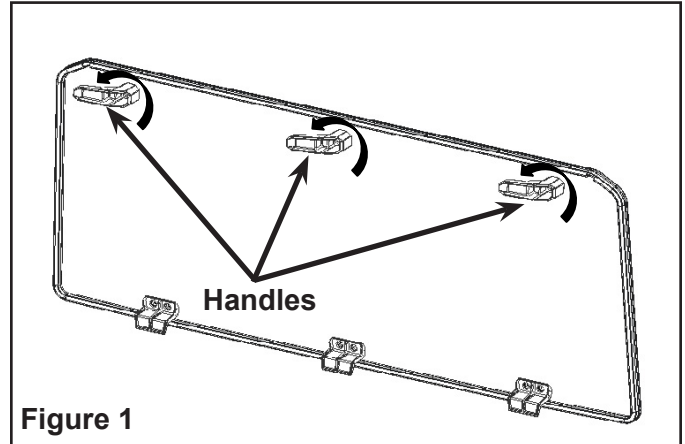
Safety Goggles

APPROXIMATE ASSEMBLY TIME: 5 minutes

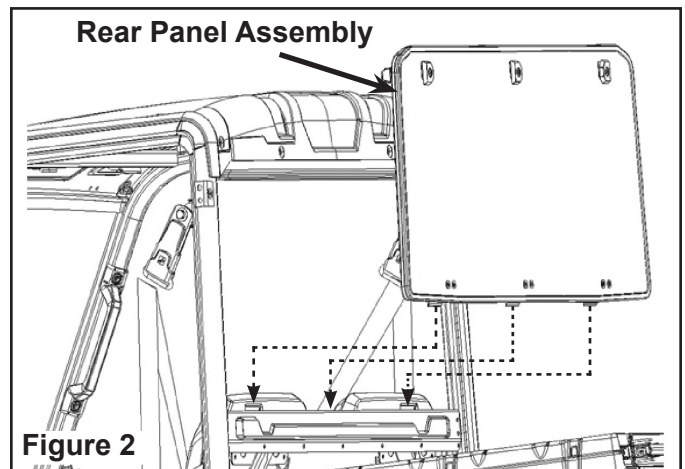
IMPORTANT: Your Polaris REAR POLY PANEL KIT is exclusively designed for your vehicle. Please read the installation instructions thoroughly before beginning. Installation is easier if the vehicle is clean and free of debris. For your safety, and to ensure a satisfactory installation, perform all installation steps correctly in the sequence shown.

REAR PANEL INSTALLATION INSTRUCTIONS:

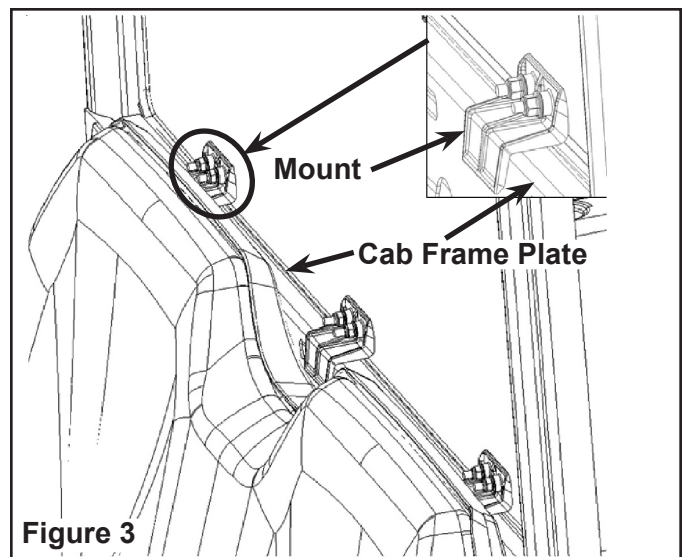
1. Place the vehicle in "PARK". Turn the key to "OFF" position and remove from the vehicle.
2. Turn the handles (PN 5451297) of rear panel in the direction of arrow as shown in Figure 1.



3. Push the rear panel assembly (PN 2879812) onto the ROPS. Figure 2.



4. Clamp the mounts (PN 5439918) of rear panel on the cab frame plate. Figure 3.



5. After installation of the rear panel, turn the handles up again to clamp the panel fully on ROPS plate.
Figure 4 and Figure 5.

