

REAR GLASS PANEL KIT

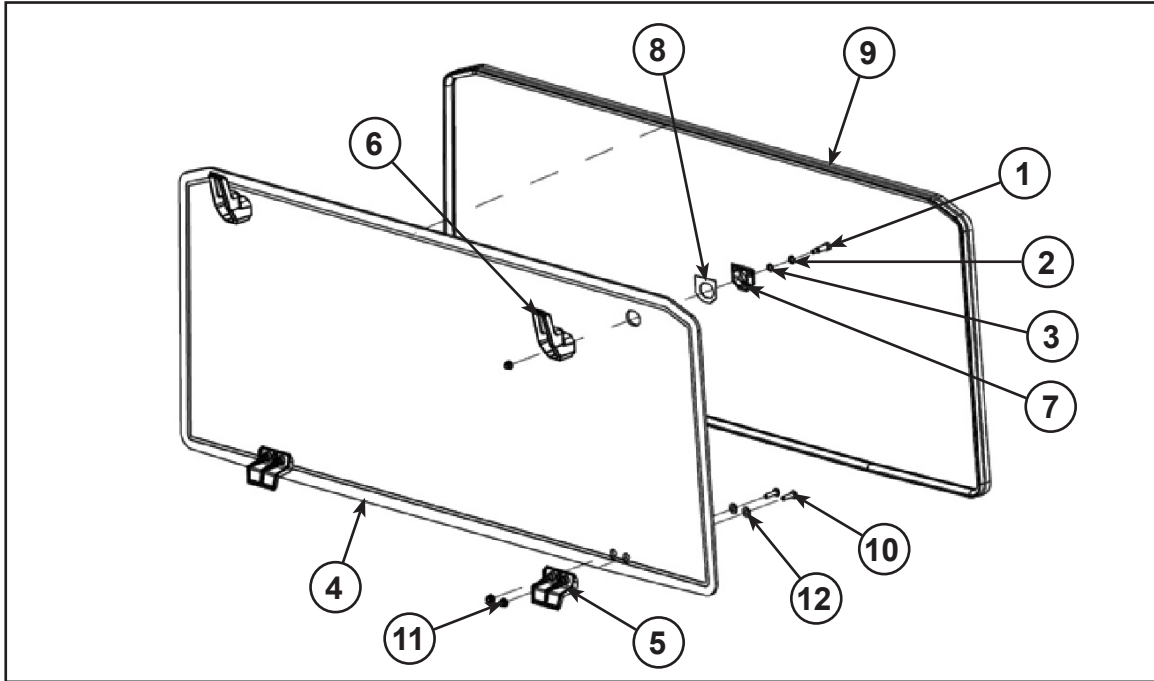
P/N 2879965

Application

RANGER 570 AND RANGER ETX



Before you begin, read these instructions twice and check to be sure all parts and tools are accounted for. Please retain these installation instructions for future reference and parts ordering information.



Kit Contents:

<u>Ref</u>	<u>Qty</u>	<u>Part Description</u>	<u>Part Number</u>
1	2	Shoulder Bolt-M8-20, M6X1.0-Black	-
2	2	Washer-8.13X12.7X1.27 ZPB	-
3	2	Wave Washer-8.13X12.7X0.635 ZPB	-
4	1	Rear Glass Panel, Lock and Ride	2635315
5	2	Lock and Ride Mount, Rear Windshield	5439918
6	2	Rear Handle, Windshield, Lock and Ride	5451297
7	2	Lock and Ride Base, Rear Windshield	5451486
8	2	Shim-Lock and Ride, Windshield	5451506
9	1	Rear Glass Seal	5522025
10*	4	Bolt-M6X1.0X25, Torx, PNHD, Black	7518535
11*	6	Nut-HXFL-M6X1.0 8 ZB3 Nyloc	7547453
12	4	Flat Washer-6.6X17.5X1.5, Nylon	-
	1	Instructions	9925355

Items marked (*) are included in Hardware Kit PN 2205582

Tools Required:

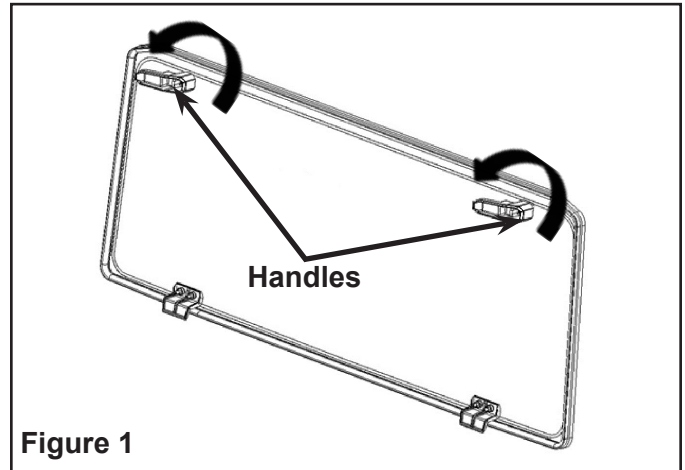
Safety Goggles

APPROXIMATE ASSEMBLY TIME: 5 minutes

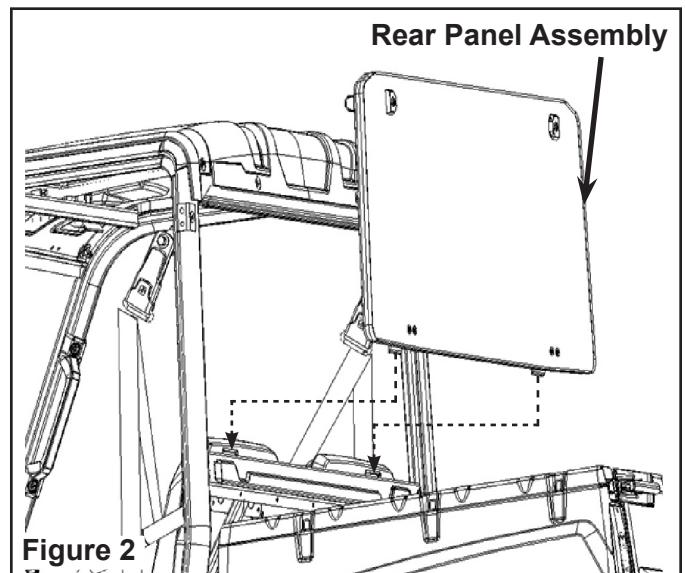
IMPORTANT: Your Polaris REAR GLASS PANEL KIT is exclusively designed for your vehicle. Please read the installation instructions thoroughly before beginning. Installation is easier if the vehicle is clean and free of debris. For your safety, and to ensure a satisfactory installation, perform all installation steps correctly in the sequence shown.

REAR PANEL INSTALLATION INSTRUCTIONS:

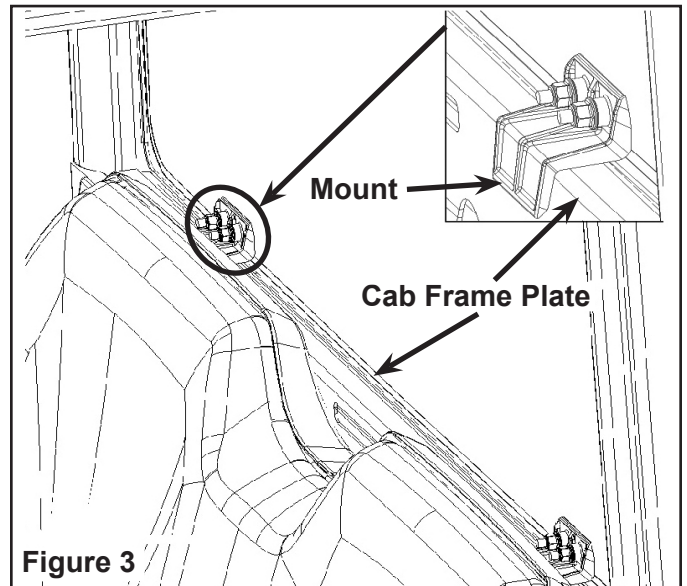
1. Place the vehicle in “PARK”. Turn the key to “OFF” position and remove from the vehicle.
2. Turn the handles (PN 5451297) of rear panel down.
Figure 1.



3. Push the rear panel assembly (PN 2879965) onto the ROPS. Figure 2.



4. Clamp the mounts (PN 5439918) of rear panel on the Cab Frame Plate. Figure 3.



5. After installation of the rear panel, turn the handles up again to clamp the panel fully on ROPS plate. Figure 4 and Figure 5.

