

TOOL RACK KIT



P/N 2881533

APPLICATION

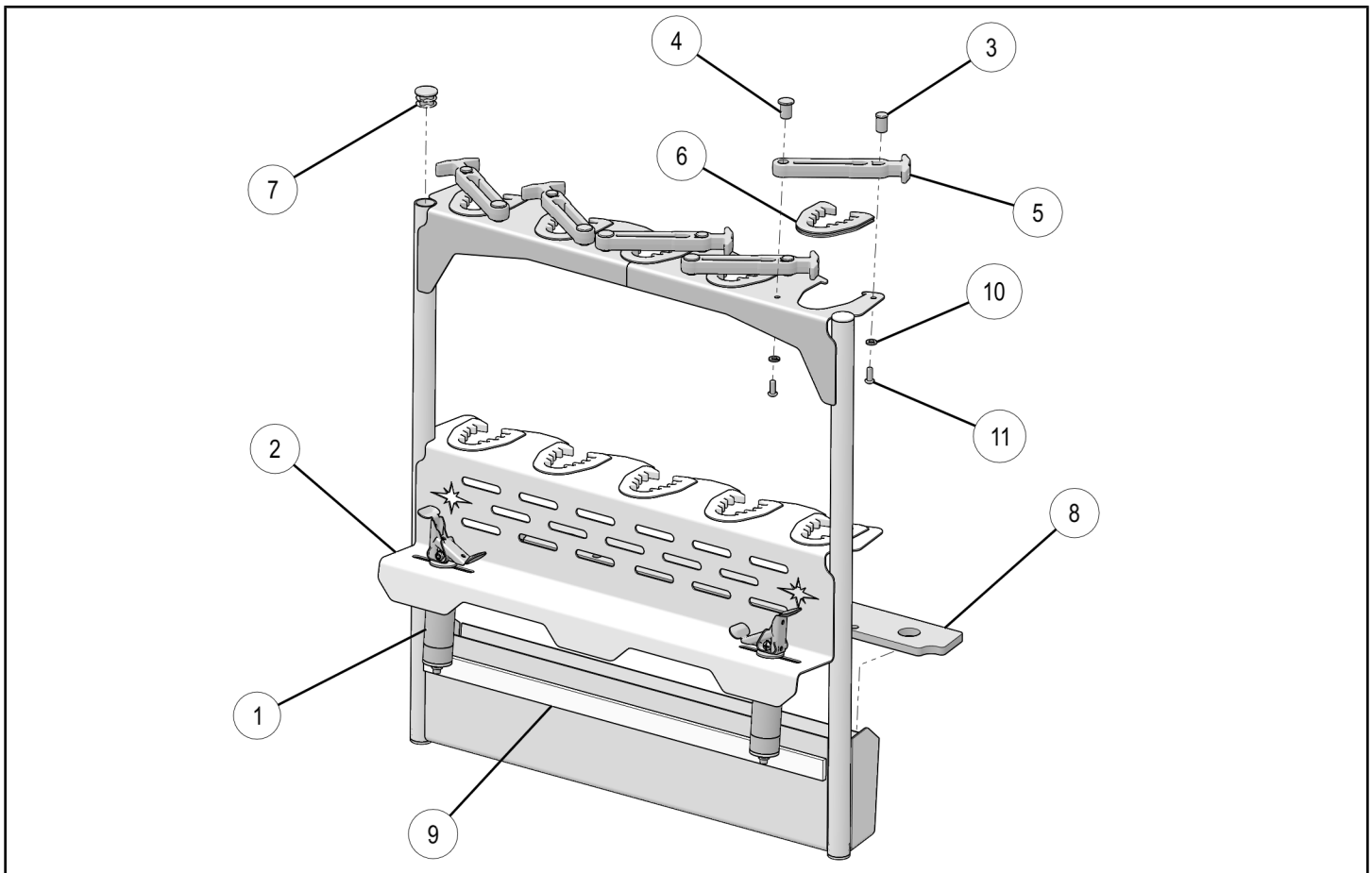
All MY13 and Newer Full-Size *RANGER* Models

BEFORE YOU BEGIN

Read these instructions and check to be sure all parts and tools are accounted for. Please retain these installation instructions for future reference and parts ordering information.

KIT CONTENTS

This Kit includes:



REF	QTY	PART DESCRIPTION	PART NUMBER
1	2	Anchor Expansion Kit	2875250
2	1	Tool Rack Weldment	-
3	5	Retainer Spacer, 13.5 mm	-
4	5	Retainer Spacer, 18 mm	-
5	5	Rubber Retainer	-
6	10	Tool Holder Molded Trim	-
7	4	Tool Holder Plug	-

REF	QTY	PART DESCRIPTION	PART NUMBER
8	1	Tool Holder Lower Pad	-
9	1	Rubber Bumper Pad	-
10	10	Washer, Spring - M6	-
11	10	Screw, Torx - M6 X 1.0 X 15	-
	1	Instructions	9926586

TOOLS REQUIRED

- Safety Glasses
- Metric Wrench Set
- Metric Socket Set

IMPORTANT

Your TOOL RACK KIT is exclusively designed for your vehicle. Please read the installation instructions thoroughly before beginning. Installation is easier if the vehicle is clean and free of debris. For your safety, and to ensure a satisfactory installation, perform all installation steps correctly in the sequence shown.

ASSEMBLY TIME

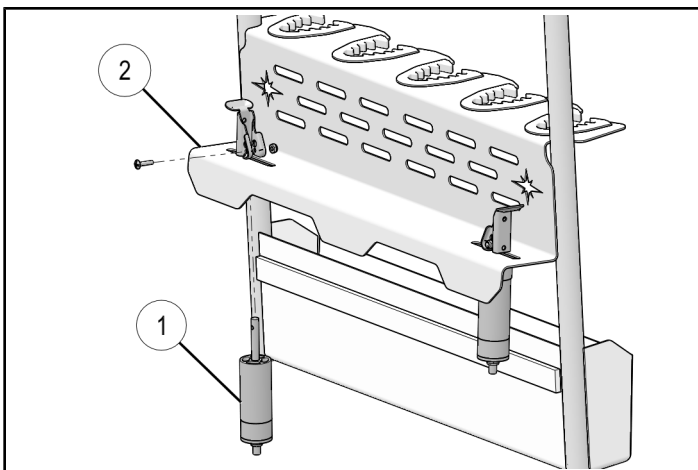
Approximately 15 minutes

INSTALLATION INSTRUCTIONS

1. Place vehicle in "PARK". Turn key to "OFF" position and remove from vehicle.
2. Assemble LOCK & RIDE® expansion anchor ① to each end of tool rack ② as shown.

NOTE

Refer to instructions included with LOCK & RIDE® expansion anchors.



3. Insert tool rack ② into vehicle so that expansion anchors ① fully recede into vehicle receptacles as shown, then depress upper cams to lock in place. If installation is loose, remove tool rack from vehicle, tighten nuts at base of expansion anchors, and reinstall.

