

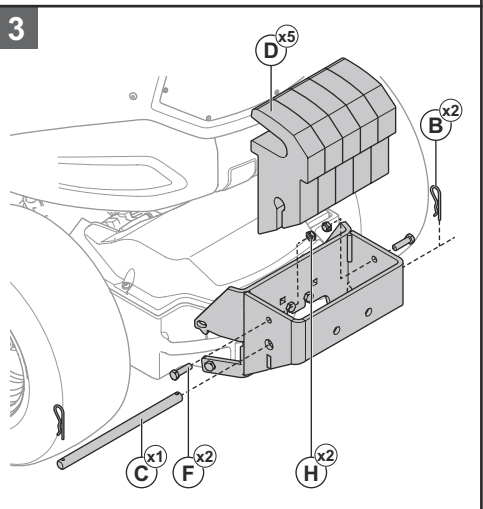
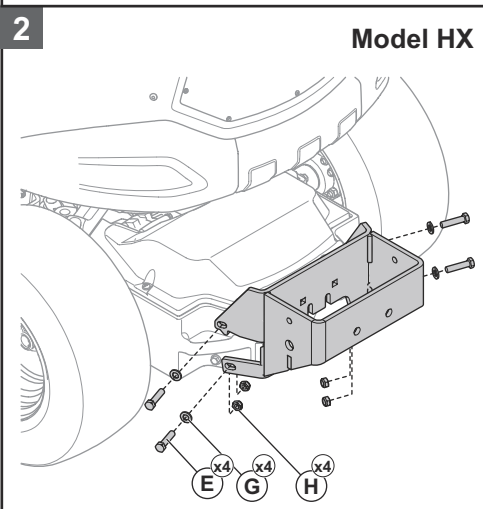
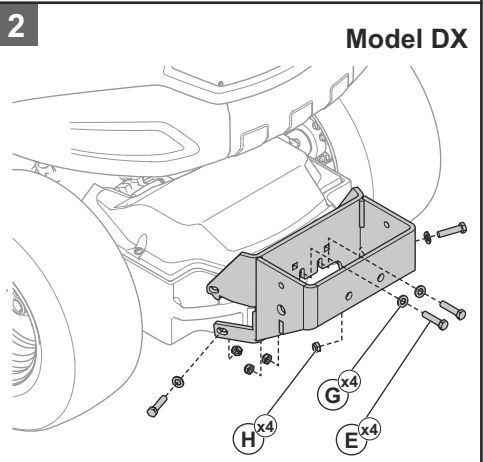
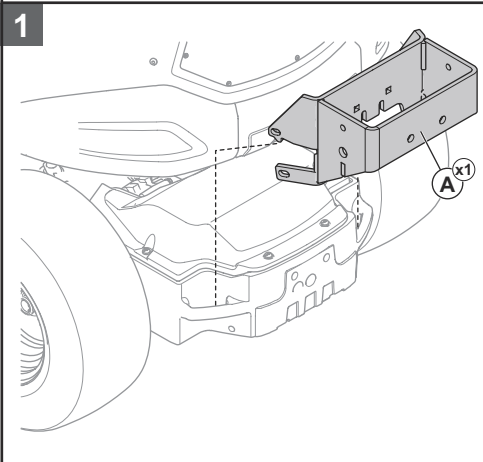
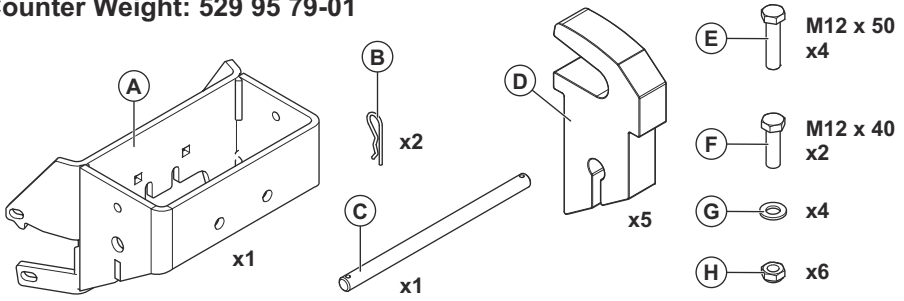


 **Husqvarna**[®]

Husqvarna Attachments

Counter Weight P 500DX/HX
529 95 79-01

Counter Weight: 529 95 79-01





www.husqvarna.com

Original instructions



5311784-01

Rev. B



2024-01-26