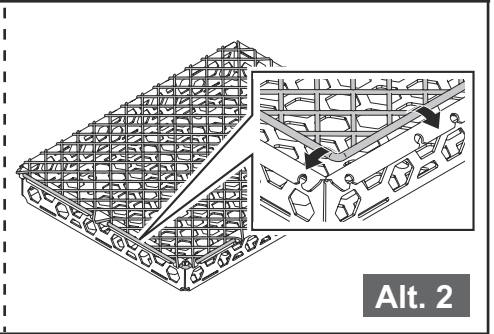
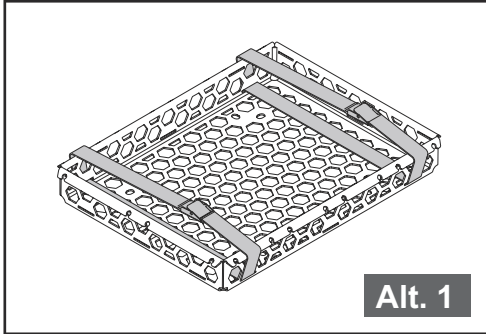
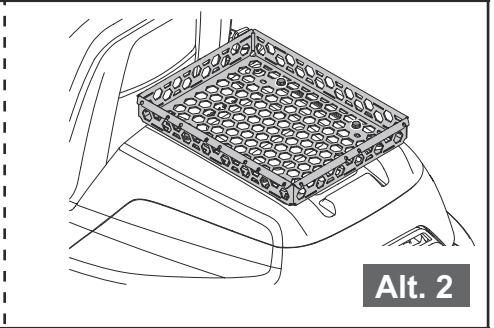
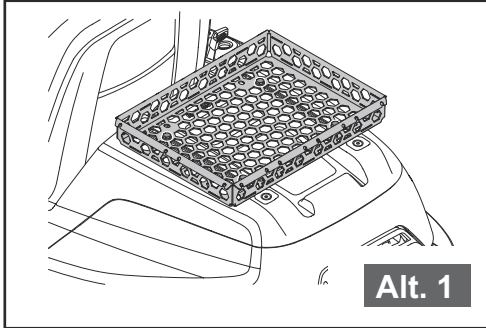
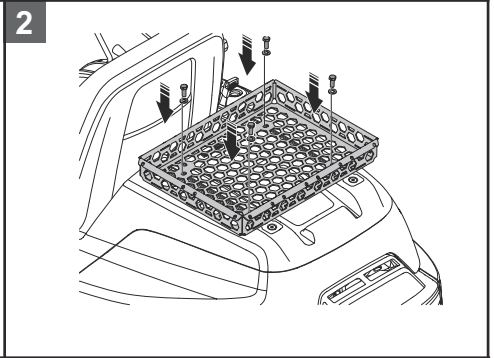
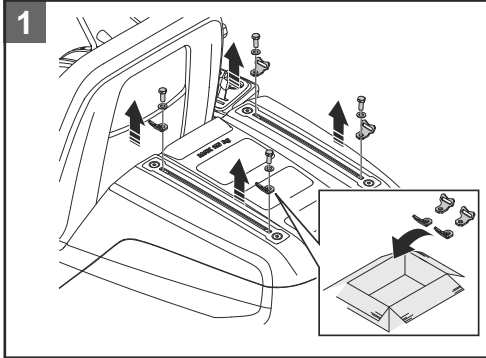
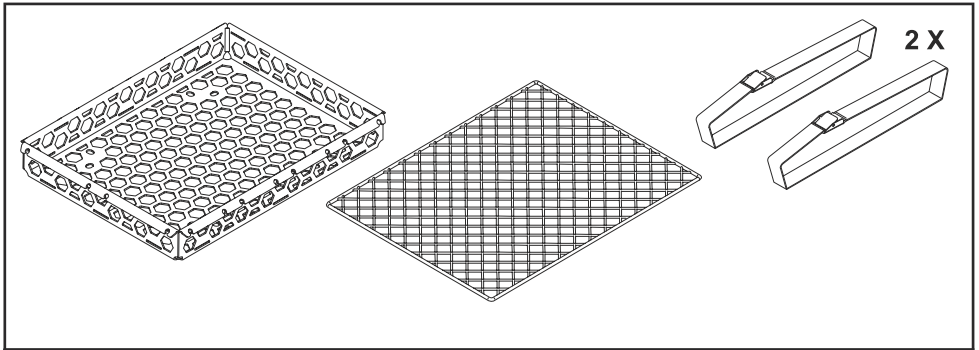




Husqvarna®

Husqvarna Attachments

Cargo holder: 594 98 83-01





www.husqvarna.com

Original instructions



5975382-01

Rev. B



2024-03-13