



# Husqvarna®



RA850

EN Operator's manual  
ES-MX Manual del usuario  
FR-CA Manuel d'utilisation

2-12  
13-23  
24-34

---

# Contents

---

Introduction.....	2	Maintenance.....	9
Safety.....	4	Transportation, storage and disposal.....	12
Operation.....	8	Technical data.....	12
Assembly.....	9		

---

## Introduction

---

### Intended use



**WARNING:** The cutting attachment must only be used together with compatible products. Refer to the operator's manual of the product.

---

The cutting attachment is used to cut grass and twigs.

---

**Note:** National regulations can set limit to the operation of the product.

---

### Product description

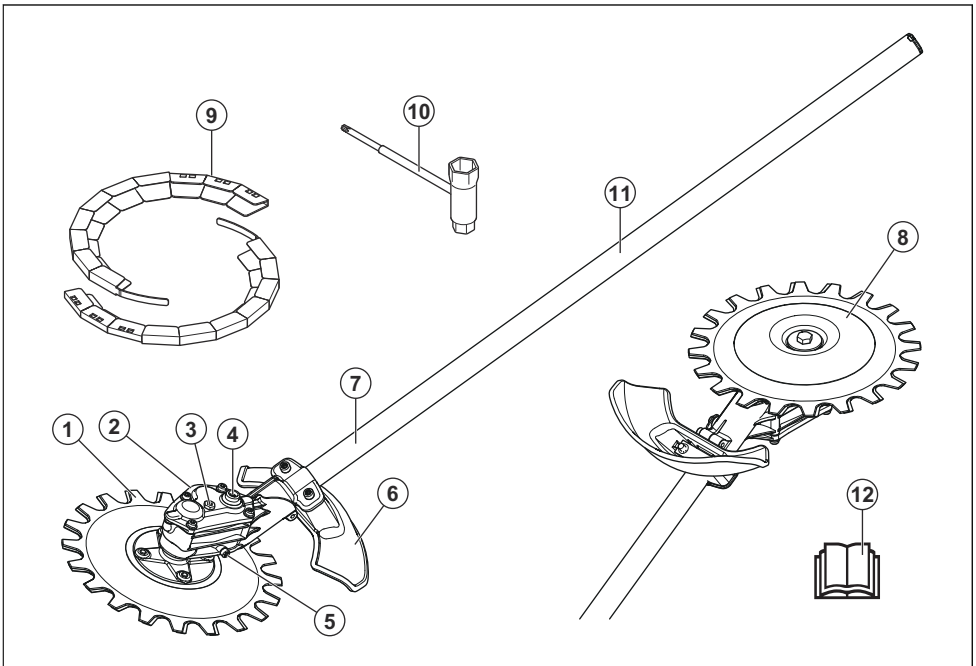
We have a policy of continuous product development and therefore reserve the right to modify the design and appearance of the products without prior notice.

---

**Note:** This manual cover both gasoline operated and battery operated power units.

---

### Cutting attachment overview



- |                    |                                       |
|--------------------|---------------------------------------|
| 1. Blade           | 4. Socket to move the blades manually |
| 2. Gear housing    | 5. Bottom grease plug                 |
| 3. Top grease plug | 6. Cutting attachment guard           |

7. Shaft
8. Support cup
9. Transport guard
10. Combination wrench
11. Information and warning decal
12. Operator's manual

## Symbols on the attachment and on the power unit



Careless or incorrect use of this attachment can result in serious or fatal injury to the operator or others.



Read the operator's manual carefully and make sure you understand the instructions before you use the attachment.



Use a protective helmet in locations where objects can fall on you. Use approved hearing protection. Use approved eye protection.



Always wear approved protective gloves.



Wear sturdy, non-slip boots.



Maximum cuts per minute.



The arrows show the limits for the position of the handle.



The product can cause objects to eject, which can cause injury.



Keep a minimum of 15 m / 50 ft distance to persons and animals during operation of the product.



15 m  
50FT

The operator must ensure that no people or animals come closer than 15 metres. When several operators are working at the same site a safety distance of at least 15 metres must be in effect. The attachment can forcibly throw objects that can bounce back. This can result in serious eye injuries if the recommended safety equipment is not used.

yyyywwxxxx

The serial label shows serial number. **yyyy** is the production year and **ww** is the production week.

**Note:** Other symbols/decals on the attachment refer to special certification requirements for certain markets.

## California Proposition 65

### **WARNING**

The engine exhaust from this product contains chemicals known to the State of California to cause cancer, birth defects or other reproductive harm.

# IMPORTANT SAFETY INSTRUCTIONS

## Safety definitions

Warnings, cautions and notes are used to point out specially important parts of the operator's manual.



**WARNING:** Used if there is a risk of injury or death for the operator or bystanders if the instructions in the manual are not obeyed.



**CAUTION:** Used if there is a risk of damage to the product and/or the attachment, other materials or the adjacent area if the instructions in the manual are not obeyed.

**Note:** Used to give more information that is necessary in a given situation.

## Read all instructions



**WARNING:** When using electric gardening appliances, basic safety precautions should always be followed to reduce the risk of fire, electric shock, and personal injury, including the following:

## General safety instructions



**WARNING:** Read the safety instructions that follow before you use the attachment.

- Please read the operator's manual carefully and make sure you understand the instructions before using the attachment.
- These instructions supplement the instructions that were included with the product. For other procedures, please refer to the operating instructions for the product.
- Under no circumstances may the design of the attachment be modified without the permission of the manufacturer. Do not use an attachment that appears to have been modified by others and always use original accessories. Non-authorized modifications and/or accessories can result in serious personal injury or the death of the operator or others.
- Overexposure to vibration can lead to circulatory damage or nerve damage in people who have

impaired circulation. Contact your doctor if you experience symptoms of overexposure to vibration. Such symptoms include numbness, loss of feeling, tingling, pricking, pain, loss of strength, changes in skin color or condition. These symptoms normally appear in the fingers, hands or wrists. These symptoms may be increased in cold temperatures.

## Other safety information

- Avoid Dangerous Environment – Don't use appliances in damp or wet locations.
- Don't Use In Rain.
- Keep Children Away – All visitors should be kept at a distance from work area.
- Dress Properly – Do not wear loose clothing or jewelry. They can be caught in moving parts. Use of rubber gloves and substantial footwear is recommended when working outdoors. Wear protective hair covering to contain long hair.
- Use Safety Glasses – Always use face or dust mask if operation is dusty.
- Use Right Appliance – Do not use appliance for any job except that for which it is intended.
- Avoid Unintentional Starting – Don't carry plugged-in appliance with finger on switch. Be sure switch is off when plugging in.
- Don't Force Appliance – It will do the job better and with less likelihood of a risk of injury at the rate for which it was designed.
- Don't Overreach – Keep proper footing and balance at all times.
- Stay Alert – Watch what you are doing. Use common sense. Do not operate appliance when you are tired.
- Store Idle Appliances Indoors – When not in use, appliances should be stored indoors in dry, and high or locked-up place – out of reach of children.
- Maintain Appliance With Care – Keep cutting edge sharp and clean for best performance and to reduce the risk of injury. Follow instructions for lubricating and changing accessories. Keep handles dry, clean, and free from oil and grease.
- Check Damaged Parts – Before further use of the appliance, a guard or other part that is damaged should be carefully checked to determine that it will operate properly and perform its intended function. Check for alignment of moving parts, binding of moving parts, breakage of parts, mounting, and any other condition that may affect its operation. A guard or other part that is damaged should be properly repaired or replaced by an authorized service center unless indicated elsewhere in this manual.

## Safety instructions for operation



**WARNING:** Read the warning instructions that follow before you use the product.

- Only use the product for operations that are given in this manual. Refer to *Intended use on page 2*.
- Do not use the product if you are not sure about if you can operate it.
- Do not operate this product when you are ill or if you use alcohol, drugs or medicine. This can decrease your vision, your judgment or your coordination.
- Do not use the product if you cannot get aid if an accident occur.
- Make sure that the cutting attachment always stops when the engine/motor is at idle speed.
- Make sure that no one comes nearer than 15 m / 50 ft when you cut. Make sure that only approved persons are in the work area
- Keep the work area clean and bright. Do not use the product in bad weather, for example in fog, heavy rain, strong winds, intense cold, risk of lightning.
- If something gets caught in the blades during operation, stop the engine/motor and wait until the blades do not move. Remove the spark plug cap from the spark plug/remove the battery. Put the combination wrench in the gear housing socket to move the blades, refer to *To sharpen the blades on page 10*.
- If the blades are damaged during operation, the top blade and lower blade can get caught in each other. Do not touch the blades, they can move suddenly and cause injury.
- The product can cause objects to eject at high speed. Make sure that all persons in the work area use approved personal protective equipment. Remove loose objects from the work area
- Monitor the work area when you wear hearing protection. Always remove your hearing protection when the engine/motor stops.
- If the product has unusual vibration, stop the engine/motor. If you have a gasoline operated product, remove the spark plug cap from the spark plug. If you have a battery operated product, remove the battery. Check immediately for the cause. Vibration is usually a warning of damage.
- Do not go away from the product when the engine/motor is on.

- Hold the product with 2 hands. Hold the product on the right of your body. Operate the product with the cutting attachment below your waist.



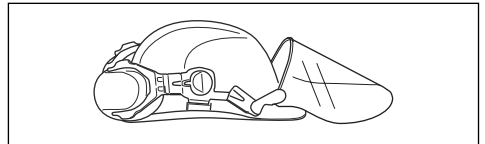
- The cutting attachment must cut away from the operator. To cut in the direction the operator can cause serious injury.
- Make sure your hands and feet do not come near the blades when the engine/motor is on.

## Personal protective equipment



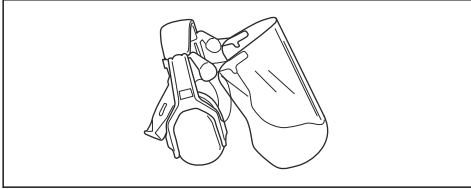
**WARNING:** Read the warning instructions that follow before you use the product.

- Always use approved personal protective equipment when you use the product. Personal protective equipment cannot fully prevent injury but it decreases the degree of injury if an accident does occur. Let your dealer help you select the right equipment.
- Use a protective helmet where there is a risk of falling objects.

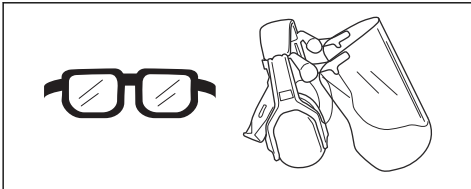


- Long term exposure to noise can result in damaged hearing. In general, battery powered products are relatively quiet but damage can result from a combination of noise level and long usage. Husqvarna recommends that operators use hearing protectors when using products for a longer coherent time of a day. Continual and regular users should have their hearing checked regularly. Note that

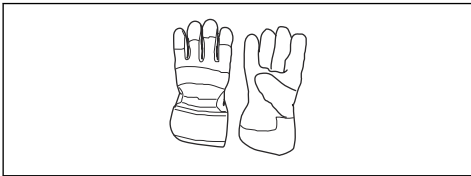
hearing protectors limit the ability to hear sounds and warning signals.



- Use approved eye protection. If you use a visor, you must also use approved protective goggles. Approved protective goggles must agree with the ANSI Z87.1 standard in the USA or EN 166 in EU countries.



- Use gloves when it is necessary, for example, when you examine or clean the product.

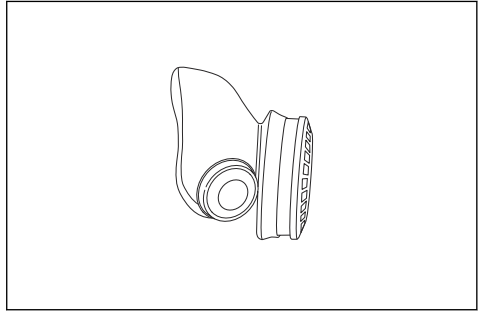


- Use protective boots, or shoes, with non-slip soles.



- Use clothing made of a strong fabric. Always use heavy, long pants and long sleeves. Do not use loose clothing that can catch on twigs and branches. Do not wear jewelry, short pants, open shoes or go with bare feet. Put your hair up safely above your shoulders.

- Use breathing protection when there is a risk of dust.



- Keep first aid equipment close at hand.



## Safety devices on the attachment



**WARNING:** Read the warning instructions that follow before you use the attachment.

This section contains the attachment's safety features, its purpose and how checks and maintenance should be carried out to ensure that it operates correctly. See instructions under the heading *Cutting attachment overview on page 2* to find where these parts are located on your attachment.

The life span of the attachment can be reduced and the risk of accidents can increase if attachment maintenance is not carried out correctly and if service and/or repairs are not carried out professionally. If you need further information please contact your nearest servicing dealer.



**WARNING:** Never use an attachment with defective safety components. The attachment's safety equipment must be inspected and maintained as described in this section. If your attachment fails any of these checks, contact your service agent to get it repaired.



**WARNING:** All servicing and repair work on the product requires special training. This is especially true of the product's safety equipment. If your product fails any of the checks described below you must contact your service agent. When you buy any of our products we guarantee the availability of professional repairs and service. If the retailer who sells your product is not a

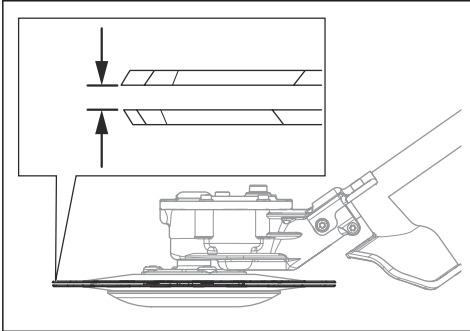
servicing dealer, ask him for the address of your nearest service agent.

## To do a check of the cutting attachment and the cutting attachment guard

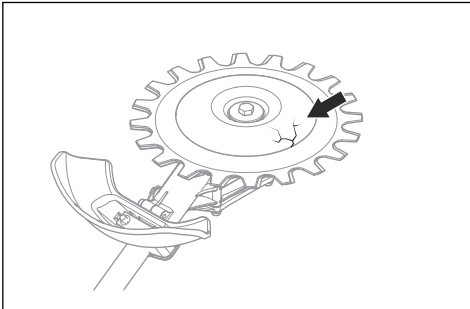


**WARNING:** Do not use a cutting attachment without an approved cutting attachment guard. If an incorrect or defective cutting attachment guard is installed, it can cause injury.

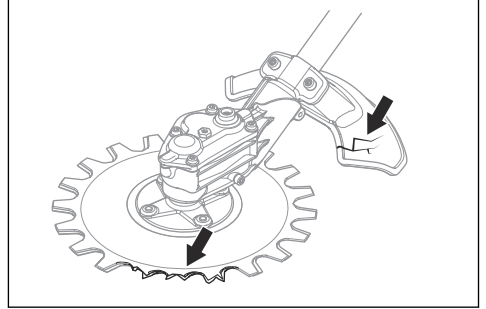
1. Stop the engine and make sure that the cutting attachment stops.
2. If you have a gasoline operated product, remove the spark plug cap from the spark plug. If you have a battery operated product, remove the battery from the product.
3. Put on protective gloves.
4. Make sure that the blades are not damaged. Replace the blades if they are damaged. Refer to *To replace the blades on page 11*.
5. Examine the blades. Make sure that there is no clearance between the blades. If there is a clearance between the blades, the blades must be adjusted. Refer to *To adjust the clearance between the blades on page 11*.



6. Make sure that the support cup is not damaged. Replace the support cup if it is damaged.



7. Make sure that the screws on the cutting attachment are tightened.
8. Make sure that the blades and the cutting attachment guard is not damaged. Replace damaged parts.



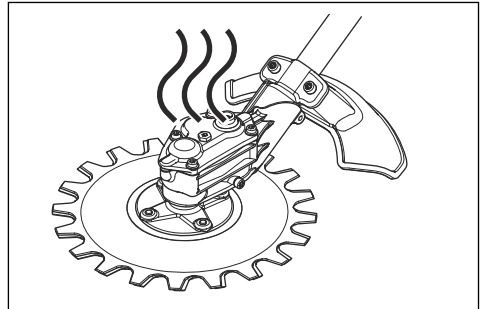
## Safety instructions for maintenance



**WARNING:** The cutting attachment can continue to rotate after the throttle/power trigger has been released. If you have a gasoline operated product, remove the spark plug cap from the spark plug. If you have a battery operated product, remove the battery from the product. Make sure that the cutting attachment has stopped fully before you do maintenance.



**WARNING:** The gear housing gets hot during operation of the product. Hot surfaces can burn you, do not touch the gear housing.



- Always wear heavy-duty gloves when you repair the cutting attachment. The cutting equipment is very sharp and can easily cause cuts.
- Use only original spare parts for repairs.

# SAVE THESE INSTRUCTIONS

## Operation

### The working technique



**WARNING:** Branches or grass can get caught between the cutting attachment guard and the cutting attachment. Always stop the engine/motor before you clean the cutting attachment.

- Use full throttle/speed when you cut and decrease to idle speed after each cut.

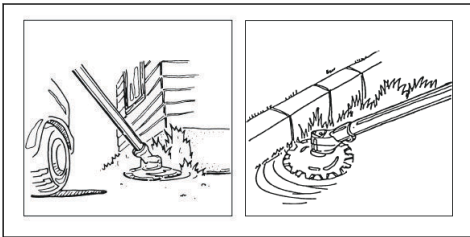


**CAUTION:** Engine/motor damage can occur if the engine runs for too long at full throttle without load.

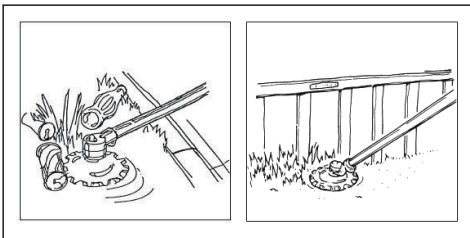
### Recommended use for the cutting attachment

The cutting attachment blades moves with a small angle and can cut in all directions. Move the cutting attachment along the ground at a height where the support cup touches the ground. Use the cutting attachment to cut:

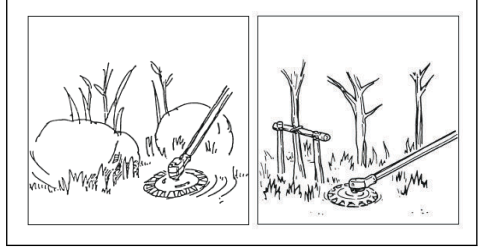
- Park areas and road edges.



- Road side and near fences.



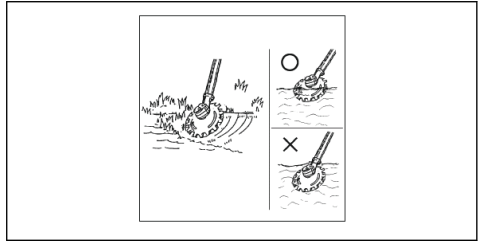
- Around stones and trees.



- Near water.



**CAUTION:** Do not put the gear housing in water.





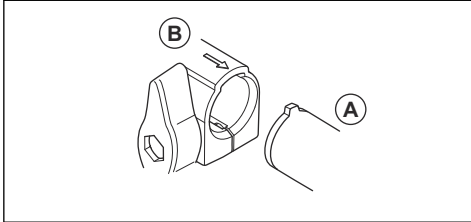
---

## Assembly

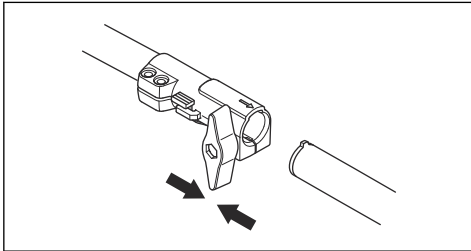
---

### To assemble the two-piece shaft

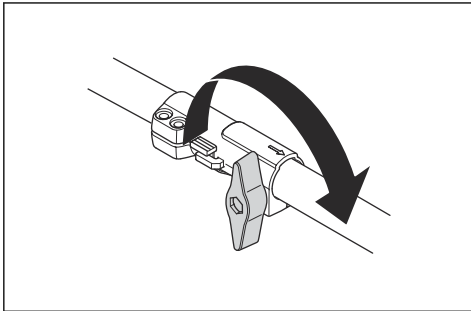
1. Turn the knob to loosen the coupling.
2. Align the tab of the cutting attachment (A) with the arrow of the coupling (B).



3. Carefully push the shaft into the coupling until you hear a click.

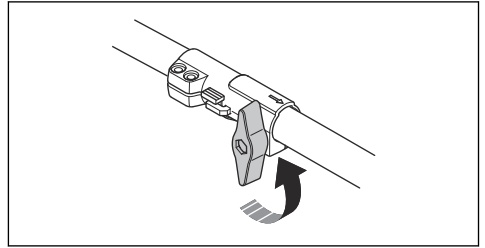


4. Tighten the knob fully.

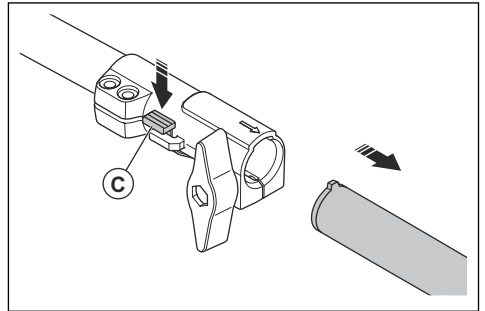


### To disassemble the two-piece shaft

1. Turn the knob 3 turns or more to loosen the coupling.



2. Push and hold the button (C).
3. Hold tight in the end of the shaft that the engine is attached to.
4. Pull the attachment straight out of the coupling.



---

## Maintenance

---

### Introduction

Below you will find some general maintenance instructions. If you need further information please contact your service workshop.

### Maintenance schedule

Below is a list of the maintenance steps that must be done on the cutting attachment.

**Note:** The operator must only do the maintenance and service on the cutting attachment that is given in this operator's manual. Other maintenance and service must be done by an approved service workshop.

---

Maintenance	Daily	Weekly	Monthly
Clean the external parts of the product.	X		
Make sure that the blades are not damaged. Replace the blades if they are damaged.	X		
Make sure that the cutting attachment guard is not damaged. Replace the cutting attachment guard if it is damaged.	X		
Make sure that the support cup is not damaged. Replace the support cup if it is damaged.	X		
Make sure that the screws and nuts are tight.	X		
Fill the gear housing with grease, approximately each 100 work hours.		X	

## To clean and lubricate the blades

1. Clean the blades from unwanted materials before and after you use the product.
2. Lubricate the blades before long periods of storage.

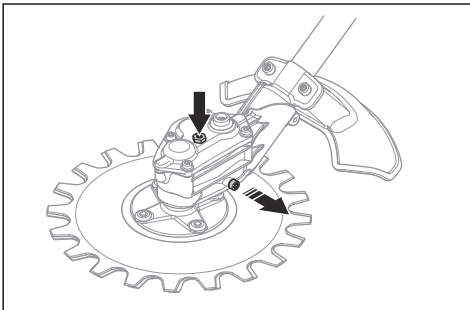
**Note:** Speak to your servicing dealer for more information about recommended cleaning agents and lubricants.

## To lubricate the gear housing



**CAUTION:** Do not fill the gear housing fully. If the gear housing is full, the grease can cause damage to the seals and cause leakage.

1. Remove the grease plugs.
2. Add grease to the top hole.



3. Install the grease plugs.

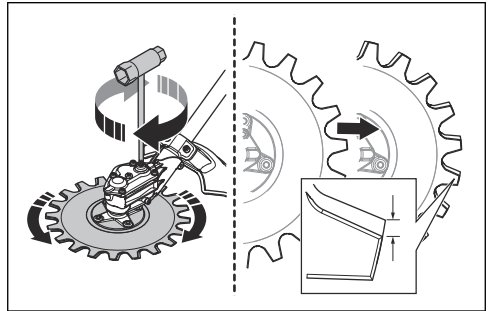
## To sharpen the blades



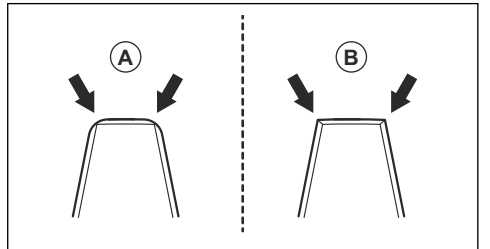
**WARNING:** Use protective gloves when you hold the blades.

1. Put the combination wrench in the socket on the gear housing.

2. Turn the combination wrench until there is a 3 mm/ 0.12 in. difference between the top blade and the lower blade.

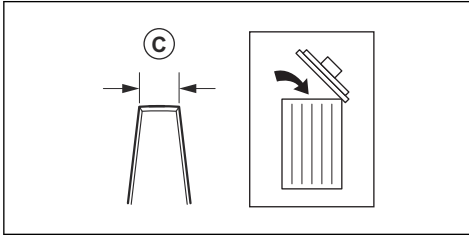


3. Sharpen the edges (B) that you can access with a grinder. Make sure not to make the edges rounded (A).



4. Turn the combination wrench in the opposite direction to get access to the opposite edges.
5. Sharpen the edges that you can access with a grinder.

6. Replace the blades when the width of the tooth is less than 8 mm/0.32 in. (C).



## To replace the blades



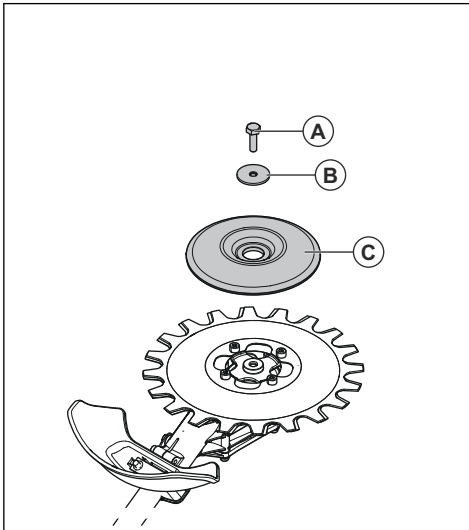
**WARNING:** Use protective gloves when you hold the blades.



**WARNING:** To prevent unbalance and vibrations in the product, clean the cutting attachment when you replace the blades.

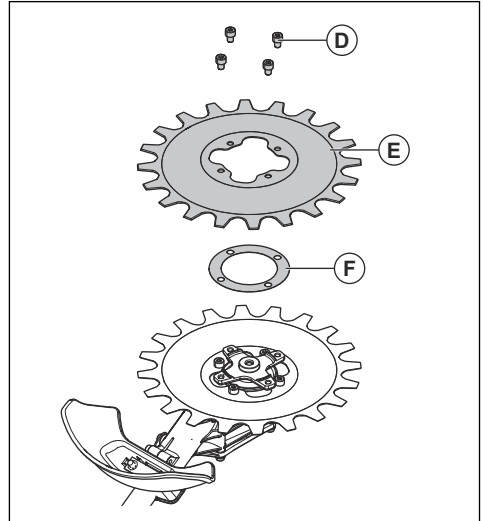
**Note:** The blades are interchangeable.

1. Remove the center screw (A), the washer (B) and the support cup (C).

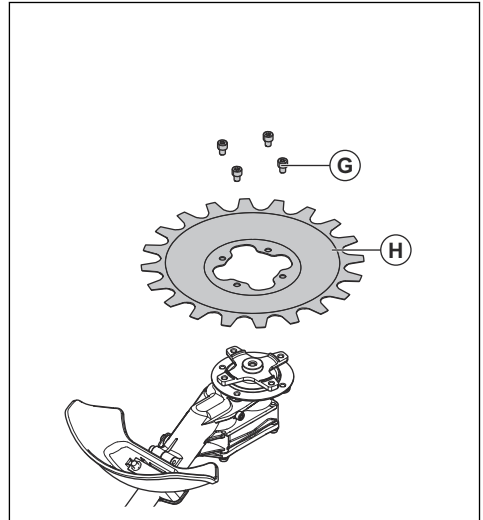


**Note:** The center screw has a left hand thread

2. Remove the 4 screws (D), the lower blade (E) and the shim (F).



3. Remove the 4 screws (G) and the top blade (H).



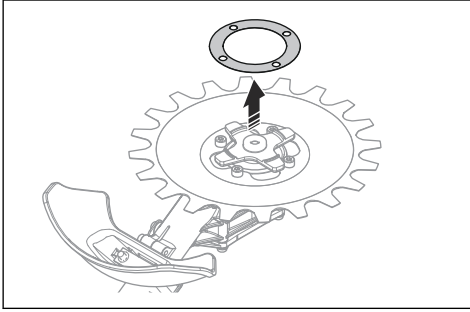
4. Install the blades in opposite sequence. Tighten the screws equally when you install the blades.

## To adjust the clearance between the blades



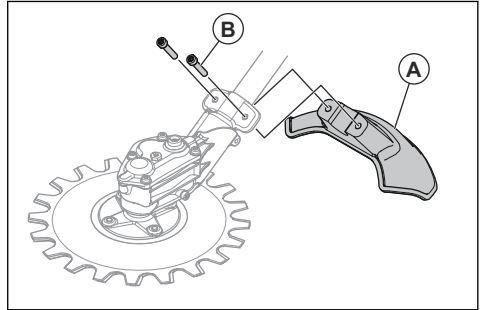
**WARNING:** Use protective gloves when you hold the blades.

1. Remove the lower blade, refer to *To replace the blades on page 11.*
2. Remove the shim.



**Note:** Save the shim until it is time to replace the blades.

- Remove the 2 screws (B) and the cutting attachment guard (A).
- Install the new cutting attachment guard (A) with the 2 screws (B). Tighten the screws equally.



3. Install the lower blade. Tighten the screws equally when you install the blades.

## To replace the cutting attachment guard



**WARNING:** Use protective gloves when you hold the blades

## Transportation, storage and disposal

### Transport and storage

- Make sure that the transport guard is attached correctly to the cutting attachment when the product is not in use, is transported or is in storage.
- Keep the cutting attachment in a locked area to prevent access for children or persons that are not approved.

- Attach the cutting attachment safely during transportation to prevent damage and accidents.
- Make sure that the cutting attachment is clean and that a complete service is done before long time storage.

## Technical data

### Technical data

<b>RA850</b>	
<b>Weight</b>	
Weight, lbs/kg	5.5/2.5
<b>Blades</b>	
Diameter, inch/mm	9/230
Blade speed, cuts/min	4600

# Contenido

Introducción.....	13	Mantenimiento.....	20
Seguridad.....	15	Transporte, almacenamiento y eliminación de residuos.....	23
Funcionamiento.....	19	Datos técnicos.....	23
Montaje.....	20		

## Introducción

### Uso previsto



**ADVERTENCIA:** El equipo de corte solo se debe utilizar en conjunto con productos compatibles. Consulte el manual de usuario del producto.

El equipo de corte se utiliza para cortar césped y ramas pequeñas.

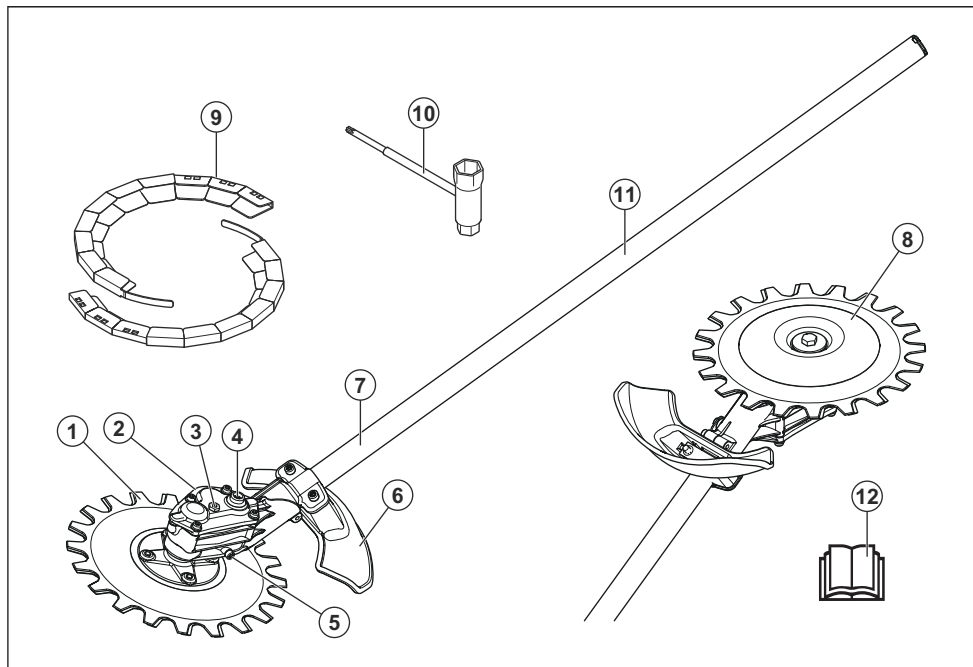
**Tenga en cuenta:** Las normativas nacionales pueden establecer un límite para el funcionamiento del producto.

### Descripción de la máquina

Husqvarna AB tiene una política de desarrollo continuo de productos y, por lo tanto, se reserva el derecho de modificar el diseño y el aspecto de los productos sin previo aviso.

**Tenga en cuenta:** Este manual aborda las unidades de alimentación que funcionan tanto con gasolina como con baterías.


### Descripción general del equipo de corte





1. Hoja
2. Caja de engrajes

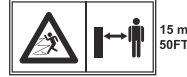
3. Tapón de engrase superior
4. Cavidad para mover las cuchillas manualmente

5. Tapón de engrase inferior
6. Protección del equipo de corte
7. Eje
8. Cazoleta de apoyo
9. Protección para transporte
10. Llave combinada
11. Etiqueta de información y advertencia
12. Manual del usuario

 Las flechas muestran los límites de la posición de la palanca.

 El producto puede provocar que los objetos salgan expulsados, lo que puede causar lesiones.

 Manténgase a un mínimo de 15 m/50 pies de distancia de las personas y los animales mientras el producto esté funcionando.



El operador se debe asegurar de que ninguna persona o animal se acerque a menos de 15 metros. Cuando varios operadores trabajan en el mismo lugar, se debe establecer una distancia de seguridad de, al menos, 15 metros. El accesorio puede echar a volar objetos violentamente que pueden rebotar. Lo anterior puede provocar heridas graves en los ojos si no se utiliza el equipo de seguridad recomendado.

## Símbolos que aparecen en el accesorio y en la unidad de alimentación



El uso incorrecto o descuidado de este accesorio puede ocasionar lesiones graves o mortales al operador u otras personas.



Lea el manual de instrucciones atentamente y asegúrese de entender las instrucciones antes de utilizar el accesorio.



Utilice un casco protector en lugares donde puedan caer objetos sobre usted. Use protección auricular aprobada. Use protección ocular aprobada.



Use siempre guantes protectores aprobados.



Use botas antideslizantes y resistentes.



Cortes máximos por minuto.

yyyywwxxxx

La etiqueta con el número de serie muestra el número de serie. **yyyy** es el año de fabricación y **ww** es la semana de producción.

**Tenga en cuenta:** Otros símbolos o etiquetas en el equipo hacen referencia a requisitos de certificación especiales para ciertos mercados.

## Propuesta 65 de California



### ¡ADVERTENCIA!

Los gases de escape del motor de este producto contienen sustancias químicas conocidas en el Estado de California como causantes de cáncer, defectos congénitos y otros daños reproductivos.

# INSTRUCCIONES DE SEGURIDAD IMPORTANTES

## Definiciones de seguridad

Las advertencias, precauciones y notas se utilizan para señalar las piezas particularmente importantes del manual del usuario.



**ADVERTENCIA:** Se utilizan para señalar el riesgo de lesiones graves o mortales para el operador o para aquellos que se encuentren cerca si no se siguen las instrucciones del manual.



**AVISO:** Se utilizan para señalar el riesgo de dañar el producto o accesorio, otros materiales o el área adyacente si no se respetan las instrucciones del manual.

**Tenga en cuenta:** Se utilizan para entregar más información necesaria en situaciones particulares.

## Lea todas las instrucciones



**ADVERTENCIA:** Cuando utilice aparatos eléctricos para jardines, siga siempre las precauciones de seguridad básicas para reducir el riesgo de incendio, sacudida eléctrica y daños personales, como los siguientes:

## Instrucciones generales de seguridad



**ADVERTENCIA:** Lea las siguientes instrucciones de seguridad antes de usar el accesorio.

- Lea cuidadosamente el manual de usuario y asegúrese de que entiende las instrucciones antes de utilizar el accesorio.
  - Estas instrucciones son un complemento de las instrucciones que se incluyen con el producto. Para otros procedimientos, consulte las instrucciones de operación del producto.
  - Bajo ninguna circunstancia podrá modificar el diseño del accesorio sin el permiso del fabricante. No utilice un accesorio que parezca haber sido modificado por otras personas y utilice siempre los accesorios originales. Las modificaciones o accesorios no autorizados pueden provocar daños personales o la muerte del operador u otras personas.
  - La sobreexposición a las vibraciones puede producir trastornos vasculares o nerviosos en personas que padecen de trastornos circulatorios. Póngase en contacto con su médico si experimenta síntomas de la sobreexposición a las vibraciones. Estos síntomas son entumecimiento, pérdida de sensibilidad, hormigueo, ardor, dolor, pérdida de fuerza, cambios en el color o el estado de la piel. Normalmente, estos síntomas se presentan en los dedos, manos o muñecas. Estos síntomas pueden empeorar con bajas temperaturas.
- ## Otra información de seguridad
- Evite las zonas peligrosas: no utilice los aparatos en lugares húmedos o mojados.
  - No los utilice bajo la lluvia.
  - Mantenga a los niños alejados: se debe mantener alejados a todos los visitantes de la zona de trabajo.
  - Utilice la indumentaria adecuada: no use ropa suelta ni joyas. Pueden quedarse atrapadas en las piezas móviles. Se recomienda el uso de guantes de goma y calzado resistente cuando se trabaja en exteriores. Use un gorro protector para contener el pelo largo.
  - Uso de antiparras: utilice siempre protección facial o máscara contra polvo si la operación genera polvo.
  - Utilice el aparato de forma adecuada: no utilice el aparato para ningún trabajo que no sea el previsto.
  - Evite los arranques accidentales: no transporte el aparato conectado con el dedo sobre el interruptor. Asegúrese de que el interruptor esté apagado antes de conectarlo.
  - No fuerce el aparato: obtendrá mejores resultados y menos probabilidades de sufrir lesiones si lo utiliza a la velocidad para la que fue diseñado.
  - No se estire demasiado: mantenga una posición y un equilibrio adecuados en todo momento.
  - Manténgase alerta: observe lo que hace. Utilice el sentido común. No utilice el aparato si está cansado.
  - Almacene los aparatos inactivos en espacios cerrados: cuando no se utilicen, los aparatos se deben almacenar en espacios cerrados, secos, altos o con llave, fuera del alcance de los niños.
  - Manipule el aparato con cuidado: mantenga afilado y limpio el borde cortante para obtener un mejor rendimiento y reducir el riesgo de lesiones. Siga las instrucciones de lubricación y cambio de accesorios. Mantenga los mangos secos, limpios y sin grasa ni aceite.
  - Revise las piezas dañadas: antes de volver a utilizar el aparato, se debe revisar minuciosamente una protección u otra pieza que presente daños para determinar si funciona correctamente y si sirve para su función prevista. Revise la alineación de las piezas móviles, las uniones de piezas móviles, la

rotura de piezas, el montaje y cualquier otra condición que pueda afectar su funcionamiento. Un centro de servicio autorizado debe reparar adecuadamente o reemplazar una protección u otra pieza que presente daños, a menos que en este manual se indique otro lugar.

## Instrucciones de seguridad para el funcionamiento



**ADVERTENCIA:** Lea atentamente las instrucciones de advertencia siguientes antes de usar el producto.

- Solo utilice el producto para las operaciones que se describen en este manual. Consulte *Uso previsto en la página 13*.
- No utilice el producto si no está seguro de que es capaz de utilizarlo.
- No utilice este producto si está enfermo, o si consume alcohol, drogas o medicamentos. Esto puede disminuir su visión, su capacidad de discernimiento o su coordinación.
- No utilice el producto si no puede recibir ayuda en caso de un accidente.
- Asegúrese de que el equipo de corte siempre se detenga cuando el motor se encuentre en régimen de ralentí.
- Asegúrese de que nadie se aproxime a menos de 15 m/50 pies cuando realice cortes. Asegúrese de que solo las personas autorizadas estén en la zona de trabajo.
- Mantenga el área de trabajo limpia y despejada. No utilice el producto en condiciones meteorológicas adversas, por ejemplo, en caso de niebla, lluvia intensa, vientos fuertes, frío intenso o riesgo de relámpagos.
- Si algo se atasca en las cuchillas durante el funcionamiento, detenga el motor y espere hasta que las cuchillas dejen de moverse. Quite el sombrerete de bujía de la bujía o quite la batería. Inserte la llave combinada en la cavidad de la caja de engranajes para mover las cuchillas, consulte *Para afilar las cuchillas en la página 21*.
- Si las cuchillas se dañan durante el funcionamiento, la cuchilla superior y la inferior pueden quedar atascadas entre sí. No toque las cuchillas, ya que pueden moverse repentinamente y causar lesiones.
- El producto puede hacer que los objetos salgan eyectados a alta velocidad. Asegúrese de que todas las personas en el área de trabajo utilicen equipos de protección personal aprobados. Retire los objetos sueltos del área de trabajo.
- Supervise el área de trabajo cuando utilice protectores auriculares. Siempre retire sus protectores auriculares cuando se detenga el motor.
- Si el producto presenta vibraciones inusuales, detenga el motor. Si se trata de un producto que funciona con gasolina, quite el sombrerete de bujía

de la bujía. Si se trata de un producto que funciona con baterías, quite la batería. Revise de inmediato para encontrar la causa. La vibración suele ser una advertencia de daños.

- No se aleje del producto cuando el motor esté en marcha.
- Sostenga el producto con ambas manos. Mantenga el producto a la derecha de su cuerpo. Utilice el producto con el equipo de corte por debajo de la cintura.



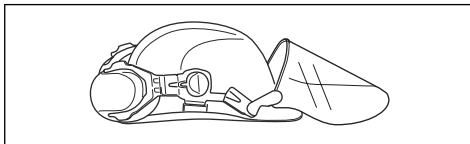
- El equipo de corte debe usarse en dirección opuesta al operador. Cortar en la dirección en la que se encuentra el operador puede causar daños graves.
- Asegúrese de que las manos y los pies no se acerquen a las cuchillas cuando el motor esté en marcha.

## Equipo de protección personal



**ADVERTENCIA:** Lea atentamente las instrucciones de advertencia siguientes antes de usar el producto.

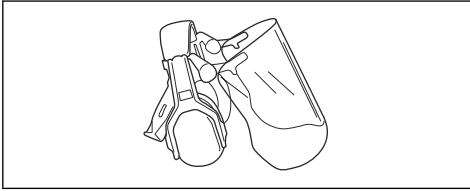
- Utilice siempre el equipo de protección personal adecuado cuando use el producto. El equipo de protección personal no puede impedir el riesgo de lesiones, pero disminuirá el grado de lesión si ocurre un accidente. Permita que su distribuidor le ayude seleccionar el equipo adecuado.
- Utilice un casco protector cuando exista el riesgo de caída de objetos.



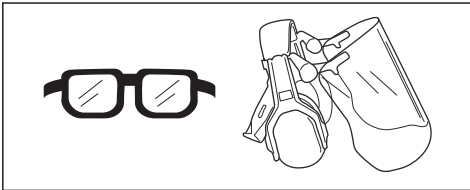
- La exposición prolongada al ruido puede causar la pérdida de la audición. En general, los productos con alimentación mediante batería son relativamente silenciosos, pero pueden producir daños por medio de una combinación entre el nivel de ruido y el uso prolongado. Husqvarna recomienda que los operadores utilicen protectores auriculares cuando utilicen productos durante días enteros. Los usuarios



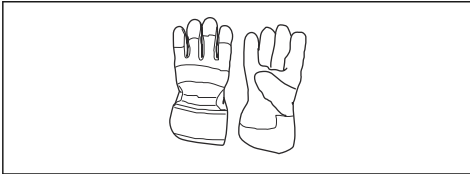
recurrentes y habituales deben procurar acudir a exámenes auditivos con regularidad. Tenga en cuenta que los protectores auriculares limitan la capacidad de escuchar sonidos y señales de advertencia.



- Use protección ocular homologada. Si utiliza un visor, también debe usar gafas protectoras homologadas. Las gafas protectoras homologadas deben cumplir con la norma ANSI Z87.1 de EE. UU. o con EN 166 en los países de la UE.



- Utilice guantes cuando sea necesario, por ejemplo, cuando examine o limpie el producto.

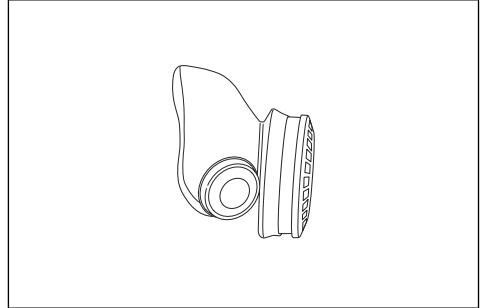


- Utilice botas o zapatos de protección con suelas antideslizantes.



- Utilice ropa de material resistente. Use siempre pantalones largos y gruesos, y mangas largas. Evite usar ropas holgadas que se puedan enganchar con ramas. No trabaje con joyas, pantalones cortos, calzado con aberturas ni con los pies descalzos. Ate su cabello por encima de sus hombros.

- Utilice una protección respiratoria cuando haya riesgo de polvo.



- Mantenga un equipo de primeros auxilios a mano.



## Dispositivos de seguridad en el accesorio



**ADVERTENCIA:** Lea cuidadosamente las siguientes instrucciones de advertencia antes de usar el accesorio.

En esta sección se describen las características de seguridad del accesorio y su propósito y cómo deben llevarse a cabo las comprobaciones y el mantenimiento para asegurarse de que funciona correctamente. Consulte las instrucciones bajo el título *Descripción general del equipo de corte en la página 13* para ver dónde están situadas estas piezas en el accesorio.

La vida útil del accesorio se puede reducir y el riesgo de accidentes puede aumentar si el mantenimiento del accesorio no se realiza correctamente y si el servicio o las reparaciones no se llevan a cabo de forma profesional. Si necesita más información, comuníquese con su taller de servicio más cercano.



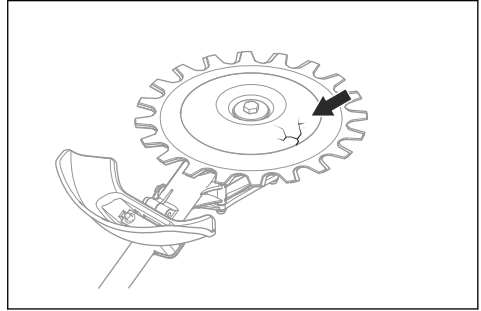
**ADVERTENCIA:** No utilice nunca un accesorio con componentes de seguridad defectuosos. El equipo de seguridad del accesorio se debe inspeccionar y mantener tal como se describe en esta sección. Si el accesorio no pasa exitosamente alguna de estas comprobaciones, póngase en contacto con el taller de servicio para que lo reparen.



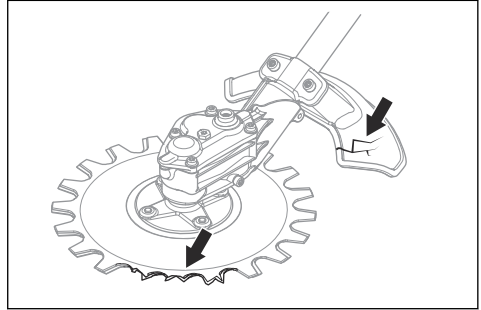
**ADVERTENCIA:** Todos los trabajos de mantenimiento y reparación del producto requieren una formación especial. Esto aplica especialmente al equipo de seguridad

del producto. Si el producto no pasa exitosamente alguna de las comprobaciones indicadas a continuación, póngase en contacto con el taller de servicio. La compra de alguno de nuestros productos le garantiza la disponibilidad de mantenimiento y servicio profesionales. Si el comerciante que vende el producto no es un concesionario de servicio, pídale la dirección del taller de servicio más cercano.

6. Asegúrese de que la cazoleta de apoyo no presente daños. Reemplácela si está dañada.



7. Asegúrese de que los tornillos del equipo de corte estén apretados.
8. Asegúrese de que las cuchillas y la protección del equipo de corte no presenten daños. Cambie las partes dañadas.



## Instrucciones de seguridad para el mantenimiento



**ADVERTENCIA:** El equipo de corte puede seguir girando después de soltar el acelerador o el gatillo de alimentación. Si se trata de un producto que funciona con gasolina, quite el sombrerete de bujía de la bujía. Si se trata de un producto que funciona con baterías, quite la batería del producto. Asegúrese de que el equipo de corte se haya detenido completamente antes de realizar tareas de mantenimiento.



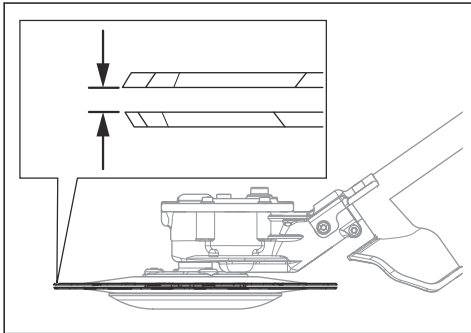
**ADVERTENCIA:** La caja de engranajes se calienta durante el funcionamiento del producto. Las superficies calientes le pueden ocasionar quemaduras, por ende, se recomienda que no toque la caja de engranajes.

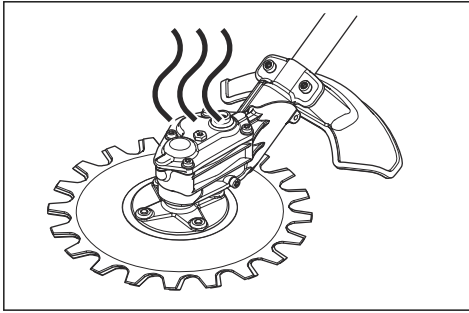
## Para revisar el equipo de corte y la protección del equipo de corte



**ADVERTENCIA:** No utilice un equipo de corte sin una protección aprobada. Si se instala una protección del equipo de corte incorrecta o defectuosa, puede provocar lesiones.

1. Detenga el motor y asegúrese de que el equipo de corte se detenga.
2. Si se trata de un producto que funciona con gasolina, quite el sombrerete de bujía de la bujía. Si se trata de un producto que funciona con baterías, quite la batería del producto.
3. Utilice guantes protectores.
4. Asegúrese de que las cuchillas no estén dañadas. Reemplace las cuchillas si están dañadas. *Para sustituir las hojas en la página 22.*
5. Examine las hojas. Asegúrese de que no haya separación entre las cuchillas. Si existe una separación entre las cuchillas, estas se deben ajustar. Consulte *Para ajustar la separación entre las cuchillas en la página 22.*





- Siempre utilice guantes para trabajo pesado cuando repare el equipo de corte. El equipo de corte es muy afilado y puede provocar cortes fácilmente.
- Utilice únicamente piezas de repuesto originales para las reparaciones.

# GUARDE ESTAS INSTRUCCIONES

## Funcionamiento

### Técnica de trabajo



**ADVERTENCIA:** Las ramas o el césped pueden quedar atrapados entre el equipo de corte y su protección. Siempre detenga el motor antes de limpiar el equipo de corte.

- Utilice la aceleración o velocidad máxima cuando corte y disminuya a régimen de ralentí después de cada corte.

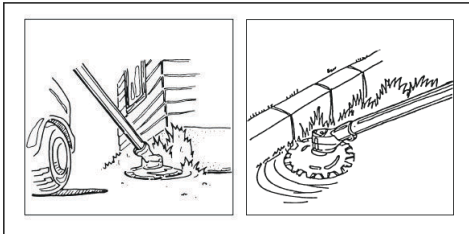


**AVISO:** El motor puede sufrir daños si funciona durante demasiado tiempo en aceleración máxima sin carga.

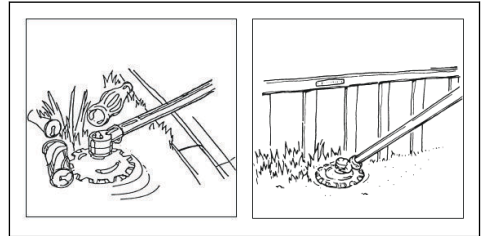
### Uso recomendado del equipo de corte

Las cuchillas del equipo de corte se mueven en un ángulo pequeño y pueden realizar cortes en todas las direcciones. Mueva el equipo de corte por el suelo a una altura en que la cazoleta de apoyo toque el suelo. Utilice el equipo de corte para cortar en:

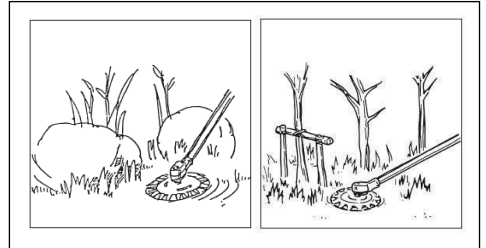
- Zonas de parques y orillas de caminos.



- Orillas de caminos y vallas cercanas.



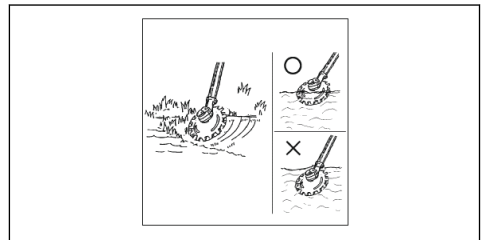
- Alrededor de piedras y árboles.



- Cerca del agua.



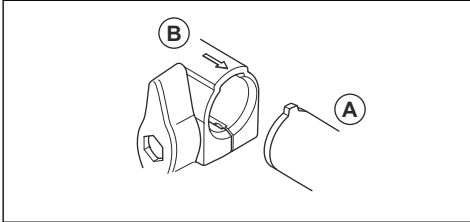
**AVISO:** No sumerja en agua la caja de engranajes.



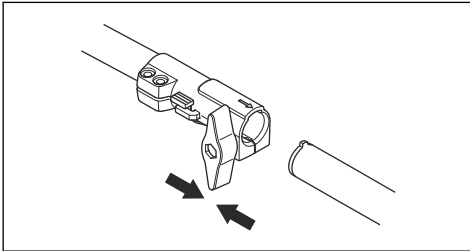
## Montaje

### Montaje del eje de dos piezas

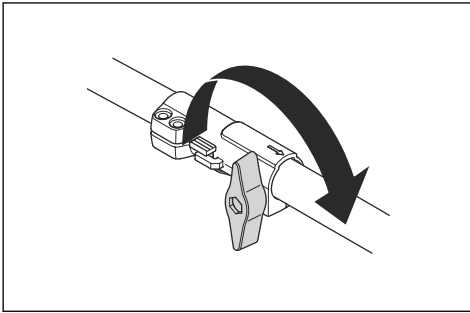
1. Gire la perilla para aflojar el acoplamiento.
2. Alinee la lengüeta del equipo de corte (A) con la flecha en el acoplamiento (B).



3. Empuje cuidadosamente el eje en el acoplamiento hasta que se escuche un clic.

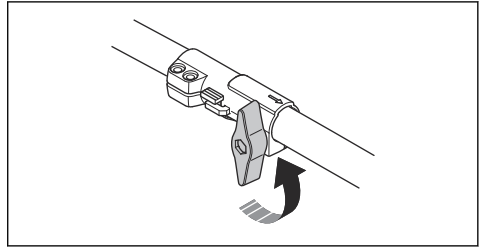


4. Apriete la perilla hasta el fondo.

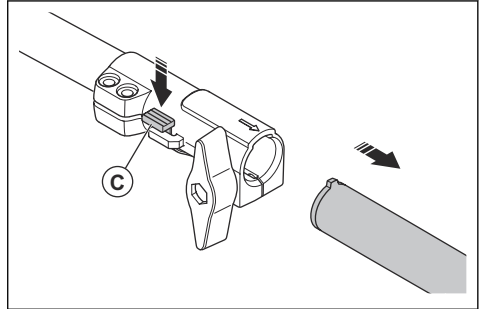


### Para desmontar el eje de dos piezas

1. Gire la perilla unas 3 vueltas o más para aflojar el acoplamiento.



2. Mantenga presionado el botón (C).
3. Apriete fuertemente hacia abajo el extremo del eje al que está conectado el motor.
4. Tire del accesorio para sacarlo del acoplamiento.



## Mantenimiento

### Introducción

A continuación encontrará algunas instrucciones generales de mantenimiento. Si necesita más información, comuníquese con su taller de servicio.

### Programa de mantenimiento

A continuación, se presenta una lista de pasos de mantenimiento que se deben realizar en el equipo de corte.

**Tenga en cuenta:** El operador solo debe realizar el mantenimiento y el servicio al equipo de corte que se indica en este manual de usuario. Otras tareas de mantenimiento y de servicio se deben realizar en un taller de servicio autorizado.

Mantenimiento	Diario	Una vez por semana	Una vez al mes
Limpie las partes exteriores del producto.	X		
Asegúrese de que las cuchillas no estén dañadas. Reemplace las cuchillas si están dañadas.	X		
Asegúrese de que la protección del equipo de corte no esté dañada. Reemplace la protección del equipo de corte si está dañada.	X		
Asegúrese de que la cazoleta de apoyo no presente daños. Reemplácela si está dañada.	X		
Asegúrese de que las tuercas y los tornillos estén apretados.	X		
Llene la caja de engranajes con grasa, aproximadamente cada 100 horas de trabajo.		X	

## Para limpiar y lubricar las hojas

1. Retire materiales no deseados de las hojas antes y después de utilizar el producto.
2. Lubrique las cuchillas antes de períodos prolongados de almacenamiento.

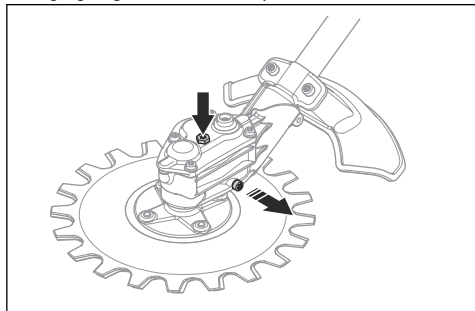
**Tenga en cuenta:** Comuníquese con su taller de servicio para obtener más información sobre los agentes de limpieza y lubricantes recomendados.

## Para lubricar la caja de engranajes



**AVISO:** No llene la caja de engranajes completamente. Si la caja de engranajes está llena, la grasa puede provocar daños a los sellos y ocasionar fugas.

1. Quite los tapones de engrase.
2. Agregue grasa al orificio superior.



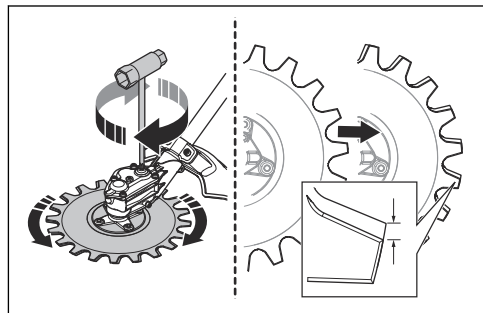
3. Instale los tapones de engrase.

## Para afilar las cuchillas

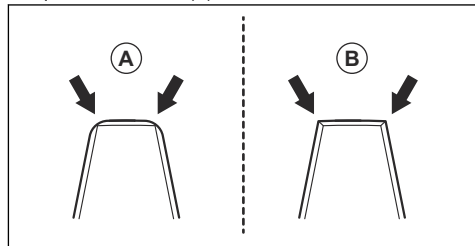


**ADVERTENCIA:** Utilice guantes protectores cuando sostenga las cuchillas.

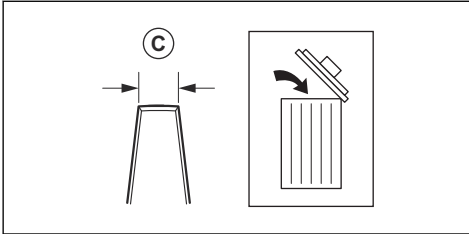
1. Coloque la llave combinada en la cavidad de la caja de engranajes.
2. Gire la llave combinada hasta que quede una diferencia de 3 mm/0,12" entre la cuchilla superior y la cuchilla inferior.



3. Afile con una amoladora los bordes (B) a los que pueda acceder. Asegúrese de que los bordes no queden redondos (A).



- Gire la llave combinada en la dirección opuesta para acceder a los bordes opuestos.
- Afile con una amoladora los bordes a los que pueda acceder.
- Reemplace las cuchillas cuando el ancho del diente sea inferior a 8 mm/0,32" (C).



## Para sustituir las hojas



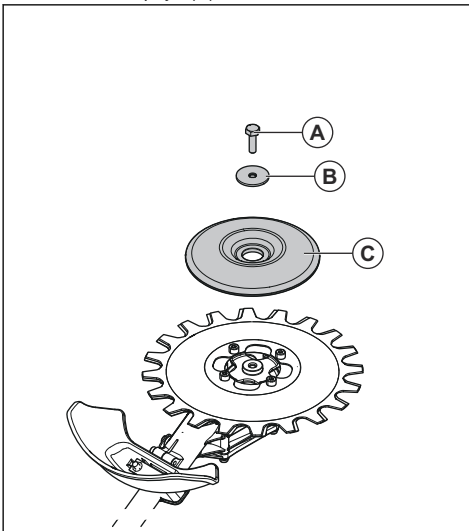
**ADVERTENCIA:** Utilice guantes protectores cuando sostenga las cuchillas.



**ADVERTENCIA:** Para evitar desestabilizaciones y vibraciones del producto, limpie el equipo de corte cuando reemplace las cuchillas.

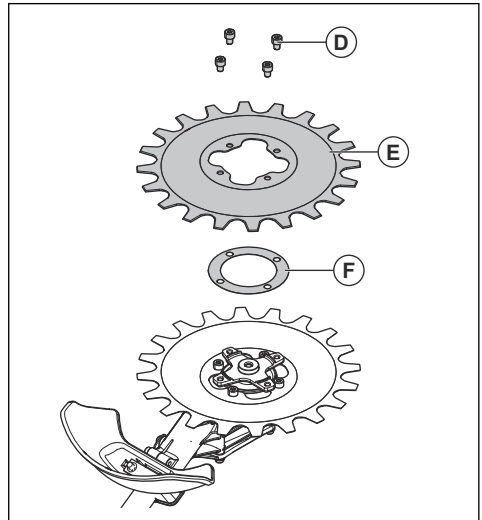
**Tenga en cuenta:** Las cuchillas son intercambiables.

- Quite el tornillo central (A), la arandela (B) y la cazoleta de apoyo (C).

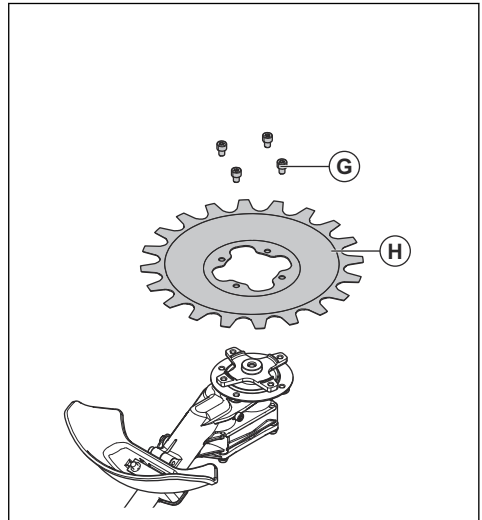


**Tenga en cuenta:** El tornillo central tiene un enrosque hacia la izquierda.

- Quite los 4 tornillos (D), la cuchilla inferior (E) y la cuña (F).



- Quite los 4 tornillos (G) y la cuchilla superior (H).



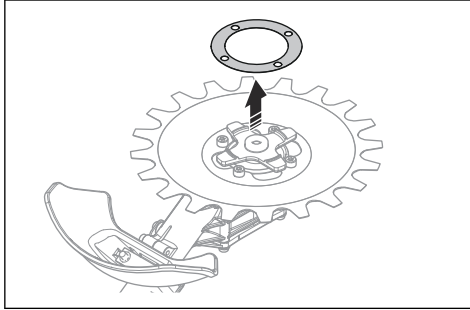
- Instale las cuchillas en la secuencia opuesta. Apriete los tornillos de la misma manera cuando instale las cuchillas.

## Para ajustar la separación entre las cuchillas



**ADVERTENCIA:** Utilice guantes protectores cuando sostenga las cuchillas.

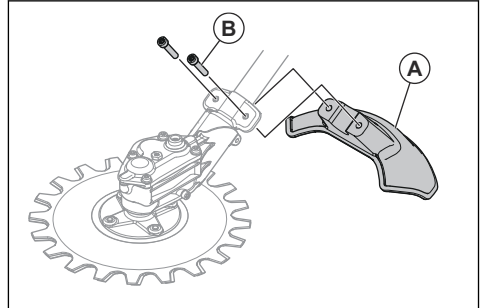
1. Retire la cuchilla inferior, consulte *Para sustituir las hojas en la página 22*.
2. Retire la cuña.



**Tenga en cuenta:** Guarde la cuña hasta que se reemplacen las cuchillas.

3. Instale la cuchilla inferior. Apriete los tornillos de la misma manera cuando instale las cuchillas.

- Quite los 2 tornillos (B) y la protección del equipo de corte (A).
- Instale la nueva protección del equipo de corte (A) con 2 tornillos (B). Apriete los tornillos de la misma manera.



## Para reemplazar la protección del equipo de corte



**ADVERTENCIA:** Utilice guantes protectores cuando sostenga las cuchillas

## Transporte, almacenamiento y eliminación de residuos

### Transporte y almacenamiento

- Asegúrese de que la protección para transportes esté correctamente instalada en el equipo de corte cuando el producto no se esté utilizando, se esté transportando o esté almacenado.
- Mantenga el equipo de corte en un área cerrada para evitar que los niños u otras personas sin autorización puedan acceder a él.

- Para evitar daños y accidentes, fije de manera segura el equipo de corte durante su transporte.
- Asegúrese de que el equipo de corte esté limpio y de que se realice un mantenimiento completo antes de un almacenamiento prolongado.

## Datos técnicos

### Datos técnicos

<b>RA850</b>	
<b>Peso</b>	
Peso, lb/kg	5,5/2,5
<b>Cuchillas</b>	
Diámetro, pulg./mm	9/230
Velocidad de la hoja, cortes/min	4600

# Table des matières

Introduction.....	24	Entretien.....	31
Sécurité.....	26	Transport, entreposage et mise au rebut.....	34
Fonctionnement.....	30	Données techniques.....	34
Montage.....	31		

## Introduction

### Utilisation prévue



**AVERTISSEMENT:** L'équipement de coupe ne doit être utilisé qu'avec des produits compatibles. Se reporter au manuel d'utilisation du produit.

L'équipement de coupe sert à couper l'herbe et les brindilles.

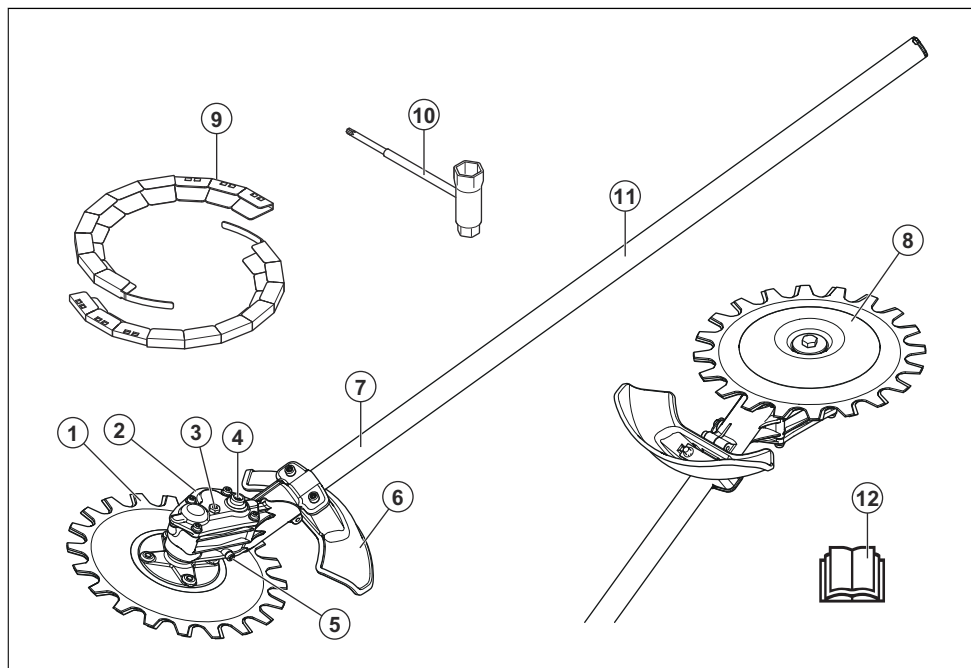
**Remarque :** Les réglementations nationales peuvent limiter l'utilisation du produit.

### Description du produit

Nous avons une politique de développement continu et nous réservons donc le droit de modifier la conception et l'apparence des produits sans préavis.

**Remarque :** Ce manuel traite des unités motrices à essence et des unités électriques alimentées par batterie.

### Aperçu de l'équipement de coupe



- |                                   |   |
|-----------------------------------|---|
| 1. Lame                           | 4. Douille pour déplacer les lames manuellement |
| 2. Carter                         | 5. Bouchon de graissage inférieur               |
| 3. Bouchon de graissage supérieur | 6. Dispositif de protection de l'outil de coupe |



- 7. Arbre
- 8. Bol de garde au sol
- 9. Protection de transport
- 10. Clé à usages multiples
- 11. Autocollant d'information et d'avertissement
- 12. Manuel d'utilisation

## Symboles sur l'équipement et sur l'unité motrice



Si l'outil est utilisé de manière insouciant ou non appropriée, cela pourrait causer des blessures graves voire mortelles pour l'utilisateur ou pour d'autres personnes.



Lire attentivement le manuel d'utilisation et veiller à bien comprendre les directives avant d'utiliser l'accessoire.



Utiliser un casque de protection dans les endroits où des objets peuvent tomber sur vous. Utiliser un dispositif de protection homologué pour les oreilles. Utiliser un dispositif de protection homologué pour les yeux.



Toujours porter des gants de protection homologués.



Porter des bottes antidérapantes robustes.



Nombre maximal de coupes par minute.



Les flèches indiquent les limites de position du guidon.



L'appareil peut projeter des objets, ce qui peut causer des blessures.



Tenir les personnes et les animaux à une distance minimale de 15 m (50 pi) pendant l'utilisation de l'appareil.



15 m  
50 FT

L'utilisateur doit s'assurer qu'aucune personne ou aucun animal ne s'approche à moins de 15 mètres. Lorsque plusieurs utilisateurs travaillent sur le même lieu de travail, il faut garder une distance de sécurité d'au moins 15 mètres. L'outil peut projeter violemment des objets qui peuvent rebondir. Cela peut provoquer des lésions oculaires graves si l'équipement de sécurité recommandé n'est pas utilisé.

yyyywwxxxx

L'étiquette du numéro de série indique le numéro de série. **yyyy** représente l'année de production et **ww** indique la semaine de production.

**Remarque :** Les autres symboles et autocollants apposés sur l'outil se rapportent aux exigences en matière de certification pour certains marchés.

## Proposition 65 de la Californie

### ATTENTION!

Les émissions du moteur de cet outil contiennent des produits chimiques qui, d'après l'État de Californie, peuvent causer le cancer, des malformations congénitales ou autre danger pour la reproduction.

# IMPORTANTES CONSIGNES DE SÉCURITÉ

## Définitions relatives à la sécurité

Les avertissements, recommandations et remarques soulignent des points du manuel d'utilisation qui revêtent une importance particulière.



**AVERTISSEMENT :** Indique la présence d'un risque de blessure ou de décès de l'utilisateur ou de personnes à proximité si les instructions du manuel ne sont pas suivies.



**MISE EN GARDE :** Indique la présence d'un risque de dommages au produit ou à l'outil, à d'autres appareils ou à la zone adjacente si les instructions du manuel ne sont pas suivies.

**Remarque :** Utilisé pour donner des renseignements plus détaillés qui sont nécessaires dans une situation donnée.

## Lire toutes les instructions



**AVERTISSEMENT :** Lors de l'utilisation d'appareils de jardinage électriques, toujours respecter les règles de sécurité de base afin de réduire les risques d'incendie, d'électrocution et de blessure, dont les règles suivantes :

## Consignes générales de sécurité



**AVERTISSEMENT :** Lire les instructions de sécurité qui suivent avant d'utiliser l'outil.

- Lire attentivement le manuel de l'opérateur et s'assurer de bien comprendre les instructions avant d'utiliser l'outil.
- Ces instructions complètent les instructions fournies avec le produit. Pour d'autres procédures, se reporter aux instructions d'utilisation du produit.
- La conception de l'outil ne peut en aucun cas être modifiée sans l'autorisation du fabricant. Ne pas utiliser un outil qui semble avoir été modifié par d'autres, et toujours utiliser des accessoires d'origine. Les modifications et les accessoires non autorisés peuvent engendrer des blessures graves ou la mort de l'utilisateur ou d'autres personnes.
- La surexposition aux vibrations peut engendrer des problèmes circulatoires ou des troubles nerveux, en particulier chez les personnes ayant des troubles circulatoires. En cas de symptômes liés à une surexposition aux vibrations, consulter un médecin. Voici certains de ces symptômes : engourdissement, perte de sensibilité, fourmillement, picotement, douleur, faiblesse musculaire, décoloration ou modification de l'épiderme. Ces symptômes apparaissent normalement aux doigts, aux mains et aux poignets. Ces symptômes peuvent être accentués par le froid.

## Autres renseignements relatifs à la sécurité

- Éviter les environnements dangereux – ne pas utiliser d'appareils dans des endroits humides ou mouillés.
- Ne pas utiliser sous la pluie.
- Tenir à l'écart des enfants : tous les visiteurs doivent être tenus à bonne distance de la zone de travail.
- S'habiller convenablement – ne jamais porter de vêtements amples ou de bijoux. Ils peuvent se coincer dans les pièces mobiles. Il est recommandé de porter des gants en caoutchouc et des chaussures robustes pour travailler à l'extérieur. Le cas échéant, portez un couvre-chef pour couvrir les cheveux longs.
- Porter des lunettes de sécurité – toujours porter un masque à poussière en cas d'utilisation de l'appareil en milieu poussiéreux.
- Utiliser le bon appareil – ne pas utiliser un appareil pour une autre tâche que celle à laquelle il est destiné.
- Prévenir les démarrages accidentels – ne pas laisser le doigt sur la gâchette d'un appareil branché lors de son transport. S'assurer que l'interrupteur est en position d'arrêt lors du branchement.
- Ne pas forcer l'appareil – il offre de meilleurs résultats et le travail est effectué de façon plus sécuritaire s'il tourne au régime pour lequel il a été conçu.
- Ne pas se pencher trop en avant – garder l'équilibre et un bon appui au sol en tout temps.
- Rester vigilant – être conscient de ce que l'on fait. Faire preuve de bon sens Ne pas faire fonctionner l'appareil lorsqu'on est fatigué.
- Ranger les appareils inutilisés à l'intérieur – lorsqu'ils ne sont pas utilisés, les appareils doivent être rangés à l'intérieur, dans un endroit sec et en hauteur ou verrouillé, hors de portée des enfants.
- Entretien l'appareil avec soin – garder l'arête de coupe bien affûtée et propre pour obtenir des

performances optimales et réduire les risques de blessures. Respecter les instructions concernant la lubrification et le changement des accessoires.

Garder les poignées sèches, propres et exemptes d'huile et de graisse.

- Vérifier les pièces endommagées – avant toute utilisation de l'appareil, il convient de vérifier soigneusement qu'une protection ou toute autre pièce endommagée fonctionne correctement et remplit sa fonction prévue. Vérifier l'alignement des pièces mobiles, le grippage des pièces mobiles, la rupture de pièces, le montage et tout autre état susceptible de nuire à son fonctionnement. Une protection ou toute autre pièce endommagée doit être réparée ou remplacée adéquatement par un centre d'entretien autorisé, sauf indication contraire dans ce manuel.

## Consignes de sécurité pour l'utilisation

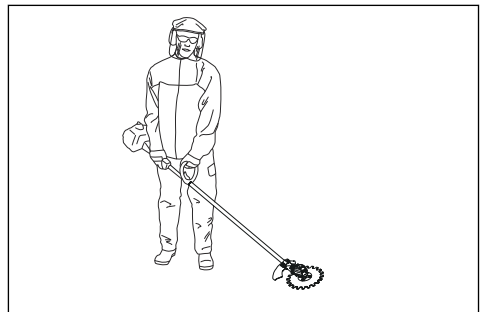


**AVERTISSEMENT:** Lire les messages d'avertissement qui suivent avant d'utiliser l'appareil.

- Utiliser le produit seulement pour les applications décrites dans le présent manuel. Se reporter à la section *Utilisation prévue à la page 24*.
- Ne pas utiliser le produit si vous n'êtes pas sûr de pouvoir l'utiliser.
- Ne pas utiliser l'outil en cas de maladie ou sous l'emprise de l'alcool, de drogues ou de médicaments. Cela peut diminuer l'acuité visuelle, le jugement ou la coordination.
- Ne pas utiliser l'outil s'il n'est pas possible d'obtenir de l'aide en cas d'accident.
- Vérifier que l'équipement de coupe ne tourne pas lorsque le moteur tourne au ralenti.
- S'assurer que personne ne s'approche à moins de 15 m lors de la coupe. S'assurer que seules les personnes approuvées se trouvent dans la zone de travail.
- Maintenir la zone de travail propre et bien éclairée. Ne pas utiliser le produit par mauvais temps, par exemple dans le brouillard, sous la pluie, par vents forts, en cas de froid intense ou en présence d'un risque de foudre.
- Si un objet se coince dans les lames pendant le fonctionnement, arrêter le moteur et attendre que les lames cessent de bouger. Retirer le chapeau de bougie de la bougie ou retirer la batterie. Placer la clé mixte dans la douille du carter pour déplacer les lames, voir *Pour affûter les lames à la page 32*.
- Si les lames sont endommagées pendant le fonctionnement, la lame supérieure et la lame inférieure peuvent se coincer l'une avec l'autre. Ne pas toucher les lames, car elles peuvent se déplacer soudainement et provoquer des blessures.
- Le produit peut projeter des objets à grande vitesse. S'assurer que toutes les personnes se trouvant dans la zone de travail utilisent un équipement de

protection individuel approuvé. Retirer les matériaux lâches de la zone de travail.

- Surveiller la zone de travail lorsque vous portez des protecteurs d'oreille. Toujours enlever le dispositif de protection pour les oreilles dès que le moteur s'arrête.
- Si le produit présente des vibrations inhabituelles, arrêter le moteur. Si le produit fonctionne à l'essence, retirer le chapeau de bougie de la bougie. Si le produit fonctionne à batterie, retirer la batterie. Rechercher immédiatement la cause du problème. Les vibrations indiquent généralement l'existence de dommages.
- Ne pas s'éloigner du produit lorsque le moteur tourne.
- Tenir l'outil avec les deux mains. Tenir le produit sur le côté droit du corps. Utiliser le produit en plaçant l'outil de coupe sous la taille.



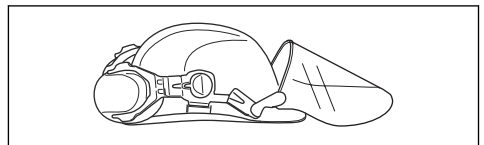
- L'équipement de coupe doit couper dans le sens opposé à l'opérateur. La coupe dans le sens de l'opérateur peut entraîner des blessures graves.
- Lorsque le moteur est en marche, garder les mains et les pieds à l'écart des lames.

## Équipement de protection personnelle

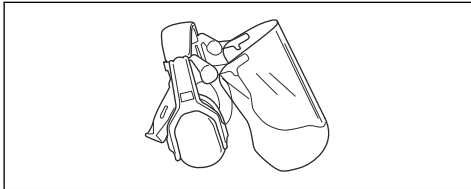


**AVERTISSEMENT:** Lire les messages d'avertissement qui suivent avant d'utiliser l'appareil.

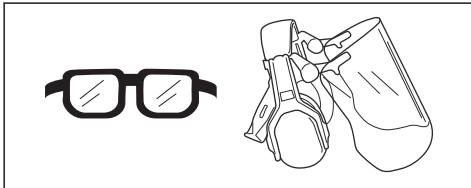
- Toujours utiliser un équipement de protection personnelle homologué lors de l'utilisation de l'appareil. Cet équipement de protection personnelle n'élimine pas complètement les risques de blessures, mais il peut en réduire la gravité en cas d'accident. Laisser le concessionnaire vous aider à sélectionner l'équipement adéquat.
- Porter un casque de protection en cas de risque de chute d'objets.



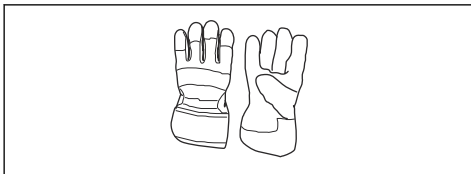
- L'exposition prolongée au bruit peut causer des lésions auditives. En règle générale, les outils alimentés par batterie sont relativement silencieux, mais peuvent tout de même causer des lésions auditives en raison d'une combinaison de niveau sonore et d'un usage prolongé. Husqvarna recommande aux utilisateurs d'utiliser des protecteurs d'oreille lors de l'utilisation des produits pendant des périodes prolongées dans une journée. Les utilisateurs permanents et réguliers doivent faire vérifier régulièrement leur ouïe. Noter que les protecteurs d'oreille limitent la capacité d'entendre les sons et les signaux d'avertissement.



- Utiliser un dispositif de protection homologué pour les yeux. Porter également des lunettes de protection homologuées en cas d'utilisation d'une visière. Les lunettes de protection homologuées doivent être conformes à la norme ANSI Z87.1 aux États-Unis ou à la norme EN 166 dans les pays de l'Union européenne.



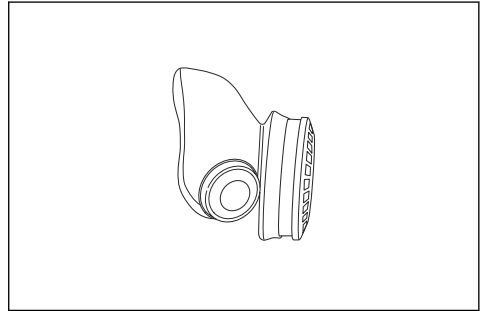
- Utiliser des gants au besoin, par exemple lors de l'examen ou du nettoyage du produit.



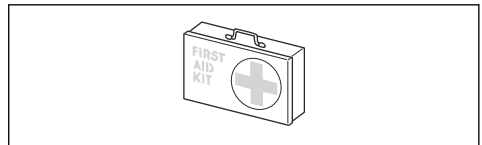
- Utiliser des bottes de protection ou des chaussures avec semelles antidérapantes.



- Utiliser des vêtements faits de tissus résistants. Toujours utiliser des pantalons longs et lourds et des manches longues. Ne pas porter des vêtements amples qui peuvent se prendre dans les broussailles et les branches. Ne pas porter des bijoux, des pantalons courts, des chaussures ouvertes et ne pas marcher pieds nus. Garder les cheveux au-dessus de vos épaules.
- Utiliser une protection respiratoire lorsqu'il y a un risque de poussière.



- Garder une trousse de premiers soins à portée de main.



## Dispositifs de sécurité sur l'outil



**AVERTISSEMENT:** Lisez les messages d'avertissement qui suivent avant d'utiliser l'outil.

Cette section décrit l'équipement de sécurité de l'outil, son usage et la façon d'en effectuer les inspections et l'entretien afin de s'assurer qu'il fonctionne correctement. Voir les instructions à la section *Aperçu de l'équipement de coupe à la page 24* pour savoir où se trouvent ces pièces sur votre outil.

La durée de vie de l'outil peut être réduite et le risque d'accident peut augmenter si l'entretien de l'outil n'est pas effectué correctement et si l'entretien ou les réparations ne sont pas effectués de façon professionnelle. Pour obtenir de plus amples informations, veuillez communiquer avec votre concessionnaire le plus proche.



**AVERTISSEMENT:** N'utilisez jamais un outil dont les composants de sécurité sont défectueux. L'équipement de sécurité de l'outil doit être inspecté et entretenu selon les directives de la présente section. Si une inspection de l'outil détecte une panne,

communiquiez avec un atelier spécialisé pour réparation.



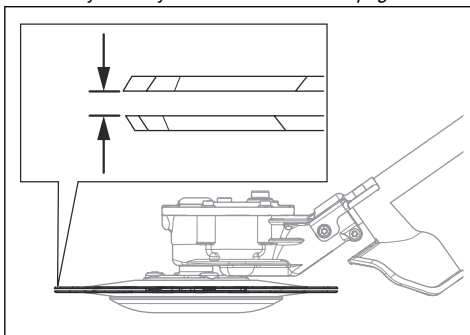
**AVERTISSEMENT:** Tous les travaux de réparation nécessitent une formation spéciale. Ceci concerne particulièrement l'équipement de sécurité du produit. Si les contrôles suivants ne donnent pas un résultat positif, on doit communiquer avec un atelier spécialisé. L'achat de l'un de nos produits offre à l'acheteur la garantie d'un service et de réparations qualifiés. Si le détaillant qui vous a vendu le produit n'est pas un centre de service agréé, demandez-lui l'adresse de l'atelier spécialisé le plus proche.

### Pour vérifier l'équipement de coupe et le protège-lame.

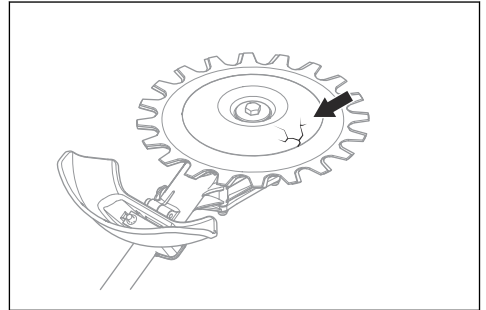


**AVERTISSEMENT:** Ne pas utiliser un outil de coupe dépourvu du dispositif de protection homologué. L'utilisation d'un protège-lame inapproprié ou défectueux peut causer des blessures.

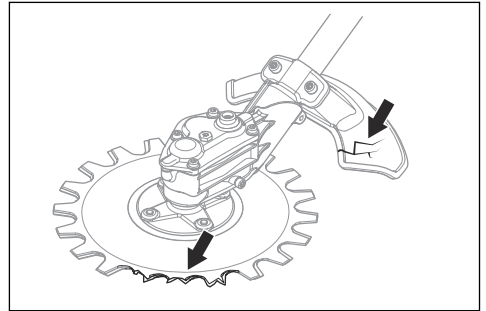
1. Arrêter le moteur et s'assurer que l'outil de coupe ne tourne pas.
2. Si le produit fonctionne à l'essence, retirer le chapeau de bougie de la bougie. Si le produit fonctionne à batterie, en retirer la batterie.
3. Enfiler des gants de protection.
4. S'assurer que les lames ne sont pas endommagées. Remplacer les lames si elles sont endommagées. Se reporter à la section *Pour remplacer les lames à la page 33*.
5. Vérifier les lames. S'assurer qu'il n'y a pas de jeu entre les lames. S'il y a un jeu entre les lames, les lames doivent être ajustées. Se reporter à la section *Pour ajuster le jeu entre les lames à la page 33*.



6. S'assurer que le bol de garde au sol n'est pas endommagé. Remplacer le bol de garde au sol s'il est endommagé.



7. S'assurer que les vis de l'équipement de coupe sont serrées.
8. Vérifier que les lames et le protège-lame ne sont pas endommagés. Remplacer les pièces endommagées.



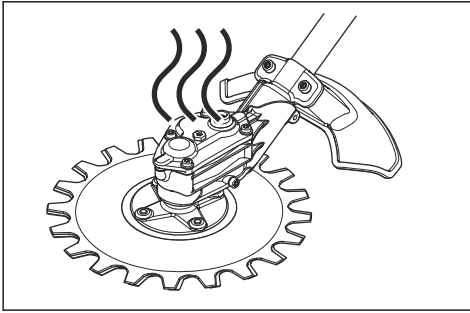
### Consignes de sécurité pour l'entretien



**AVERTISSEMENT:** L'équipement de coupe peut continuer de tourner après que la gâchette d'accélération ou de puissance ait été relâchée. Si le produit fonctionne à l'essence, retirer le chapeau de bougie de la bougie. Si le produit fonctionne à batterie, en retirer la batterie. S'assurer que l'équipement de coupe est complètement arrêté avant de procéder à l'entretien.



**AVERTISSEMENT:** Le carter devient chaud pendant le fonctionnement du produit. Les surfaces chaudes peuvent causer des brûlures; ne pas toucher le carter.



- Toujours porter des gants très résistants lors de la réparation de l'équipement de coupe. L'équipement de coupe est très tranchant et peut facilement causer des coupures.
- N'utiliser que des pièces de rechange d'origine pour les réparations.

## CONSERVER CES INSTRUCTIONS

### Fonctionnement

#### La technique de travail



**AVERTISSEMENT:** Les branches ou l'herbe peuvent se coincer entre le protège-lame et l'équipement de coupe. Toujours arrêter le moteur avant de nettoyer l'équipement de coupe.

- Faire tourner le moteur à plein régime ou à pleine vitesse lors de la coupe, puis réduire le régime moteur au ralenti après chaque coupe.

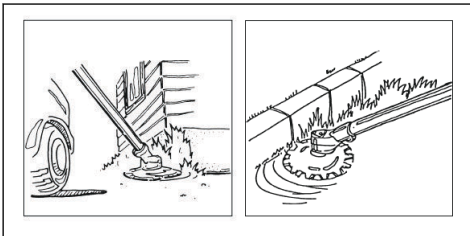


**MISE EN GARDE :** Le moteur peut être endommagé s'il tourne pendant trop longtemps à plein régime et sans charge.

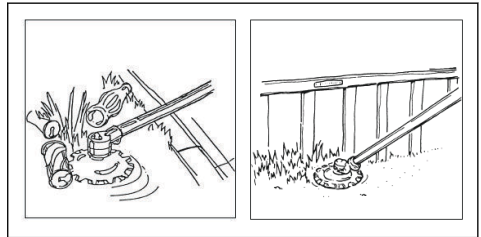
#### Utilisation recommandée de l'équipement de coupe

Les lames de l'équipement de coupe se déplacent à un faible angle et peuvent couper dans toutes les directions. Déplacer l'équipement de coupe le long du sol à une hauteur où le bol de garde au sol touche le sol. Utiliser l'équipement de coupe pour couper ce qui suit :

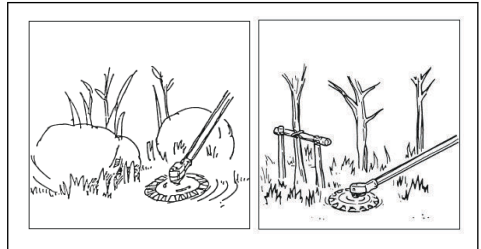
- Bordures des zones de stationnement et des routes



- Bordures de route et à proximité des clôtures.



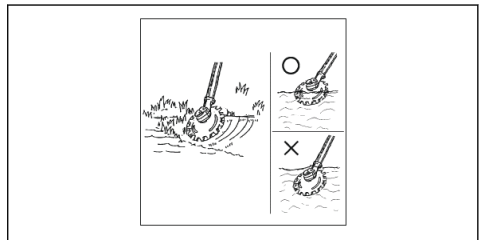
- Autour des pierres et des arbres.



- Près de l'eau.



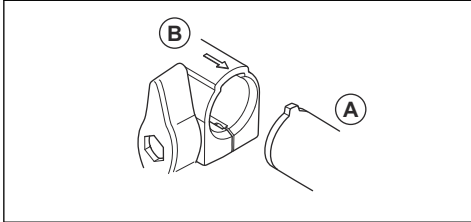
**MISE EN GARDE :** Ne pas mettre le carter dans l'eau.



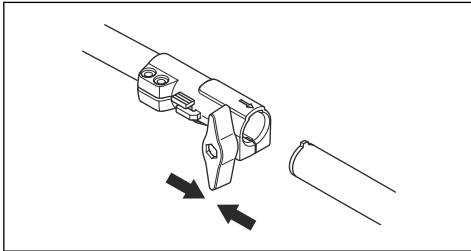
## Montage

### Pour assembler l'arbre en deux pièces

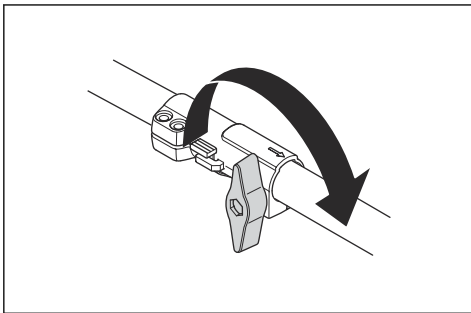
1. Tourner le bouton pour desserrer le raccord.
2. Aligner la languette de l'équipement de coupe (A) avec la flèche figurant sur le raccord (B).



3. Pousser avec précaution l'arbre dans le raccord jusqu'à ce que vous entendiez un déclic.

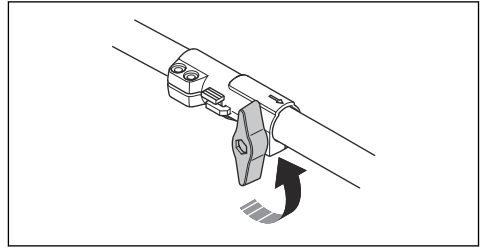


4. Serrer le bouton à fond.

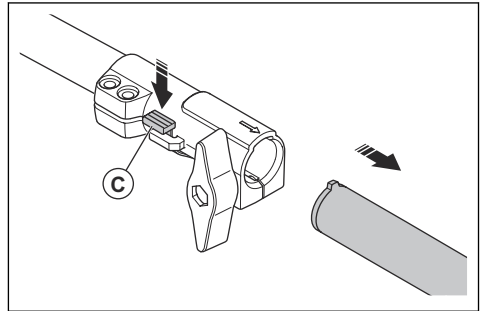


### Pour démonter l'arbre en deux pièces

1. Tourner le bouton de 3 tours ou plus pour desserrer le raccord.



2. Appuyer longuement sur le bouton (C).
3. Tenir fermement à l'extrémité de l'arbre rattachée au moteur.
4. Tirer l'outil bien droit pour l'extraire du raccord.



## Entretien

### Introduction

Vous trouverez ci-dessous quelques instructions d'entretien général. Pour obtenir des renseignements supplémentaires, communiquez avec votre atelier d'entretien.

### Calendrier d'entretien

Ci-dessous se trouve une liste d'étapes d'entretien qui doivent être effectuées sur l'équipement de coupe.

**Remarque :** L'opérateur doit effectuer uniquement l'entretien et les réparations de l'équipement de coupe qui est présenté dans ce manuel de l'opérateur. Tous les autres travaux d'entretien et de réparation doivent être effectués par un atelier d'entretien autorisé.

Entretien	Quotidien	Hebdo- madaire	Mensuel
Nettoyer les pièces externes de l'outil.	X		
S'assurer que les lames ne sont pas endommagées. Remplacer les lames si elles sont endommagées.	X		
Vérifier que le dispositif de protection de l'outil de coupe n'est pas endommagé. Remplacer le dispositif de protection s'il est endommagé.	X		
S'assurer que le bol de garde au sol n'est pas endommagé. Remplacer le bol de garde au sol s'il est endommagé.	X		
Vérifier que les vis et les écrous sont bien serrés.	X		
Remplir le carter de graisse environ toutes les 100 heures de fonctionnement.		X	

## Pour nettoyer et lubrifier les lames

1. Nettoyer les lames de tout matériau indésirable avant et après l'utilisation du produit.
2. Lubrifier les lames avant une longue période de remisage.

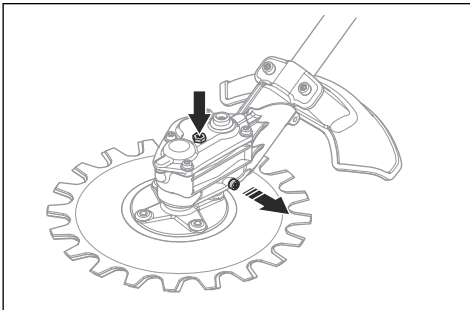
**Remarque :** Pour obtenir de plus amples renseignements sur les lubrifiants et les produits de nettoyage recommandés, communiquer avec votre centre de services.

## Pour lubrifier le carter d'engrenage



**MISE EN GARDE :** Ne pas remplir complètement le carter d'engrenage. Si le carter est plein, la graisse peut endommager les joints d'étanchéité et provoquer des fuites.

1. Retirer les bouchons de graissage.
2. Ajouter de la graisse dans le trou supérieur.



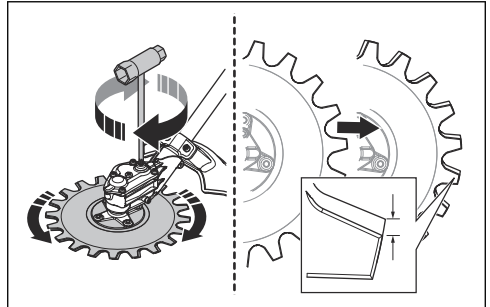
3. Installer les bouchons de graissage.

## Pour affûter les lames

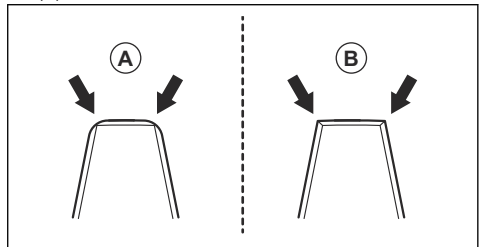


**AVERTISSEMENT:** Porter des gants de protection pour tenir les lames.

1. Placer la clé mixte dans la douille du carter.
2. Tourner la clé mixte jusqu'à ce qu'il y ait un écart de 3 mm (0,12 po) entre la lame supérieure et la lame inférieure.



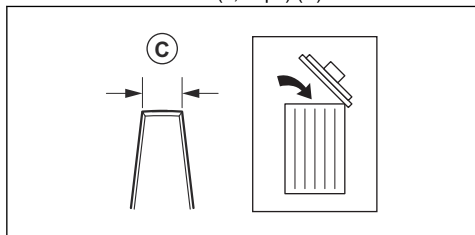
3. Affûter les tranchants (B) accessibles à l'aide d'une meuleuse. Veiller à ne pas arrondir les tranchants (A).



4. Tourner la clé mixte dans le sens opposé pour accéder aux tranchants opposés.



- Affûter les tranchants accessibles à l'aide d'une meuleuse.
- Remplacer les lames lorsque la largeur de la dent est inférieure à 8 mm (0,32 po) (C).



## Pour remplacer les lames



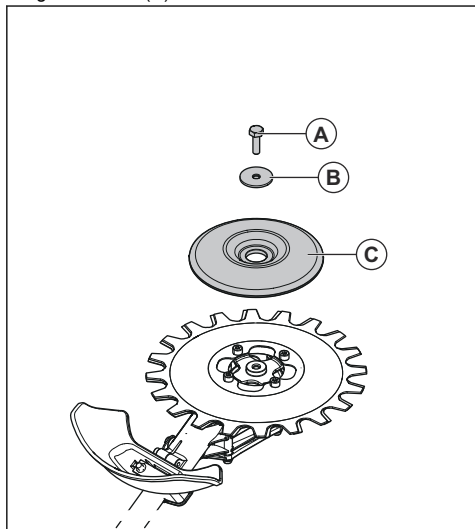
**AVERTISSEMENT:** Porter des gants de protection pour tenir les lames.



**AVERTISSEMENT:** Pour éviter les déséquilibres et les vibrations du produit, nettoyer l'équipement de coupe lors du remplacement des lames.

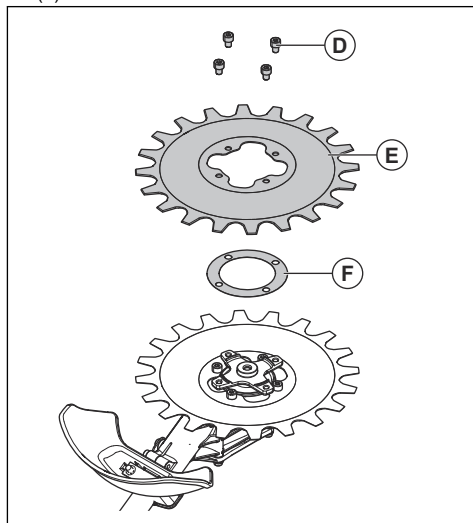
**Remarque :** Les lames sont interchangeables.

- Retirer la vis centrale (A), la rondelle (B) et le bol de garde au sol (C).

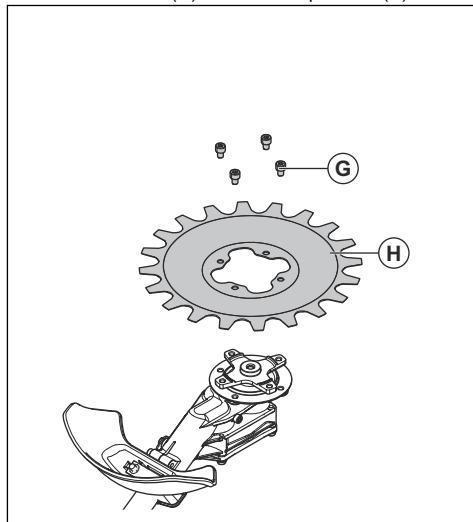


**Remarque :** La vis centrale est dotée d'un filetage à gauche.

- Retirer les 4 vis (D), la lame inférieure (E) et la cale (F).



- Retirer les 4 vis (G) et la lame supérieure (H).



- Installer les lames dans l'ordre inverse. Serrer les vis de manière égale lors de l'installation des lames.

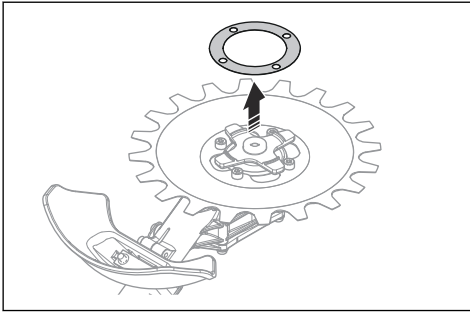
## Pour ajuster le jeu entre les lames



**AVERTISSEMENT:** Porter des gants de protection pour tenir les lames.

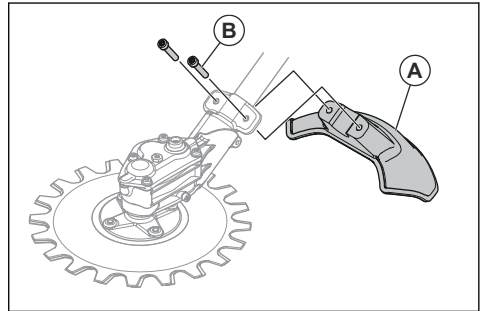
- Retirer la lame inférieure, se reporter à *Pour remplacer les lames à la page 33*

2. Retirer la cale.



**Remarque :** Conserver la cale jusqu'à ce qu'il soit temps de réinstaller les lames.

- Retirer les 2 vis (B) et le protège-lame (A).
- Installer le protège-lame neuf (A) à l'aide des 2 vis (B). Serrer les vis de manière égale.



3. Installer la lame inférieure. Serrer les vis de manière égale lors de l'installation des lames.

## Pour remplacer le protège-lame



**AVERTISSEMENT:** Porter des gants de protection pour tenir les lames.

## Transport, entreposage et mise au rebut

### Transport et entreposage

- Assurez-vous que la protection de transport est correctement fixée à l'outil de coupe lorsque le produit n'est pas utilisé, est transportée ou s'il est dans le local de rangement.
- Garder l'équipement de coupe dans un endroit verrouillé hors de portée des enfants et des personnes non autorisées.

- Fixer solidement l'équipement de coupe pendant le transport pour éviter tout dommage ou accident.
- Avant d'entreposer l'équipement de coupe à long terme, s'assurer qu'il est bien nettoyé et en effectuer l'entretien complet.

## Données techniques

### Données techniques

<b>RA850</b>	
<b>Poids</b>	
Poids, lb/kg	5,5/2,5
<b>Lames</b>	
Diamètre, po/mm	9/230
Vitesse de lame, coupes/min	4 600





[www.husqvarna.com](http://www.husqvarna.com)

Original instructions  
Instrucciones originales  
Instructions d'origine

1141214-49



2019-04-16