

2024



For Maintenance and Safety

OWNER'S MANUAL

Sportsman 450

Sportsman 570

POLARIS
Think Outside

WARNING

Read this manual carefully. It contains important safety information. This is an adult vehicle only.

Operation is prohibited for those under 16 years of age.



WARNING

Read, understand, and follow all of the instructions and safety precautions in this manual and on all product labels.

Failure to follow the safety precautions could result in serious injury or death.



WARNING

Operating, servicing, and maintaining a passenger vehicle or off-road vehicle can expose you to chemicals including engine exhaust, carbon monoxide, phthalates, and lead, which are known to the State of California to cause cancer and birth defects or other reproductive harm. To minimize exposure, avoid breathing exhaust, do not idle the engine except as necessary, service your vehicle in a well-ventilated area and wear gloves or wash your hands frequently when servicing your vehicle.

For more information go to www.P65Warnings.ca.gov/passenger-vehicle.



*For videos and more information
about a safe riding experience with
your Polaris vehicle, scan this QR
code® with your smartphone
or visit: www.polaris.com/en-us/safety/*

POLARIS
SPORTSMAN[®]

2024 Owner's Manual

Sportsman 450 H.O.
Sportsman 450 H.O. Utility
Sportsman 450 H.O. EPS
Sportsman 570
Sportsman 570 EPS
Sportsman 570 Utility HD
Sportsman 570 Premium
Sportsman 570 Trail
Sportsman 570 Hunt Edition
Sportsman 570 Ride Command

APPLE® and APP STORE® are registered trademarks of Apple Inc. AUTOLITE® is a registered trademark of BMO HARRIS BANK N. A. BatteryMinder® is a registered trademark of VDC Electronics, Inc. Bluetooth® is a registered trademark of Bluetooth Sig, Inc. Cypress® is a registered trademark of Cypress Semiconductor Corporation. exFAT® is a registered trademark of Microsoft Corporation. Google Play® is a registered trademark of Google LLC. MACPHERSON RIDE® is a registered trademark of Aftermarket Auto Parts Alliance, Inc. NGK® is a registered trademark of NGK Spark Plug Co., Ltd. Phillips® is a registered trademark of the Phillips Screw Company. QR Code® is a registered trademark of DENSO WAVE INCORPORATED. RiderCourseSM is a service trademark of Specialty Vehicle Institute of America. Sandisk® is a registered trademark of SANDISK LLC LIMITED LIABILITY COMPANY DELAWARE. TOP TIER DETERGENT GASOLINE® is a registered trademark of GENERAL MOTORS LLC. Tread LightlySM is a service mark of the United States Department of Agriculture.

Unless noted, trademarks are the property of Polaris Industries Inc.

Copyright 2023 Polaris Industries Inc. All information contained within this publication is based on the latest product information at the time of publication. Due to constant improvements in the design and quality of production components, some minor discrepancies may result between the actual vehicle and the information presented in this publication. Depictions and/or procedures in this publication are intended for reference use only. No liability can be accepted for omissions or inaccuracies. Any reprinting or reuse of the depictions and/or procedures contained within, whether whole or in part, is expressly prohibited.

The original instructions for this vehicle are in English. Other languages are provided as translations of the original instructions.

Printed in U.S.A.

9941613 Rev 02



Thank you for purchasing a POLARIS vehicle, and welcome to our world-wide family of POLARIS enthusiasts. Be sure to visit us online at www.polaris.com for the latest news, new product introductions, upcoming events, career opportunities and more.

Here at POLARIS we proudly produce an exciting line of utility and recreational products. We believe POLARIS sets a standard of excellence for all utility and recreational vehicles manufactured in the world today. Many years of experience have gone into the engineering, design, and development of your POLARIS vehicle.

For safe and enjoyable operation of your vehicle, be sure to follow the instructions and recommendations in this owner's manual. Your manual contains instructions for minor maintenance, but information about major repairs is outlined in the POLARIS Service Manual and can be performed by a factory certified Master Service Dealer (MSD) technician.

Your POLARIS dealer knows your vehicle best and is interested in your total satisfaction. Your POLARIS dealership can perform all of your service needs during and after the warranty period.

For the most up-to-date owner's manual visit
<https://www.polaris.com/en-us/owners-manuals>.

SAFETY SYMBOLS AND SIGNAL WORDS

The following signal words and symbols appear throughout this manual and on your vehicle. Your safety is involved when these words and symbols are used. Become familiar with their meanings before reading the manual.

DANGER

DANGER indicates a hazardous situation which, if not avoided, WILL result in death or serious injury.

WARNING

WARNING indicates a hazardous situation which, if not avoided, COULD result in death or serious injury.

CAUTION

CAUTION indicates a hazardous situation which, if not avoided, COULD result in minor to moderate injury.

NOTICE

NOTICE provides key information by clarifying instructions.

IMPORTANT

IMPORTANT provides key reminders during disassembly, assembly, and inspection of components.

The Prohibition Safety Sign indicates an action NOT to take in order to avoid a hazard.



The Mandatory Action Sign indicates an action that NEEDS to be taken to avoid a hazard.



Introduction	7
Safety	13
Features and Controls	31
7" Display By RIDE COMMAND (If Equipped)	71
Operation	85
Winch Guide (If Equipped)	105
Emission Control Systems	115
Maintenance	117
Specifications	189
POLARIS Products	201
Troubleshooting	203
Warranty	213
Maintenance Log	227

INTRODUCTION

IMPORTANT WARNING ABOUT THIS MANUAL

 **WARNING**

Failure to heed the warnings and safety precautions contained in this manual can result in severe injury or death. A POLARIS ATV is not a toy and can be hazardous to operate. This vehicle handles differently than other vehicles, such as motorcycles and cars. A collision or rollover can occur quickly, even during routine maneuvers like turning, or driving on hills or over obstacles, if you fail to take proper precautions.

- Read this owner's manual. Understand all safety warnings, precautions and operating procedures before operating a POLARIS ATV. Keep this manual with the ATV.
- Never operate an ATV without proper instruction. Take a certified ATV safety training course. In the United States, certified training can be found at www.atvsafety.org.
- This vehicle is an **ADULT VEHICLE ONLY**. Operation is prohibited for anyone under 16 years of age.
- Never permit a guest to operate the ATV unless the guest has read this manual and all product labels and has completed a certified safety training course. In the United States, certified training can be found at www.atvsafety.org.

VEHICLE IDENTIFICATION NUMBERS

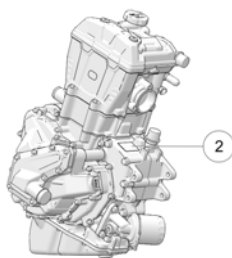
The vehicle identification number (VIN) ① is stamped on the lower frame rail on the rear left side of the vehicle on all models.

Record your vehicle's identification numbers and key number in the spaces provided. Remove the spare key and store it in a safe place. An ignition key can be duplicated only by ordering a POLARIS key blank (using your key number) and mating it with one of your existing keys. The ignition switch must be replaced if all keys are lost.

 **NOTICE**

Images are for reference only. Your model might differ slightly.

INTRODUCTION



Vehicle Model Number	
Frame VIN ①	
Engine Serial Number ②	
Key Number	

REPLACEMENT KEYS

A replacement key can be made from the original key.

Key Blank:
P/N 4080125

Rubber Key Cover:
P/N 5458344



RADIO COMPLIANCE STATEMENTS

USA RADIO COMPLIANCE

This vehicle may contain the following radio equipment or components that contain radio equipment:

COMPONENT	COMPONENT ID	MANUFACTURER
B1 Gauge	TT-B1	Polaris Industries Inc.
Ride Command RC-7W Display	RC-7W	Polaris Industries Inc.

This device complies with part 15 of the FCC Rules. Operation is subject to the following two conditions: (1) This device may not cause harmful interference, and (2) this device must accept any interference received, including interference that may cause undesired operation.

CAUTION

Changes or modifications not expressly approved by the party responsible for compliance could void the user's authority to operate the equipment.

CANADA RADIO COMPLIANCE

This vehicle may contain the following radio equipment or components that contain radio equipment:

INTRODUCTION

COMPONENT	COMPONENT ID	MANUFACTURER
B1 Gauge	TT-B1	Polaris Industries Inc.
Ride Command RC-7W Display	RC-7W	Polaris Industries Inc.

This device contains license-exempt transmitter(s)/receiver(s) that comply with Innovation, Science and Economic Development Canada's license-exempt RSS (s). Operation is subject to the following two conditions:

1. This device may not cause interference.
2. This device must accept any interference, including interference that may cause undesired operation of the device.

IMPORTANT

For applications that use vehicle-to-vehicle (V2V) communication, radio transmitter IC 5966A-RC7W has been approved by Innovation, Science and Economic Development Canada (ISED) to operate with Polaris antenna (part number 4080356) with gain of 3 dBi. Any antenna that has a gain greater than 3 dBi is prohibited for use with this device.

NEAR-FIELD COMMUNICATION (NFC) (IF EQUIPPED)

Some Polaris vehicles come equipped with a near-field communication (NFC) chip. The NFC chip is embedded in the Polaris emblem located at the front of the vehicle and seamlessly connects you to a digital platform of vehicle information and tools. See your dealer for more information.

IMPORTANT

Not all devices are equipped with an NFC reader. Additionally, some devices require third party applications to access NFC content. For questions regarding the NFC reader on your device, refer to the device's user manual.

On models equipped with NFC, place your smartphone directly over the Polaris emblem to do the following:

- View vehicle-specific information
- Access your Polaris Garage
- Download and view the owner's manual
- View accessory instructions
- Watch how-to videos
- Access warranty information
- Check for service notifications



RIDE COMMAND WITH NFC

Additional NFC features are available when using the Ride Command mobile app. To access these features, do the following:

1. Download the Ride Command mobile app from the Apple App Store® or Google Play® store.
2. Create or log in to an existing account.
3. From the Ride Command mobile app home screen, select **Add Vehicle**.
4. On the vehicle, tap the NFC-enabled badge with the phone to scan the vehicle.
5. Confirm information, name your vehicle, and tap add to garage.

SYSTEM REQUIREMENTS

Refer to device manufacturer's instructions to verify NFC read capability, and/or NFC-capable add-ons.

INTRODUCTION

REPORTING SAFETY DEFECTS (CANADA)

To report a safety defect to Transport Canada, you may either fill out an online defect complaint form at their website (English: <http://www.tc.gc.ca/recalls>, French: <http://www.tc.gc.ca/rappels>) or contact their Defect Investigations and Recalls Division by calling toll-free 1-800-333-0510 (Canada) or 819-994-3328 (Ottawa-Gatineau area / International).

SAFETY

SAFETY TRAINING

ATV safety training is a top priority for POLARIS. POLARIS strongly encourages you and any family members who will be riding the ATV to take a training course.

A POLARIS ATV is an off-road vehicle. Familiarize yourself with all laws and regulations concerning the operation of this vehicle in your area. We strongly advise you to strictly follow the recommended maintenance program outlined in your vehicle manual. This preventive maintenance program is designed to ensure that all critical components on your vehicle are thoroughly inspected at specific intervals.

SAFETY TRAINING IN THE UNITED STATES

If you purchased a new POLARIS ATV in the United States, your dealer provided information about the authorized ATV *RiderCourse*SM that is available to you and your eligible family members. This training is included in the purchase price of your ATV. You were also provided with printed materials that explain safe operating procedures. You should review this information on a regular basis.

If you purchased a used POLARIS ATV in the United States, you can enroll in the ATV *RiderCourse*SM for a fee. Call ATV Enrollment Express at 1-800-887-2887 or visit www.atvsafety.org. If you purchased a POLARIS ATV outside the United States, please contact your dealer or local law enforcement agencies, or visit www.polaris.com for information about safety training.

FOR MORE INFORMATION ABOUT ATV SAFETY in the United States, call the Consumer Product Safety Commission at 1-800-638-2772, or visit www.cpsc.gov, visit www.atvsafety.org, or call POLARIS at 1-800-342-3764.

SAFE RIDING GEAR

Always wear helmet, eye protection, gloves, long-sleeve shirt, long pants, and over-the-ankle boots at all times. Protective gear reduces the chance of injury.

- ① Helmet
- ② Eye Protection
- ③ Long Sleeves
- ④ Gloves
- ⑤ Long Pants
- ⑥ Over-the-Ankle Boots



SAFETY

HELMET

Wearing a helmet can prevent a severe head injury. Whenever riding this POLARIS vehicle, always wear a helmet that meets or exceeds established safety standards. Clasp the buckle and pull each strap tight to ensure the helmet is properly secured to the head.

Approved helmets in the USA and Canada bear a U.S. Department of Transportation (DOT) label.



Approved helmets in Europe, Asia and Oceania bear the ECE 22.05 label. The ECE mark consists of a circle surrounding the letter E, followed by the distinguishing number of the country which has granted approval. The approval number and serial number will also be displayed on the label.



EYE PROTECTION

Do not depend on eyeglasses or sunglasses for eye protection. Whenever riding this POLARIS vehicle, always wear shatterproof goggles or use a shatterproof helmet face shield. POLARIS recommends wearing approved Personal Protective Equipment (PPE) bearing markings such as VESC 8, V-8, Z87.1, or CE. Make sure protective eye wear is kept clean.

GLOVES

Wear gloves for comfort and for protection from sun, cold weather and other elements.

BOOTS

Wear sturdy over-the-ankle boots for support and protection. Never ride a POLARIS vehicle with bare feet or sandals.

CLOTHING

Wear long sleeves and long pants to protect arms and legs.

SAFETY WARNINGS

WARNING

Failure to operate this vehicle properly can result in a collision, loss of control, accident or rollover, which may result in serious injury or death. Heed all safety warnings outlined in this section of the owner's manual. See the operation section of this owner's manual for proper operating procedures.

OPERATING WITHOUT INSTRUCTION

Operating this ATV without proper instruction increases the risk of an accident. The operator must understand how to operate the ATV properly in different situations and on different types of terrain.

Beginning and inexperienced operators should complete the recommended safety training before operating this vehicle.

Never permit a guest to operate the ATV unless the guest has read this manual and all product labels and has completed a certified safety training course.



AGE RESTRICTIONS

This vehicle is an **ADULT VEHICLE ONLY**. Operation is prohibited for anyone under 16 years of age.

Never allow anyone under 12 years of age to ride as a passenger on a 2-up ATV.

Even though a child may be within the recommended age group for operating some ATVs, they may not have the skills, abilities, or judgment needed to operate or ride on this ATV safely and could be susceptible to accident or injury.



SAFETY

USING ALCOHOL OR DRUGS

Never consume alcohol or drugs before or while operating this vehicle.

Operating this vehicle after consuming alcohol or drugs could adversely affect operator judgment, reaction time, balance and perception.



FAILURE TO INSPECT BEFORE OPERATING

WARNING

Failure to inspect and verify that the vehicle is in safe operating condition before operating increases the risk of an accident.

Always perform the pre-ride inspection before each use of your vehicle to make sure it's in safe operating condition.

Always follow the inspection and maintenance procedures and schedules described in this owner's manual.

HANDLING GASOLINE

Gasoline is highly flammable and explosive under certain conditions.

- Always exercise extreme caution whenever handling gasoline.
- Always refuel with the engine stopped, and outdoors or in a well ventilated area.
- Never carry fuel or other flammable liquids on this vehicle. Failure to follow this instruction could lead to serious burn injuries or death.
- Do not smoke or allow open flames or sparks in or near the area where refueling is performed or where gasoline is stored.
- Do not overfill the tank. Do not fill the tank neck.
- If gasoline spills on your skin or clothing, immediately wash it off with soap and water and change clothing.

EXPOSURE TO EXHAUST



Engine exhaust fumes are poisonous and can cause loss of consciousness or death in a short time. Never start the engine or let it run in an enclosed area. Operate this vehicle only outdoors or in well-ventilated areas.

PROTECTIVE APPAREL

Riding in this vehicle without wearing an approved helmet and protective eye wear increases the risk of a serious injuries in the event of an accident.

Always wear a helmet, eye protection, gloves, long-sleeve shirt, long pants and over-the-ankle boots.



OPERATING ON PAVEMENT

This vehicle's tires are designed for off-road use only, not for use on pavement. Operating this vehicle on paved surfaces (including sidewalks, paths, parking lots and driveways) may adversely affect the handling of the vehicle and may increase the risk of loss of control and accident or rollover. Avoid operating the vehicle on pavement. If it's unavoidable, travel slowly, travel short distances and avoid sudden turns or stops.

OPERATING ON PUBLIC ROADS

Operating this vehicle on public streets, roads or highways could result in a collision with another vehicle. Never operate this vehicle on any public street, road or highway, including dirt and gravel roads (unless designated for off-highway use).



SAFETY

OPERATING AT EXCESSIVE SPEEDS

Operating this vehicle at excessive speeds increases the operator's risk of losing control. Always operate at a speed that's appropriate for the terrain, the visibility and operating conditions and your skills and experience.



PHYSICAL CONTROL OF THE VEHICLE

Removing even one hand or foot can reduce ability to control the vehicle or could cause loss of balance and ejection from the ATV.

If a person's feet are not firmly planted on the footrests, they could come into contact with the wheels or other moving parts and lead to accident or injury.

Always keep both hands on the handlebars and both feet on the footrests of the ATV during operation.

TURNING IMPROPERLY

CAUTION

Turning improperly could cause loss of traction, loss of control, accident or rollover. Always follow proper procedures for turning as described in this owner's manual.

Avoid sharp turns. Never turn while applying heavy throttle. Never make abrupt steering maneuvers. Practice turning at slow speeds before attempting to turn at faster speeds.

JUMPS AND STUNTS

Exhibition driving increases the risk of an accident or rollover. **DO NOT** do power slides, "donuts", jumps or other driving stunts. Avoid exhibition driving.



IMPROPER HILL CLIMBING

Improper hill climbing could cause loss of control or rollover. Use extreme caution when operating on hills. Always follow proper procedures for hill climbing as described in this owner's manual. See the New Operator Driving Procedures section for details.

DESCENDING HILLS IMPROPERLY

Improperly descending a hill could cause loss of control or rollover. Always follow proper procedures for traveling down hills as described in this owner's manual. See the New Operator Driving Procedures section for details.

CROSSING HILLSIDES

Driving on a sidehill is not recommended. Improper procedure could cause loss of control or rollover. Avoid crossing the side of any hill unless absolutely necessary.

If crossing a hillside is unavoidable, always follow proper procedures as described in this owner's manual. See the New Operator Driving Procedures section for details.

SAFETY

STALLING WHILE CLIMBING A HILL

Stalling, rolling backwards or improperly dismounting while climbing a hill could cause a rollover.

- Always maintain a steady speed when climbing a hill.
- Always engage ADC mode (if equipped) before ascending or descending a hill. If ADC mode is not equipped, apply AWD mode before ascending or descending a hill.



If all forward speed is lost:

- Lean forward to keep body weight uphill.
- Apply the brakes.
- Lock the parking brake when fully stopped.
- Dismount on the uphill side of the vehicle, or on the left if the vehicle is pointing straight uphill.
- Turn the ATV around and remount, following the procedure described in the owner's manual.

If the ATV begins rolling downhill:

- Keep operator body weight uphill.
- Never apply engine power.
- Apply the brake lever gradually.
- When fully stopped, apply the auxiliary brake as well, and then lock the parking brake.
- Dismount on the uphill side of the vehicle, or on the left if the vehicle is pointing straight uphill.
- Turn the ATV around and remount, following the procedure described in the owner's manual.

OPERATING ON STEEP HILLS

Operating on excessively steep hills could cause an overturn.

Never operate on hills too steep for the ATV or for your abilities.

Never operate this ATV on hills steeper than 25 degrees.



OPERATING ON SLIPPERY TERRAIN

Failure to use extra caution when operating on excessively rough, slippery or loose terrain could cause loss of traction, loss of control, accident or overturn.

Do not operate on excessively rough, slippery or loose terrain until you've learned and practiced the skills necessary to control the vehicle on such terrain.

Always use extra caution on rough, slippery or loose terrain.



OPERATING IN UNFAMILIAR TERRAIN

Failure to use extra caution when operating on unfamiliar terrain could result in an accident or rollover.

Unfamiliar terrain may contain hidden rocks, bumps, or holes that could cause loss of control or rollover.

Travel slowly and use extra caution when operating on unfamiliar terrain. Always be alert to changing terrain conditions.

SAFETY

IMPROPER TIRE MAINTENANCE

Operating this vehicle with improper tires or with improper or uneven tire pressure could cause loss of control or accident.

Always use the size and type of tires specified for your vehicle.

Always maintain proper tire pressure as described in the owner's manual and on safety labels.



OPERATING IMPROPERLY IN REVERSE

Improperly operating in reverse could result in a collision with an obstacle or person. Always follow proper operating procedures as outlined in this manual. See the New Operator Driving Procedures section for details.

Before shifting into reverse gear, always check for obstacles or people behind the vehicle. When it's safe to proceed, back slowly.

OPERATING OVER OBSTACLES

Improperly operating over obstacles could cause loss of control or rollover.

Before operating in a new area, check for obstacles. Avoid operating over large obstacles such as large rocks and fallen trees. Always follow the proper procedures outlined in this manual when operating over obstacles. See the New Operator Driving Procedures section for details.



SKIDDING OR SLIDING

Failure to use extra caution when operating on excessively rough, slippery or loose terrain could cause loss of traction, loss of control, accident or rollover. Do not operate on excessively slippery surfaces. Always slow down and use additional caution when operating on slippery surfaces.

Skidding or sliding due to loss of traction can cause loss of control or rollover (if tires regain traction unexpectedly). Always follow proper procedures for operating on slippery surfaces as described in this owner's manual. See the New Operator Driving Procedures section for details.



OPERATING A DAMAGED VEHICLE

CAUTION

Operating a damaged vehicle can result in an accident. After any rollover or other accident, have a qualified service dealer inspect the entire machine for possible damage, including (but not limited to) brakes, throttle, and steering systems.

OPERATING THROUGH WATER

Operating through deep or fast-flowing water can cause loss of traction, loss of control, rollover or accident. Never operate in fast-flowing water or in water that exceeds the floor level of the vehicle.

Always follow proper procedures for operating in water as described in this owner's manual.

Wet brakes may have reduced stopping ability. After leaving water, test the brakes. Apply them lightly several times while driving slowly. The friction will help dry out the pads.

SAFETY

IMPROPER CARGO LOADING

Overloading the vehicle or carrying cargo improperly may cause changes in stability and handling, which could cause loss of control or an accident.

- Always follow the instructions in this owner's manual for carrying cargo.
- Never exceed the stated load capacity for this vehicle.
- Cargo should be properly distributed and securely attached.
- Reduce speed when carrying cargo or pulling a trailer. Allow a greater distance for braking.

OPERATING ON FROZEN BODIES OF WATER

Severe injury or death can result if the vehicle and/or the operator fall through the ice. Never operate the vehicle on a frozen body of water unless you have first verified that the ice is sufficiently thick to support the weight and moving force of the vehicle, you and your cargo, together with any other vehicles in your party.

Always check with local authorities and residents to confirm ice conditions and thickness over your entire route. Vehicle operators assume all risk associated with ice conditions on frozen bodies of water.

POOR VISIBILITY



Operating this vehicle in darkness or inclement weather could result in a collision or accident, especially if operating on a road or street. This vehicle is not equipped with highway-approved lights. Operate this vehicle off-road only. Use caution and drive at reduced speeds in conditions of reduced visibility such as fog, rain and darkness. Clean headlights frequently and replace burned out headlamps promptly.

PHYSICAL SKILLS

Safe operation of this rider-active vehicle requires good judgment and physical skills. Persons with cognitive or physical disabilities who operate this vehicle have an increased risk of overturn and loss of control.

HOT EXHAUST SYSTEMS

WARNING

Exhaust system components are very hot during and after use of the vehicle. Hot components can cause burns and fire. Do not touch hot exhaust system components. Always keep combustible materials away from the exhaust system.

Use caution when traveling through tall grass, especially dry grass and when traveling through muddy conditions. Always inspect the underside of the vehicle and areas near the exhaust system after driving through tall grass, weeds, brush, other tall ground cover, and muddy conditions. Promptly remove any grass, debris or foreign matter clinging to the vehicle and pay particular attention to the exhaust system area.

TRAILER HITCH WARNING (IF EQUIPPED)

If using a hitch, ensure the receiver does not exceed a two inch drop or raise.

WARNING

When trailering with your ATV, be aware that the exhaust is located above the hitch ball receiver and the trailer hitch. During operation of the ATV, the exhaust will produce hot exhaust gas that should not be inhaled and that may elevate the surface temperature of surrounding surfaces, including trailer surfaces (e.g., trailer hitch, trailer tongue, trailer walls, . . . etc.). To reduce the risk of inhaling exhaust gases and to avoid risk of burn or injury, shut off your engine and allow time for the exhaust gases to dissipate and for the surfaces surrounding the exhaust to cool, including the trailer surfaces, before connecting or disconnecting a trailer. To reduce the potential for the trailer hitch or trailer tongue from getting too hot, do not use a receiver hitch with a rise of more than two inches.

UNAUTHORIZED USE OF THE VEHICLE

Leaving the keys in the ignition can lead to unauthorized use of the vehicle by someone under the age of 16, without a drivers license, or without proper training. This could result in an accident or rollover. Always remove the ignition key when the vehicle is not in use.

SAFETY

EQUIPMENT MODIFICATIONS

Your POLARIS vehicle is designed to provide safe operation when used as directed. Modifications to your vehicle may negatively impact vehicle stability. Failure of critical machine components may result from operation with any modifications, especially those that increase speed or power. This vehicle may become less stable at speeds higher than those for which it is designed. Loss of control may occur at higher speeds.

Do not install any non-POLARIS-approved accessory or modify the vehicle for the purpose of increasing speed or power. Any modifications or installation of non-POLARIS-approved accessories could create a substantial safety hazard and increase the risk of bodily injury.

The POLARIS limited warranty on your POLARIS vehicle will be terminated if any non-POLARIS approved equipment and/or modifications have been added to the vehicle that increase speed or power.

The addition of certain accessories, including (but not limited to) mowers, blades, tires, sprayers, or large racks, may change the handling characteristics of the vehicle. Use only POLARIS-approved accessories, and familiarize yourself with their function and effect on the vehicle.

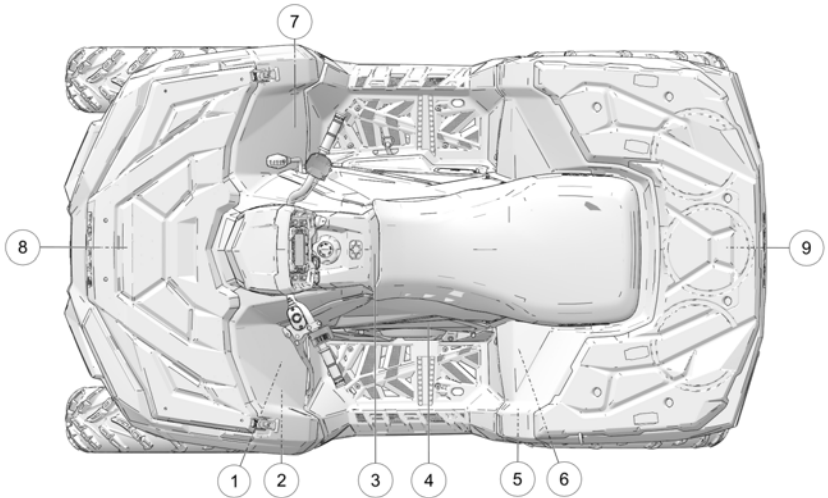
For more information about ATV safety, see the Safety Training section.

SAFETY LABELS AND LOCATIONS

Warning labels have been placed on the vehicle for your protection. Read and follow the instructions on each label carefully. If any of the labels shown in this manual differ from the labels on your vehicle, always read and follow the instructions of the labels on the vehicle.

If an informational or graphic label becomes illegible or comes off, contact your POLARIS dealer to purchase a replacement. Replacement safety labels are provided by POLARIS at no charge. The part number is printed on the label.

OVERVIEW



- | | |
|--|-------------------------|
| ① General Warning | ⑥ No Passenger Warning |
| ② Age 16 Warning | ⑦ Discretionary Warning |
| ③ Reverse Override Warning / 4x4 (AWD) Caution | ⑧ Front Rack Warning |
| ④ Clutch Cover Warning | ⑨ Rear Rack Warning |
| ⑤ Tire Pressure/Overloading Warning | |

SAFETY

GENERAL WARNING

⚠ WARNING

Improper use can result in SEVERE INJURY or DEATH

ALWAYS USE AN APPROVED HELMET AND PROTECTIVE GEAR

NEVER USE ON PUBLIC ROADS

NEVER CARRY PASSENGERS

NEVER USE WITH DRUGS OR ALCOHOL

NEVER operate:

- without proper training or instruction
- at speeds too fast for your skills or the conditions
- on public roads - a collision can occur with another vehicle
- with a passenger - passengers affect balance and steering and increase risk of losing control

ALWAYS:

- use proper riding techniques to avoid vehicle overturns on hills and rough terrain and in turns
- avoid paved surfaces - pavement may seriously affect handling and control

Locate and Read Owner's Manual. Follow All Instructions And Warnings.

Part Number: 7186136

AGE 16 WARNING

⚠ WARNING

Operating this ATV if you are under the age of 16 increases your chance of severe injury or death.

NEVER operate this ATV if you are under age 16.

Part Number: 7185253

REVERSE OVERRIDE / AWD WARNING

⚠ WARNING

Improper use of override button can lead to loss of control resulting in severe injury or death. Do not activate override while throttle is engaged. Always apply throttle gradually, while in reverse.

⚠ CAUTION

Do not push switch to engage 4X4 (AWD) if the rear wheels are spinning. This may cause severe drive shaft and clutch damage.

Part Number: 7195826

CLUTCH COVER WARNING

⚠ WARNING

- Moving parts hazard under belt-clutch guard. To prevent serious injury, do not operate vehicle with guard removed.
- Do not modify engine or clutch. Doing so can cause part failure, possible imbalance, and excessive engine RPM, which can result in serious injury or death.

NO STEP

Part Number: 7180088

TIRE PRESSURE / OVERLOAD WARNING

⚠ WARNING

Improper tire pressure or overloading can cause loss of control. Loss of control can result in severe injury or death.

- Cold tire pressure:
 - Front: 7.0 psi (48.3 kPa)
 - Rear: 7.0 psi (48.3 kPa)
- Maximum weight capacity: 485 lbs. (220 kg)

NEVER exceed 50 mph (80 kph) when rear cargo loads are above 75 lbs (34 kg) and/or front cargo loads are above 37 lbs (17 kg).

Part Number: 7186135

NO PASSENGER WARNING

⚠ WARNING

NEVER ride as a passenger. Passengers can cause a loss of control, resulting in SEVERE INJURY or DEATH.

Part Number: 7186125

SAFETY

DISCRETIONARY WARNING

⚠ WARNING

- Never operate this ATV on HILLS steeper than 25 degrees. To prevent overturn on hilly terrain, use throttle and brakes gradually, and shift weight uphill.
- REVERSE operation can be dangerous even at low speeds. Steering becomes difficult. To prevent loss of control, avoid sudden braking or sharp turns.

Part Number: 7186128

FRONT RACK / CONTAINER WARNING

⚠ WARNING

- DO NOT TOW FROM RACK OR BUMPER.
Vehicle damage or tipover may result causing severe injury or death. Tow only from tow hooks or hitch.
- Maximum Combined Front Rack and Container Load: 90 lbs (41 kg)

Part Number: 7174201

REAR RACK WARNING (TOURING MODELS)

⚠ WARNING

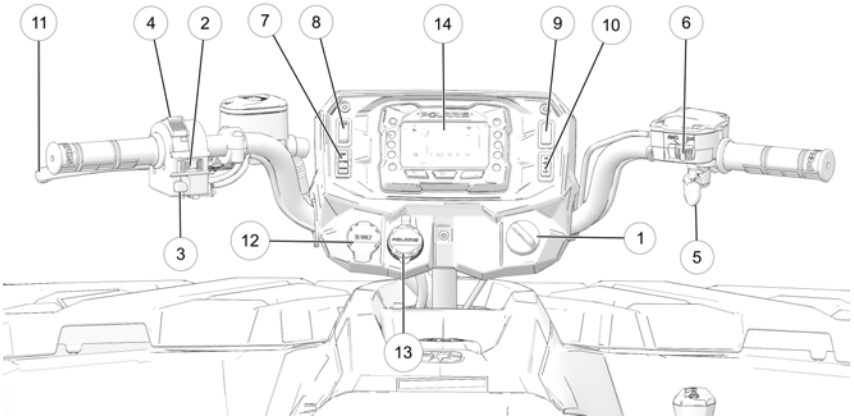
- DO NOT TOW FROM RACK OR BUMPER.
Vehicle damage or tipover may result causing severe injury or death. Tow only from tow hooks or hitch.
- Maximum Rack Loads:
 - Front: 90 lbs (41 kg)
 - Rear: 180 lbs (82 kg)

Part Number: 7172572

FEATURES AND CONTROLS OVERVIEW

NOTICE

Image is for reference only. Your model might differ slightly.



- | | |
|-----------------------------------|-------------------------------------|
| ① Ignition Switch | ⑧ Auxiliary Switch (if equipped) |
| ② Engine Stop Switch | ⑨ Hand Warmer Switch (if equipped) |
| ③ Mode/Reverse Override Switch | ⑩ Thumb Warmer Switch (if equipped) |
| ④ Headlight Switch | ⑪ Brake Lever |
| ⑤ Throttle Lever | ⑫ Auxiliary Outlet |
| ⑥ Driveline Switch | ⑬ Battery Charge Port |
| ⑦ Drive Mode Switch (if equipped) | ⑭ Digital Display |

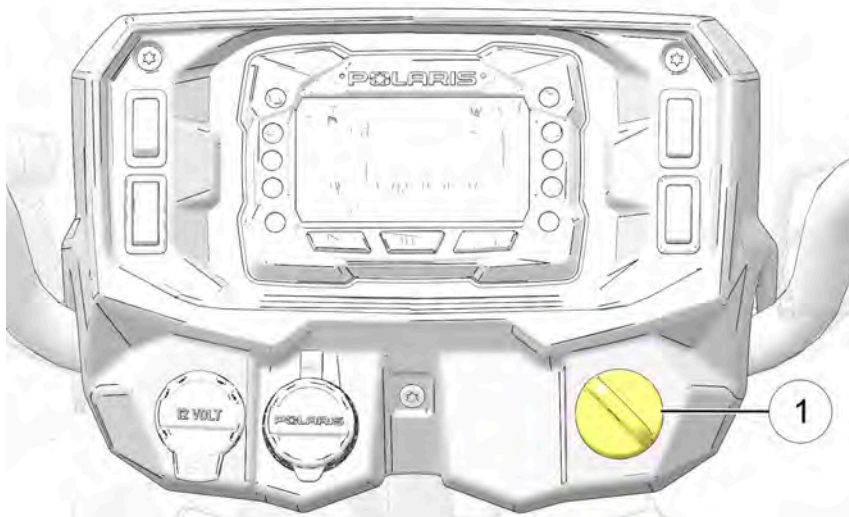
FEATURES AND CONTROLS

IGNITION SWITCH

Use the ignition switch ① to start the engine. The key can be removed from the switch when it is in the OFF position.

NOTICE

Image is for reference only. Your model might differ slightly.

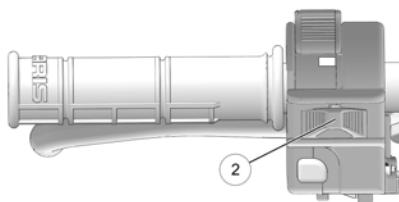


SWITCH POSITION	FUNCTION
OFF	Turn the key to the OFF position to stop the engine. Electrical circuits are off.
RUN	Turn the key the RUN position to activate electrical components. Electrical circuits are on. Electrical equipment can be used.
START	Turn the key to the START position to engage the electric starter. See the Starting the Engine section for starting procedures.

LEFT-HAND CONTROL ENGINE STOP SWITCH

Move the stop switch ② either left or right to the OFF position to stop the engine quickly.

Move the stop switch to the RUN position before attempting to start the engine. The engine will not start or run when the switch is off. Both the main switch and the engine stop switch will shut off all electrical power to the vehicle, including lights.



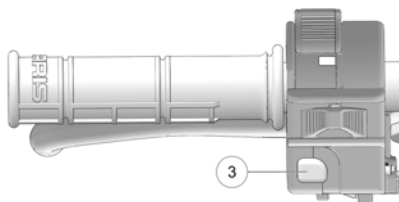
MODE/REVERSE OVERRIDE SWITCH

WARNING

Pressing the override button while the throttle is open can cause loss of control, which may result in serious injury or death. Always release the throttle before pressing the override button.

This vehicle is equipped with a reverse speed limiter system. To gain additional wheel speed while backing, release the throttle and press the override button ③.

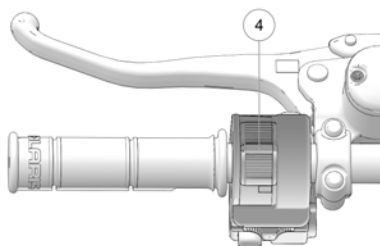
The reverse override button also acts as a MODE button for the digital display when held down for approximately one half second. The override button will not function as a MODE button if the transmission is in reverse.



FEATURES AND CONTROLS

HEADLIGHT SWITCH

Use the headlight switch to turn the lights on and off and to change the lights from high beam to low beam. The key must be in the ON position and the engine stop switch must be in the RUN position.



RIGHT-HAND CONTROL

THROTTLE LEVER

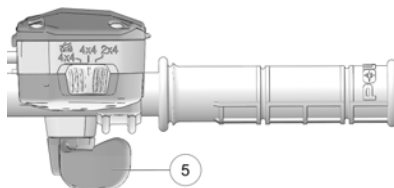
WARNING

Operating an ATV with sticking or improperly operating throttle controls could cause an accident. Never start or operate an ATV that has a sticking or improperly operating throttle. Immediately contact your POLARIS dealer or other qualified person for service if throttle problems arise.

Failure to check or maintain proper operation of the throttle system can result in an accident if the throttle lever sticks during operation. Always check the lever for free movement and return before starting the engine. Also check occasionally during operation.

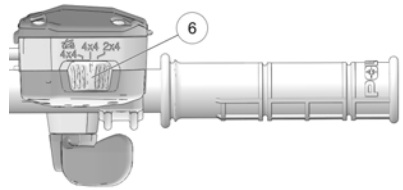
Modifications to the electronic throttle control could result in failure to perform as designed, which could result in an accident. Do not attempt to modify the throttle control system or replace it with any after market throttle mechanisms.

Engine speed and vehicle movement are controlled by pressing the throttle lever ⑤. The throttle lever is spring loaded. Engine speed returns to idle when the lever is released. This ATV is equipped with a throttle release switch, which is designed to reduce the risk of a frozen or stuck throttle.



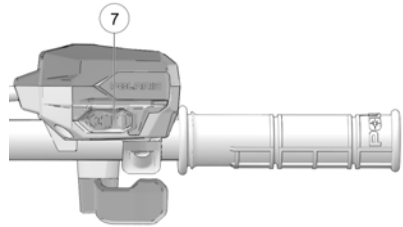
DRIVELINE SWITCH (IF EQUIPPED)

The Driveline switch ⑥ controls the All Wheel Drive (AWD) system. Use this switch to engage ADC 4x4, 4x4 (AWD), 2X4, or Turf Mode (if equipped). The vehicle automatically engages AWD when operating in reverse if the drive mode is set to AWD. For more information, see page 37.



DRIVELINE SWITCH (570 CALIFORNIA (EVAP), 570 UTILITY HD, 570 TRAIL, AND 570 HUNT EDITION MODELS)

On 570 California (EVAP), 570 Utility HD, 570 Trail, and 570 Hunt Edition models, the AWD system is controlled by the AWD Momentary Switch ⑦. Use this switch to change the driveline modes between 2WD, AWD, and AWD ADC. The vehicle automatically engages AWD when operating in reverse if the AWD mode is set to AWD. For more information, see page 40.



FEATURES AND CONTROLS

DRIVE MODE SWITCH (IF EQUIPPED)

The Drive Mode Switch has three positions:

- Performance (PERF)
- Standard (STND)
- Work (WORK)

Always use low gear for any of the following conditions regardless of the selected throttle control setting.

- Operating in rough terrain or over obstacles.
- Loading the vehicle onto a trailer.
- Towing heavy loads.
- Driving frequently at low RPM or at ground speeds below 7 MPH (11 km/h).



PERFORMANCE MODE

Offers a more aggressive feel to the power of the vehicle. Vehicle will accelerate harder with less throttle movement.

WORK MODE

Throttle is smoother than standard mode. Best for when the operator wants more precision over vehicle acceleration. This drive mode is recommended to be used when backing up with a trailer, driving over rough terrain, or loading vehicle on a trailer.

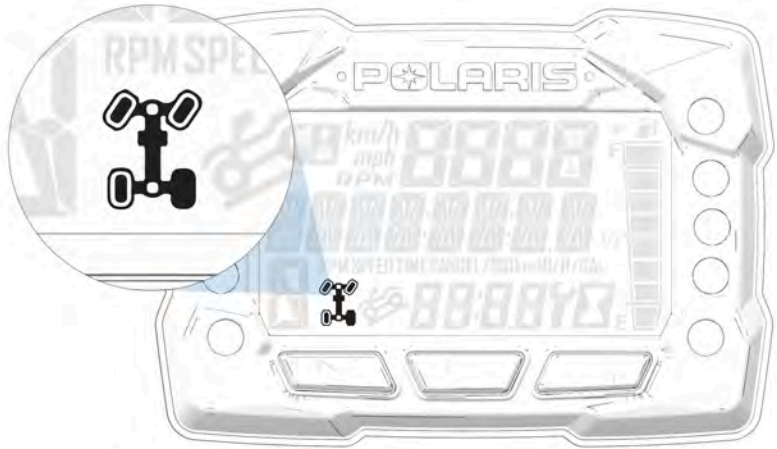
STANDARD MODE

Use for majority of driving.

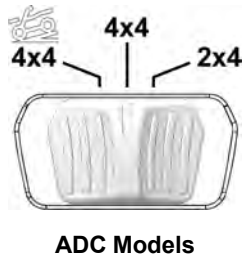
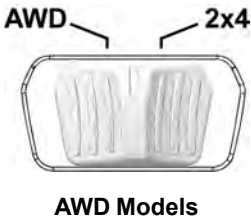
ALL WHEEL DRIVE SYSTEM

NOTICE

Switching to AWD while the rear wheels are spinning may cause severe drive shaft and gearcase damage. Always switch to AWD while the rear wheels have traction or are at rest.



The All Wheel Drive (AWD) system is controlled by the Driveline switch. Engage AWD before getting into conditions where front wheel drive may be needed. If the rear wheels are spinning, release the throttle before switching to AWD.



FEATURES AND CONTROLS

AWD (4X4) MODE

When the switch is on AWD, the ATV is four-wheel drive, and the AWD indicator icon in the instrument cluster display will be visible.

When in AWD, the demand drive unit will automatically engage any time the rear wheels lose traction. When the rear wheels regain traction, the demand drive unit will automatically disengage. There is no limit to the length of time the vehicle may remain in AWD. The vehicle automatically engages AWD when operating in reverse if the switch is set to either AWD position.



2X4 MODE

When the switch is on 2X4, the ATV is in two-wheel drive at all times.



ADC 4X4 MODE (IF EQUIPPED)

When the switch is on ADC 4X4, the ADC system allows engine braking to all four wheels when the vehicle descends a hill or incline. Always move the 4X4 switch to ADC 4X4 before ascending or descending a hill.



ENGAGING AWD

The AWD switch may be turned on or off while the vehicle is moving. Initially, the vehicle's electronic system will not enable AWD until the engine RPM is below 3000. Once enabled, AWD remains enabled until the AWD switch is turned off. If the switch is turned off while the demand drive unit is moving, it will not disengage until the rear wheels regain traction.

Engage the AWD switch before getting into conditions where front wheel drive may be needed. If the rear wheels are spinning, release the throttle before switching to AWD.

NOTICE

Switching to AWD or ADC 4X4 while the rear wheels are spinning may cause severe drive shaft and gearcase damage. Always switch to AWD or ADC 4X4 while the rear wheels have traction or are at rest.

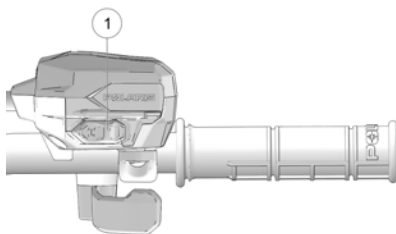
FEATURES AND CONTROLS

ALL WHEEL DRIVE SYSTEM

Available on 570 California (EVAP), 570 Utility HD, 570 Trail, and 570 Hunt Edition Models

The All Wheel Drive system (AWD) is controlled by the AWD momentary switch ①.

Engage AWD before getting into conditions where front wheel drive may be needed. If the rear wheels are spinning, release the throttle before switching to AWD.



- Push the momentary switch to the right to engage AWD mode.
- Push the momentary switch to the right twice, to engage ADC AWD mode (if equipped).
- Push the momentary switch to the left to operate in two-wheel drive (2X4) mode.

NOTICE

Switching to AWD or ADC AWD (if equipped) while the rear wheels are spinning may cause severe drive shaft and gearcase damage. Always switch to AWD or ADC AWD (if equipped) while the rear wheels have traction or are at rest.

AWD MODE

To engage AWD mode, push the momentary switch to the right. AWD will engage when engine speed slows to below 3100 RPM. The gauge will display "AWD."

There is no limit to the length of time the vehicle may remain in AWD. The vehicle automatically engages AWD when operating in reverse if the switch is set to the AWD position.

Once enabled, AWD remains enabled until the switch is turned off. If the switch is turned off while the demand drive unit is moving, it will not disengage until the rear wheels regain traction.

When in AWD, the demand drive unit will automatically engage any time the rear wheels lose traction. When the rear wheels regain traction, the demand drive unit will automatically disengage.

2X4 MODE

To engage 2x4 Mode, push the momentary switch to the left. AWD will disengage when engine speed slows to below 3100 RPM. The gauge will display “2X4.”

ADC AWD MODE (IF EQUIPPED)

To engage ADC AWD Mode, push the momentary switch to the right twice. When the switch is on ADC AWD, the ADC system allows engine braking to all four wheels when the vehicle descends a hill or incline. Always move the AWD switch to ADC AWD before ascending or descending a hill.

ACTIVE DESCENT CONTROL (ADC) SYSTEM

The ADC system allows engine braking to all four wheels when the vehicle descends a hill or incline. Always move the 4X4 switch to ADC 4X4 before ascending or descending a hill.



ENGAGING ACTIVE DESCENT CONTROL

The ADC system will automatically engage when *all four* of the following conditions occur:

- The 4X4 switch must be in the ADC 4X4 position
- Vehicle speed must be 15 MPH (25 km/h) or less
- The throttle must be closed (throttle lever released)
- The transmission must be in gear (high, low or reverse)

DISENGAGING ACTIVE DESCENT CONTROL

The ADC system will automatically disengage if *at least one* of the following conditions occur:

- The 4X4 switch is moved out of the ADC 4X4 position
- Vehicle speed exceeds 15 MPH (25 km/h)
- The throttle is open (throttle is applied)
- The transmission is shifted to neutral or park

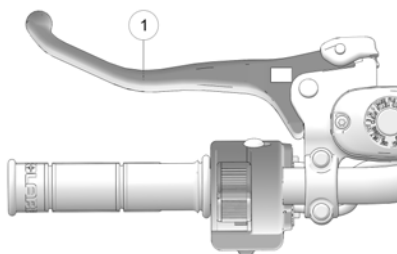
BRAKE SYSTEM

BRAKE LEVER

WARNING

Operating the ATV with a spongy brake lever can result in loss of braking, which could cause an accident. Never operate the ATV with a spongy-feeling brake lever. Always contact your dealer for service before operating the vehicle.

Squeeze the brake lever ① toward the handlebar to apply the front and rear brakes. These brakes are hydraulically activated disc type brakes that are activated by only one lever. Always test brake lever travel and verify master cylinder fluid level is full before riding. When squeezed, the lever should feel firm. Any sponginess would indicate a possible fluid leak or low master cylinder fluid level, which must be corrected before riding. Contact your POLARIS dealer or other qualified service facility for proper diagnosis and repairs.



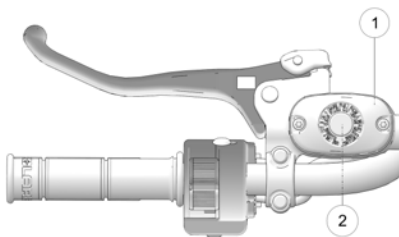
MASTER CYLINDER/BRAKE FLUID

WARNING

An over-full master cylinder may cause brake drag or brake lock-up, which could result in an accident. Maintain brake fluid at the recommended level. Do not overfill.

Check the brake fluid in the master cylinder before each ride.

1. Position the ATV on a level surface.
2. Position the handlebars so the master cylinder ① is level.
3. View the brake fluid level through the indicator window ② on the top of the master cylinder. The eye will appear dark when the fluid level is full. When fluid is low, the eye will be clear.



- If the fluid level is low, remove the cover screws and add fluid to the fill line. *Do not overfill.* Use DOT 4 brake fluid only.
- Reinstall the cover. Torque screws to 7 in-lbs (1 N·m).

WARNING



Never store or use a partial bottle of brake fluid. Brake fluid is hygroscopic, meaning it rapidly absorbs moisture from the air. The moisture causes the boiling temperature of the brake fluid to drop, which can lead to early brake fade and the possibility of brake failure, which could result in an accident. After opening a bottle of brake fluid, always discard any unused portion.

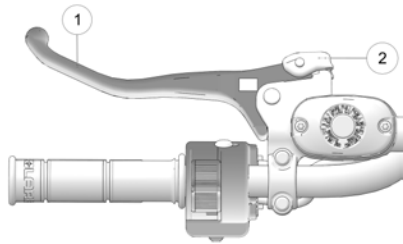
PARKING BRAKE

WARNING

Operating the ATV while the parking brake is engaged could result in an accident or fire. Always check to be sure the parking brake is disengaged before operating.

To lock the parking brake, do the following:

- Place the transmission in PARK.
- Squeeze and release the brake lever  two or three times, then squeeze and hold.
- Push the parking brake lock  forward to engage the lock.
- Release the brake lever.



- To release the parking brake lock, squeeze and release the brake lever. It will return to its unlocked position.

WARNING

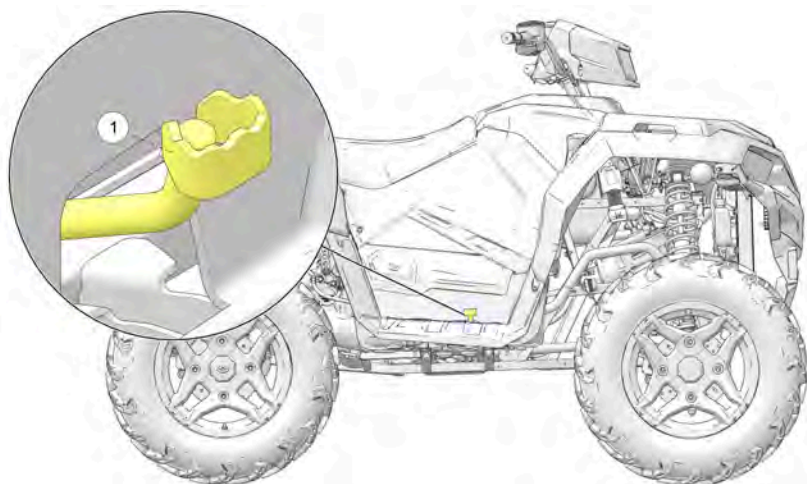
The parking brake may relax if left on for a long period of time. Always block the wheels to prevent rolling. Always block the wheels on the downhill side of the ATV if leaving it parked on a hill. Another option is to park the ATV in a sidehill position. Never depend on the parking brake alone if the ATV is parked on a hill.

FEATURES AND CONTROLS

AUXILIARY FOOT BRAKE

WARNING

Never back down a hill. Applying the auxiliary brake when backing down a hill may cause tipover, which could result in serious injury or death. Use caution when applying the auxiliary brake. Do not aggressively apply the auxiliary brake when going forward. The rear wheels may skid and slide sideways, causing loss of control and serious injury or death.

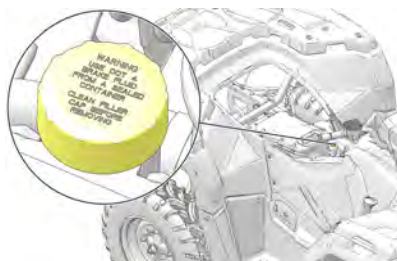


The auxiliary brake system is intended to be used as a backup for the main brake system. Should the main system fail, use the auxiliary foot brake ①. The auxiliary foot brake is located on the inside of the right footrest. Operate this brake with your right foot. If the rear wheels slide while using the auxiliary brake, *reduce* brake pedal pressure to brake the rear wheels without skidding.

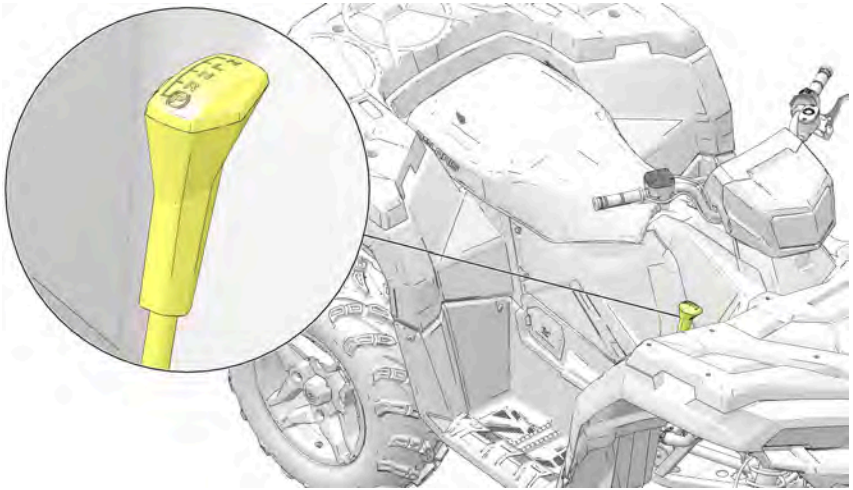
FOOT BRAKE FLUID LEVEL

Check the brake fluid level frequently for the auxiliary brake system. The reservoir is located under the seat, near the airbox.

Maintain the fluid level between the maximum and minimum marks. Use DOT 4 brake fluid only.



AUTOMATIC TRANSMISSION GEAR SELECTOR



The transmission gear selector is located on the right side of the vehicle.

- H:** High Gear
- L:** Low Gear
- N:** Neutral
- R:** Reverse
- P:** Park



To shift gears, brake to a complete stop.
When the engine is idling, move the lever to the desired gear.

NOTICE

Shifting gears with the engine speed above idle or while the vehicle is moving could cause transmission damage.

Whenever the ATV is left unattended, always place the transmission in PARK.

NOTICE

To extend belt life, use low forward gear when pulling a heavy load and when operating uphill at a slow speed.

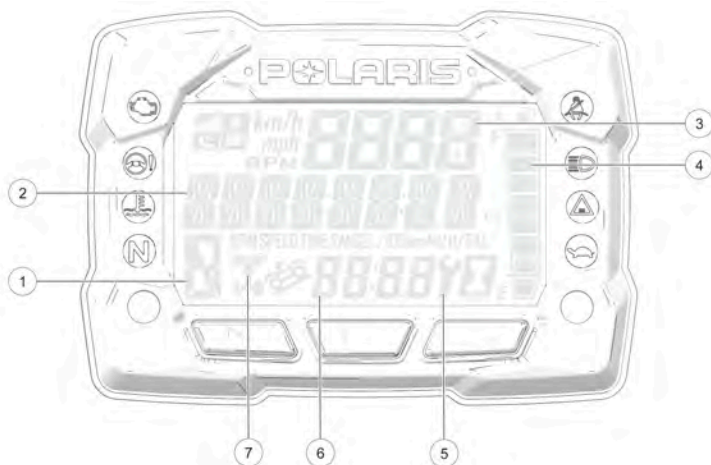
FEATURES AND CONTROLS

INSTRUMENT CLUSTER

NOTICE

Features vary by model.
Refer to the Ride Command chapter for more information about the Ride Command display.

Your vehicle is equipped with one of four available gauge variants, (1) a standard gauge (no Bluetooth® functionality), (2) a Bluetooth®-equipped gauge, (3) a no-button gauge, and (4) a 7" Ride Command display. If your gauge is equipped with Bluetooth®, the Bluetooth® icon will briefly display in the upper right corner of the gauge at start-up. If your model is equipped with a no-button gauge, use the MODE button on the left hand control to navigate the display menu. See page 50 for more information on no-button gauges.



NOTICE






The use of a high pressure washer may damage the instrument cluster. Wash the vehicle by hand or with a garden hose using mild soap. Do not use alcohol to clean the instrument cluster. Do not allow insect sprays to contact the lens. Immediately clean off any gasoline that splashes on the instrument cluster.

FEATURES AND CONTROLS



DISPLAY AREA	FUNCTION
① Gear Indicator	<p>H = High Gear L = Low Gear N = Neutral R = Reverse Gear P = Park – = Gear Signal Error (or shifter between gears)</p>
② Display Area 2	<p>This area displays odometer, trip meter, trip meter 2, voltage, engine temperature, engine hour meter, programmable service hour interval, ground speed, engine RPM, geofence status, or speed limit status. Press the mode button on the left hand control to toggle through the available options.</p>
③ Display Area 1	<p>This area displays engine RPM, ground speed, or coolant temperature.</p>
④ Fuel Gauge	<p>The segments of the fuel gauge show the level of fuel in the fuel tank. When the last segment clears, a low fuel warning is activated. All segments including the fuel icon will flash. Refuel immediately.</p>
⑤ Service Indicator	<p>A flashing wrench symbol alerts the operator that the preset service interval has been reached. Your POLARIS dealer can provide scheduled maintenance. See page 66 for more information.</p>
⑥ Clock (if equipped)	<p>The clock displays time in a 12-hour or 24-hour format.</p>
⑦ AWD Indicator	<p>Segments of the indicator illuminate based on drive mode engaged.</p>

FEATURES AND CONTROLS

INDICATOR LAMPS

INDICATOR	ICON	FUNCTION
Check Engine		This indicator appears if an EFI-related fault occurs. Do not operate the vehicle if this warning appears. Serious engine damage could result. Your authorized POLARIS dealer can assist.
EPS Warning (if equipped)		This indicator illuminates when a fault has occurred in the EPS system. Your authorized POLARIS dealer can assist. EPS operation is possible with key on/engine off for up to 5 minutes.
Engine Hot		This lamp illuminates to indicate an overheated engine. If the indicator flashes, a severe overheating condition exists.
Neutral		This lamp illuminates when the transmission is in neutral and the ignition key is in the ON position.
Helmet/Seat Belt		This lamp flashes for several seconds when the key is turned to the ON position. The lamp is a reminder to wear helmet and seat belt (if equipped) before operating.

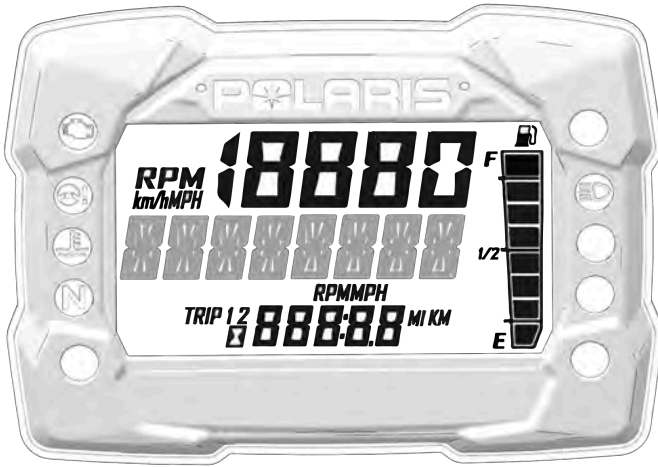
FEATURES AND CONTROLS

INDICATOR	ICON	FUNCTION
High Beam		This lamp illuminates when the headlamp switch is set to high beam.
Performance Limited		On models equipped with a low speed limiter, indicator light will remain on when low speed limiter is active. Lamp illuminates when Geofencing or max speed is enabled. Lamp remains off when Geofencing and max speed settings are disabled.

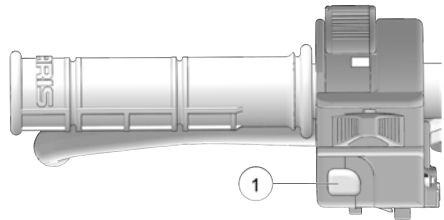
FEATURES AND CONTROLS

NO BUTTON GAUGE

Some Sportsman models are equipped with a no-button gauge. This gauge style does not come equipped with a clock feature. Other available features may vary.



To toggle through available features, press Reverse Override / Mode Button ① from the left hand controls. For the full list of available features, see the Display Area 2 section of this chapter.



NOTICE

To change between RPM and MPH, press the Reverse Override / MODE button to cycle to the RPM feature.

DISPLAY AREA 1

Pressing the MODE button will change the information displayed in Area 1 ①.



DISPLAY AREA 1	FUNCTION
Speed	The vehicle's speed will be displayed in mph, or km/h.
Engine Temperature	The vehicle's current engine temperature will be displayed.
RPM	The vehicle's RPM will be displayed.

FEATURES AND CONTROLS

DISPLAY AREA 2

Toggle the Up/Down buttons to change the information displayed in Area 2 ②.



DISPLAY AREA 2	FUNCTION
Odometer	The vehicle's odometer reading will be displayed.
Engine Temperature	The vehicle Engine Temperature will be displayed.
Trip 1	The vehicle Trip 1 mileage will be displayed.
Trip 2	The vehicle Trip 2 mileage will be displayed.
RPM	The vehicle RPM will be displayed.
Voltage	The vehicle's current battery voltage will be displayed.
Speed	The vehicle's current speed will be displayed.
Engine Hours	The vehicle's engine hours will be displayed.
Service Hours	The vehicle's service hours will be displayed.

OPTIONS MENU

From the options menu you can view diagnostic codes, access the advanced menu, set the clock, and much more. For a full list of available options see below.

To enter the Options Menu, press and hold the MODE button.



OPTIONS MENU	NOTES
Electronic Power Steering (EPS)	Turn EPS feature on/off and set between high, medium, or low.
Diagnostic Codes	Only displays if fault codes are present or stored
Advanced Menu (if equipped)	Set maximum speed, and geofencing settings.
Units - Distance	Select MPH or KPH
Units - Temp	Select between °F and °C
Clock (if equipped)	Select between 12H or 24H, and set time
Backlight Color	Select between Blue or Red
Backlight Level	Set backlight brightness level
Service Hours	View/Set Service hours
Exit Menu	Exit

FEATURES AND CONTROLS

DIAGNOSTIC CODE

Diagnostic Code Screen will show available MIL that has come on during that ignition cycle.

To access the Diagnostic Code Screen, do the following:

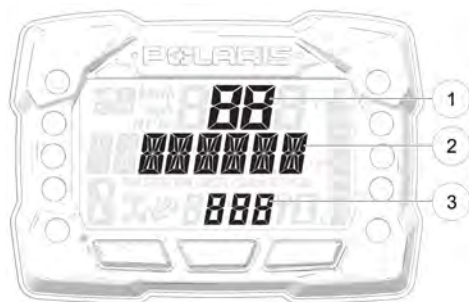
1. Press and hold the MODE button to enter the Options Menu. "OPTIONS" will display on the screen for 3 seconds before showing first menu item.
2. Select "Diagnostic Codes" from the Options Menu by pressing the MODE button.

Toggle the Up/Down Buttons to cycle through Code(s).

NOTICE

This option will only be available if a fault code was set or is active during the current ignition key 'on' cycle. Turning off the ignition will clear any save fault codes from the gauge.

- ① Display area 1 will show FMI
- ② Display area 2 will show SPN
- ③ Clock Area will show Count.



NOTICE

When the gauge is displaying a fault code, the warning telltale (check engine or EPS) will blink to indicate which controller set the fault code.

- To exit the Options Menu the user can select Exit Menu function from Options Menu, can hold Mode Button and exit out of Options Menu, or not press any button for 10 seconds, which will exit out of the Options Menu.

ADVANCED MENU (IF EQUIPPED)

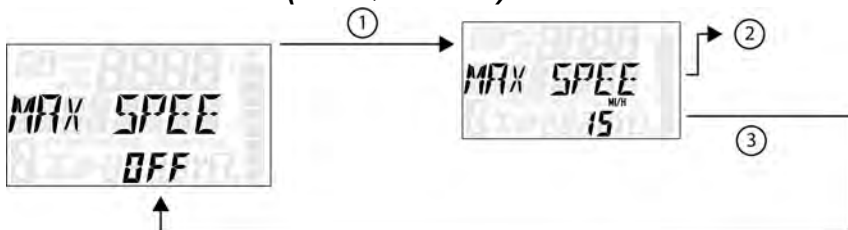
From the Advanced menu (if equipped) you can set the maximum speed, enable and disable a geofence, and more. For a full list of available options see below.



ADVANCED MENU	NOTES
Maximum Speed	Set maximum Speed
Geofence	Enable/Disable Geofence
Inside Geofence Speed	Set inside Geofence maximum vehicle speed
Outside Geofence Speed	Set outside Geofence maximum vehicle speed
Change PIN (if equipped)	Change PIN
Exit Advanced Menu	Exit

FEATURES AND CONTROLS

MAXIMUM SPEED (IF EQUIPPED)



1. Press and hold the MODE button to enter the Options Menu.

NOTICE

"OPTIONS" will display on the screen for 3 seconds before showing first menu item.

2. Select "ADVANCED MENU" by pressing the MODE Button.
3. Enter PIN.
4. Select "MAX SPEED" from the Advanced Menu by pressing the MODE button.

Reference the image shown above:

- ① Press the MODE button.
 - ② Toggle the Up/Down Buttons to increase/decrease Max Speed.
 - ③ With the desired Max Speed displayed, press the MODE button which will set the Max Speed and return to the Advanced Menu.
5. To exit the Advanced Menu the user can select Exit Menu function from Advanced Menu, can hold MODE Button and exit out of Advanced Menu, or not press any button for 10 seconds, which will exit out of the Options Menu.

NOTICE

If Geofence is active, "MAX GEOFENCE SPEED" will scroll continuously on the display screen when the vehicle reaches the predefined speed limit. Press the up or down buttons to return to the display home screen. If the vehicle remains at the predefined maximum speed, the message will repeat after 10 seconds.

GEOFENCING (IF EQUIPPED)

Before you can use the geofencing features, you must first download the POLARIS Ride Command app from the Apple App Store® or Google Play® and create an account. Enabling and disabling a geofence, as well as changing the minimum and maximum speeds, can be done using the vehicle display after a geofence boundary has been created through the Ride Command app.



⚠ WARNING

GPS accuracy can vary by region, so make certain to give adequate distance for geofence boundaries to accommodate this variation. A geofence will not stop the vehicle. It will only slow to the entered speed limit.

To access the geofencing features, do the following:

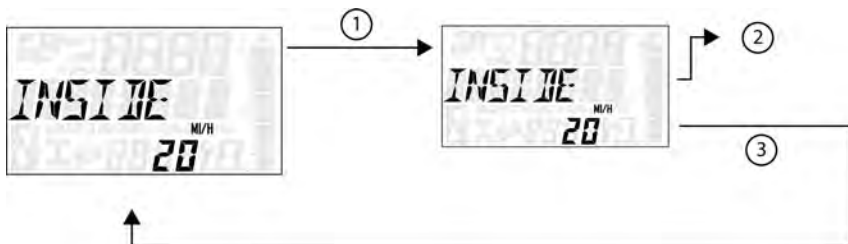
1. Press and hold the MODE button to enter the Options Menu.

NOTICE

“OPTIONS” will display on the screen for 3 seconds before showing first menu item.

2. Select “ADVANCED MENU” by pressing the MODE button.
3. Enter PIN.
4. Select “GEOFENCE” from the Advanced Menu by pressing the MODE button.
5. Toggle the Up/Down buttons to cycle through options (On/Off).
6. With the desired option displayed, press the MODE button which will set function and return to the Advanced Menu.
7. To exit the Advanced Menu, select Exit Menu. You can also hold the Mode Button, or not press any button for 10 seconds, to exit the Advanced Menu.

INSIDE GEOFENCE SPEED



1. Press and hold the MODE button to enter the Options Menu.

NOTICE

"OPTIONS" will display on the screen for 3 seconds before showing first menu item.

2. Select "ADVANCED MENU" by pressing the MODE button.
3. Enter PIN.
4. Select "INSIDE GEOFENCE SPEED" from the Advanced Menu by pressing the MODE button.

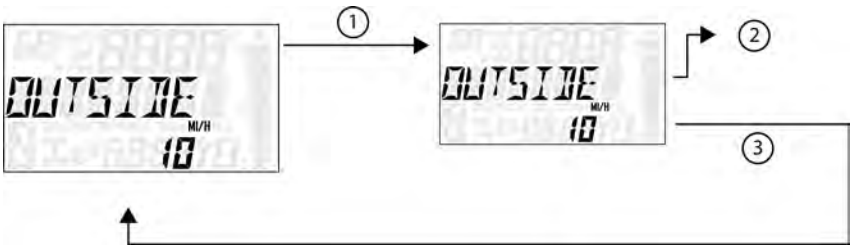
Reference the image shown above:

- ① Press the MODE button.
 - ② Toggle the Up/Down buttons to increase/decrease Inside Geofence Maximum Speed.
 - ③ With the desired speed displayed, press the MODE button which will set the Inside Geofence Speed and return to the Advanced Menu.
5. To exit the Advanced Menu the user can select Exit Menu function from Advanced Menu, can hold MODE button and exit out of Advanced Menu, or not press any button for 10 seconds, which will exit out of the Options Menu.

NOTICE

If Geofence is active, the display will scroll "IN GEOFENCE" when the vehicle enters the predefined Geofence area.

OUTSIDE GEOFENCE SPEED



1. Press and hold the MODE button to enter the Options Menu.

NOTICE

“OPTIONS” will display on the screen for 3 seconds before showing first menu item.

2. Select “ADVANCED MENU” by pressing the MODE button.
3. Enter PIN.
4. Select “OUTSIDE GEOFENCE SPEED” from the Advanced Menu by pressing the MODE button.

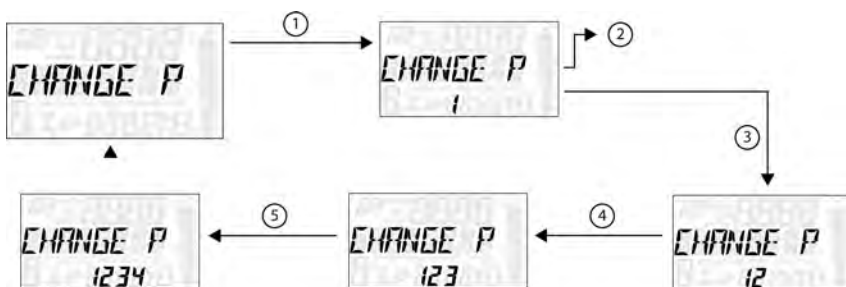
Reference the image shown above:

- ① Press the MODE button.
 - ② Toggle the Up/Down Buttons to increase/decrease Outside Geofence Maximum Speed.
 - ③ With the desired speed displayed, press the mode button which will set the Outside Geofence Speed and return to the Advanced Menu.
5. To exit the Advanced Menu the user can select Exit Menu function from the Advanced Menu, can hold Mode button and exit out of Advanced Menu, or not press any button for 10 seconds, which will exit out of the Options Menu.

NOTICE

If Geofence is active, the display will scroll “OUT GEOFENCE” when the vehicle exits the predefined Geofence area.

CHANGE PIN



1. Press and hold the MODE button to enter the Options Menu.

NOTICE

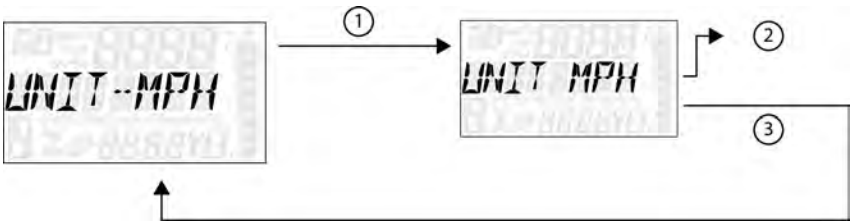
“OPTIONS” will display on the screen for 3 seconds before showing first menu item.

2. Select “ADVANCED MENU” by pressing the MODE button.
3. Enter PIN.
4. Select “CHANGE PIN” from the Advanced Menu by pressing the MODE button.

Reference the image shown above:

- ① Press the MODE button.
 - ② Toggle the Up/Down buttons to increase/decrease the first digit of the new PIN.
 - ③ With the desired first digit of the new PIN displayed, Press the MODE button which will set the digit and move to the 2nd digit.
 - ④ Toggle the Up/Down Buttons to increase/decrease the 2nd digit of the new PIN. Press MODE button to set 2nd digit and move on to the 3rd digit.
 - ⑤ Toggle the Up/Down Buttons to increase/decrease the 3rd digit of the new PIN. Press MODE button to set 3rd digit and move on to the 4th digit.
5. Press the MODE button to set the 4th digit and exit.
 6. To exit the Advanced Menu the user can select Exit Menu function from Advanced Menu, can hold Mode button and exit out of Advanced Menu, or not press any button for 10 seconds, which will exit out of the Options Menu.

UNIT SELECTION DISTANCE



1. Press and hold the MODE button to enter the Options Menu.

NOTICE

"OPTIONS" will display on the screen for 3 seconds before showing first menu item.

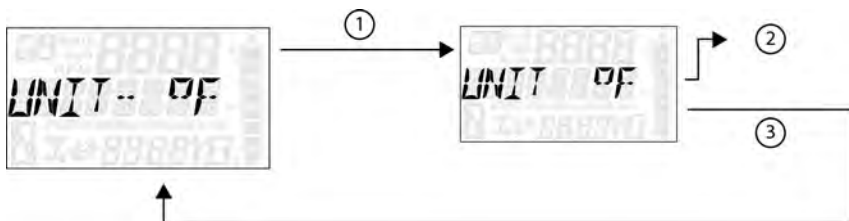
2. Select "Units-Distance" from the Options Menu by pressing the MODE button.

Reference the image shown above:

- ① Press the MODE button.
- ② Toggle the Up/Down Buttons to change the units (MPH or KPH)
- ③ With the correct unit displayed, Press the mode button which will set the unit and return to the Options Menu.

3. To exit the Options Menu the user can select Exit Menu function from Options Menu, can hold Mode Button and exit out of Options Menu, or not press any button for 10 seconds, which will exit out of the Options Menu.

UNIT SELECTION TEMPERATURE



1. Press and hold the MODE button to enter the Options Menu.

NOTICE

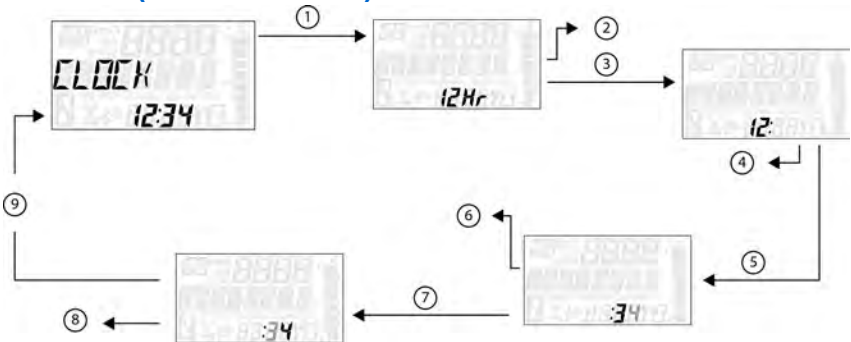
"OPTIONS" will display on the screen for 3 seconds before showing first menu item.

2. Select "Units - Temp" from the Options Menu by pressing the MODE button.

Reference the image shown above:

- ① Press the MODE button.
 - ② Toggle the Up/Down Buttons to change the units (°F or °C)
 - ③ With the correct unit displayed, Press the mode button which will set the unit and return to the Options Menu.
3. To exit the Options Menu the user can select Exit Menu function from Options Menu, can hold Mode Button and exit out of Options Menu, or not press any button for 10 seconds, which will exit out of the Options Menu.

CLOCK (IF EQUIPPED)



1. Press and hold the MODE button to enter the Options Menu.

NOTICE

"OPTIONS" will display on the screen for 3 seconds before showing first menu item.

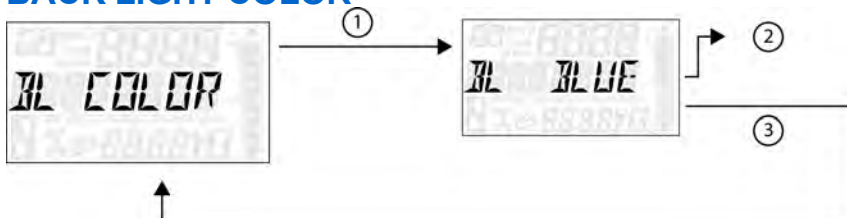
2. Select "Clock" from the Options Menu by pressing the MODE button.

Reference the image shown above:

- ① Press the MODE button.
- ② Toggle the Up/Down Buttons to change the units (12H or 24H)
- ③ With the correct unit displayed, Press the mode button which will set the unit.
- ④ Toggle the Up/Down Buttons to change the units (Cycles Hours)
- ⑤ With the correct unit displayed, Press the mode button which will set the unit.
- ⑥ Toggle the Up/Down Buttons to change the units (Cycles 10s of Minutes)
- ⑦ With the correct unit displayed, Press the mode button which will set the unit.
- ⑧ Toggle the Up/Down Buttons to change the units (Cycles 1s of Minutes)
- ⑨ With the correct unit displayed. Press the mode button which will set the unit and return to the Options menu.

3. To exit the Options Menu the user can select Exit Menu function from Options Menu, can hold Mode Button and exit out of Options Menu, or not press any button for 10 seconds, which will exit out of the Options Menu.

BACK LIGHT COLOR



1. Press and hold the MODE button to enter the Options Menu.

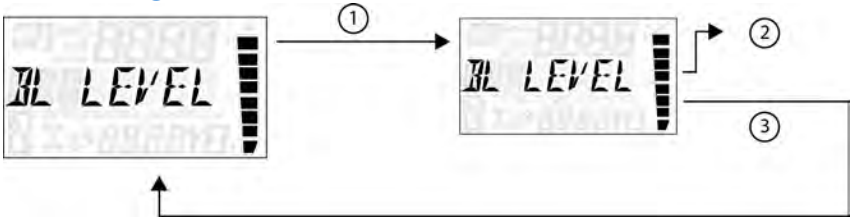
NOTICE

"OPTIONS" will display on the screen for 3 seconds before showing first menu item.

2. Select "Backlight Color" from the Options Menu by pressing the MODE button.

Reference the image shown above:

- ① Press the MODE button.
 - ② Toggle the Up/Down Buttons to change the units (Blue or Red)
 - ③ With the correct unit displayed, Press the MODE button which will set the unit and return to the Options Menu.
3. To exit the Options Menu the user can select Exit Menu function from Options Menu, can hold MODE Button and exit out of Options Menu, or not press any button for 10 seconds, which will exit out of the Options Menu.

BACK LIGHT LEVEL

1. Press and hold the MODE button to enter the Options Menu.

NOTICE

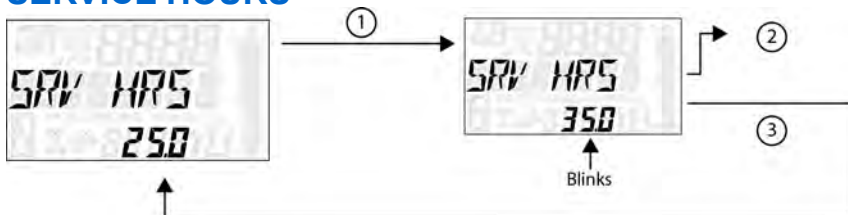
"OPTIONS" will display on the screen for 3 seconds before showing first menu item.

2. Select "Backlight Level" from the Options Menu by pressing the MODE button.

Reference the image shown above:

- ① Press the MODE button.
 - ② Toggle the Up/Down Buttons to change the units (Increase or Decrease Level)
 - ③ With the correct unit displayed, Press the MODE button which will set the unit and return to the Options Menu.
3. To exit the Options Menu the user can select Exit Menu function from Options Menu, can hold MODE Button and exit out of Options Menu, or not press any button for 10 seconds, which will exit out of the Options Menu.

SERVICE HOURS



1. Press and hold the MODE button to enter the Options Menu.

NOTICE

“OPTIONS” will display on the screen for 3 seconds before showing first menu item.

2. Select “Service Hours” from the Options Menu by pressing the MODE button.

Reference the image shown above:

- ① Press the MODE button.
- ② Toggle the Up/Down Buttons to change the units (0, 5, 10 - 95, 100)
- ③ With the correct unit displayed, press the MODE button, which will set the unit and return you to the Options Menu.

NOTICE

To reset service hours after they have counted down to “0.0”, reselect the existing setpoint or select a new service hour value.

3. To exit the Options Menu the user can select Exit Menu function from Options Menu, can hold MODE Button and exit out of Options Menu, or not press any button for 10 seconds, which will exit out of the Options Menu.

ELECTRONIC POWER STEERING (EPS) (IF EQUIPPED)

Electronic power steering (EPS), if equipped, engages when the ignition key is turned to the ON position. EPS remains engaged whether the vehicle is moving or idle. See the Instrument Cluster section for EPS Warning Indicator information.

NOTICE

Never switch EPS modes while the vehicle is in motion. Ensure the vehicle is fully stopped and no force is applied to the steering system before switching EPS modes.

EPS has three modes: high, medium, low. To set the EPS mode, do the following.

1. Stop the ATV and put it in PARK.
2. Press and hold the MODE button to enter the Options Menu. "OPTIONS" will display on the screen for 3 seconds before showing the first menu item.
3. Select "EPS" from the Options Menu by pressing the MODE button.
4. Toggle the Up/Down Buttons to choose between the high, medium, and low modes.
5. Press the MODE button to lock in the EPS setting.



FEATURES AND CONTROLS

AUXILIARY OUTLET

A 12-volt accessory outlet is located on the pod. Use the outlet to power an auxiliary light or other optional accessories or lights.



FUEL CAP

This vehicle is equipped with a digital fuel gauge that will indicate a low fuel condition. Refuel when the gauge indicates a low fuel condition.

Always refuel with the engine stopped, and outdoors or in a well ventilated area. Refuel on a level surface.

Remove the fuel tank cap to add fuel to the fuel tank. Use only unleaded gasoline with a minimum pump octane number of 87 = (R + M/2) octane. Do not use fuel with ethanol content greater than 10 percent, such as E-85 fuel.

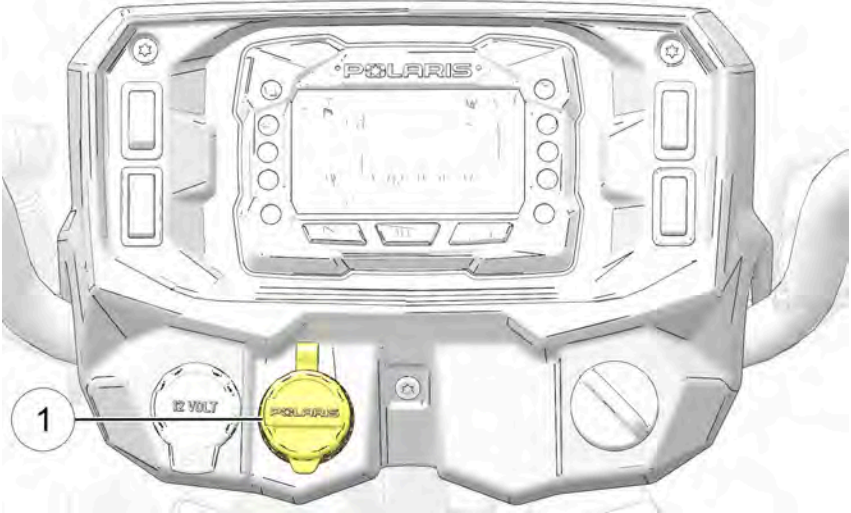


BATTERY CHARGE PORT

Your vehicle is equipped with a battery charge port ①. The battery charge port allows you to quickly and easily connect a battery charger or maintainer to your vehicle's battery. For more information see page 178.

NOTICE

Image is for reference only. Your model might differ slightly.



7" DISPLAY BY RIDE COMMAND (IF EQUIPPED)

RIDE COMMAND OVERVIEW

WARNING

Driving while distracted can result in loss of vehicle control, crash, and injury. We strongly recommend that you use extreme caution when using any device that may take your focus off the trail. Your primary responsibility is the safe operation of your vehicle. We recommend against the use of any hand-held device while riding and encourage the use of voice-operated systems when possible. Be aware of all applicable local laws that may affect the use of electronic devices while riding.



For the latest information about your Ride Command display, including software, maps, and trail updates, please visit: ridecommand.polaris.com/display.

BEFORE YOU RIDE

WARNING

Failure to pay attention to operating your vehicle could result in loss of control, injury, or death. Always concentrate on riding. Do not enter information while operating your vehicle. Some features are limited when vehicle is in motion.

Before riding with your new display, do the following:

7" DISPLAY BY RIDE COMMAND (IF EQUIPPED)

- Download the Polaris RIDE COMMAND App from the Apple®/Google Play® store and create your personalized account.
- Check your display to ensure you have the appropriate maps and trails visible for your area. To change or update maps/trails see page 81.
- Trails change often, and the trail data file is only considered valid for 90 days after the release date. Please keep your trail data up to date. Download the latest trails at <http://ridecommand.polaris.com>.

NOTICE

Using the display for an extended period of time while the vehicle's engine is off can drain the battery.

DEVICE OPERATING REQUIREMENTS

Phone functionality, in pairing with this display, is dependent on the capabilities of your cell phone.






NOTICE

Some cell phones or operating systems will not work as shown in this manual.

RIDE COMMAND BUTTONS



7" DISPLAY BY RIDE COMMAND (IF EQUIPPED)

BUTTON	DESCRIPTION	FUNCTION
	① 5-Way User Interface (UI) Control	Moves the cursor and pans the focus on the map screen.
	② Up Button	Zooms in when using the map and scrolls up through lists of features.
	③ Polaris Button	Opens and closes the Badge Panel.
	④ Down Button	Zooms out when using the map and scrolls down through lists of features.
	⑤ Back Button	Cycles all screens and backs user out of menus.

GAUGE SCREEN

The Gauge Screen displays upon start-up and will serve as your primary interface when operating the vehicle.

The Gauge Screen is fully customizable and can be configured to display as much, or as little, vehicle information as you like. Options include vehicle speed, RPM, fuel level, engine temperature, engine hours, trip meter, battery voltage, and compass.



7" DISPLAY BY RIDE COMMAND (IF EQUIPPED)

CONFIGURE GAUGE SCREEN

The display allows up to four customized gauge screens. All but one screen can be deleted; one will always remain as the default.

NOTICE

In the gauge configuration panel, display buttons and hand controls will not work. You must use the touchscreen to change screen settings and layouts.

Follow the instructions below to create customized gauge screens.

1. Press the **Gear** icon in the bottom right corner of the touchscreen.
2. On the right side of the configuration panel, press the **Screens** tab ① followed by the **Add New** button ②.



3. In the left side panel, choose a gauge layout from the three provided options.



ICON	DESCRIPTION
③	Two circular widgets and up to three linear widgets.
④	Up to five linear widgets.
⑤	Four circular widgets.

4. Select the **Data** tab ⑥. As the widget slots on the left are selected, the selection of what data item to populate that widget slot with is selected on from the list on the right.

7" DISPLAY BY RIDE COMMAND (IF EQUIPPED)

For single value slots, choose 1 data item. For list slots, choose up to 3 or up to 5 data items, depending on the configuration of the gauge layout as selected above.



NOTICE

Keep your display software up-to-date as more widget options become available. For more information, see page 81.

5. Reorder the widgets by pressing and holding down on the widget and sliding the widget up or down into the desired position.



6. Click the green check mark or **Done** to close the configuration panel.

7" DISPLAY BY RIDE COMMAND (IF EQUIPPED)

GAUGE VIEW MODE

Press ① to toggle between the two available gauge view modes, analog and digital.



7" DISPLAY BY RIDE COMMAND (IF EQUIPPED)

ICON BAR

The Icon Bar is located across the top of the touchscreen and displays cell phone, headset, and wireless internet connectivity, fuel level, compass heading and local time.

NOTICE

The Icon Bar will not appear when the Badge Panel is open.



ICON	DESCRIPTION	FUNCTION
①	Mobile Device Indicator	Displays icon if mobile device is connected
②	Headset Indicator	Displays icon if headset is connected
③	Cellular Signal Strength	Displays current cellular signal strength
④	Wireless Internet Signal Strength (if equipped)	Displays current wireless internet signal strength (if equipped)
⑤	Drive Mode	Displays current drive mode. When in standard mode, "STD MODE" will only show for 10 seconds.
⑥	Active Decent Control (ADC)	Displays icon if ADC is enabled
⑦	Fuel Level	Displays current fuel capacity percentage

7" DISPLAY BY RIDE COMMAND (IF EQUIPPED)

ICON	DESCRIPTION	FUNCTION
⑧	Vehicle Direction	Displays vehicle direction
⑨	Clock	Displays current time

7" DISPLAY BY RIDE COMMAND (IF EQUIPPED)

BADGE PANEL

The Badge Panel provides easy access to frequently used features, basic display and vehicle controls, and a list of recent notifications.



- ① Controls Tab
- ② Notifications Tab
- ③ Ride Mode
- ④ EPS Level Assist
- ⑤ Day/Night Display Mode
- ⑥ All Settings Button
- ⑦ Badge Panel Button
- ⑧ Display Brightness
- ⑨ App Tray

ACCESSING THE BADGE PANEL

There are two ways to open the Badge Panel, press the **Badge Panel** button (Polaris Logo) ① at the top of the touchscreen or the **Polaris Menu** hard button ② on the right of the display.



7" DISPLAY BY RIDE COMMAND (IF EQUIPPED)

APP TRAY

The App Tray provides easy access to key features on the display screen. Tap on any of the listed icons to navigate to that display screen. For example, tap the **Maps** button to navigate to the Map Screen, or press the **Music** button to navigate to the Audio Screen.

CONTROLS TAB

Press the **Controls** tab to change display mode, display brightness, activate heated grips, and change fuel type.

DISPLAY MODE

From the Controls tab, select the **Display Mode** from the available options. The display mode can be set to Day, Night, or AUTO mode.

Day Mode



Night Mode



DISPLAY BRIGHTNESS

From the Controls tab, select **Display Brightness** by moving the touchscreen slider to the left or right. Press the AUTO check box to allow the screen to adjust automatically based on ambient light conditions.

NOTIFICATIONS TAB

Press the **Notifications** tab to view DTC codes, installed software, and vehicle warnings.

7" DISPLAY BY RIDE COMMAND (IF EQUIPPED)

ENGINE OVERHEAT INDICATOR

If the engine goes over temperature, a red banner will appear at the top of your display stating: ENGINE OVERHEATING – STOP IMMEDIATELY.

The appearance of this banner indicates continued operation of your ATV could result in serious engine damage.

The engine management system will automatically reduce engine power and set a fault. Stop the engine immediately. Allow the engine to cool down.



NOTICE

If engine overheating seems to be caused by something other than poor cooling conditions, see your dealer or other qualified technician for service.

PARKING BRAKE INDICATOR

A parking brake notification should appear in a similar manner to the Engine Overheat Indicator, reading “RELEASE BRAKES,” if attempting to drive while the parking brake is engaged. Engine power will be limited if the parking brake is engaged while the vehicle is motion.

The engine management system will automatically reduce engine power and set a fault. If you see this warning, stop the vehicle and disengage the parking brake before continuing.

The appearance of this banner indicates continued operation of your ATV could result in damage to the braking system or vehicle.

SOFTWARE & MAP UPDATES OVER-THE-AIR (IF EQUIPPED)

Displays equipped with Wi-Fi connectivity will check for updates automatically once the display is successfully connected to a network. When a software update is available, a notification will be shown on the display. The notification will prompt you to download and install the update.

7" DISPLAY BY RIDE COMMAND (IF EQUIPPED)

USB DRIVE

NOTICE

Before updating the display, always export your existing rides and waypoints to a secondary USB drive to avoid losing them. Do not save them to the same USB used for installing the software update. You must use an empty USB drive for all software and map updates.

To update the display software, complete the following steps:

ON YOUR PERSONAL COMPUTER

NOTICE

For optimal download speed and connection stability, it is recommended to have a wired internet connection to your personal computer while downloading updates to your USB flash drive.

1. Go to ridecommand.polaris.com.
2. Log in to your account, or create a new account.
3. Click **Garage** on the menu bar and select **Map & Software Updates** from the menu.
4. From the list of displays, click **7" ATV (7S)** from the list.
5. Follow the on-screen direction on how to download the latest software or map to a USB flash drive (8+ GB).

ON YOUR ATV

1. Plug the USB drive into your vehicle's USB port and turn on the display.
2. On the Ride Command display, press the **Badge Panel** button at the top of the screen, followed by **All Settings**.
3. Select **General** from the tabs on the left, and scroll down to **Update Software** or **Update Maps / Trails**.
4. Select the file you wish to load (the latest will be automatically displayed next to the newest version detected on the USB drive for software updates).
5. The display will reboot and install the software or map updates.
6. After your display has restarted and you've determined the update to be successful, power down your vehicle before disconnecting your USB flash drive from the vehicle.

ERROR MESSAGES

If an error occurs while updating your software or map, perform one or all of the following measures to resolve the issue:

7" DISPLAY BY RIDE COMMAND (IF EQUIPPED)

1. Ensure you are using the recommended USB flash drive.
2. Remove and reconnect the USB flash drive securely.
3. Ensure display files are not inside a folder on the flash drive.
4. Only POLARIS display files should be on the flash drive while performing updates. Remove other files, if necessary.
5. Format the USB drive on your personal computer using the exFAT® formatting system.
6. Try a different USB flash drive.

USB HARDWARE

SOFTWARE UPDATES

For software updates, POLARIS recommends using a SanDisk®, Kingston®, or similar USB flash drive with a minimum of 1GB in available memory, formatted using the exFAT® file systems. For best results remove all files from the flash drive before starting the update process.

MAP, TRAIL AND POINT OF INTEREST UPDATES

For Map, Trail and Point of Interest updates, a 64GB or larger USB drive is required (USB 3.0 drive is highly recommended). USB drive must be formatted to exFAT® before copying the map file onto it.

RIDE COMMAND+ (IF EQUIPPED)

Your vehicle may come equipped with RIDE COMMAND+ technology, which gives you access to your vehicle's custom information including Vehicle Health, Vehicle Locator and Issue Diagnostics along with a variety of features via the Polaris mobile app. You will need a cellular connection to view these features.

To learn more about RIDE COMMAND+, including equipped or compatible vehicles, specific features, and to access the RIDE COMMAND+ User Guide, visit <https://ridecommand.polaris.com/en-us/ride-command-plus/> or scan the QR code:



Disclaimer: RIDE COMMAND+ features vary by region.

OPERATION

SAFE OPERATION PRACTICES

 **WARNING**

Failure to operate the vehicle properly can result in a collision, loss of control, accident or rollover, which may result in serious injury or death. Read and understand all safety warnings outlined in the safety section of this owner's manual.

1. Complete the recommended safety training before operating this vehicle. Visit www.atvsafety.org for safety courses and riding tips. See page 13 for details.
2. Do not allow anyone under 16 years of age to operate this vehicle. Do not allow anyone with cognitive or physical disabilities to operate this vehicle.
3. Never carry a passenger on a 1-up ATV. Never carry more than one passenger on a 2-up ATV.
4. Engine exhaust fumes are poisonous. Never start the engine or let it run in an enclosed area.
5. Before operating, learn how to use the auxiliary brake for emergency situations (if service brakes become inoperable).
6. Use caution and drive at reduced speeds in conditions of reduced visibility such as fog, rain and darkness. Clean headlights frequently and replace burned out headlamps promptly.
7. Drive in a manner appropriate for your skills, your passenger's skills (if you are operating a 2-up ATV), and operating conditions. Never operate at excessive speeds. Never attempt wheelies, jumps, or other stunts. Never remove your hands from the handlebars while operating, and always keep both feet on the footrests.
8. Never consume alcohol or drugs before or while operating an ATV.
9. Always use the size and type of tires specified for your vehicle. Always maintain proper tire pressure.
10. Never operate a damaged ATV. After any overturn or accident, have a qualified service dealer inspect the entire machine for possible damage.
11. Never operate the ATV on a frozen body of water unless you have independently verified that the ice is sufficiently thick to support the weight and moving force of the ATV, you and your cargo, together with any other vehicles in your party.

OPERATION

12. Do not touch hot exhaust system components. Always keep combustible materials away from the exhaust system.
13. Always remove the ignition key when the vehicle is not in use to prevent unauthorized use.

TRAIL ETIQUETTE

Always practice good etiquette when riding. Allow a safe distance between your vehicle and other vehicles operating in the same area. Communicate to oncoming operators by signaling the number of vehicles in your group. When stopping, move your vehicle to the edge of the trail as far as possible to allow others to pass safely.

KNOW YOUR RIDING AREA/TREAD LIGHTLYSM

Familiarize yourself with all laws and regulations concerning the operation of this vehicle in your area. Respect the environment in which you ride your vehicle. Find out where the designated riding areas are by contacting your POLARIS dealer, a local riding club, or local officials.

Help keep our trails open for recreational vehicle use. As an off-road enthusiast, you represent the sport and can set a good example (or a poor example) for others to follow. Tread LightlySM. Operate with respect for the terrain, avoid littering, and always stay on the designated trails.

VEHICLE BREAK-IN PERIOD

The break-in period for your new POLARIS vehicle is the first 25 hours of operation, or the time it takes to use the first two tanks full of gasoline. No single action on your part is as important as a proper break-in period. Careful treatment of a new engine and drive components will result in more efficient performance and longer life for these components. Perform the following procedures carefully.

NOTICE

Excessive heat build-up during the first three hours of operation will damage close-fitted engine parts and drive components. Do not operate at full throttle or high speeds during the first three hours of use.

Use of any improper oils may cause serious engine damage. POLARIS PS-4 Full Synthetic 5W-50 4-Cycle Oil is specifically formulated for your 4-cycle engine.

ENGINE AND DRIVETRAIN BREAK-IN

1. Fill the fuel tank with gasoline. Always exercise extreme caution whenever handling gasoline.
2. Check the oil level. See the Oil Level Check section for reference. Add the recommended oil as needed to maintain the oil level in the safe operating range.
3. Drive slowly at first. Select an open area that allows room to familiarize yourself with vehicle operation and handling.
4. Avoid aggressive use of the brakes.
5. Vary throttle positions. Do not operate at sustained idle.
6. Pull only light loads.
7. Perform regular checks on fluid levels, controls, and areas outlined in the pre-ride inspection checklist.
8. During the break-in period, change both the engine oil and filter at 25 hours or 500 miles (800 km) (whichever comes first).
9. During the break-in period, change the front gearcase fluid at 25 hours or 500 miles (800 km) (whichever comes first).
10. During the break-in period, check the transmission fluid level at 25 hours or 500 miles (800 km) (whichever comes first).

OPERATION

BRAKE SYSTEM BREAK-IN

Apply only moderate braking force for the first 50 stops. Aggressive or overly forceful braking when the brake system is new could damage brake pads and rotors.

Perform the following steps on a new vehicle or anytime brake pads are replaced on the vehicle:

1. In an appropriate riding area, safely slow the vehicle with moderate (70%) braking from 30 mph (50 km/h) down to 5 mph (8 km/h). Do not stop completely in order to keep air flowing through the brakes.
2. Repeat for 10-20 cycles and let the brakes cool between each cycle by riding your vehicle approximately 0.25 miles (400 m).
3. After you have completed all 20 cycles, ride the ATV for awhile to cool the braking system to avoid overheating the brakes.
4. Stop the vehicle and put the transmission in PARK. DO NOT apply the parking brake until the brake system has fully cooled.

PVT BREAK-IN (CLUTCHES / BELT)

A proper break-in of the clutches and drive belt will ensure a longer life and better performance. Break in the clutches and belt by operating at slower speeds during the break-in period as recommended. Pull only light loads. Avoid aggressive acceleration and high speed operation during the break-in period.

If a belt fails and you need to replace it, always clean all debris from the PVT intake and outlet duct, the clutch, and the engine components.

PRE-RIDE CHECKLIST

Failure to inspect and verify that the ATV is in safe operating condition before operating increases the risk of an accident. Always inspect the ATV before each use to make sure it's in safe operating condition.

ITEM	REMARKS	PAGE
Brake system/lever travel	Ensure proper operation. Inspect for adequate brake pad life.	page 42 page 134
Brake fluid	Ensure proper level	page 42 page 44
Auxiliary brake	Ensure proper operation	page 134
Front suspension	Inspect, lubricate if necessary	-
Rear suspension	Inspect, lubricate if necessary	-
Steering	Ensure free operation	-
Tires	Inspect condition and pressure	page 142
Wheels/fasteners	Inspect, ensure fastener tightness	page 144
Fuel and oil	Ensure proper levels	page 124
Coolant level	Ensure proper level	page 132
Coolant hoses	Inspect for leaks	-
Throttle	Ensure proper operation	page 34
Indicator lights/switches	Ensure operation	page 48
Engine stop switch	Ensure proper operation	page 33
Air filter	Inspect, clean, or replace	page 146
Headlamp	Check operation	page 34
Brake light/taillight	Check operation	-
Riding gear	Wear approved helmet, goggles, and protective clothing	page 13
Winch (if equipped)	Inspect cable and switch	page 105
Grass and leaves	Remove grass, leaves, foreign matter, and other flammable material or debris, especially near the exhaust system.	-

OPERATION

DRIVING PROCEDURES

NEW OPERATOR DRIVING PROCEDURES

1. Complete a certified safety training course. See the Safety Training section.
2. Wear protective riding gear. See the Safe Riding Gear section.
3. Perform the pre-ride inspection.
4. Place the transmission in PARK.
5. Lock the brake holding latch.
6. Mount the vehicle from the left side.
7. Sit upright with both feet on the footrests and both hands on the handlebars.
8. Start the engine and allow it to warm up.
9. Shift the transmission into gear.
10. Check your surroundings and determine your path of travel.
11. Release the brake holding latch.
12. Slowly depress the throttle with your right thumb and begin driving.
13. Drive slowly. Practice maneuvering and using the throttle and brakes on level surfaces.



TURNING THE VEHICLE

Both rear wheels drive equally at all times. This means that the outside wheel must travel a greater distance than the inside wheel when turning, and the inside tire must slip traction slightly.

1. Slow down.
2. Never turn quickly when carrying cargo.
3. Steer in the direction of the turn.
4. Keep both feet on the footrests.
5. Lean your upper body to the inside of the turn while supporting your weight on the outer footrest. This technique alters the balance of traction between the rear wheels, allowing the turn to be made smoothly. The same leaning technique should be used for turning in reverse.
6. Practice making turns at slow speeds before attempting to turn at faster speeds.

 **WARNING**

Turning improperly can result in vehicle overturn. Never turn abruptly or at sharp angles. Never turn at high speeds.

OPERATION

DRIVING ON SLIPPERY SURFACES

WARNING

Skidding or sliding can cause loss of control or rollover (if tires regain traction unexpectedly). When operating on slippery surfaces such as ice or loose gravel, reduce speed and use extra caution to reduce the chance of skidding or sliding out of control. Do not operate on excessively slippery surfaces.



Whenever riding on slippery surfaces such as wet trails or loose gravel, or during freezing weather, follow these precautions:

1. Do not operate on excessively rough, slippery or loose terrain.
2. Slow down when entering slippery areas.
3. Engage 4X4 before wheels begin to lose traction.

NOTICE

Severe damage to drive train may occur if the 4X4 is engaged while the wheels are spinning. Allow the rear wheels to stop spinning before engaging 4X4, or engage 4X4 before wheels begin to lose traction.

4. Maintain a high level of alertness, reading the trail and avoiding quick, sharp turns, which can cause skids.
5. Never apply the brakes during a skid. Correct a skid by turning the handlebars in the direction of the skid and shifting your body weight forward.

DRIVING UPHILL

Braking and handling are greatly affected when operating in hilly terrain. Improper procedure could cause loss of control or overturn. Whenever traveling uphill, follow these precautions:

1. Always engage ADC before ascending or descending a hill.
2. Drive straight uphill.
3. Avoid steep hills. **Maximum incline is: 25°**
4. Always check the terrain carefully before ascending any hill.
5. Never climb hills with excessively slippery or loose surfaces.
6. Keep both feet on the footrests.
7. Shift body weight uphill.
8. Proceed at a steady rate of speed and throttle opening. Opening the throttle suddenly could cause the ATV to flip over backwards.
9. Never go over the top of any hill at high speed. An obstacle, a sharp drop, or another vehicle or person could be on the other side of the hill.
10. Remain alert and be prepared to take emergency action. This may include quick dismounting of the vehicle.

DRIVING DOWNHILL



When driving downhill, follow these precautions:

1. Always check the terrain carefully before descending a hill.
2. Always engage ADC mode before ascending or descending a hill.
3. Avoid steep hills. **Maximum incline is 25°**
4. Always descend a hill with the transmission in forward gear. Do not descend a hill with the transmission in neutral.
5. Slow down. Never travel down a hill at high speed.
6. Drive straight downhill. Avoid traveling down a hill at an angle, which would cause the vehicle to lean sharply to one side.
7. Shift body weight uphill.
8. Apply the brakes *slightly* to aid in slowing. Applying the brakes too firmly may cause the rear wheels to lock, which could result in loss of control.

DRIVING ON A SIDEHILL (SIDEHILLING)



Driving on a sidehill is not recommended. Improper procedure could cause loss of control or overturn. Avoid crossing the side of any hill unless absolutely necessary.

If crossing a sidehill is *unavoidable*, follow these precautions:

1. Slow down.
2. Avoid crossing the side of a steep hill.
3. Lean into the hill, transferring your upper body weight toward the hill while keeping your feet on the footrests.
4. If the vehicle begins to tip, quickly turn the front wheel downhill, if possible, or dismount on the uphill side *immediately!*

TURNING AROUND ON A HILL (K-TURN)

If the vehicle stalls while climbing a hill, never back it down the hill! Use the K-turn to turn around.

1. Stop and lock the parking brake while keeping body weight uphill.
2. Always move the 4X4 switch to ADC 4X4 before ascending or descending a hill. See the Switch Location section for details.
3. Leave the transmission in forward and shut off the engine.
4. Dismount on the uphill side of the vehicle, or on the left if the vehicle is pointing straight uphill.
5. Staying uphill of the vehicle, turn the handlebars full left.
6. While holding the brake lever, release the parking brake lock and slowly allow the vehicle to roll around to your right until it's pointing across the hill or slightly downward.
7. Lock the parking brake. Remount the vehicle from the uphill side, keeping body weight uphill. Start the engine with the transmission still in forward.
8. Release the parking brake and proceed *slowly*, controlling speed with the brake lever, until the vehicle is on more level ground.

DRIVING THROUGH WATER

NOTICE

Major engine damage can result if the vehicle is not thoroughly inspected after operation in water. Perform the services outlined in the Maintenance chapter.

The following areas need special attention: engine oil, transmission fluid, demand drive fluid, and all grease fittings.

If the vehicle tips or overturns in water, or if the engine stops during or after operating in water, service is required before starting the engine. Your POLARIS dealer can provide this service. If it's impossible to bring the vehicle in before starting the engine, perform the service outlined in the Vehicle Immersion section of this manual, and take the vehicle in for service at the first opportunity.

Your ATV can operate through water with a maximum recommended depth equal to the bottom of the footrests.

Follow these procedures when operating through water:

1. Determine water depths and current before entering water.
2. Choose a crossing where both banks have gradual inclines.
3. Avoid operating through deep or fast-flowing water.



4. After leaving water, test the brakes. Apply them lightly several times while driving slowly. The friction will help dry out the pads.

If it's unavoidable to enter water deeper than the footrest level:

- Proceed slowly. Avoid rocks and obstacles.
- Balance your weight carefully. Avoid sudden movements.
- Maintain a steady rate of speed. Do not make sudden turns or stops. Do not make sudden throttle changes.

DRIVING OVER OBSTACLES



Follow these precautions when operating over obstacles:

1. Always check for obstacles before operating in a new area.
2. Look ahead and learn to read the terrain. Be constantly alert for hazards such as logs, rocks and low hanging branches.
3. Travel slowly and use extra caution when operating on unfamiliar terrain. Not all obstacles are immediately visible.
4. Never attempt to operate over large obstacles, such as rocks or fallen trees.
5. If you are operating a 2-up ATV, always have the passenger dismount before you operate over an obstacle that could cause a fall from the vehicle or vehicle tipover.

DRIVING IN REVERSE



Follow these precautions when operating in reverse:

1. Always check for obstacles or people behind the vehicle.
2. Always avoid backing downhill.
3. Back slowly.
4. Apply the brakes *lightly* for stopping.
5. Avoid turning at sharp angles.
6. Never open the throttle suddenly.
7. Do not use the override switch unless additional wheel speed is required for vehicle movement. Use the override with caution as rearward vehicle speed is greatly increased. Do not operate at wide open throttle. Operate the throttle just enough to maintain a desired speed.

NOTICE

Excessive throttle operation while in the speed limit mode may cause fuel to build in the exhaust, resulting in engine popping and/or engine damage.

OPERATION

STARTING THE ENGINE

1. Position the vehicle on a level surface outdoors or in a well-ventilated area.
2. Place the transmission in PARK.
3. Lock the parking brake.
4. Sit on the vehicle and move the engine stop switch to RUN.

NOTICE

Do not press the throttle while starting the engine.

5. Turn the ignition key past the ON position to engage the starter. Activate the starter for a maximum of five seconds, releasing the key when the engine starts.
6. If the engine does not start, return the key to the OFF position and wait five seconds before attempting to start again. Activate the starter for another five seconds if necessary. Repeat this procedure until the engine starts.

NOTICE

Operating the vehicle immediately after starting could cause engine damage. Allow the engine to warm up for several minutes before operating the vehicle.

COLD WEATHER OPERATION

If the vehicle is used year-round, check the oil level frequently. A rising oil level could indicate the accumulation of contaminants such as water or excess fuel in the bottom of the crankcase. Water in the bottom of the crankcase can lead to engine damage and must be drained. Water accumulation increases as outside temperature decreases.

STOPPING THE ENGINE

1. Release the throttle completely and brake to a complete stop.
2. Place the transmission in PARK.
3. Turn the key to the OFF position.
4. Slowly release the brake pedal and make sure the transmission is in PARK before exiting the vehicle.

WARNING

A rolling vehicle can cause serious injury. Always place the transmission in PARK before stopping the engine.

FUEL RECOMMENDATION

Polaris recommends using fresh Unleaded 87 Octane TOP TIER DETERGENT GASOLINE® containing up to 10% ethanol purchased during the season of vehicle usage. This fuel will provide the best engine performance (starting, run quality, fuel economy, and power) and durability.

Octane Rating

Polaris recommends a minimum of 87 Octane (R+M/2) rated gasoline. Using lower octane gasoline could result in engine damage.

Ethanol Content

Polaris recommends gasoline containing up to 10% ethanol (E10). Higher levels of ethanol (ex. E15 and E85) may result in engine damage.

Detergent Gasoline

Polaris recommends TOP TIER DETERGENT GASOLINE® to keep the engine cleaner by reducing carbon deposits, which will help maintain engine performance and durability. Refer to www.toptiergas.com for a list of TOP TIER DETERGENT GASOLINE® retailers. Alternatively, the logo shown below on the retailer's fuel pump will confirm that TOP TIER DETERGENT GASOLINE® is being dispensed.



If TOP TIER DETERGENT GASOLINE® is not available, adding Polaris Carbon Clean to the fuel tank at every oil change will help reduce carbon deposits.

Seasonal Blends

Polaris recommends using gasoline that is purchased during the season the vehicle is being used, especially summer vs. winter. Between seasons, refineries typically change the gasoline blend to avoid temperature induced engine performance issues. Winter blend gasoline improves engine starting in cold weather and summer blend gasoline helps prevent vapor lock issues in hot weather.

PARKING THE VEHICLE

1. Stop the vehicle on a level surface. When parking inside a garage or other structure, be sure that the structure is well ventilated and that the vehicle is not close to any source of flame or sparks, including any appliance with pilot lights.
2. Place the transmission in PARK.
3. Turn the engine off.
4. Slowly release the brake pedal and make sure the transmission is in PARK before exiting the vehicle.
5. Remove the ignition key to prevent unauthorized use.

PARKING ON AN INCLINE

Avoid parking on an incline if possible. If it's unavoidable, follow these precautions:

1. Stop the engine.
2. Lock the parking brake.
3. Place the transmission in PARK.
4. Always block the rear wheels on the downhill side.

HAULING CARGO

CARGO WARNING

WARNING

Overloading the vehicle or carrying or towing cargo improperly can alter vehicle handling and may cause loss of control or brake instability, which can result in serious injury or death. Always follow these precautions when hauling cargo:

REDUCE SPEED AND ALLOW GREATER DISTANCES FOR BRAKING WHEN HAULING CARGO.

NEVER EXCEED THE MAXIMUM WEIGHT CAPACITY of the vehicle. When determining the weight you are adding to the vehicle, include the weight of the operator, passenger (if you are operating a 2-up ATV), accessories, loads in the rack or box and the load on the trailer tongue. The combined weight of these items must not exceed the maximum weight capacity.

CARGO WEIGHT DISTRIBUTION should be 1/3 on the front rack and 2/3 on the rear rack. When operating over rough or hilly terrain, reduce speed and cargo to maintain stable driving conditions. Carrying loads on only one rack increases the possibility of vehicle overturn.

CARRY LOADS AS LOW ON THE RACKS AS POSSIBLE. Carrying loads high on the racks raises the center of gravity of the vehicle and creates a less stable operating condition.

SECURE ALL LOADS BEFORE OPERATING. Unsecured loads can create unstable operating conditions, which could result in loss of control of the vehicle.

WARNING

OPERATE ONLY WITH STABLE AND SAFELY ARRANGED LOADS. When handling off-centered loads that cannot be centered, securely fasten the load and operate with extra caution. Always attach the tow load to the hitch point designated for your vehicle.

HEAVY LOADS CAN CAUSE BRAKING AND CONTROL PROBLEMS. Use extreme caution when applying brakes with a loaded vehicle. Avoid terrain or situations that may require backing downhill.

USE EXTREME CAUTION when operating with loads that extend over the rack sides. Stability and maneuverability may be adversely affected, causing the vehicle to overturn.

DO NOT BLOCK THE FRONT HEADLIGHT BEAM when carrying loads on the front rack.

DO NOT TRAVEL FASTER THAN THE RECOMMENDED SPEEDS.

The vehicle should never exceed 10 mph (16 km/h) while towing a load on a level surface. Vehicle speed should never exceed 5 mph (8 km/h) when towing loads in rough terrain, while cornering, or while ascending or descending a hill.

OPERATION

HAULING CARGO GUIDELINES

When hauling cargo, adhere to the following:

1. Never exceed the weight capacities specified for your ATV on warning labels and in the specifications section of this manual.
2. **Models With Racks:** Cargo weight should be evenly distributed with 1/3 on the front rack and 2/3 on the rear rack and mounted as low as possible.
3. **All Models:** NEVER exceed 50 mph (80 kph) when rear cargo loads are above 75 lbs (34 kg) and/or front cargo loads are above 37 lbs (17 kg).
4. When operating over rough or hilly terrain, reduce speed and cargo weight to maintain stable driving conditions.
5. Do not obstruct the headlight beam with cargo.
6. Slow down.
7. Use low forward gear when hauling or towing heavy cargo.
8. Always operate the vehicle with extreme caution whenever hauling or towing loads. Balance, handling and control may be affected.

TOWING LOADS

Always attach a towed load to the hitch point. Remove the hitch from the ATV when not towing a trailer. If towing a load, reduce rear rack cargo weight by the amount of tongue weight.

- The combination of rear rack cargo weight and tongue weight must not exceed the rear rack capacity.
- The total load (operator, accessories, cargo and weight on hitch) must not exceed the maximum weight capacity of the vehicle.

NOTICE

Using an improper hitch or exceeding the maximum tongue weight capacity can result in serious damage to the vehicle. Never install a hitch longer than 4" (10 cm). Never install automotive accessories on your POLARIS ATV. Always install POLARIS-approved (or equivalent) accessories designed for ATV use.

TOWING YOUR VEHICLE

If towing your vehicle is necessary, shift the transmission into neutral for better mobility and to prevent damage to the belt. Always attach the tow cable to the front tow loop of the disabled vehicle. A rider must be on board to steer the disabled vehicle while towing.

WINCH GUIDE (IF EQUIPPED)

WINCH SAFETY

These safety warnings and instructions apply if your vehicle came equipped with a winch or if you choose to add an accessory winch to your vehicle.

 **WARNING**

Improper winch use can result in SEVERE INJURY or DEATH. Always follow all winch instructions and warnings in this manual.

Your winch may have a cable made of either wire rope or specially designed synthetic rope. The term “winch cable” will be used for either unless noted otherwise.

WINCH SAFETY PRECAUTIONS

1. Read all sections of this manual.
2. Never use alcohol or drugs before or while operating the winch.
3. Never allow children under 16 years of age to operate the winch.
4. Always wear eye protection and heavy gloves when operating the winch.
5. Always keep body, hair, clothing and jewelry clear of the winch cable, fairlead and hook when operating winch.
6. Never attempt to “jerk” a load attached to the winch with a moving vehicle. See the *Shock Loading* section on page 113.
7. Always keep the area around the vehicle, winch, winch cable, and load clear of people (especially children) and distractions while operating the winch.
8. Always turn the vehicle ignition power OFF when it and the winch are not being used.
9. Always be sure that at least five (5) full turns of winch cable are wrapped around the winch drum at all times. The friction provided by this wrapped cable allows the drum to pull on the winch cable and move the load.
10. Always apply your vehicle’s park brake and/or park mechanism to hold the vehicle in place during winching. Use wheel chocks if needed.
11. Always align the vehicle and winch with the load directly in front of the vehicle as much as possible. Avoid winching with the winch cable at an angle to the winching vehicle’s centerline whenever possible.

WINCH GUIDE (IF EQUIPPED)

12. If winching at an angle is unavoidable, follow these precautions:
 - a. Look at the winch drum occasionally. Never let the winch cable “stack” or accumulate at one end of the winch drum. Too much winch cable at one end of the winch drum can damage the winch and the winch cable.
 - b. If stacking occurs, stop winching. Follow step 15 of Winch Operation to feed and rewind the cable evenly before continuing the winch operation.
13. Never winch up or down at sharp angles. This can destabilize the winching vehicle and possibly cause it to move without warning.
14. Never attempt to winch loads that weigh more than the winch’s rated capacity.
15. The winch motor may become hot during winch use. If you winch for more than 45 seconds, or if the winch stalls during operation, stop winching and permit the winch to cool down for 10 minutes before using it again.
16. Never touch, push, pull or straddle the winch cable while winching a load.
17. Never let the winch cable run through your hands, even if wearing heavy gloves.
18. Never release the clutch on the winch when the winch cable is under load.
19. Never use the winch for lifting or transporting people.
20. Never use the winch to hoist or suspend a vertical load.
21. Always inspect your winch and winch cable before each use.
22. Never winch the hook fully into the winch. This can cause damage to winch components.
23. Unplug the remote control from the vehicle when the winch is not in use to prevent inadvertent activation and use by unauthorized persons.
24. Never grease or oil the winch cable. This will cause the winch cable to collect debris that will shorten the life of the cable.



WINCH OPERATION

Read the Winch Safety Precautions in the preceding pages before using your winch.

TIP

Consider practicing the operation and use of your winch before you actually need to use it in the field.

⚠ WARNING

Improper winch use can result in **SEVERE INJURY** or **DEATH**. Always follow all winch instructions and warnings in this manual.

Each winching situation is unique.

- Take your time to think through the winching you are about to do.
 - Proceed slowly and deliberately.
 - Never hurry or rush during winching.
 - Always pay attention to your surroundings.
 - You may need to change your winching strategy if it is not working.
 - Always remember that your winch is very powerful.
 - There are simply some situations that you and your winch will not be able to deal with. Do not be afraid to ask others to help when this happens.
1. Always inspect the vehicle, winch, winch cable and winch controls for any signs of damage or parts in need of repair or replacement before each use. *Pay particular attention to the first 3 feet (1 meter) of winch cable if the winch is being used (or has been used) for lifting an accessory plow assembly.* Promptly replace any worn or damaged cable.
 2. Never operate a winch or a vehicle in need of repair or service.
 3. Always apply your vehicle's park brake and/ or park mechanism to hold the vehicle in place during winching. Use wheel chocks if needed.
 4. Always use the hook strap when handling the hook.



WINCH GUIDE (IF EQUIPPED)

WARNING

Never put your fingers into the hook. This could lead to SEVERE INJURY.

- Attach the hook itself onto the load or use a tow strap or chain to secure the load to the winch cable.



TIP

A “tow strap” is NOT intended to stretch. A “recovery strap” is designed to stretch.

WARNING

Never use a recovery strap when winching due to the excessive energy that can be released if the winch cable breaks. This can result in SEVERE INJURY or DEATH. See the *Shock Loading* section on page 113.

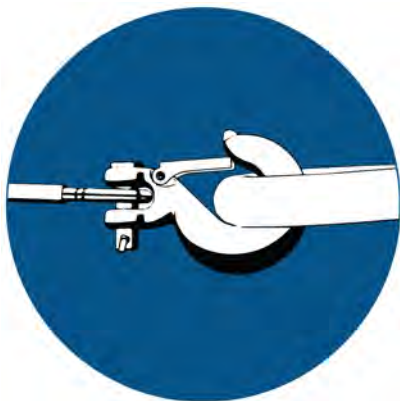
- Never hook the winch cable back onto itself. This will damage the winch cable and may result in winch cable failure.

WARNING

Replace the winch cable at the first sign of damage to prevent SEVERE INJURY or DEATH in the event of failure. For your safety, always replace POLARIS winch parts (including the cable) with genuine POLARIS replacement parts available at your authorized POLARIS dealer, or other qualified dealer.

WINCH GUIDE (IF EQUIPPED)

- If possible, keep the winch cable aligned with the centerline of the winching vehicle. This will help the spooling of the winch cable and reduce the load on the fairlead.
- If freeing a stuck vehicle by attaching to a tree, use an item such as a tow strap to avoid damaging the tree during winch operation. Sharp cables and chains can damage and even kill trees. Please remember to Tread LightlySM (treadlightly.org).
- Before operating the winch, be sure that the safety latch on the winch cable hook is fully seated when the load is attached.
- Never operate your winch with a damaged hook or latch. Always replace damaged parts before using the winch.



5. Never remove the hook strap from the hook.
6. Release the winch clutch and pull out the winch cable.
7. Pulling out as much cable as possible maximizes the winch's pulling capacity. Always be sure that at least five (5) full turns of winch cable are wrapped around the winch drum at all times. The friction provided by this wrapped cable allows the drum to pull on the winch cable and move the load.
8. Read and adhere to the following information for winch damping to ensure safe winch use.
 - a. In order to absorb energy that could be released by a winch cable failure, always place a "damper" on the winch cable. A damper can be heavy jacket, tarp, or other soft, dense object. A damper can absorb much of the energy released if a winch cable breaks when winching. Even a tree limb can help as a damper if no other items are available to you.
 - b. Lay the damper on top of the mid-point of the winch cable length that is spooled out.

WINCH GUIDE (IF EQUIPPED)

- c. On a long pull, it may be necessary to stop winching so that the damper can be repositioned to the new mid-point of the winch cable. Always release the tension on the winch cable before repositioning the damper.
 - d. Avoid being directly in line with the winch cable whenever possible. Also, never permit others to stand near or in line with the winch cable during winch operation.
9. Never hook the winch cable back onto itself. This will damage the winch cable and may result in winch cable failure.
10. Never use straps, chains or other rigging items that are damaged or worn.
11. The ONLY time a winch-equipped vehicle should be moving when using the winch is when that vehicle itself is stuck. The winch equipped vehicle should NEVER be in motion to “shock” load the winch cable in an attempt to move a second stuck vehicle. See the Shock Loading section on page 113. For your safety, always follow these guidelines when winching a vehicle free:
 - a. Release the winch clutch and spool out the necessary length of winch cable.
 - b. Align the winch cable as close as possible to the winching vehicle's centerline.
 - c. Attach the winch cable hook to the anchor point or the stuck vehicle's frame following instructions in this manual.
 - d. Re-engage the clutch on the winch.
 - e. Slowly winch in the slack in the winch cable.
 - f. Select the proper vehicle gear to propel the stuck vehicle in the direction of winching.
 - g. Shift to the lowest gear available on the stuck vehicle.
 - h. Slowly and carefully apply vehicle throttle and winch together to free the vehicle.
 - i. Stop winching as soon as the stuck vehicle is able to propel itself without the help of the winch.
 - j. Detach the winch cable hook.
 - k. Rewind the winch cable evenly back onto the winch drum following the instructions in this manual.
12. Never attempt to winch another stuck vehicle by attaching the winch cable to a suspension component, brush guard, bumper or cargo rack. Vehicle damage may result. Instead, attach the winch to a strong portion of the vehicle frame or hitch.

WINCH GUIDE (IF EQUIPPED)

13. Extensive winching will run down the battery on the winching vehicle. Let the winching vehicle's engine run while operating the winch to prevent the battery from running low if winching for long periods.
14. The winch motor may become hot during winch use. If you winch for more than 45 seconds, or if the winch stalls during operation, stop winching and permit the winch to cool down for 10 minutes before using it again.
15. After winching is complete, especially if winching at an angle, it may be necessary to re-distribute the winch cable across the winch drum. You will need an assistant to perform this task.
 - a. Release the clutch on the winch.
 - b. Feed out the winch cable that is unevenly bunched up in one area.
 - c. Re-engage the winch clutch.
 - d. Have an assistant pull the winch cable tightly with about 100 lbs. (45 kg) of tension using the hook strap.
 - e. Slowly winch the cable in while your assistant moves the end of the winch cable back and forth horizontally to evenly distribute the winch cable on the drum.
 - f. Doing this reduces the chances of the winch cable "wedging" itself between lower layers of winch cable.

WINCH GUIDE (IF EQUIPPED)

WINCH CABLE CARE

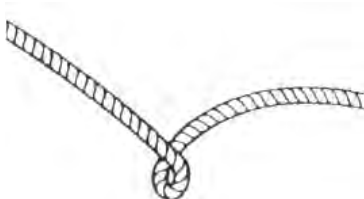
WARNING

Use of worn or damaged cable could lead to sudden failure and SEVERE INJURY.

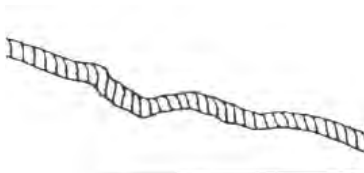
For your safety, always replace POLARIS winch parts (including the cable) with genuine POLARIS replacement parts available at your authorized POLARIS dealer, or other qualified person.

1. Always inspect your winch before each use. Inspect for worn or loose parts including mounting hardware. Never use the winch if any part needs repair or replacement.
2. Always inspect your winch cable before each use. Inspect for worn or kinked winch cable.

A kinked winch cable made of wire rope is shown at right. Even after being “straightened out,” this cable has already been permanently and severely damaged. Promptly discontinue use of a winch cable in this condition.



A kinked winch cable made of wire rope that has been “straightened out” is shown at right. Even though it may look usable, the cable has been permanently and severely damaged. It can no longer transmit the load that it could prior to kinking. Promptly discontinue use of a winch cable in this condition.



A winch cable made of synthetic rope should be inspected for signs of fraying. Replace the cable if fraying is observed (shown below). Promptly discontinue use of a winch cable in this condition. Also replace the winch cable if there are frayed or melted fibers. Such an area of the synthetic rope will be stiff and appear smooth or glazed. Promptly discontinue use of a winch cable in this condition.



SHOCK LOADING

 **WARNING**

Your winch cable is very strong but it is NOT designed for dynamic, or “shock” loading. Shock loading may tension a winch cable beyond its strength and cause the cable to break. The end of a broken winch cable under such high loading can cause SEVERE INJURY or DEATH to you and other bystanders.

Winch cables are designed to NOT absorb energy. This is true of both wire-rope and synthetic-rope winch cables.

1. Never attempt to “jerk” a load with the winch. For example, never take up slack in the winch cable by moving the winching vehicle in an attempt to move an object. This is a dangerous practice. It generates high winch cable loads that may exceed the strength of the cable. Even a slowly moving vehicle can create large shock loads in a winch cable.

 **WARNING**

SEVERE INJURY or DEATH can result from a broken winch cable.

2. Never quickly turn the winch ON and OFF repeatedly (“jogging”). This puts extra load on the winch, winch cable, and generates excessive heat from the motor. This is a form of shock loading.
3. Never tow a vehicle or other object with your winch. Towing an object with a winch produces shock loading of the cable even when towing at slow speeds. Towing from a winch also positions the towing force high on the vehicle. This can cause instability of the vehicle and possibly lead to an accident.
4. Never use recovery straps with your winch. Recovery straps are designed to stretch and can store energy. This stored energy in the recovery strap is released if a winch cable fails making the event even more hazardous. Similarly, never use elastic “bungie” cords for winching.
5. Never use the winch to tie down a vehicle to a trailer or other transportation vehicle. This type of use also causes shock loading that can cause damage to the winch, winch cable, or vehicles used.

Your winch cable is designed and tested to withstand the loads produced by the winch motor when operated from a stationary vehicle. Always remember that the winch and winch cable are NOT designed for shock loading.

WINCH MAINTENANCE AND SERVICE SAFETY

 **WARNING**

Improper or lack of winch maintenance and service could lead to **SEVERE INJURY** or **DEATH**. Always follow all winch instructions and warnings in this manual.

1. Always inspect your winch before each use. Inspect for worn or kinked winch cable. Also inspect for worn or loose parts including mounting hardware.
2. Permit your winch motor to cool down prior to servicing your winch.
3. Never work on your winch without first disconnecting the battery connections to prevent accidental activation of the winch.
4. For your safety, always replace POLARIS winch parts (including the cable) with genuine POLARIS replacement parts available at your authorized POLARIS dealer, or other qualified person.
5. Some winch models use wire rope as the winch cable. Other winches use a specially designed synthetic rope as the winch cable.
6. Never replace a synthetic-rope winch cable with a consumer-grade polymer rope such as can be purchased in a hardware store. Although they may look similar, they are **NOT** alike. A polymer rope not designed for winch use will stretch and store excessive energy when winching.

 **WARNING**

Failure of a stretched rope under winching conditions will release all of the stored energy. This will increase the chances of **SEVERE INJURY** or **DEATH**.

EMISSION CONTROL SYSTEMS

NOISE EMISSION CONTROL SYSTEM

Do not modify the engine, intake or exhaust components, as doing so may affect compliance with U.S.A. EPA noise control requirements (40 CFR 205) and local noise level requirements.

OPERATION ON PUBLIC LANDS IN THE U.S.A.

Your vehicle has a spark arrester that was tested and qualified to be in accordance with the USFS standard 5100-1a. Federal law requires that this spark arrester be installed and functional when the vehicle is operated on public lands.

Operation of off-road vehicles on public lands in the U.S.A. is regulated by 43 CFR 420. Violations are subject to monetary penalties. Federal regulations can be viewed online at <https://ecfr.federalregister.gov/current/title-43/subtitle-B/chapter-I/part-420>.

CRANKCASE EMISSION CONTROL SYSTEM

This engine is equipped with a closed crankcase system. Blow-by gases are forced back to the combustion chamber by the intake system. All exhaust gases exit through the exhaust system.

EXHAUST EMISSION CONTROL SYSTEM

Exhaust emissions are controlled by engine design. An electronic fuel injection (EFI) system controls fuel delivery. The engine and EFI components are set at the factory for optimal performance and are not adjustable.

The emissions label is located on the right front frame of the vehicle.

ELECTROMAGNETIC INTERFERENCE

This spark ignition system complies with Canadian ICES-002.

This vehicle complies with the EMC requirements of UN ECE Regulation 10.

Non-ionizing Radiation: This vehicle emits some electromagnetic energy. People with active or non-active implantable medical devices (such as heart monitoring or controlling devices) should review the limitations of their device and the applicable electromagnetic standards and directives that apply to this vehicle.

MAINTENANCE

PERIODIC MAINTENANCE

Any qualified repair shop or person may maintain, replace or repair the emission control devices or systems on your vehicle. An authorized POLARIS dealer can perform any service that may be necessary for your vehicle. POLARIS also recommends POLARIS parts for emissions-related service, however equivalent parts can be used.

It is a potential violation of the Clean Air Act if a part supplied by an aftermarket parts manufacturer reduces the effectiveness of the vehicle's emission controls. Tampering with emission controls is prohibited by federal law.

Owners are responsible for performing the scheduled maintenance identified in this owner's manual. Careful periodic maintenance will help keep your vehicle in safe, reliable condition. Inspect, clean, lubricate, adjust and replace parts as necessary. When inspection reveals the need for replacement parts, genuine POLARIS parts are available from your POLARIS dealer. Equivalent parts may be used for emissions-related service.

Record maintenance and service in the Maintenance Log beginning on page 227. Service and adjustments are important for proper vehicle operation. If you're not familiar with safe service and adjustment procedures, a qualified dealer can perform these operations. Maintenance intervals in the following chart are based upon average riding conditions and an average vehicle speed of approximately 10 mph (16 km/h). Vehicles subjected to severe use must be inspected and serviced more frequently.

SEVERE USE DEFINITION

Severe use is defined as:

- Frequent immersion in mud, water, or sand
- Frequent or prolonged operation in dusty environments
- Short trip cold weather operation
- Racing or racing-style high RPM use
- Prolonged low speed, heavy load operation
- Extended idle

MAINTENANCE

POLARIS MAINTENANCE SCHEDULE

The intervals shown are based on vehicles operated under normal conditions.

Each interval is given in hours and miles (kilometers). Items should be serviced at whichever interval comes first.

Continue to reference the following maintenance schedules at the given intervals as hours and miles (kilometers) increase on the vehicle.

Vehicles subjected to severe use must be serviced at 50% of the stated interval. Examples of Severe Use: Frequent immersion in mud, water, or sand, constant high RPM use, prolonged low-speed heavy load operation, extended idle, and short trip cold weather operation.

INITIAL BREAK-IN SERVICE FIRST 25 HOURS / 500 MILES (800 KM)

Brake System	Initial fluid level inspection; inspect for fluid leaks; add recommended brake fluid from a sealed container if needed. Inspect brake pad wear.
Engine Oil and Filter	Change the engine oil and filter.
Front Gearcase Fluid	Change fluid.
Transmission Fluid	Initial fluid level inspection; inspect for fluid leaks; add lubricant if needed.
The break-in period consists of the first 25 hours of operation. Careful treatment of a new engine and drive components will result in more efficient performance and longer life for these components. The items outlined in this service interval only need to be performed at the first 25 hours of operation. They do not need to be performed every 25 hours.	

Vehicles subjected to severe use must be serviced at 50% of the stated interval. Examples of Severe Use: Frequent immersion in mud, water, or sand, constant high RPM use, prolonged low-speed heavy load operation, extended idle, and short trip cold weather operation.

EVERY 100 HOURS / 1000 MILES (1600 KM) OR YEARLY

Air Filter	Replace air filter. Ensure proper installation of filter and airbox cover. Inspect ducts and screens; clean as necessary.
Battery	Check terminals; terminals should be tight and free of corrosion. Clean, test, and replace as necessary.
Brake Pad Wear	Inspect; replace as needed.
Clutches (Non-EBS)*	Inspect bushings, rollers, wearable parts; clean; replace worn parts.
Cooling System	Fluid level inspection; inspect for fluid leaks; add coolant if needed. Inspect coolant strength seasonally; pressure test system yearly.
Drive Belt	Inspect; replace as needed.
Engine Breather	Inspect; clean; replace if necessary.
Engine Oil and Filter	Change the engine oil and filter. <i>This interval only applies to the following model numbers. All other model numbers should adhere to the 200 hours / 2000 miles (3200 km) Engine Oil and Filter interval.</i> A24SEE57B1, A24SEE57B3, A24SEE57B6, A24SEE57B9, A24SEK57A4, A24SEZ57BG, A24SHR57AM
Exhaust Silencer / Pipe	Inspect for leaks or damage.
Front Gearcase Fluid	Check fluid.
Fuel System*	Cycle key to pressurize fuel pump; check for leaks at fuel system connections, check for leaks at fill cap.
General Lubrication	Locate all applicable fittings and grease.
Parking Brake	Inspect and adjust as needed.
Spark Arrestor	Clean out.

MAINTENANCE

EVERY 100 HOURS / 1000 MILES (1600 KM) OR YEARLY

Suspension Components*	Inspect tie rods, wheel bearings, suspension bushings, and ball joints for loose or worn components; replace as needed. Inspect shock absorbers for leaks or damage.
Throttle Cable (if applicable)*	Inspect; adjust; replace if necessary.
Transmission Fluid	Check fluid.
Wiring	Inspect for wear, routing, and retention.
* Have an authorized Polaris dealer or other qualified person perform these services.	

Vehicles subjected to severe use must be serviced at 50% of the stated interval. Examples of Severe Use: Frequent immersion in mud, water, or sand, constant high RPM use, prolonged low-speed heavy load operation, extended idle, and short trip cold weather operation.

ADDITIONAL MAINTENANCE INTERVALS

Every 200 hours / 2000 miles (3200 km)	Clutches (EBS)*	Inspect bushings, rollers, wearable parts; clean; replace worn parts.
	Engine Oil and Filter	Change the engine oil and filter.
	Front Gearcase Fluid	Change fluid.
	Shock Absorbers*	Inspect; replace or rebuild (if applicable) as needed.
	Spark Plugs	Inspect; replace as needed.
	Transmission Fluid	Change fluid.
Every 500 hours / 5000 miles (8000 km)	Valve Clearance*	Inspect; adjust as needed.
Every 24 months / 2 years	Brake Fluid	Change fluid.
Every 60 months / 5 years	Coolant	Change fluid.
* Have an authorized Polaris dealer or other qualified person perform these services.		

MAINTENANCE

LUBRICATION GUIDE

Check and lubricate all components at the intervals outlined in the Polaris Maintenance Schedule on page 118. Items not listed in the chart should be lubricated at the General Lubrication interval.

The a-arms and lower control arms are lubricated at the factory, and no additional lubrication will be needed. However, if these components are subjected to severe use, grease zerks have been provided for additional lubrication at the user's discretion.

ITEM	LUBE	CAPACITY	INSPECTION PROCEDURE
Engine Oil (450/570)	PS-4 5W-50 4-Cycle Oil	2 qt. (1.9 l)	Maintain level in safe range on dipstick.
Brake Fluid	DOT 4 Brake Fluid	-	Maintain level between fill lines.
Transmission Oil	AGL Gearcase Lubricant & Transmission Fluid	32 oz. (948 ml)	Maintain level at bottom of fill hole threads.
Demand Drive (Front Gearcase)	Demand Drive	9 oz. (265 ml)	Maintain level at bottom of fill hole threads.
Front Prop Shaft	U-Joint Grease	-	Grease fittings (3 pumps maximum) every 500 miles, before long periods of storage, or after pressure washing or submerging.

ENGINE OIL

WARNING

Vehicle operation with insufficient, deteriorated, or contaminated engine oil will cause accelerated wear and may result in engine seizure, accident and injury.

Always check and change the engine oil at the intervals outlined in the Polaris Maintenance Schedule. Always use the recommended engine oil.

Pay special attention to the oil level. A rise in oil level during cold weather can indicate contaminants collecting in the oil sump or crankcase. Change oil immediately if the oil level begins to rise. Monitor the oil level, and if it continues to rise, discontinue use and determine the cause. Your authorized dealer can assist.

OIL RECOMMENDATIONS

IMPORTANT

Always change the oil filter when you change the engine oil.

POLARIS recommends the use of POLARIS PS-4 Full Synthetic 5W-50 4-cycle oil or a similar oil for this engine. Oil may need to be changed more frequently if POLARIS oil is not used. Always use 5W-50 oil. Follow the manufacturer's recommendations for ambient temperature operation.

See the Lubrication Guide section for fluid recommendations and capacities.

IMPORTANT

Mixing brands or using a non-recommended oil may cause serious engine damage. Always use the recommended oil. Never substitute or mix oil brands.

MAINTENANCE

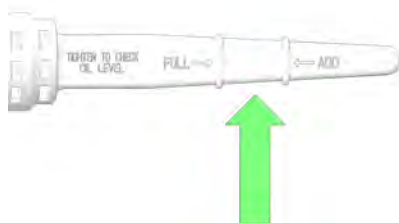
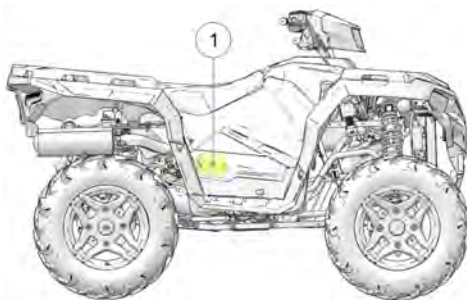
OIL LEVEL CHECK

IMPORTANT

Check the oil level when the engine is cold. Never check the oil with the engine running or damage to the dipstick and / or engine could occur.

To check the oil level, do the following:

1. Position the vehicle on a level surface. Put the transmission in PARK (P) and lock the parking brake.
2. Access the oil dipstick and fill tube from the right side of the ATV ①. Remove the dipstick. Wipe it dry with a clean cloth.
3. Reinstall and tighten the dipstick.
4. Remove the dipstick and check the oil level.
5. Add the recommended lubricant as needed. Maintain the oil level in the safe range between the FULL and ADD marks. Do NOT overfill.
6. Reinstall and tighten the dipstick.

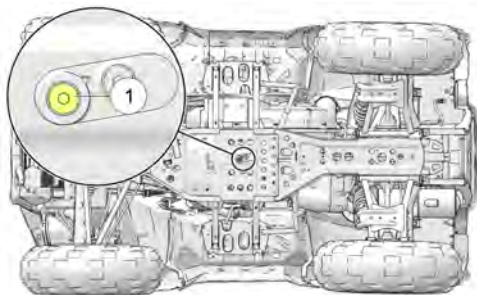


OIL AND OIL FILTER CHANGE

IMPORTANT

Always change the oil filter when you change the engine oil.

The engine oil and oil filter should be changed in accordance with the Polaris Maintenance Schedule. See the Lubrication Guide section for fluid recommendations and capacities.



1. Position the vehicle on a level surface.
2. Put the transmission in PARK (P) and lock the parking brake.
3. Clean the area around the drain plug ①.
4. Place a drain pan under the crankcase.
5. Remove the drain plug ① and washer. Allow the oil to drain completely.

CAUTION

Hot oil can cause burns to skin. Do not allow hot oil to contact skin.

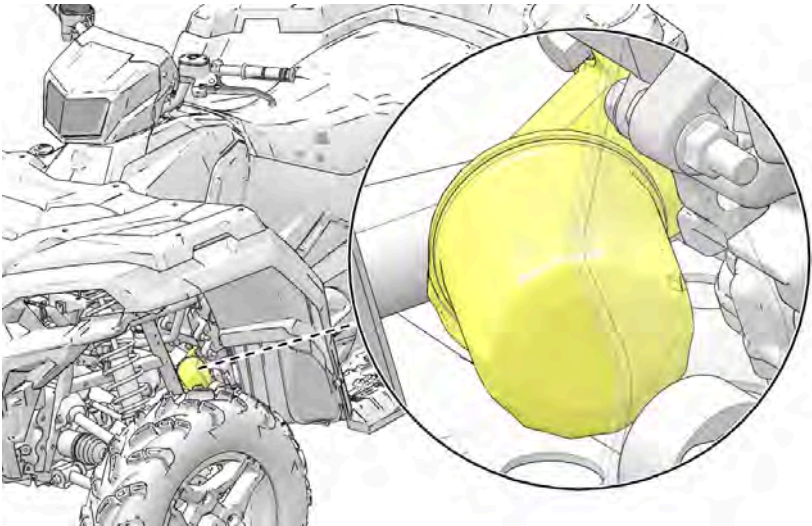
6. Install a new sealing washer on the drain plug. The sealing surfaces on drain plug and crankcase should be clean and free of burrs, nicks or scratches.
7. Reinstall the drain plug. Torque to specification.

TORQUE

Drain Plug:
12 ft-lbs (16 N·m)

MAINTENANCE

8. Place an oil drain pan and shop towels beneath the oil filter.



9. Using an oil filter wrench (available from your POLARIS dealer), turn the filter counter-clockwise to remove it.

<p>Oil Filter Wrench PU-50105</p>
--

10. Using a clean dry cloth, clean the filter sealing surface on the crankcase.
11. Lubricate the o-ring on the new filter with a film of fresh engine oil. Check to make sure the o-ring is in good condition.
12. Install the new filter and rotate it clockwise by hand until the filter gasket contacts the sealing surface, then turn it an additional 3/4 turn.
13. Remove the engine access panel on the right side of the vehicle.
14. Remove the dipstick. Add the Polaris recommended lubricant as necessary to bring the oil level within the SAFE range on the dipstick. DO NOT overfill.

<p>FLUID CAPACITY</p>
<p>Recommended Lubricant: Polaris PS-4 Synthetic 4-Cycle Engine Oil</p>
<p>Capacity: 2 qt (1.9 L)</p>

15. Reinstall the dipstick.
-

16. Start the engine. Allow it to idle for one to two minutes.
17. Stop the engine and check for leaks.
18. Check the oil level. Add engine oil as needed to bring the level to the upper mark on the dipstick. See the Oil Level Check section for proper procedure.
19. Dispose of used filter and oil properly.

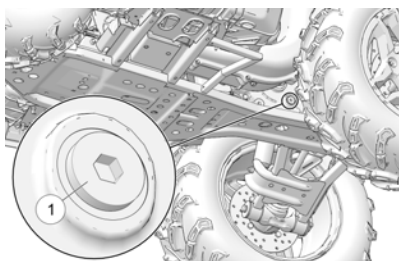
MAINTENANCE

TRANSMISSION OIL

Always check and change the transmission oil at the intervals outlined in the Polaris Maintenance Schedule. See the Lubrication Guide section for fluid recommendations and capacities. Maintain the oil level at the bottom of the fill plug hole. The fill plug is located on the left side of the ATV behind the footwell. The drain plug is located on the right side of the vehicle.

OIL CHECK

1. Remove the fill plug ①. Check the oil level. Oil should reach the bottom of the fill hole threads.
2. Slowly add the recommended fluid as needed to bring the level to the bottom of the fill hole threads.
3. Reinstall the fill plug. Torque to specification.

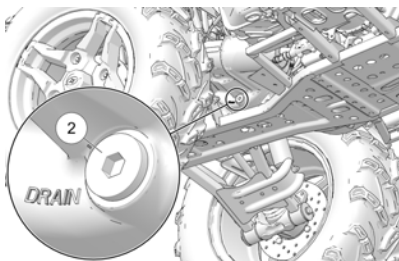


TORQUE

Fill Plug:
12 ft-lbs (16 N·m)

OIL CHANGE

1. Place a drain pan under the gearcase. Remove the drain plug ②. Allow the oil to drain completely.
2. Clean and reinstall the drain plug. Torque to specification.
3. Remove the fill plug. Slowly add the proper amount of the recommended oil. Oil should reach the bottom of the fill hole threads.



FLUID CAPACITY

Recommended Lubricant:
Polaris AGL Gearcase Lubricant
Capacity:
32 fl oz (948 mL)

4. Reinstall the fill plug. Torque to specification.
5. Check for leaks.
6. Dispose of used oil properly.

TORQUE

Drain Plug:
12 ft-lbs (16 N·m)

FRONT GEARCASE (DEMAND DRIVE) FLUID

Always check and change the demand drive fluid at the intervals outlined in the Polaris Maintenance Schedule.

Change the front gearcase fluid every 25 hours if the ADC unit is exposed to extreme use. Extreme use includes any of the following:

- operation in ADC mode for prolonged periods
- constant ADC operation on hilly or mountainous terrain
- ADC is the primary mode of all-wheel-drive operation

NOTICE

If the front gearcase makes excessive noise during ADC operation, change the demand drive fluid. If the noise continues, please see your POLARIS dealer or other qualified service facility for service.

Use the recommended fluid. Use of other fluids may result in improper operation of components. Maintain the fluid level at the bottom of the fill hole threads. The fill plug is located on the right side of the demand drive unit. The drain plug is located on the bottom right side of the unit.

MAINTENANCE

FLUID CHECK

1. Position the vehicle on a level surface. Put the transmission in PARK (P) and lock the parking brake.
2. Remove the fill plug ①. Check the fluid level, verifying the level reaches the bottom of the fill hole threads.
3. Add the recommended fluid as needed to bring the level to the bottom of the fill hole threads.

FLUID CAPACITY

Recommended Lubricant:

Polaris Demand Drive Fluid

Capacity:

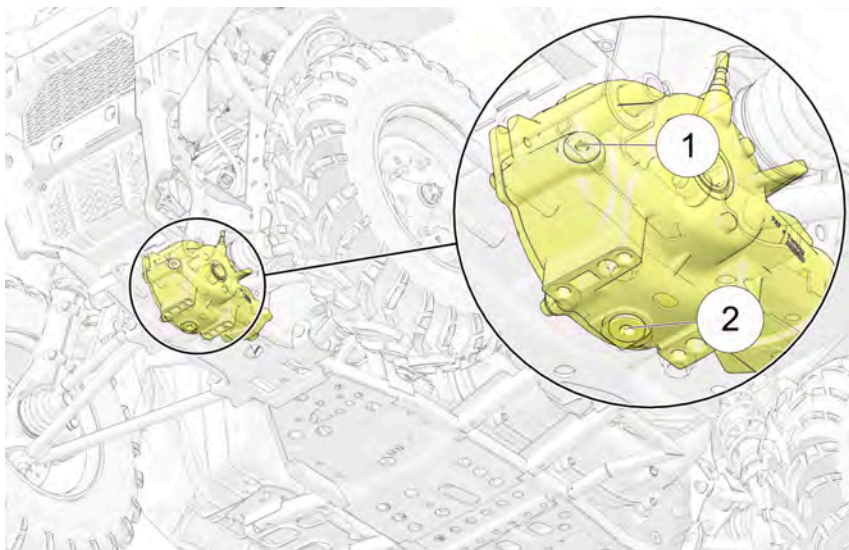
9 fl oz (265 mL)

4. Reinstall the fill plug. Torque to specification.

TORQUE

Fill Plug:

19 ft-lbs (26 N·m)



FLUID CHANGE

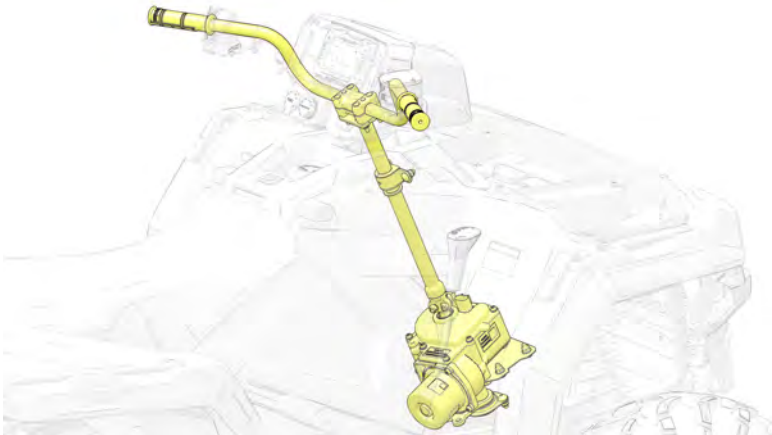
1. Position the vehicle on a level surface. Put the transmission in PARK (P) and lock the parking brake.
2. Remove the fill plug.
3. Place a drain pan under the demand drive unit. Remove the drain plug ②. Allow the fluid to drain completely.
4. Clean and reinstall the drain plug. Torque to specification.
5. Add the proper amount of the recommended fluid. Ensure the oil reaches the bottom of the fill hole threads.
6. Reinstall the fill plug. Torque to specification.
7. Check for leaks.
8. Dispose of used fluid properly.

TORQUE

Drain Plug:
19 ft-lbs (26 N·m)

POWER STEERING UNIT

If your model is equipped with power steering, frequently clean the areas on or around the bottom of the power steering unit to allow proper cooling. Clean these areas thoroughly.



STEERING ASSEMBLY

The steering assembly of the ATV should be checked periodically for loose nuts and bolts. If loose nuts and bolts are found, see your authorized dealer or other qualified service facility before operating the vehicle.

COOLING SYSTEM

The engine coolant level is controlled, or maintained, by the recovery system. The recovery system components are the recovery bottle, the radiator filler neck, the radiator pressure cap and the connecting hose.

As coolant operating temperature increases, the expanding (heated) excess coolant is forced out of the engine, past the pressure cap, and into the recovery bottle. As engine coolant temperature decreases the contracting (cooled) coolant is drawn back up from the bottle, past the pressure cap, and into the radiator.

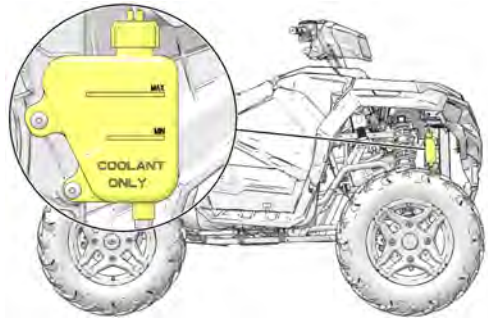
Some coolant level drop on new vehicles is normal as the system is purging itself of trapped air. Check the coolant level and maintain as recommended by adding coolant to the recovery bottle.

POLARIS recommends the use of POLARIS Antifreeze 50/50 Premix. This antifreeze is already premixed and ready to use. Do not dilute with water. See the Polaris Products section for the part numbers.

RECOVERY BOTTLE COOLANT

The recovery bottle fluid level can be accessed from the front left wheel well.

1. View the fluid level in the bottle.
2. If the level is low, remove the bottle cap and add coolant as needed. Maintain the coolant level between the minimum and maximum marks on the bottle (when the fluid/engine is cool).
3. Reinstall the cap.



4. Close and secure the front box and cover.

RADIATOR COOLANT

To ensure that the coolant maintains its ability to protect the engine, we recommend that the system be completely drained every five (5) years and fresh Antifreeze 50/50 Premix added.

Any time the cooling system has been drained for maintenance or repair, replace the coolant with fresh Antifreeze 50/50 Premix. If the recovery bottle has run dry, check the level in the radiator. Add coolant as needed.

CAUTION

Escaping steam can cause burns. Never remove the pressure cap while the engine is warm or hot. Always allow the engine to cool before removing the pressure cap.

1. Access the pressure cap under the front box. See the Front Compartment section for details.
2. Remove the pressure cap.
3. Using a funnel, slowly add coolant through the radiator filler neck.
4. Reinstall the pressure cap. Use of a non-standard pressure cap will not allow the recovery system to function properly. Your POLARIS dealer can provide the correct replacement part.
5. Close and secure the front box and cover.

BRAKES

HAND BRAKE

 CAUTION

Brake discs can become extremely hot after operation. Allow the discs to cool before performing maintenance to prevent risk of burns.

The front and rear brakes are hydraulic disc brakes, activated by moving the single brake lever toward the handlebar. These brakes are self-adjusting.

Under normal operation, the diaphragm extends into the reservoir as fluid level drops. The diaphragm is inside, under the reservoir cap, integrated into the seal for the master cylinder. If the fluid level is low and the diaphragm is not extended, a leak is likely and the diaphragm should be replaced. To ensure proper diaphragm operation, always fill the reservoir as needed whenever the cover is loosened or removed. Do not overfill.

 WARNING

An over-full master cylinder may cause brake drag or brake lock-up, which could result in serious injury or death. Maintain brake fluid at the recommended level. Do not overfill.

The following checks are recommended to keep the brake system in good operating condition. Check more often if brakes are used heavily under normal operation.

1. Always keep brake fluid at an adequate level. See the Master Cylinder/Brake Fluid section for details.
2. Check the brake system for fluid leaks.
3. Check the brakes for excessive travel or spongy feel.
4. Check the friction pads for wear, damage and looseness. Replace brake pads when they are worn to .030" (0.762 mm).
5. Check the security and surface condition of the disc. Clean any grease using a recommended brake cleaner or alcohol. Do not use spray lubricants or other petroleum-based products. If you discover any damage (cracks, excessive corrosion, warping) see your dealer for service before operating.

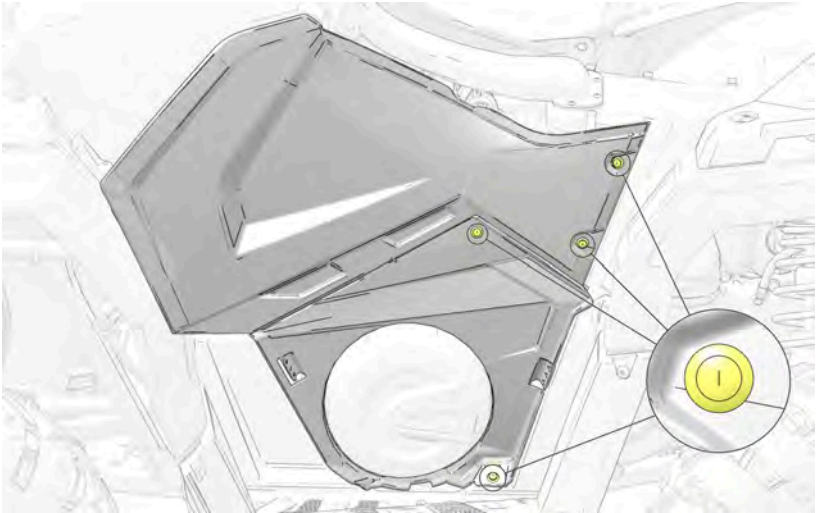
AUXILIARY FOOT BRAKE

The hydraulic auxiliary brake system requires no adjustment. Check the brake fluid level frequently for the auxiliary brake system. See page 44 for more information.

SIDE PANEL / FOOTWELL REMOVAL

LEFT SIDE PANEL / FOOTWELL REMOVAL

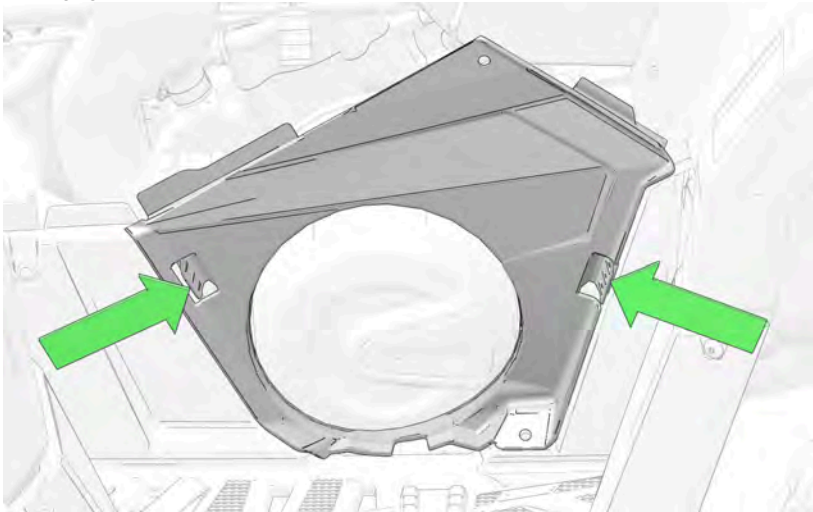
1. Remove the seat.
2. Use the Multi-Function Pliers (included in your vehicle's toolkit) to remove the four push rivets from the side panel / close off panel.



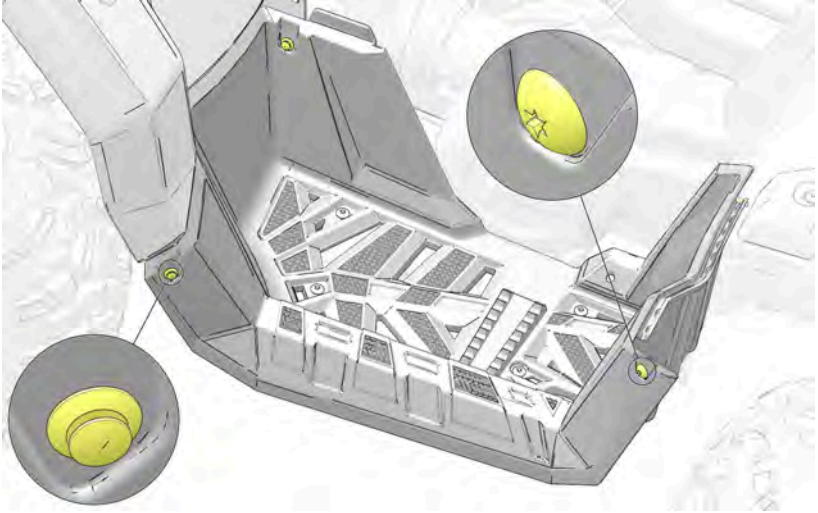
3. Grasp the rear of the side panel. With a firm motion, pull the side panel outward to disengage it from the vehicle.

MAINTENANCE

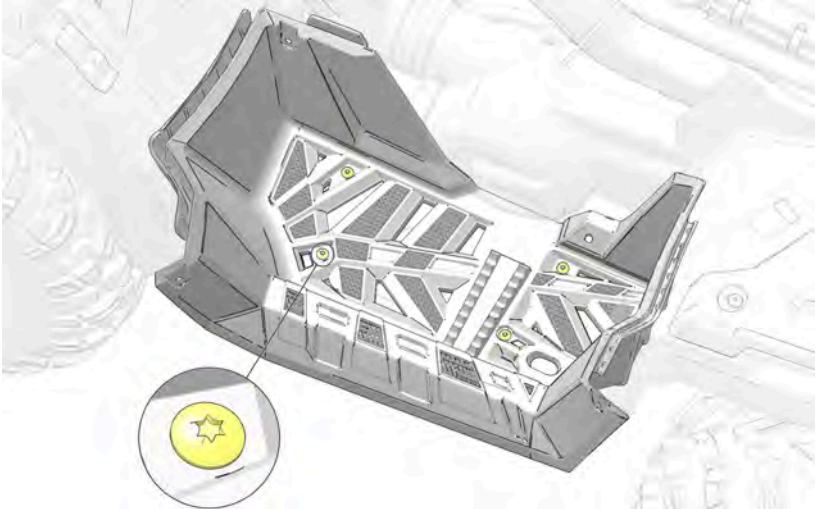
4. Pull on each latch of the close off panel and pull the panel downward to disengage it from the vehicle.



5. Remove the two screws and two push rivets from the footwell.

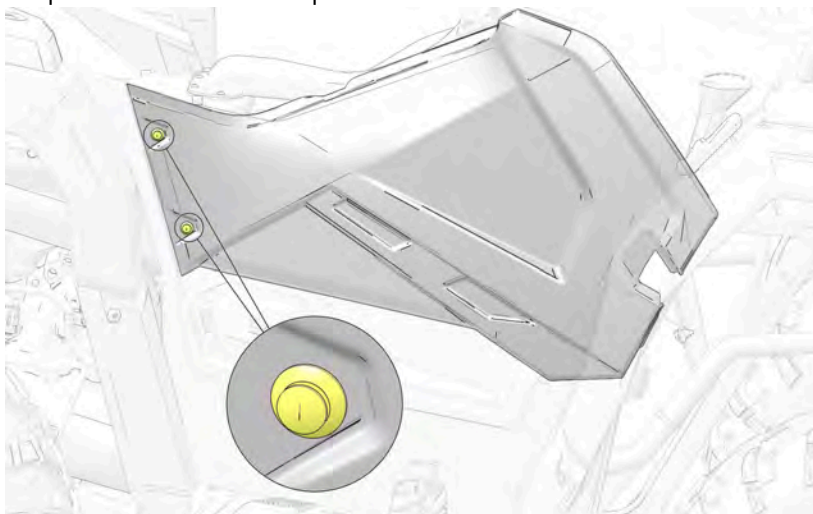


6. Remove the four screws and nuts from the bottom of the footwell. Pull the footwell downward and outward to disengage it from the vehicle.



RIGHT SIDE PANEL / FOOTWELL REMOVAL

1. Remove the seat.
2. Use the Multi-Function Pliers (included in your vehicle's toolkit) to remove the two push rivets from the side panel.

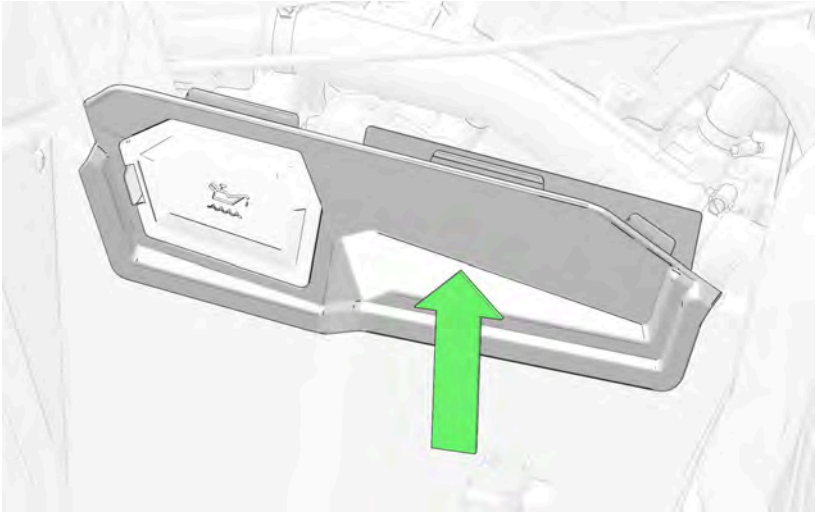


3. Grasp the rear of the side panel. With a firm motion, pull the side panel outward to disengage it from the vehicle.

4. Lift the close off panel / shield upward to disengage it from the vehicle.

NOTICE

The engine access panel is also removed.



5. Remove the two screws and two push rivets from the footwell.
6. Remove the four screws and nuts from the bottom of the footwell. Pull the footwell downward and outward to disengage it from the vehicle.

SIDE PANEL / FOOTWELL INSTALLATION

LEFT SIDE PANEL / FOOTWELL INSTALLATION

1. Install the footwell onto the vehicle. Loosely install the four screws and nuts into the bottom of the footwell.

NOTICE

Observe the condition of each push rivet and check for damage. If damaged, POLARIS recommends that you replace the push rivet before installation.

2. Loosely install the two screws and two push rivets into the footwell.
3. Install the side panel / close off panel onto the vehicle and install the four push rivets.
4. Install the seat.
5. Torque all fasteners to specification.

TORQUE

Footwell to Chassis Fasteners:
3 in-lbs (4 N·m)

Footwell to Rear Cab Screws:
Torque Until Fully Seated

RIGHT SIDE PANEL / FOOTWELL INSTALLATION

1. Install the footwell onto the vehicle. Loosely install the four screws and nuts into the bottom of the footwell.

NOTICE

Observe the condition of each push rivet and check for damage. If damaged, POLARIS recommends that you replace the push rivet before installation.

2. Loosely install the two screws and two push rivets into the footwell.
3. Install the close off panel / shield onto the vehicle.
4. Install the side panel onto the vehicle and install the two push rivets.

5. Install the seat.
6. Torque all fasteners to specification.

TORQUE
Footwell to Chassis Fasteners: 3 in-lbs (4 N·m)
Footwell to Rear Cab Screws: Torque Until Fully Seated

TIRES

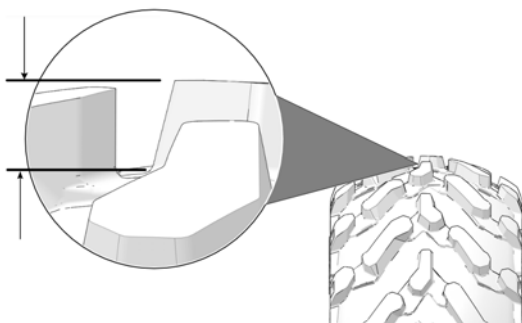
 **WARNING**

Operating your ATV with worn tires, improperly inflated tires, non-standard tires or improperly installed tires will affect vehicle handling and could cause an accident resulting in serious injury or death. Always follow all tire maintenance procedures as outlined in this manual and on the labels on the vehicle. Always use original equipment size and type when replacing tires.

Refer to the specifications section for recommended tire type, size and pressure.

TIRE TREAD DEPTH

Always replace tires when tread depth is worn to 3 mm (1/8") or less.

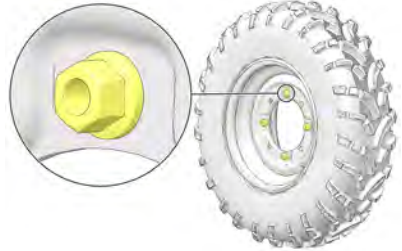


WHEEL REMOVAL

⚠ WARNING

Do not service axle nuts that have a cotter pin installed. Your authorized dealer can assist.

1. Stop the engine, place the transmission in park and lock the parking brake.
2. Loosen the wheel nuts slightly.
3. Elevate the side of the vehicle by placing a suitable stand under the footrest frame.



⚠ WARNING

Ensure vehicle is properly lifted and supported prior to service.

4. Remove the wheel nuts and washers and remove the wheel.

WHEEL INSTALLATION

1. Place the transmission in PARK.
2. Lock the parking brake.
3. Place the wheel on the hub with the valve stem toward the outside and rotation arrows on the tire pointing toward forward rotation (if equipped).
4. Install the wheel nuts and finger-tighten them.
5. Lower the vehicle to the ground.
6. Torque the wheel nuts to specification.



⚠ WARNING

Loose nuts could cause a tire to come off during operation, which could result in an accident or overturn. Always ensure that all nuts are torqued to specification.

MAINTENANCE

WHEEL NUT TORQUE SPECIFICATIONS

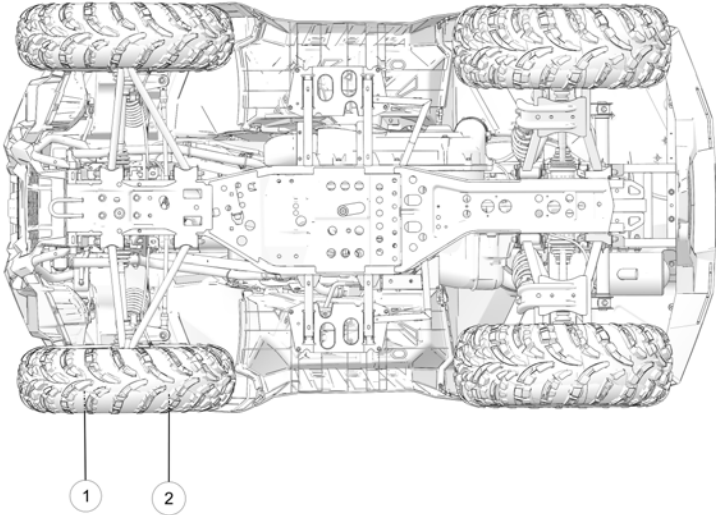
Check the wheel nut torques occasionally and when they've been loosened for maintenance service.

<p>Lug Nut (Aluminum Wheels)</p> 	<p>Front and Rear</p>	<p>30 ft-lbs (41 N·m) PLUS 70 degrees</p>
<p>2-Piece Flange Nut (Steel Wheels)</p> 	<p>Front and Rear</p>	<p>27 ft-lbs (37 N·m)</p>

TOE ALIGNMENT

WARNING

Severe injury or death can result from improper toe alignment and adjustment. Do not attempt to adjust tie rod alignment. All tie rod adjustments should be performed by an authorized POLARIS dealer or other qualified service facility.



Use the following procedure to check the toe alignment of the vehicle. The recommended toe alignment is 1/4-1/2 inch (6-12 mm).

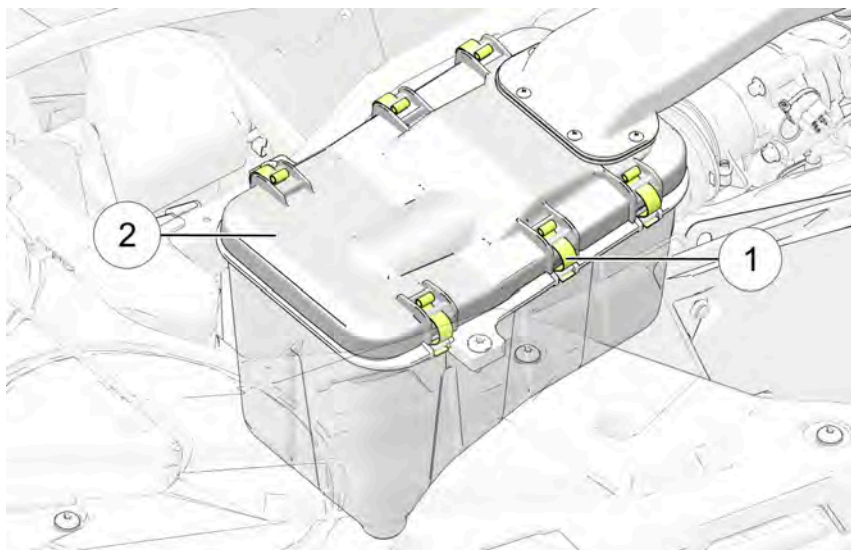
1. Position the vehicle on a level surface.
2. Place the handlebars in a straight-ahead position.
3. Tie a length of string between two stands. Position the stands so that the string is flush with the side of the rear tire. If available, you may use a long straight-edge instead of string.
4. Measure the distance from the string to the rim at the front ① and rear ② of the front rim. The rear measurement should be 1/8-1/4 inch (3-6 mm) more than the front measurement on each side of the vehicle to obtain the recommended 1/4-1/2 inch (6-12 mm) toe out alignment.
5. Repeat the measurement procedure on the other side of the vehicle.
6. If you discover improper alignment, see your POLARIS dealer for service.

CAMBER AND CASTER

The camber and caster are non-adjustable.

AIR FILTER

It is recommended that the air filter is replaced annually. When riding in extremely dusty conditions, replacement is required more often.

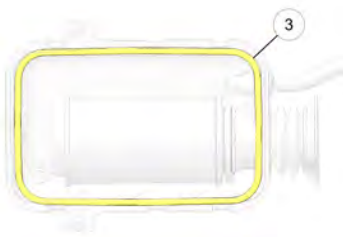


1. Lift up on the rear of the seat.
2. Pull the seat back and free of the tabs.

NOTICE

When reinstalling seat, make sure the slots in the seat engage the tabs in the fuel tank.

3. Remove the six clips ① from air box cover and remove cover ②.
4. Inspect the gasket ③. It should adhere tightly to the cover and seal all the way around.



- Loosen the air filter hose clamp ④ and remove air filter assembly.
- Inspect the air filter and replace if necessary. If the filter has been soaked with fuel or oil, it must be replaced.
- Reinstall the air filter on the main filter mount. Place hose clamp over the assembly and torque to specification.



NOTICE

Apply a small amount of general purpose grease to the sealing edges of the filter before reinstalling.

TORQUE

Air Filter Hose Clamp:
20 in-lbs (2 N·m)

NOTICE

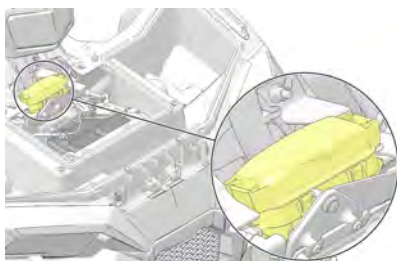
The air filter should rest on the filter supports. Proper placement of the air filter is important to prevent rattles and air leaks.

- Install air box cover and secure with the clips.

FUSE REPLACEMENT

If the engine stops or will not start, or if you experience other electrical failures, a fuse may need replacement. Locate and correct any short circuits that may have caused the blown fuse, then replace the fuse. Spare fuses are provided in the tool kit.

To replace a fuse, do the following:



1. Open the front box cover, and remove the access panel.
2. Remove fuse box cover.
3. Remove the suspect fuse from the fuse panel. If the fuse is blown, install a new fuse with the same amperage.
4. Secure the fuse box cover and access panel.
5. Secure the front box cover.

LIGHTS

 CAUTION

Poor lighting can result in reduced visibility when driving. Headlight and taillight lenses become dirty during normal operation. Clean headlights frequently and replace burned out headlamps promptly.

Always make sure lights are adjusted properly for best visibility.

HEADLIGHT LAMP REPLACEMENT

When servicing a halogen lamp, don't touch the lamp with bare fingers. Oil from your skin leaves a residue, causing a hot spot that will shorten the life of the lamp. If fingers do touch a lamp, clean it with denatured alcohol.

 CAUTION

Hot components can cause burns to skin. Allow lamps to cool before servicing.

1. Remove the seven (7) headlight pod screws. Pull the pod cover forward.
2. Unplug the headlamp from the wiring harness. Be sure to pull on the connector, not on the wiring.
3. Turn the lamp counter-clockwise to remove it.
4. Apply dielectric grease to the socket and install the new lamp. Make sure the tab on the lamp locates properly in the housing.
5. Reassemble the pod.

LED HEADLIGHT REPLACEMENT (IF EQUIPPED)

On models equipped with LED headlights, if the headlights become inoperable, the entire assembly must be replaced by your authorized Polaris dealer or other qualified service facility.

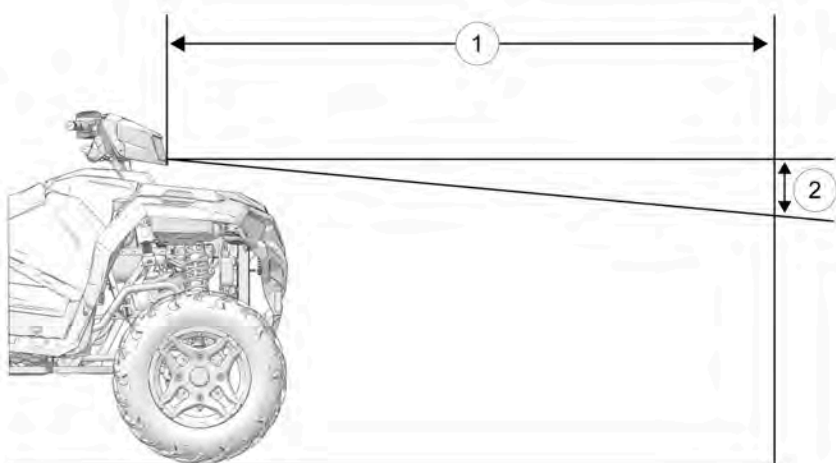
MAINTENANCE

HIGH BEAM ADJUSTMENT

The headlight beam can be adjusted slightly upward or downward. Use the following procedure to make the adjustment.

NOTICE

Image is for reference only. Your model might differ slightly.

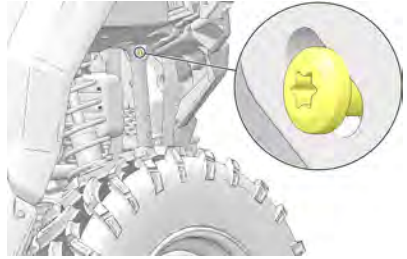


1. Position the vehicle on a level surface with the headlight approximately 25 ft (7.6 m) from a wall ①. Place the transmission in PARK.
2. Measure the distance from the floor to the center of the headlight and make a mark on the wall at the same height.
3. Start the engine. Turn the headlight switch to high beam.
4. Observe the headlight aim on the wall. The most intense part of the headlight beam should be 2 in (5 cm) below the mark on the wall ②. Include rider weight on the seat when measuring.
5. The adjustment screw is located on the right side of the headlight pod. To adjust the beam, loosen the screw. Adjust the headlamp to the desired position, then tighten the screw.

BUMPER LIGHT ADJUSTMENT

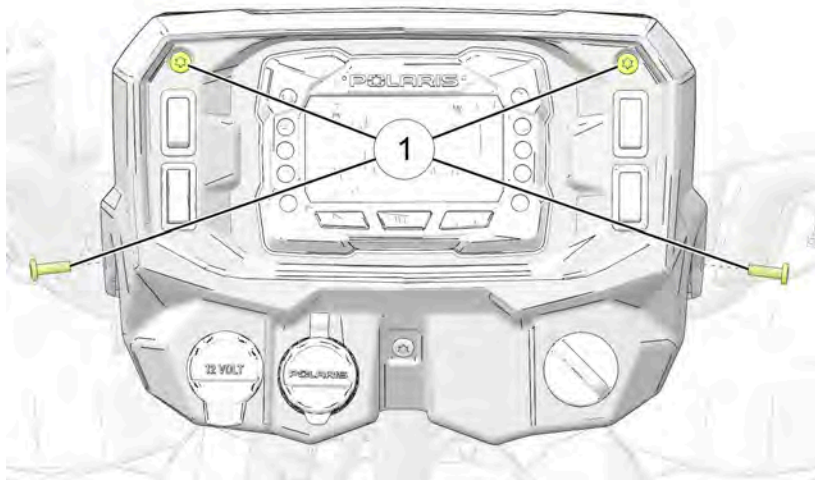
The low beam can be adjusted slightly upward or downward. To adjust the bumper headlight, do the following:

1. Loosen the Phillips® screw located at the rear of the headlamp.
2. Tilt the headlamp upward or downward.
3. Tighten the screw.

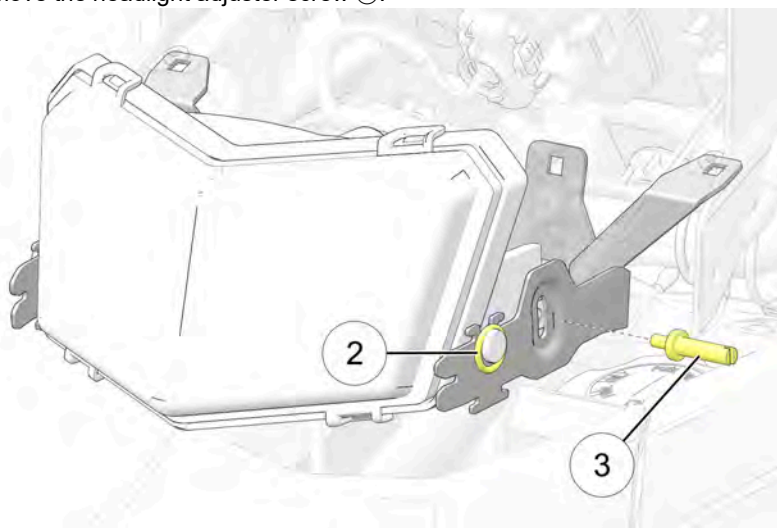


HEADLIGHT HOUSING REPLACEMENT

1. Remove the four headlight pod screws ① and remove the front half of the pod from the vehicle.



2. Remove each rubber o-ring retainer ② on each side of the pod bracket and remove the headlight adjuster screw ③.



3. Disconnect the main wiring harness from the back of the headlight.

4. Lift the headlight out of the vehicle to remove it.
5. Reverse steps for installation. Torque screws to specification.

TORQUE

Headlight Pod Screws:
10 in-lbs (2 N·m)

6. Adjust the headlight pod.

LOWER HEADLAMP REPLACEMENT

1. Turn the back of the headlight harness counter-clockwise and pull the harness assembly away from the headlight assembly.
2. Remove the headlamp and install the new headlamp.
3. Reinstall the harness assembly into the headlight assembly.

NOTICE

Take care to avoid touching the glass on the new headlight bulb. Fingerprints on the glass may result in premature failure.

4. Turn the headlight harness clockwise to secure the headlamp.

TAILLIGHTS/BRAKE LIGHTS REPLACEMENT

The taillight assembly is not serviceable. If the light fails to operate properly, replace the entire taillight assembly.

SPARK PLUGS

SPARK PLUG RECOMMENDATIONS

Refer to the specifications section for the recommended spark plug type and gap for your vehicle. Torque spark plugs to specification.

NOTICE

Using non-recommended spark plugs can result in serious engine damage. Always use POLARIS-recommended spark plugs or their equivalent.

ENGINE	TORQUE SPECIFICATION
450	15 ft-lbs (20 Nm)
570	9 ft-lbs (12 Nm)

SPARK PLUG INSPECTION

Spark plug condition is indicative of engine operation. Check the spark plug for the correct color.

CAUTION

A hot exhaust system and engine can cause burns. Wear protective gloves when removing a spark plug for inspection. Allow engine to cool before removing spark plug wire.

1. Rotate the spark plug cap 1/4 turn and pull it off the spark plug.
2. Rotate the spark plug counter-clockwise to remove it.
3. Reverse the procedure for spark plug installation. Torque to specification.

NORMAL PLUG

The normal insulator tip is gray, tan or light brown. There will be few combustion deposits. The electrodes are not burned or eroded. This indicates the proper type and heat range for the engine and the service.

The tip should not be white. A white insulator tip indicates overheating, caused by use of an improper spark plug or incorrect throttle body adjustments.

WET FOULED PLUG

The wet fouled insulator tip is black. A damp oil film covers the firing end. There may be a carbon layer over the entire nose. Generally, the electrodes are not worn. General causes of fouling are excessive oil consumption, use of non-recommended oil, or poor fuel quality.

VEHICLE IMMERSION

If your vehicle becomes immersed, major engine damage can result if the machine is not thoroughly inspected. Take the vehicle in for service before starting the engine. Your POLARIS dealer can provide this service.

If it's impossible to take your ATV to a dealer before starting it, follow the steps outlined below.

1. Move the ATV to dry land or at the very least, to water below the footrests.
2. Check the air box. If water is present, dry the air box and replace the filter with a new filter. If equipped, remove the air box drain plug to drain water. Reinstall the drain plug.

 CAUTION

Serious damage could occur if the air box drain plug is not reinstalled properly.

3. Remove the spark plug.
4. Turn the engine over several times using the electric start.
5. Dry the spark plugs. Reinstall the plugs or install new plug.
6. Attempt to start the engine. If necessary, repeat the drying procedure.

 CAUTION

Serious damage can occur after immersion if fluids are not changed promptly.
Your authorized dealer can assist.

7. Take the vehicle in for service as soon as possible, whether you succeed in starting it or not. Your authorized dealer can provide the required service.
8. If water has been ingested into the PVT, follow the procedure in the PVT System section for drying out the PVT.

SPARK ARRESTOR SERVICE

WARNING

Do not perform clean out immediately after the engine has been run, as the exhaust system becomes very hot. Serious burns could result from contact with exhaust components.

To reduce fire hazard, make sure that there are no combustible materials in the area when purging the spark arrestor.

Wear eye protection.

Do not stand behind or in front of the vehicle while purging the carbon from the spark arrestor.

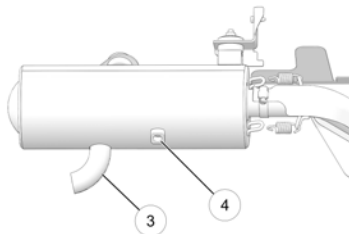
Never run the engine in an enclosed area. Exhaust contains poisonous carbon monoxide gas.

Do not go under the machine while it is inclined. Put the transmission in PARK (P), lock the parking brake, and block the wheels to prevent roll back.

Failure to heed these warnings could result in serious personal injury or death.

The exhaust pipe must be periodically purged of accumulated carbon as follows:

1. Remove the spark arrestor clean out bolt ① and washer ② located on the bottom of the muffler.
2. Put the transmission in PARK (P) and start the engine. Purge the accumulated carbon from the system by momentarily revving the engine several times.
3. If some carbon is expelled, cover the exhaust outlet ③ and lightly tap on the pipe around the clean out weld nut ④ with a rubber mallet while revving the engine several more times.



4. If particles are still suspected to be in the muffler, back the machine onto an incline so the rear of the machine is **one foot higher** than the front. Put the transmission in PARK (P), lock the parking brake, and block the wheels to prevent roll back. Then repeat steps 2 and 3. **SEE WARNING.**
5. If particles are still suspected to be in the muffler, drive the machine onto the incline so the front of the machine is **one foot higher** than the rear. Put the transmission in PARK (P), lock the parking brake, and block the wheels to prevent roll back. Then repeat steps 2 and 3. **SEE WARNING.**
6. Repeat steps 2 through 5 until no more particles are expelled when the engine is revved.
7. Stop the engine and allow the arrestor to cool.
8. Install the spark arrestor clean out bolt and washer. Torque bolt to specification.

TORQUE

Spark Arrestor Clean Out Bolt:
22 ft-lbs (30 N·m)

SPARK ARRESTOR SERVICE (CALIFORNIA (EVAP) MODELS)

WARNING

Do not perform clean out immediately after the engine has been run, as the exhaust system becomes very hot. Serious burns could result from contact with exhaust components.

To reduce fire hazard, make sure that there are no combustible materials in the area when purging the spark arrestor.

Wear eye protection.

Do not stand behind or in front of the vehicle while purging the carbon from the spark arrestor.

Never run the engine in an enclosed area. Exhaust contains poisonous carbon monoxide gas.

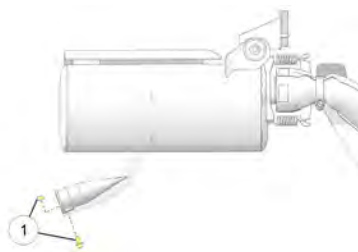
Do not go under the machine while it is inclined. Put the transmission in PARK (P), lock the parking brake, and block the wheels to prevent roll back.

Failure to heed these warnings could result in serious personal injury or death.

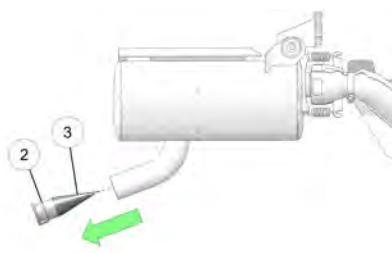
MAINTENANCE

The spark arrester should be periodically cleaned to remove accumulated carbon. A plugged spark arrester will affect engine performance. Replace a cracked or damaged spark arrester before running the vehicle.

1. Remove the spark arrester screen fasteners ①.



2. Remove the spark arrester ② from the end of the muffler.
3. Use a non-synthetic brush to clean the screen ③ on the spark arrester. If necessary, blow debris from the screen with compressed air.



4. Inspect the screen for wear and damage. Replace if damaged.
5. Install the spark arrester. Torque fasteners to specification.

TORQUE

Spark Arrester Screen Fasteners:
8 ft-lbs (11 N·m)

PVT SYSTEM

WARNING

Failure to comply with the instructions in this warning can result in severe injury or death.

Do not modify any component of the PVT system. Doing so may reduce its strength so that a failure may occur at a high speed. The PVT system has been precision balanced. Any modification will cause the system to be out of balance, creating vibration and additional loads on components.

The PVT system rotates at high speeds, creating large amounts of force on clutch components. Extensive engineering and testing has been conducted to ensure the safety of this product. However, as the owner, you have the following responsibilities to make sure this system remains safe:

- Always follow all recommended maintenance procedures. Always look for and remove debris inside and around the clutch and vent system when replacing the belt.
- See your POLARIS dealer, or other qualified person, for service and repair assistance.
- This PVT system is intended for use on POLARIS products only. Do not install it in any other product.
- Always make sure the PVT housing is securely in place during operation.

The basic operation of the POLARIS PVT system is dependent on engine speed and vehicle torque requirements. As engine speed increases, the force exerted on the movable drive sheave by the flyweights also increases. This, in turn, increases the amount of pinch applied to the drive belt. Similarly, if the engine speed decreases, the amount of centrifugal force decreases, reducing the amount of belt pinch.

On POLARIS ATVs, the approximate gear ratio difference between high and low range is 1:2.25. This difference in gearing affects the operation of the PVT, especially at speeds less than 7 MPH (11 km/h), due to the system's dependence on engine speed.

For example, when operating at a ground speed of 3 MPH (5 km/h) in low range, the engine speed would be around 2700–3000 RPM. This is well above the engagement speed of 1500–1800 RPM. However, in high range at 3 MPH (5 km/h), the engine would be running at only 1500–1800 RPM. Whenever operating this close to the engagement speed, the engine may be running at a speed too low to provide the pinch needed to prevent belt slip. Belt slip is responsible for creating the excessive heat that destroys belts, wears clutch components and causes outer clutch covers to fail.

MAINTENANCE

The air temperature in the clutch cover is substantially reduced by using low range while operating at low ground speeds. Reducing the temperature inside the clutch cover greatly extends the life of the PVT components (belt, cover, etc.).

WHEN TO USE LOW RANGE AND HIGH RANGE

CONDITION	RANGE TO USE
Operating at speeds less than 7 MPH (11 km/h)	Low
Towing heavy loads	Low
Operating in rough terrain (swamps, mountains, etc.)	Low
Operating at speeds greater than 7 MPH (11 km/h)	High

PVT DRYING

There may be some instances when water is accidentally ingested into the PVT system. Use the following instructions to dry it out before operating.

1. Position the vehicle on a level surface.
2. Remove the drain plug. Allow the water to drain completely. Reinstall the drain plug.
3. Start the engine. Place the transmission in PARK.
4. Apply varying throttle for 10-15 seconds to expel the moisture and air-dry the belt and clutches. Do not hold the throttle wide open for more than 5 seconds.
5. Allow the engine RPM to settle to idle speed, then shift the transmission to low range.
6. Test for belt slippage. If the belt slips, repeat the process. Your vehicle requires service as soon as possible, which your authorized dealer can provide.

PVT BREAK-IN (CLUTCHES / BELT)

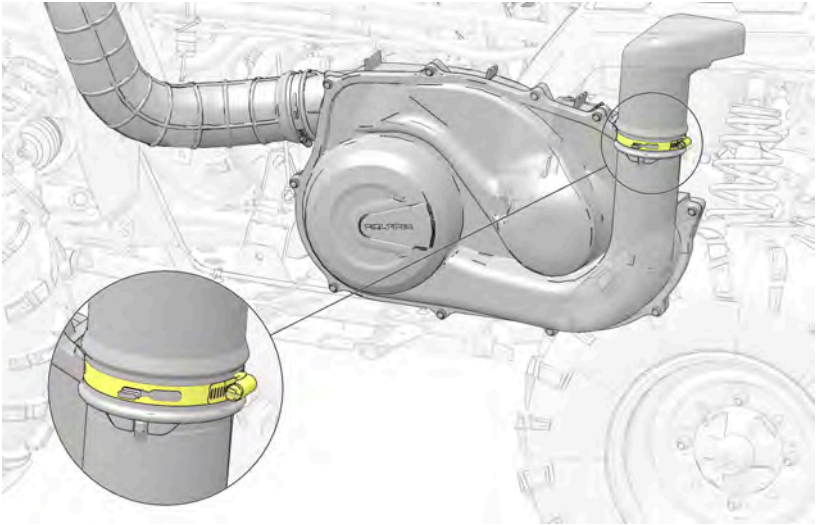
A proper break-in of the clutches and drive belt will ensure a longer life and better performance. Break in the clutches and belt by operating at slower speeds during the break-in period as recommended. Pull only light loads. Avoid aggressive acceleration and high speed operation during the break-in period.

If a belt fails and you need to replace it, always clean all debris from the PVT intake and outlet duct, the clutch, and the engine components.

DRIVE BELT REMOVAL

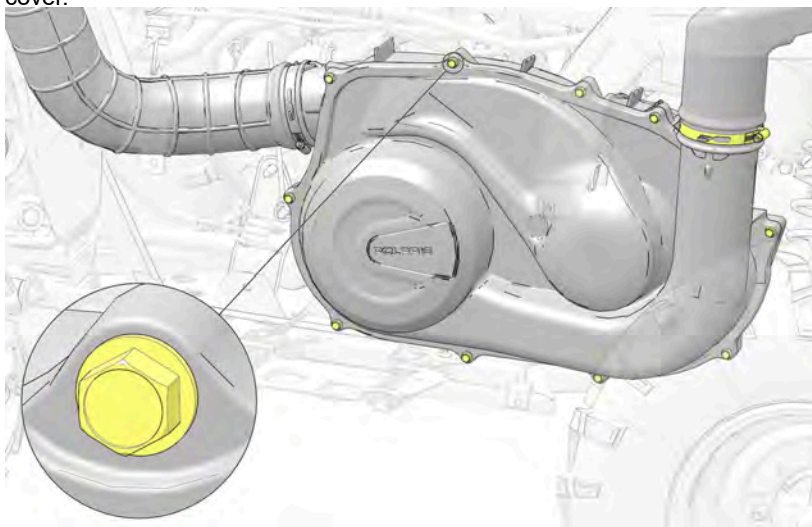
DRIVE BELT REMOVAL (EBS MODELS)

1. Position the vehicle on a level surface. Put the transmission in PARK (P) and lock the parking brake.
2. Elevate and safely support the rear of the vehicle.
3. Remove the seat.
4. Remove the left side panel / footwell. See page 135.
5. Loosen the PVT outlet duct clamp.



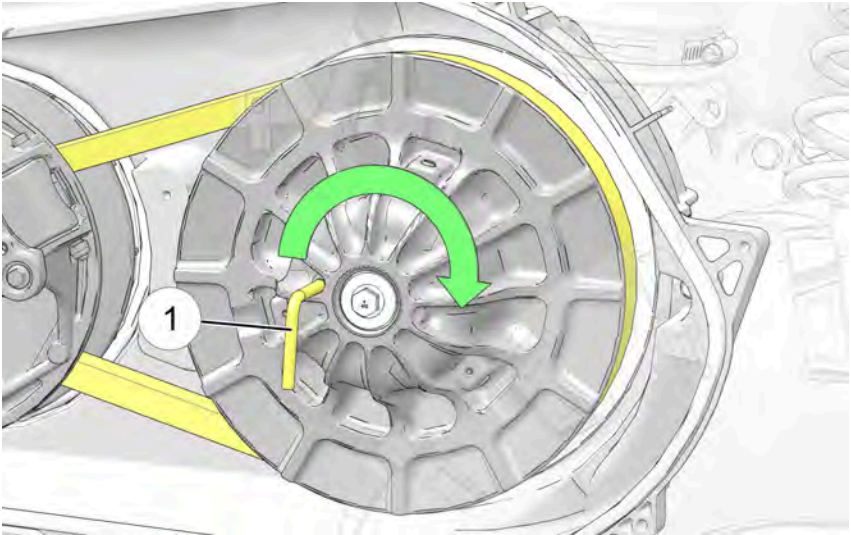
MAINTENANCE

6. Remove the 10 fasteners securing the outer PVT cover to the inner PVT cover.



7. Using care, pull the outer PVT cover out the side of the vehicle.
8. Note the orientation of the drive belt so that it can be installed in the same direction.

9. Insert the Belt Removal Tool ① (included in your vehicle's toolkit) into the threaded hole on the driven clutch as shown and turn clockwise to spread the clutch.



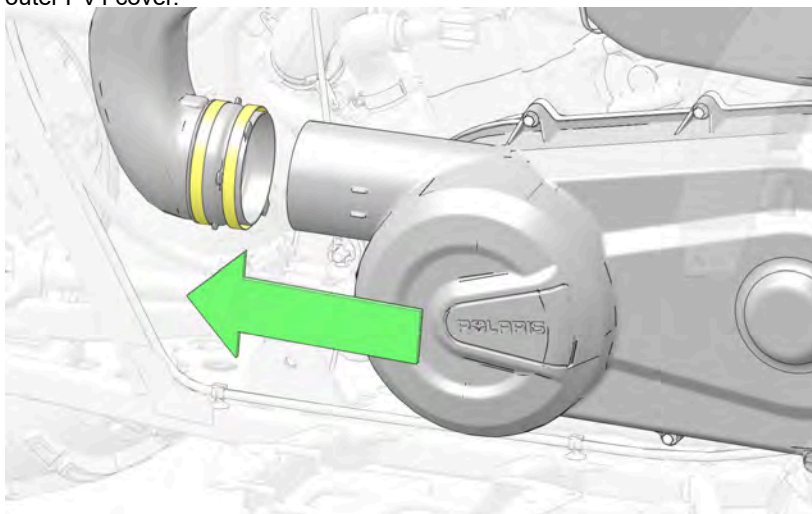
10. Carefully walk the belt off the driven clutch and remove from the drive clutch.

DRIVE BELT REMOVAL (NON-EBS MODELS)

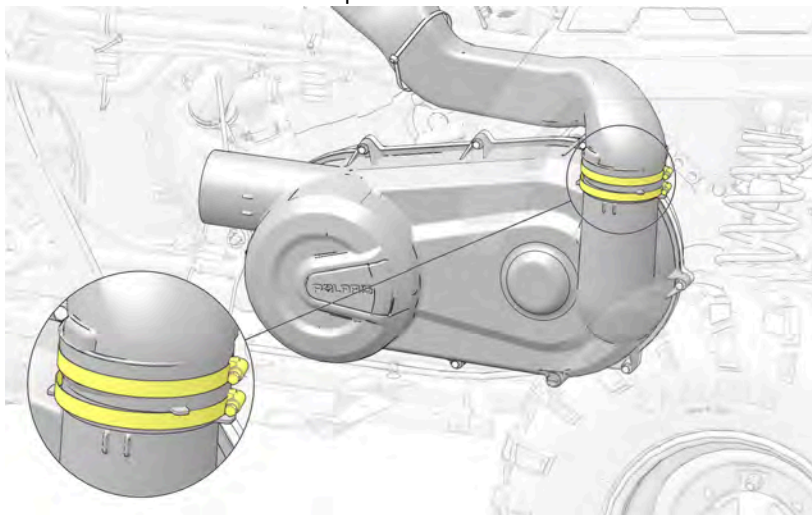
1. Position the vehicle on a level surface. Put the transmission in PARK (P) and lock the parking brake.
2. Elevate and safely support the rear of the vehicle.
3. Remove the seat.
4. Remove the left side panel / footwell. See page 135.

MAINTENANCE

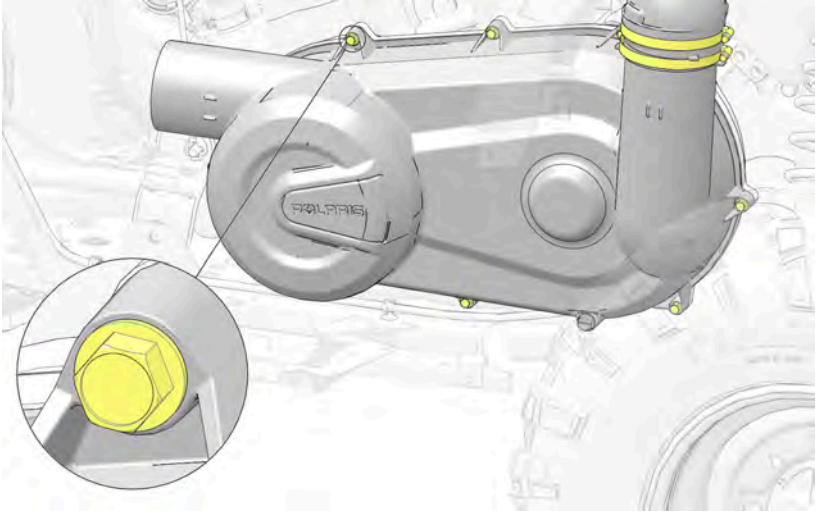
5. Loosen the PVT inlet duct clamps to remove the PVT inlet duct from the outer PVT cover.



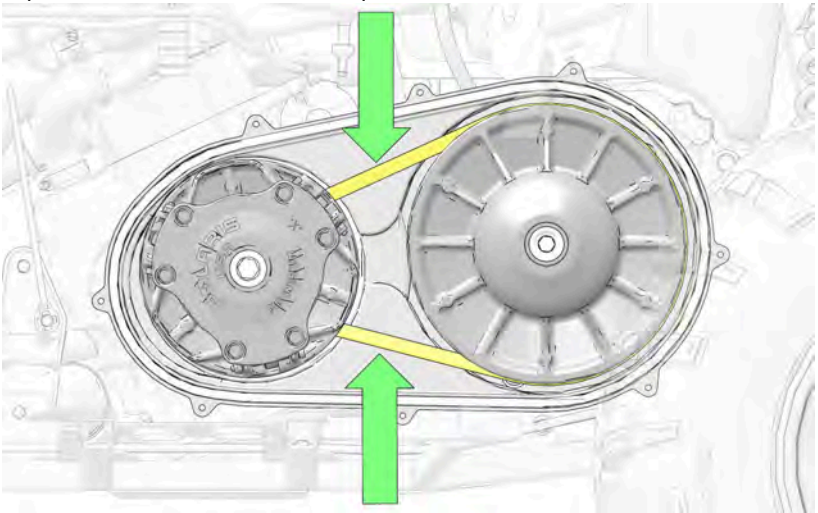
6. Loosen the PVT outlet duct clamps.



7. Remove the 8 fasteners securing the outer PVT cover to the inner PVT cover.



8. Using care, pull the outer PVT cover out the side of the vehicle.
9. Note the orientation of the drive belt so that it can be installed in the same direction.
10. Squeeze the belt in the center to spread the driven clutch sheaves.



11. Carefully walk the belt off the driven clutch and remove from the drive clutch.

DRIVE BELT INSPECTION

1. Inspect belt for hour glassing (extreme circular wear in at least one spot and on both sides of the belt). Hour glassing occurs when the drive train does not move and the drive clutch engages the belt.
2. Inspect belt for loose cords, missing cogs, cracks, abrasions, thin spots, or excessive wear. Compare belt measurements with a new drive belt. Replace if necessary.
3. Belts with thin spots, burn marks, etc., should be replaced to eliminate noise, vibration, or erratic PVT operation. See General Diagnostic information for possible causes.

DRIVE BELT INSTALLATION

DRIVE BELT INSTALLATION (EBS MODELS)

1. Clean the inside of the PVT covers thoroughly.

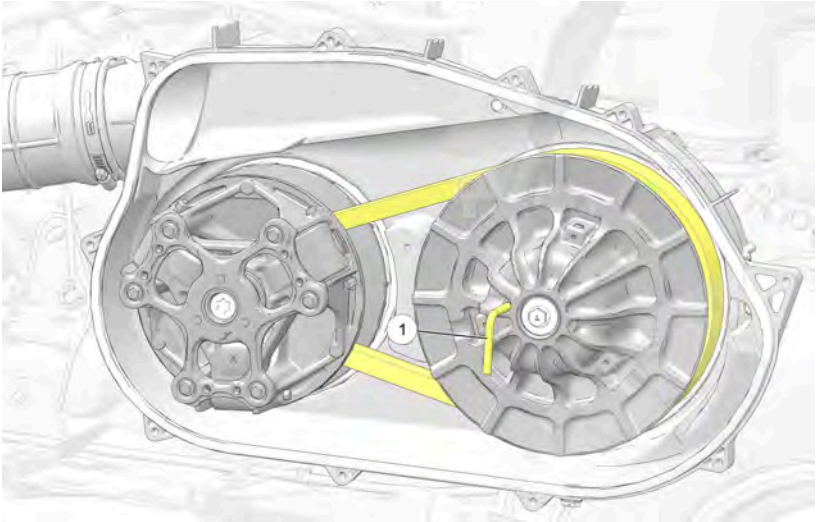
WARNING

Failure to remove all debris when replacing the belt could result in vehicle damage, loss of control, and severe injury or death.

IMPORTANT

Orient the belt as it was removed or orient the new belt so that you can read the text.

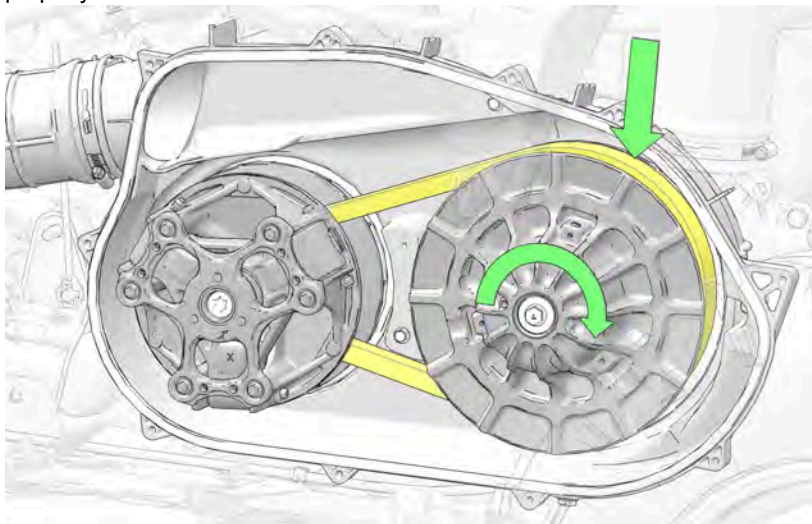
2. With the Belt Removal Tool ① installed, loop the belt over the drive clutch and over the driven clutch.



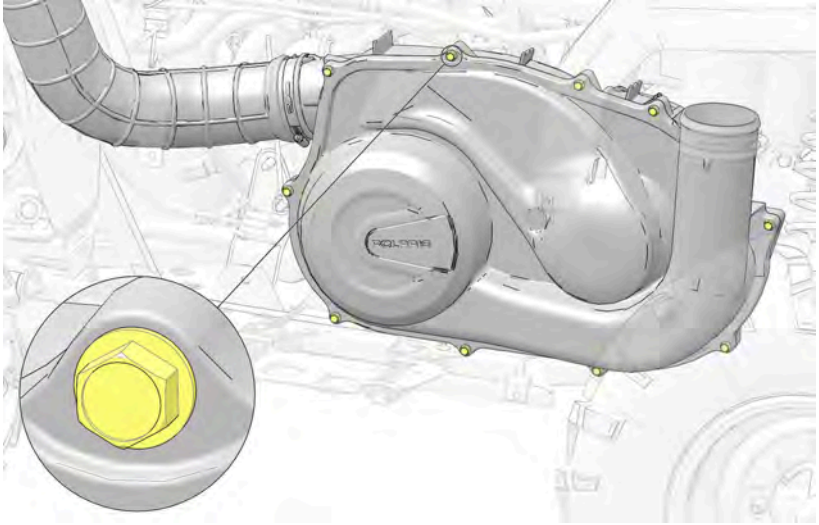
3. Rotate the driven clutch and walk the belt into the clutch.
4. Remove the Belt Removal Tool from driven clutch.

MAINTENANCE

5. Rotate / spin the driven clutch and belt approximately 5-7 times clockwise to properly seat the belt into the driven clutch.



6. Install the outer PVT cover and 10 fasteners. Torque fasteners to specification.

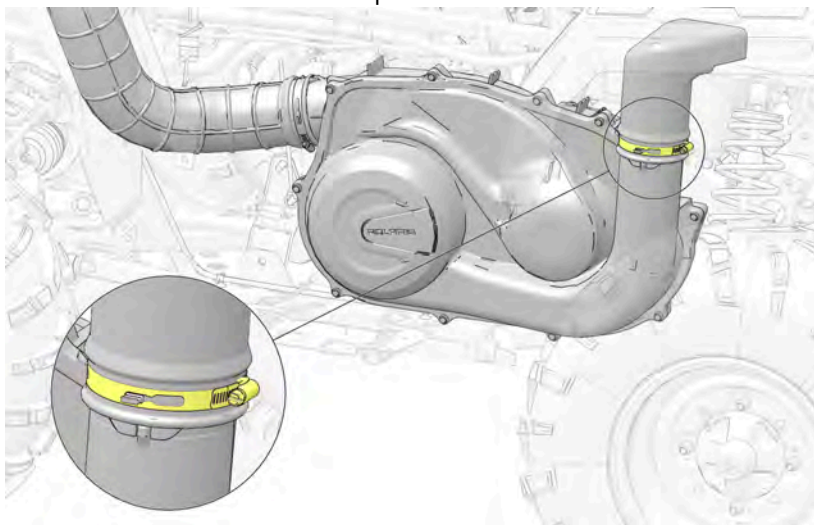


TORQUE

Outer PVT Cover Fasteners:
44 in-lbs (5 N·m)

MAINTENANCE

7. Install the PVT outlet duct and clamp.



8. Torque the PVT outlet duct clamp to specification.

TORQUE

Outlet Duct Clamp:
27 in-lbs (3 N·m)

9. Install the left side panel / footwell. See page 140.
10. Install the seat.

DRIVE BELT INSTALLATION (NON-EBS MODELS)

1. Clean the inside of the PVT covers thoroughly.

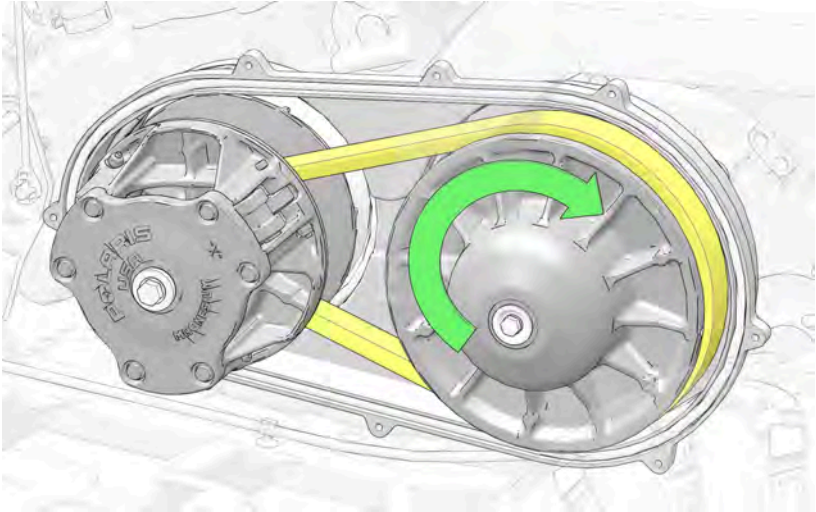
⚠ WARNING

Failure to remove all debris when replacing the belt could result in vehicle damage, loss of control, and severe injury or death.

IMPORTANT

Orient the belt as it was removed or orient the new belt so that you can read the text.

2. Loop the belt over the drive clutch and begin to walk it over the driven clutch sheave.

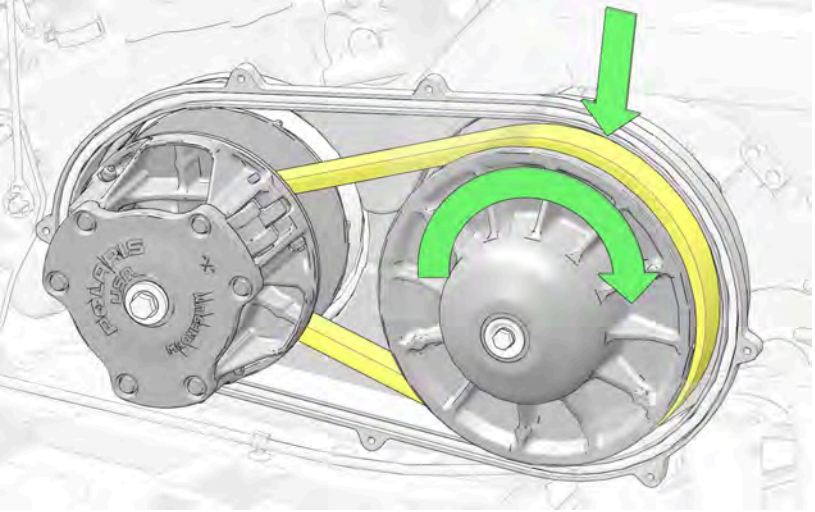


NOTICE

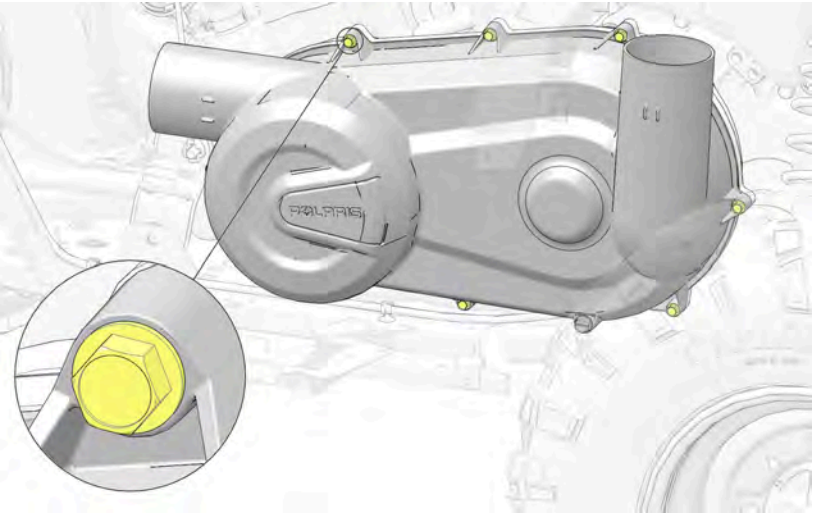
The belt might curl up around the bottom of the driven clutch sheave. If this occurs, push the bottom of the belt down when needed to aid installation.

MAINTENANCE

3. Rotate / spin the driven clutch and belt approximately 5-7 times clockwise to properly seat the belt into the driven clutch.



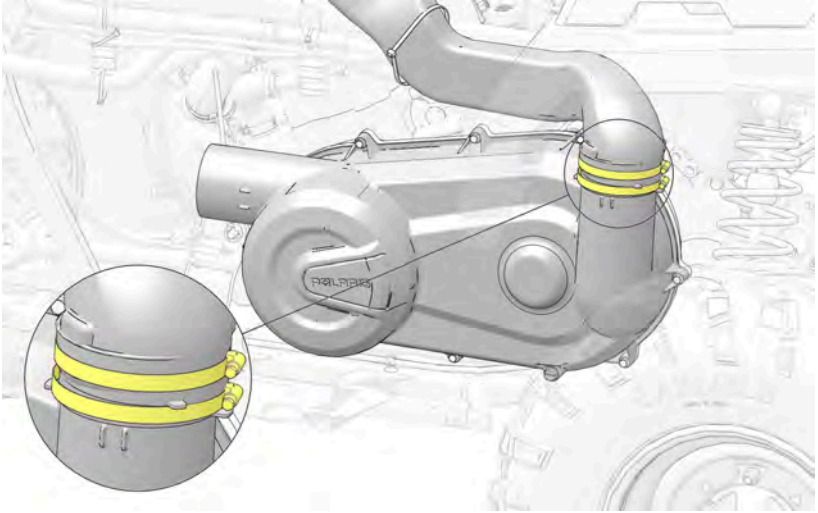
4. Install the outer PVT cover and fasteners. Torque fasteners to specification.



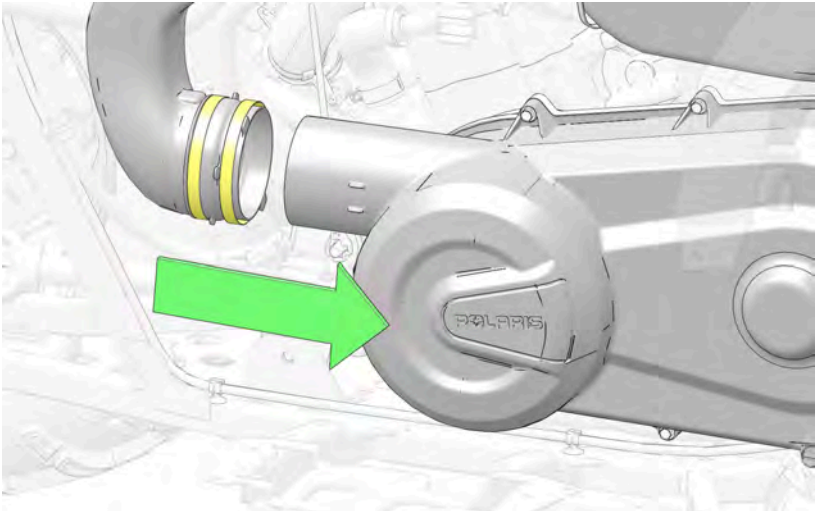
TORQUE

Outer PVT Cover Fasteners:
44 in-lbs (5 N·m)

5. Install the PVT outlet duct and clamps.



6. Install the PVT inlet duct and clamps.



7. Torque the PVT inlet and outlet duct clamps to specification.

TORQUE

Inlet / Outlet Duct Clamps:
20 in-lbs (2 N·m)

MAINTENANCE

8. Install the left side panel / footwell. See page 140.
9. Install the seat.

BATTERY

 **WARNING**

Improperly connecting or disconnecting battery cables can result in an explosion and cause serious injury, death, vehicle damage, and/or battery damage. When removing the battery, always disconnect the negative (-) black cable first. When reinstalling the battery, always connect the negative (-) black cable last.

Always keep battery terminals and connections free of corrosion. If cleaning is necessary, remove corrosion with a stiff wire brush. Wash with a solution of one tablespoon baking soda and one cup water. Rinse well with tap water and dry off with clean shop towels. Coat the terminals with dielectric grease or petroleum jelly.

BATTERY REMOVAL

⚠ WARNING

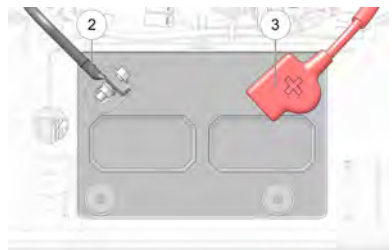
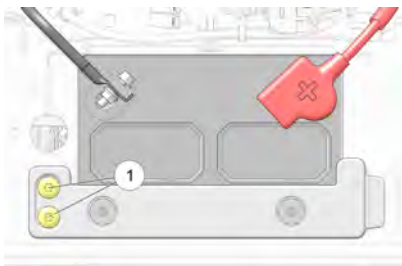
Improperly connecting or disconnecting battery cables can result in an explosion and cause serious injury, death, vehicle damage, and/or battery damage. When removing the battery, always disconnect the negative (-) black cable first. When reinstalling the battery, always connect the negative (-) black cable last.

NOTICE

If electrolyte spills, immediately wash it off with a solution of one tablespoon baking soda and one cup water to prevent damage to the vehicle.

To remove the battery, do the following:

1. Unlatch the front rack latches and open the front rack.
2. Remove the two battery hold down strap screws ① and remove strap from vehicle.



3. Disconnect the negative (-) black cable ② first. Then disconnect the positive (+) red cable ③.
4. Carefully lift the battery out of the vehicle.

BATTERY INSTALLATION

⚠ WARNING

Improperly connecting or disconnecting battery cables can result in an explosion and cause serious injury, death, vehicle damage, and/or battery damage. When removing the battery, always disconnect the negative (-) black cable first. When reinstalling the battery, always connect the negative (-) black cable last.

MAINTENANCE

NOTICE

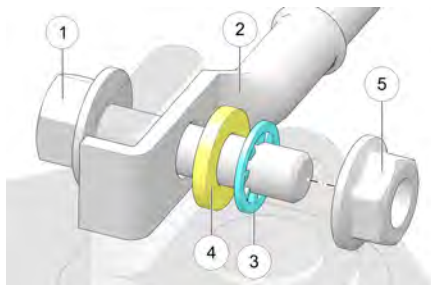
Using a new battery that has not been fully charged can damage the battery and result in a shorter life. It can also hinder vehicle performance. Refer to the battery charging information in the Maintenance chapter before installing the battery.

CAUTION

To reduce the chance of sparks when installing the battery, always connect the negative (-) black cable last.

1. Clean battery cables and terminals with a stiff wire brush. Corrosion can be removed using a solution of one cup water and one tablespoon baking soda. Rinse well with clean water and dry thoroughly.
2. Carefully install the battery into the vehicle.
3. Connect the positive (+) red cable as shown below. Torque to specification.

- ① Flange Bolt
- ② Battery Cable
- ③ Internal Tooth Lock Washer
- ④ Flat Washer
- ⑤ Flange Nut (Torque Applied)



TORQUE

Battery Terminals
62 in-lbs (7 N·m)

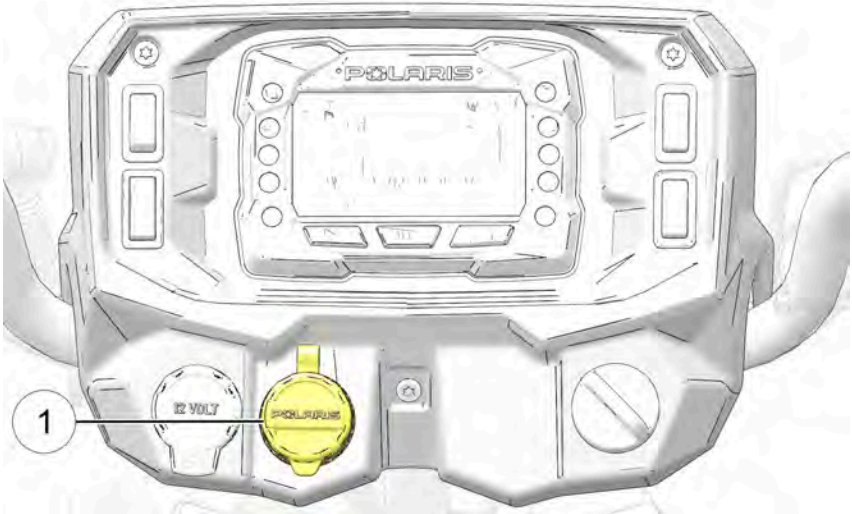
4. Install positive battery boot.
5. Connect and tighten the negative (-) black cable. Torque to specification.
6. Verify the battery cables are properly routed.

BATTERY STORAGE

Whenever the vehicle is not used for a period of three months or more, remove the battery from the vehicle, ensure that it's fully charged, and store it out of the sun in a cool, dry place. Check battery voltage each month during storage and recharge as needed to maintain a full charge.

NOTICE

Image is for reference only. Your model might differ slightly.



POLARIS recommends maintaining battery charge by using a POLARIS battery trickle charger or by charging once a month using the battery charge port ①. The POLARIS offered battery trickle charger can be left connected during the storage period, and will automatically charge the battery if the voltage drops below a pre-determined point. See the POLARIS Products chapter for the part number.

IMPORTANT

POLARIS recommends using a trickle charger that shuts off automatically when the battery is fully charged. If you are not using a trickle charger that automatically shuts when the battery is fully charged, make sure to monitor the battery charge level and disconnect the charger when the battery is fully charged.

⚠ CAUTION

When using a battery trickle charger, always place the charger on the ground, or on a suitable elevated surface. Never place the charger on the vehicle or let it hang from the battery charge port while plugged in.

MAINTENANCE

BATTERY CHARGING

Read all instructions before proceeding with the installation of this battery.

The battery is already filled with electrolyte and has been *fully charged* at the factory. *Never* pry the caps off or add any other fluid to this battery.

The single most important thing about maintaining the battery is to keep it fully charged. Use a voltmeter to measure DC voltage to determine the battery state of charge.

WARNING

An overheated battery may explode, causing severe injury or death. Always watch charging times carefully. Stop charging if the battery becomes very warm to the touch. Allow it to cool before resuming charging.

For a refresh charge, follow all instructions carefully.

1. The battery should be disconnected from a load or charger for at least two hours before checking voltage. Check the battery voltage with a voltmeter. A fully charged battery will register 12.6 V or higher.
2. If the voltage is less than 12.6 volts, recharge the battery at 2 amps or less until the battery charger indicates charge complete.
3. When using an automatic charger, refer to the charger manufacturer's instructions for recharging. When using a constant current charger, use the following guidelines via the table below.

VOLTAGE TABLE

Always verify battery condition before and 1-2 hours after the end of charging.

STATE OF CHARGE	VOLTAGE	ACTION	CHARGE TIME (USING CONSTANT CURRENT CHARGER @ STANDARD AMPS SPECIFIED ON TOP OF BATTERY)
100%	12.6-12.8 volts	Low Maintenance Battery: check after 60 days	None required
50%-75%	12.0-12.5 volts	Needs charge	5-11 hours
25%-50%	11.5-12.0 volts	Needs charge	At least 13 hours, verify state of charge
0%-25%	11.5 volts or less	Needs charge	At least 20 hours

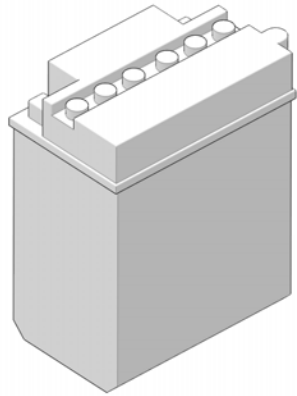
BATTERY IDENTIFICATION

IMPORTANT

It is important to identify the type of battery installed in the vehicle. Different types of batteries require different service procedures. Proper servicing and upkeep of the battery is very important for maintaining long battery life. All Polaris ORV models include either a Conventional battery or a Low Maintenance battery.

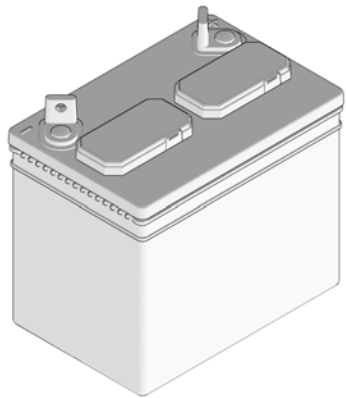
CONVENTIONAL BATTERY

- The battery is NOT activated when packaged
- Distilled water and electrolyte added as required
- Removable cap plugs located on top of battery
- Vent tube located on side of battery



LOW MAINTENANCE BATTERY

- Battery activated when packaged
- Distilled water and electrolyte NEVER added
- Non removable cap(s) located on top of battery



MAINTENANCE

LOW MAINTENANCE BATTERY BEST PRACTICES

Some Polaris ORV models include either a Lead Acid or Absorbed Glass Mat (AGM) Low Maintenance battery. See the Service Manual for procedures on how to charge, maintain, and test a Lead Acid or AGM Low Maintenance battery.

NOTICE

Using a new battery that has not been fully charged can damage the battery and result in a shorter life. It can also hinder vehicle performance.

LEAD ACID LOW MAINTENANCE BATTERY

CHARGING

- The battery must be fully charged before use or battery life will be significantly reduced by 10-30% of the battery's full potential.
- Nominal voltage is 12.6 to 12.8 Volts when fully charged. If the voltage falls below 12.5V, charge it immediately, or the battery service life and vehicle performance may be affected.
- Polaris recommends using a BatteryMINDER® 12V 1.5 AMP (PN 2830404) charger (or a similar charger), which can be ordered through your normal parts channel.
- Charge the battery with a charging output no larger than 10% of the battery's amp-hour rating.

MAINTENANCE

- Recharge the battery to its full capacity every 30 to 60 days.
- If the battery is stored or used in a partially charged condition, hard crystal sulfation will form on the plates, reducing the efficiency and service life of the battery.
- Never add electrolyte or distilled water to the battery. Doing so will damage the case and shorten the life of the battery.
- Store the battery in the vehicle with the cables disconnected, or store the battery in a cool / dry location. Batteries will self discharge more rapidly when stored in extreme temperatures.

LOW MAINTENANCE BATTERIES

CHARGING

- Polaris recommends using a BatteryMINDER® 1.5 AMP (PN 2830404) charger, which can be ordered through your normal parts channel.
- Nominal voltage is 12.6–12.8 Volts when fully charged. If the voltage falls below 12.5V, charge it immediately, or the battery runs the risk of sulfation.

MAINTENANCE

- Never add electrolyte or distilled water to the battery. Doing so will damage the case and shorten the life of the battery.
- If you do not drive the vehicle for more than TWO weeks, maintain the battery with the BatteryMINDER® 1.5 AMP (PN 2830404) charger.
- If you plan to store the vehicle for ONE month or longer, remove the battery from the vehicle and store the battery in a cool / dry location. Continue to maintain the battery with the BatteryMINDER® 1.5 AMP (PN 2830404) charger and inspect the battery every 60 days.

REAR SPRING

The rear shock absorber spring is adjusted by rotating the adjuster either clockwise or counter-clockwise to increase or decrease spring tension.

HANDLEBARS

The handlebars can be adjusted for rider preference.

WARNING

Improper adjustment of the handlebars or incorrect torquing of the adjuster block tightening bolts can cause limited steering or loosening of the handlebars, resulting in loss of control and serious injury or death. Follow the adjustment procedures exactly, or see your POLARIS dealer for service.

1. Remove the upper headlight pod.
2. Loosen the four handlebar bolts.
3. Adjust the handlebar to the desired height. Be sure the handlebars do not contact the gas tank or any other part of the machine when turned fully to the left or right.
4. Torque the front two bolts to specification, then torque the rear two bolts. A gap of up to 1/8" (3 mm) will remain at the rear of the clamp blocks.

TORQUE

Handlebar Bolts:
14 ft-lbs (19 N·m)

5. Reinstall the headlight pod.

CLEANING AND STORAGE

WASHING THE VEHICLE

Keeping your POLARIS vehicle clean will not only improve its appearance but it can also extend the life of various components.

Water in the PVT system could cause the drive belt to become wet and slip in the clutches. Always avoid spraying water directly toward any intake pre-filters. If water does enter the PVT intake, follow the procedure in the PVT Drying section.

Certain products, including insect repellents and chemicals, will damage plastic surfaces. Do not allow these types of products to contact the vehicle.

The best way to clean your POLARIS vehicle is with a garden hose and a pail of mild soap and water.

1. Use a professional-type washing cloth, cleaning the upper body first and the lower parts last.
2. Rinse with clean water frequently.
3. Dry surfaces with a chamois to prevent water spots.

WASHING TIPS

- Avoid the use of harsh cleaners, which can damage the finish.
- Do not use medium to heavy duty compounds on the finish.
- Always use clean cloths and pads for cleaning and polishing. Old or reused cloths and pads may contain dirt particles that will scratch the finish.
- Do not use high-speed polishers/buffers on body panels, as damage or color fading may occur.

USING A HIGH PRESSURE WATER SYSTEM

 **WARNING**

Spilled oil left on engine components or in the engine area may pose a fire hazard. Use shop rags to clean any spilled oil. If needed, use a non-flammable solvent on the rag to aid in the cleaning process. Do not use any device such as pressurized water or air as this may disperse the oil onto the engine components and could pose a fire hazard.

MAINTENANCE

If a high pressure water system is used for cleaning, exercise extreme caution. The maximum pressure should not exceed 3000 psi (20684.27 kPa), 2.5 GPM (567.81 LPH) with a 40° pressure washer nozzle. Make sure to keep the pressure washer nozzle 2 ft (60 cm) from the vehicle and away from the surface being cleaned. High water pressure could remove paint and labels and damage radiator fins and/or impair a radiator's effectiveness. High water pressure with a hot temperature could also damage brake lines with the nozzle at a close proximity even with a short exposure time. Avoid directing the water stream at the following items:

- Wheel bearings
- Radiator
- Transmission seals
- Brakes / brake lines
- Body panels
- Labels and decals
- Electrical components and wiring
- Air intake components
- Throttle and shift cables and controls
- Seats

If warning and safety labels are damaged, contact your POLARIS dealer for free replacement.

Grease all zerk fittings immediately after washing. Allow the engine to run for a while to evaporate any water that may have entered the engine or exhaust system.

POLISHING THE VEHICLE

POLARIS recommends the use of common household aerosol furniture polish for polishing the finish on your POLARIS vehicle. Follow the instructions on the container.

POLISHING TIPS

- Avoid the use of automotive products, some of which can scratch the finish of your vehicle.
- Always use clean cloths and pads for cleaning and polishing. Old or reused cloths and pads may contain dirt particles that will scratch the finish.

STORAGE TIPS

NOTICE

Starting the engine during the storage period will disturb the protective film created by fogging and damage could occur. Never start the engine during the storage period.

CLEAN THE EXTERIOR

Make any necessary repairs and clean the vehicle as recommended. See the Washing the Vehicle section.

STABILIZE THE FUEL

1. Fill the fuel tank.
2. Add POLARIS Carbon Clean Fuel Treatment or POLARIS Fuel Stabilizer or equivalent fuel treatments or stabilizers. Follow the instructions on the container for the recommended amount. Carbon Clean removes water from fuel systems, stabilizes fuel and removes carbon deposits from pistons, rings, valves and exhaust systems.
3. Allow the engine to run for 15-20 minutes to allow the stabilizer to disperse through the entire fuel delivery system.

OIL AND FILTER

Change the oil and filter. See the Engine Oil section.

AIR FILTER / AIR BOX

Replace the air filter. See Maintenance Chapter. Clean the air box.

FLUID LEVELS

Inspect the fluid levels. Add or change fluids as recommended in the Polaris Maintenance Schedule.

- Demand drive fluid (front gearcase)
- Rear gearcase fluid (if equipped)
- Transmission fluid
- Brake fluid (change every two years and any time the fluid looks dark or contaminated)
- Coolant (test strength/fill)

INSPECT AND LUBRICATE

Inspect all cables and lubricate all areas of the vehicle as recommended in the Polaris Maintenance Schedule.

FOG THE ENGINE

1. Treat the fuel system with POLARIS Carbon Clean or other equivalent fuel treatment. Follow the instructions on the container. Start the engine. Allow it to idle for several minutes so the Carbon Clean reaches the injectors. Stop the engine.
2. Remove the spark plug and add 1–1.5 oz. (29.5–44 cc.) of engine oil. To access the plug hole, use a section of clear 6 mm (1/4") hose and a small plastic squeeze bottle filled with the pre-measured amount of oil. *Do this carefully! If you miss the plug holes, oil will drain from the spark plug cavities into the hole at the front of the cylinder head, and appear to be an oil leak.*
3. Reinstall the spark plug. Torque to specification.

MAINTENANCE

4. Apply dielectric grease to the inside of the spark plug cap. *Do not reinstall the cap onto the plug at this step.*
5. Turn the engine over several times. Oil will be forced in and around the piston rings and ring lands, coating the cylinder with a protective film of fresh oil.
6. Reinstall the spark plug cap.
7. If POLARIS fuel system additive is not used, fuel tank, fuel lines, and injectors should be completely drained of gasoline.

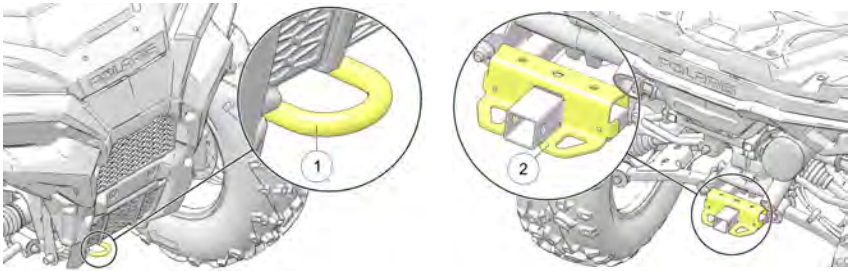
BATTERY MAINTENANCE

See the **Battery Storage and Battery Charging** sections for storage and charging procedures.

STORAGE AREA / COVERS

Be sure the storage area is well ventilated. Cover the vehicle with a genuine POLARIS cover. Do not use plastic or coated materials. They do not allow enough ventilation to prevent condensation, and may promote corrosion and oxidation.

TRAILERING YOUR VEHICLE



Follow these procedures when transporting the vehicle.

1. Stop the engine.
2. Place the transmission in PARK.
3. Secure the fuel cap, oil cap, and seat.
4. Remove the key to prevent loss during transporting.
5. Use suitable straps or rope to secure the vehicle to the front tow hook ① and rear tow bracket ②. Do not attach tie straps to the front A-arm bolt pockets, racks, or handlebars.

SPECIFICATIONS

SPORTSMAN 450 H.O. / 450 H.O. EPS

SPORTSMAN 450 H.O. / 450 H.O. EPS

Maximum Weight Capacity	485 lb (220 kg) (operator, cargo, accessories)
Manufactured Weight	450 H.O.: 714 lb (324 kg) 450 H.O. EPS: 736 lb (334 kg)
Fuel Capacity	4.5 gal (17 L)
Engine Oil Capacity	2 qt (1.9 L)
Coolant Capacity	2.7 qt (2.5 L)
Demand Drive Fluid Capacity	9 oz (265 mL)
Transmission Oil Capacity	32 oz (948 mL)
Front Rack / Storage Box Capacity	90 lb (40.8 kg)
Rear Rack Capacity	180 lb (81.6 kg)
Receiver Hitch Tongue Capacity	135 lb (61 kg) Rear rack capacity and tongue weight not to exceed 180 lb (81.6 kg)
Hitch Towing Rating	1350 lb (612 kg)
Front Hitch Maximum Towed Load (Level Ground)	850 lb (386 kg)
Front Maximum Vertical Hitch Weight	85 lb (39 kg)
Overall Length	85 in (215 cm)
Overall Width	48 in (122 cm)
Overall Height	51 in (129 cm)
Wheelbase	50.5 in (128.3 cm)
Ground Clearance	11.5 in (29.2 cm)
Minimum Turning Radius	65 in (165 cm) unloaded
Engine	Single overhead cam, 2 valve 4 stroke single cylinder
Displacement	499 cc
Bore x Stroke	93 mm x 73.6 mm
Alternator Output	660 W @ 5000 RPM

SPECIFICATIONS

SPORTSMAN 450 H.O. / 450 H.O. EPS	
Compression Ratio	10:1
Starting System	Electric
Ignition System	ECU
Idle RPM	1200 +/- 50
Spark Plug Type / Gap	AUTOLITE® 5926 0.033 in (0.084 cm)
Lubrication System	Wet Sump
Driving System Type	Automatic PVT (POLARIS Variable Transmission)
Front Suspension	Sealed MacPherson Ride® Strut with 8.2 in (21 cm) Travel
Rear Suspension	Sealed Dual A-Arm, IRS 9.5 in (24 cm) Travel
Transmission	H/L/N/R/P
Gear Reduction, Low	23.91:1
Gear Reduction, Reverse	21.74:1
Gear Reduction, High	12.79:1
Drive Ratio, Front	3.82:1
Drive Ratio, Rear	3.7:1
Tires / Pressure, Front	25x8-12 / 7 psi (48.3 kPa)
Tires / Pressure, Rear	25x10-12 / 7 psi (48.3 kPa)
Brakes, Front / Rear	Single-Control Hydraulic Disc
Brakes, Auxiliary	Foot-Activated Hydraulic Disc
Brake, Parking	Hydraulic Lock, All Wheel
Headlight	1 Single Beam on Headlight POD (50 watt) 2 Single Beam on Bumper (55 watt)
Brake Lights / Taillights	Non-EPS: Single LED Brake Light / Taillight EPS: Dual LED Brake Lights / Taillights
Instrument Cluster	LCD

SPORTSMAN 450 H.O. UTILITY

SPORTSMAN 450 H.O. UTILITY	
Maximum Weight Capacity	485 lb (220 kg) (operator, cargo, accessories)
Manufactured Weight	767 lb (348 kg)
Fuel Capacity	4.5 gal (17 L)
Engine Oil Capacity	2 qt (1.9 L)
Coolant Capacity	2.7 qt (2.5 L)
Demand Drive Fluid Capacity	9 oz (265 mL)
Transmission Oil Capacity	32 oz (948 mL)
Front Rack / Storage Box Capacity	90 lb (40.8 kg)
Rear Rack Capacity	180 lb (81.6 kg)
Receiver Hitch Tongue Capacity	135 lb (61 kg) Rear rack capacity and tongue weight not to exceed 180 lb (81.6 kg)
Hitch Towing Rating	1350 lb (612 kg)
Front Hitch Maximum Towed Load (Level Ground)	850 lb (386 kg)
Front Maximum Vertical Hitch Weight	85 lb (39 kg)
Overall Length	85 in (215 cm)
Overall Width	48 in (122 cm)
Overall Height	51 in (129 cm)
Wheelbase	50.5 in (128.3 cm)
Ground Clearance	11.5 in (29.2 cm)
Minimum Turning Radius	65 in (165 cm) unloaded
Engine	Single overhead cam, 2 valve 4 stroke single cylinder
Displacement	499 cc
Bore x Stroke	93 mm x 73.6 mm
Alternator Output	660 W @ 5000 RPM
Compression Ratio	10:1

SPECIFICATIONS

SPORTSMAN 450 H.O. UTILITY	
Starting System	Electric
Ignition System	ECU
Idle RPM	1200 +/- 50
Spark Plug Type / Gap	AUTOLITE® 5926 0.033 in (0.084 cm)
Lubrication System	Wet Sump
Driving System Type	Automatic PVT (POLARIS Variable Transmission)
Front Suspension	Sealed MacPherson Ride® Strut with 8.2 in (21 cm) Travel
Rear Suspension	Sealed Dual A-Arm, IRS 9.5 in (24 cm) Travel
Transmission	H/L/N/R/P
Gear Reduction, Low	23.91:1
Gear Reduction, Reverse	21.74:1
Gear Reduction, High	12.79:1
Drive Ratio, Front	3.82:1
Drive Ratio, Rear	3.7:1
Tires / Pressure, Front	25x8-12 / 7 psi (48.3 kPa)
Tires / Pressure, Rear	25x10-12 / 7 psi (48.3 kPa)
Brakes, Front / Rear	Single-Control Hydraulic Disc
Brakes, Auxiliary	Foot-Activated Hydraulic Disc
Brake, Parking	Hydraulic Lock, All Wheel
Headlight	1 Single Beam on Headlight POD (50 watt) 2 Single Beam on Bumper (55 watt)
Brake Light / Taillight	Single LED Brake Light / Taillight
Instrument Cluster	LCD

SPORTSMAN 570 / 570 EPS / PREMIUM**SPORTSMAN 570 / 570 EPS / PREMIUM**

Maximum Weight Capacity	485 lb (220 kg) (operator, cargo, accessories)
Manufactured Weight	570: 717 lb (325 kg) 570 EPS: 765 lb (347 kg) 570 EPS Premium: 761 lb (345 kg)
Fuel Capacity	4.5 gal (17 L)
Engine Oil Capacity	2 qt (1.9 L)
Coolant Capacity	2.7 qt (2.5 L)
Demand Drive Fluid Capacity	9 oz (265 mL)
Transmission Oil Capacity	32 oz (948 mL)
Front Rack / Storage Box Capacity	90 lb (40.8 kg)
Rear Rack Capacity	180 lb (81.6 kg)
Receiver Hitch Tongue Capacity	135 lb (61 kg) Rear rack capacity and tongue weight not to exceed 180 lb (81.6 kg)
Hitch Towing Rating	1350 lb (612 kg)
Front Hitch Maximum Towed Load (Level Ground)	850 lb (386 kg)
Front Maximum Vertical Hitch Weight	85 lb (39 kg)
Overall Length	83 in (210 cm)
Overall Width	47 in (120 cm)
Overall Height	51 in (130 cm)
Wheelbase	50.5 in (128.3 cm)
Ground Clearance	11.5 in (29.2 cm)
Minimum Turning Radius	65 in (165 cm) unloaded
Engine	Dual overhead cam, 4 valve 4 stroke single cylinder
Displacement	567 cc
Bore x Stroke	99mm x 73.6mm
Alternator Output	660 W @ 5000 RPM

SPECIFICATIONS

SPORTSMAN 570 / 570 EPS / PREMIUM	
Compression Ratio	10:1
Starting System	Electric
Ignition System	ECU
Idle RPM	1200 +/- 50
Spark Plug Type / Gap	NGK® MR7F 0.030 in (0.076 cm)
Lubrication System	Wet Sump
Driving System Type	Automatic PVT (POLARIS Variable Transmission)
Front Suspension	Sealed MacPherson Ride® Strut with 8.2 in (21 cm) Travel
Rear Suspension	Sealed Dual A-Arm, IRS 9.5 in (24 cm) Travel
Transmission	H/L/N/R/P
Gear Reduction, Low	23.91:1
Gear Reduction, Reverse	21.74:1
Gear Reduction, High	11.12:1 (EBS Models) 9.75:1 (Non-EBS Models)
Drive Ratio, Front	3.82:1
Drive Ratio, Rear	3.7:1
Tires / Pressure, Front	570 / 570 EPS: 25x8-12 / 7 psi (48.3 kPa) 570 EPS Premium: 26x8-14 / 7 psi (48.3 kPa)
Tires / Pressure, Rear	570 / 570 EPS: 25x10-12 / 7 psi (48.3 kPa) 570 EPS Premium: 26x10-14 / 7 psi (48.3 kPa)
Brakes, Front / Rear	Single-Control Hydraulic Disc
Brakes, Auxiliary	Foot-Activated Hydraulic Disc
Brake, Parking	Hydraulic Lock, All Wheel
Headlight	1 Single Beam on Headlight POD (50 watt) 2 Single Beam on Bumper (55 watt)
Brake Lights / Taillights	570: Single LED Brake Light / Taillight 570 EPS / 570 EPS Premium: Dual LED Brake Lights / Taillights
Instrument Cluster	LCD

SPORTSMAN 570 UTILITY HD

SPORTSMAN 570 UTILITY HD	
Maximum Weight Capacity	485 lb (220 kg) (operator, cargo, accessories)
Manufactured Weight	796 lb (361 kg)
Fuel Capacity	4.5 gal (17 L)
Engine Oil Capacity	2 qt (1.9 L)
Coolant Capacity	2.7 qt (2.5 L)
Demand Drive Fluid Capacity	9 oz (265 mL)
Transmission Oil Capacity	32 oz (948 mL)
Front Rack / Storage Box Capacity	90 lb (40.8 kg)
Rear Rack Capacity	180 lb (81.6 kg)
Receiver Hitch Tongue Capacity	135 lb (61 kg) Rear rack capacity and tongue weight not to exceed 180 lb (81.6 kg)
Hitch Towing Rating	1350 lb (612 kg)
Front Hitch Maximum Towed Load (Level Ground)	850 lb (386 kg)
Front Maximum Vertical Hitch Weight	85 lb (39 kg)
Overall Length	83 in (210 cm)
Overall Width	47 in (120 cm)
Overall Height	51 in (130 cm)
Wheelbase	50.5 in (128.3 cm)
Ground Clearance	11.5 in (29.2 cm)
Minimum Turning Radius	65 in (165 cm) unloaded
Engine	Dual overhead cam, 4 valve 4 stroke single cylinder
Displacement	567 cc
Bore x Stroke	99mm x 73.6mm
Alternator Output	660 W @ 5000 RPM
Compression Ratio	10:1

SPECIFICATIONS

SPORTSMAN 570 UTILITY HD	
Starting System	Electric
Ignition System	ECU
Idle RPM	1200 +/- 50
Spark Plug Type / Gap	NGK® MR7F 0.030 in (0.076 cm)
Lubrication System	Wet Sump
Driving System Type	Automatic PVT (POLARIS Variable Transmission)
Front Suspension	Sealed MacPherson Ride® Strut with 8.2 in (21 cm) Travel
Rear Suspension	Sealed Dual A-Arm, IRS 9.5 in (24 cm) Travel
Transmission	H/L/N/R/P
Gear Reduction, Low	23.91:1
Gear Reduction, Reverse	21.74:1
Gear Reduction, High	11.12:1
Drive Ratio, Front	3.82:1
Drive Ratio, Rear	3.7:1
Tires / Pressure, Front	25x8-12 / 7 psi (48.3 kPa)
Tires / Pressure, Rear	25x10-12 / 7 psi (48.3 kPa)
Brakes, Front / Rear	Single-Control Hydraulic Disc
Brakes, Auxiliary	Foot-Activated Hydraulic Disc
Brake, Parking	Hydraulic Lock, All Wheel
Headlight	1 Single Beam on Headlight POD (50 watt) 2 Single Beam on Bumper (55 watt)
Brake Lights / Taillights	Dual LED Brake Lights / Taillights
Instrument Cluster	LCD

SPORTSMAN 570 TRAIL / HUNT EDITION / RIDE COMMAND

SPORTSMAN 570 TRAIL / HUNT EDITION / RIDE COMMAND	
Maximum Weight Capacity	485 lb (220 kg) (operator, cargo, accessories)
Manufactured Weight	873 lb (396 kg)
Fuel Capacity	4.5 gal (17 L)
Engine Oil Capacity	2 qt (1.9 L)
Coolant Capacity	2.7 qt (2.5 L)
Demand Drive Fluid Capacity	9 oz (265 mL)
Transmission Oil Capacity	32 oz (948 mL)
Front Rack / Storage Box Capacity	90 lb (40.8 kg)
Rear Rack Capacity	180 lb (81.6 kg)
Receiver Hitch Tongue Capacity	135 lb (61 kg) Rear rack capacity and tongue weight not to exceed 180 lb (81.6 kg)
Hitch Towing Rating	1350 lb (612 kg)
Front Hitch Maximum Towed Load (Level Ground)	850 lb (386 kg)
Front Maximum Vertical Hitch Weight	85 lb (39 kg)
Overall Length	83 in (210 cm)
Overall Width	47 in (120 cm)
Overall Height	51 in (130 cm)
Wheelbase	50.5 in (128.3 cm)
Ground Clearance	11.5 in (29.2 cm)
Minimum Turning Radius	65 in (165 cm) unloaded
Engine	Dual overhead cam, 4 valve 4 stroke single cylinder
Displacement	567 cc
Bore x Stroke	99 mm x 73.6 mm
Alternator Output	660 W @ 5000 RPM

SPECIFICATIONS

SPORTSMAN 570 TRAIL / HUNT EDITION / RIDE COMMAND	
Compression Ratio	10:1
Starting System	Electric
Ignition System	ECU
Idle RPM	1200 +/- 50
Spark Plug Type / Gap	NGK® MR7F 0.030 in (0.076 cm)
Lubrication System	Wet Sump
Driving System Type	Automatic PVT (POLARIS Variable Transmission)
Front Suspension	Sealed Dual A-Arm with 8.9 in (22.6 cm) Travel
Rear Suspension	Sealed Dual A-Arm, IRS 9.5 in (24 cm) Travel
Transmission	H/L/N/R/P
Gear Reduction, Low	23.91:1
Gear Reduction, Reverse	21.74:1
Gear Reduction, High	9.75:1
Drive Ratio, Front	3.82:1
Tires / Pressure, Front	26x8-14 / 7 psi (48.3 kPa)
Tires / Pressure, Rear	26x10-14 / 7 psi (48.3 kPa)
Brakes, Front / Rear	Single-Control Hydraulic Disc
Brakes, Auxiliary	Foot-Activated Hydraulic Disc
Brake, Parking	Hydraulic Lock, All Wheel
Headlight	LED Pod & Bumper Lights
Brake Lights / Taillights	Dual LED Brake Lights / Taillights
Instrument Cluster	LCD

CLUTCHING CHART

CLUTCH SETTINGS				
ALTITUDE meters (feet)	DRIVE CLUTCH		DRIVEN CLUTCH	
	Shift Weight	Clutch Spring	Clutch Spring	Driven Helix*
0-1800 (0-6000)	EBS: 1323850 (36-67)	EBS: 7045660	EBS: 7045554	EBS: 1323720
	Non-EBS: 5632409 (25-52)	Non-EBS: 7043594	Non-EBS: 7041782	Non-EBS: 5132344
1800-3700 (6000-12000)	EBS: 1327125 (36-63)	EBS: 7045660	EBS: 7045554	EBS: 1323720
	Non-EBS: 5633217 (25-48)	Non-EBS: 7043594	Non-EBS: 7041782	Non-EBS: 5132344
*EBS models require no helix / spring adjustment.				

POLARIS PRODUCTS

LUBRICANTS / SERVICE PRODUCTS

PRODUCT	SIZE	PART NUMBER
Fogging Oil	12 oz (340 g) aerosol	2870791
PS-4	1 qt (0.95 L)	2876244
	1 gal (3.8 L)	2876245
PS-4 Extreme Duty	1 qt (0.95 L)	2889395
	1 gal (3.8 L)	2889396
Oil Change Kit	Includes 2 qt of PS-4 engine oil, 1 oil filter, and 1 drain plug washer	2877473
AGL	1 qt (0.95 L)	2878068
	1 gal (3.8 L)	2878069
Pump for Gallon Jug	—	2870465
Demand Drive Fluid	1 qt (0.95 L)	2877922
Angle Drive Fluid	1 qt (0.95 L)	2889280
Antifreeze / Coolant	1 qt (0.95 L)	2880514
	1 gal (3.8 L)	2880513
Grease Gun Kit, Premium All Season	—	2871312
All Season Grease	4-pack 3 oz (85.05 g) cartridge	2871322
	14 oz (396.9 g) cartridge	2871423
U-Joint Grease	3 oz (85.05 g) cartridge	2871515
	14 oz (396.9 g) cartridge	2871551
Carbon Clean	12 fl oz (355 mL)	2881413
Fuel Stabilizer	12 fl oz (355 mL)	2881416
DOT 4 Brake Fluid	12 fl oz (355 mL)	2872189
BatteryMINDER® 2012 AGM - 2 AMP Charger	—	2830438

TROUBLESHOOTING

DIAGNOSTIC DISPLAY CODE DEFINITIONS

Open Load: There is a break in the wires that lead to the item listed in the chart (injector, fuel pump, etc.), or the item has failed.

Short-to-Ground: The wire is shorted to ground between the electronic control unit and the item listed in the chart.

Shorted Load: The wires leading to the item listed in the chart are shorted together, or the item has shorted internally.

Short-to-Battery: The wire leading from the item listed in the chart to the electronic control unit is shorted to a wire at battery voltage.

DIAGNOSTIC CODES			
COMPONENT	CONDITION	SPN	FMI
Throttle Position Sensor	Voltage Too High	51	3
	Voltage Too Low	51	4
Engine Temperature Sensor	Voltage Too High	110	3
	Voltage Too Low	110	4
	Temperature Too High	110	16
	Engine Overheat Shutdown	110	0
Intake Air Temperature Sensor	Voltage Too High	105	3
	Voltage Too Low	105	4
Manifold Absolute Pressure Sensor	Voltage Too High	102	3
	Voltage Too Low	102	4
	Signal Out of Range	102	2
Crankshaft Position Sensor	Circuit Fault	636	8
	Plausibility Fault	636	2
Vehicle Speed Signal	Speed Too High	84	8
	Plausibility Fault	84	2

TROUBLESHOOTING

DIAGNOSTIC CODES			
COMPONENT	CONDITION	SPN	FMI
Gear Sensor Signal	Voltage Too Low	523	4
	Voltage Too Low	523	3
	Signal Fault	523	2
Injector 1 (MAG) (SDI Part Load)	Driver Circuit Open/Grounded	651	5
	Driver Circuit Short to B+	651	3
	Driver Circuit Grounded	651	4
Injector 2 (PTO) (SDI Part Load)	Driver Circuit Open/Grounded	652	5
	Driver Circuit Short to B+	652	3
	Driver Circuit Grounded	652	4
Ignition Coil Primary Driver 1 (MAG)	Driver Circuit Short to B+	1268	3
Ignition Coil Primary Driver 2 (PTO)	Driver Circuit Short to B+	1269	3
Fuel Pump Driver Circuit	Driver Circuit Open/Grounded	1347	5
	Driver Circuit Short to B+	1347	3
	Driver Circuit Grounded	1347	4
Fan Relay Driver Circuit	Driver Circuit Open/Grounded	1071	5
	Driver Circuit Short to B+	1071	3
	Driver Circuit Grounded	1071	4

TROUBLESHOOTING

DIAGNOSTIC CODES			
COMPONENT	CONDITION	SPN	FMI
Idle Air Control	Driver Circuit Open/Grounded	634	5
	Driver Circuit Short to B+	634	3
	Driver Circuit Grounded	634	4
	Position Out of Range	634	7
Starter Enable Circuit	Driver Circuit Open/Grounded	1321	5
	Driver Circuit Short to B+	1321	3
	Driver Circuit Grounded	1321	4
Chassis Relay	Driver Circuit Open/Grounded	520208	5
	Driver Circuit Short to B+	520208	3
	Driver Circuit Grounded	520208	4
All Wheel Drive Control	Driver Circuit Open/Grounded	520207	5
	Driver Circuit Short to B+	520207	3
	Driver Circuit Grounded	520207	4
System Power	Voltage Too High	168	3
	Voltage Too Low	168	4
Throttle Safety Signal	Voltage Too High	520194	3
	Voltage Too Low	520194	4
	Signal Out of Range	520194	2

TROUBLESHOOTING

DIAGNOSTIC CODES			
COMPONENT	CONDITION	SPN	FMI
	Throttle Stuck	520194	7
Active Descent Control System	Driver Circuit Open/Grounded	520203	5
	Driver Circuit Short to B+	520203	3
	Driver Circuit Grounded	520203	4
Idle Speed	Speed Too High	520211	3
	Speed Too Low	520211	4

DIAGNOSTIC CODES			
COMPONENT	CONDITION	SPN	FMI
EPS MODELS ONLY			
Vehicle Speed Sensor	Received Network Data In Error	84	19
System Power	Voltage Above Normal, Or Shorted To High Source	168	3
	Voltage Below Normal, Or Shorted To Low Source	168	4
Engine Speed	Received Network Data In Error	190	19
ECU Memory	Bad Intelligent Device Or Component	628	12
Calibration	Out Of Calibration	630	13
Steering Over Current Shut Down	Current Above Normal Or Grounded Circuit	520221	6
Steering Excessive Current Error	Current Above Normal Or Grounded Circuit	520222	6

TROUBLESHOOTING

DIAGNOSTIC CODES			
COMPONENT	CONDITION	SPN	FMI
EPS MODELS ONLY			
Steering Torque Full Failure	Condition Exists	520224	31
EPAS Inverter Temperature	Data Valid But Above Normal Operational Range - Most Severe Level	520225	0
	Data Valid But Above Normal Operating Range - Moderately Severe Level	520225	16
EPAS Communications Receive Data Error	Data Erratic, Intermittent Or Incorrect	520226	2
Position Encoder Error	Root Cause Not Known	520228	11
EPAS Software Error	Bad Intelligent Device Or Component	520229	12
EPAS Power Save Condition	Condition Exists	520231	31
EPS CAN Communications Transmit Error	Data Erratic, Intermittent Or Incorrect	520227	2

TROUBLESHOOTING

DRIVE BELT WEAR/BURN

POSSIBLE CAUSE	SOLUTION
Driving onto a pickup or tall trailer in high range	Use low range during loading.
Starting out going up a steep incline	Use low range.
Driving at low RPM or ground speed – 3–7 mph (4.8–11.3 km/h)	Drive at a higher speed or use low range more frequently.
Insufficient warm-up at low ambient temperatures	Warm the engine at least 5 minutes. With the transmission in neutral, advance the throttle to about 1/8 throttle in short bursts, 5 to 7 times. The belt will become more flexible and prevent belt burning.
Slow/easy clutch engagement	Use the throttle quickly and effectively.
Towing/pushing at low RPM/low ground speed	Use low range only.
Utility use/plowing	Use low range only.
Stuck in mud or snow	Shift the transmission to low range and carefully use fast, aggressive throttle application to engage clutch. WARNING: Excessive throttle may cause loss of control and vehicle rollover.
Climbing over large objects from a stopped position	Shift the transmission to low range and carefully use fast, brief, aggressive throttle application to engage clutch. WARNING: Excessive throttle may cause loss of control and vehicle rollover.
Belt slippage from water or snow ingestion into the PVT system	Dry out the PVT. Prevent water from entering the PVT intake duct. See Intake Pre-Filters for more information. Inspect clutch seals for damage if repeated leaking occurs.
Clutch malfunction	An authorized dealer can assist.
Poor engine performance	Check for clogged air filter, clogged fuel filter, water in the fuel or foreign material in fuel tank or fuel lines. An authorized dealer can assist.
Slippage from failure to warm up belt	Always warm up the belt by operating below 30 mph (48 km/h) for 1 miles (1.6 km) (5 miles (8 km) or more when temperature is below freezing).
Wrong or missing belt	Install the recommended belt.
Improper break-in	Always break in a new belt and/or clutch.

ENGINE DOESN'T TURN OVER

POSSIBLE CAUSE	SOLUTION
Low battery voltage	Recharge the battery.
Loose battery connections	Check all connections and tighten.
Loose solenoid connections	Check all connections and tighten.
Loose electronic control box connections	Inspect, clean, reinstall connectors.

ENGINE TURNS OVER, FAILS TO START

POSSIBLE CAUSE	SOLUTION
Out of fuel	Refuel.
Water is present in fuel	Drain the fuel system and refuel.
Old or non-recommended fuel	Replace with fresh recommended fuel.
Fouled or defective spark plug	Inspect plug and replace if necessary.
No spark to spark plug	Inspect plug and replace if necessary.
Water or fuel in crankcase	Your authorized dealer can assist.
Low battery voltage	Recharge the battery to 12.8 VDC.
Mechanical failure	Your authorized dealer can assist.

ENGINE BACKFIRES

POSSIBLE CAUSE	SOLUTION
Weak spark from spark plug	Inspect, clean and/or replace spark plug
Incorrect spark plug gap or heat range	Set gap to specs or replace plug
Old or non-recommended fuel	Replace with fresh recommended fuel
Incorrectly installed spark plug wires	Your authorized dealer can assist

TROUBLESHOOTING

POSSIBLE CAUSE	SOLUTION
Mechanical failure	Your authorized dealer can assist
Loose ignition connections	Check all connections and tighten
Water present in fuel	Replace with fresh recommended fuel

ENGINE PINGS OR KNOCKS

POSSIBLE CAUSE	SOLUTION
Poor quality or low octane fuel	Replace with recommended fuel
Incorrect spark plug gap or heat range	Set gap to specs or replace plug

ENGINE RUNS IRREGULARLY, STALLS OR MISFIRES

POSSIBLE CAUSE	SOLUTION
Fouled or defective spark plug	Inspect, clean and/or replace spark plug
Worn or defective spark plug wires	Your authorized dealer can assist
Incorrect spark plug gap or heat range	Set gap to specs or replace plug
Loose ignition connections	Check all connections and tighten
Water present in fuel	Replace with new fuel
Low battery voltage	Recharge battery to 12.8 VDC
Incorrect fuel	Replace with recommended fuel
Clogged air filter	Inspect and clean or replace
Clogged intake pre-filter	Inspect and clean (with soapy water) or replace
Other mechanical failure	Your authorized dealer can assist

ENGINE STOPS OR LOSES POWER

POSSIBLE CAUSE	SOLUTION
Out of fuel	Refuel
Kinked or plugged fuel vent line	Inspect and replace
Water is present in fuel	Replace with new fuel
Fouled or defective spark plug	Inspect, clean and/or replace spark plug
Worn or defective spark plug wires	Your authorized dealer can assist
Incorrect spark plug gap or heat range	Set gap to specs or replace plug
Loose ignition connections	Check all connections and tighten
Low battery voltage	Recharge the battery
Incorrect fuel	Replace with fresh recommended fuel
Clogged air filter	Inspect and clean or replace
Clogged intake pre-filter	Inspect and clean (with soapy water) or replace
Other mechanical failure	Your authorized dealer can assist
Overheated engine	Clean radiator screen and core, clean engine exterior, and check coolant level. Your dealer can assist.

WARRANTY

LIMITED WARRANTY

POLARIS Industries Inc., 2100 Highway 55, Medina, MN 55340 (POLARIS) gives a SIX MONTH LIMITED WARRANTY on all components of your POLARIS vehicle against defects in material or workmanship. Laws and regulations in your jurisdiction may give extra protection. POLARIS further warrants that the spark arrester in this product will meet the efficiency requirements of USFS standard 5100-1C for at least 1000 hours when subjected to normal use and when maintenance and installation are in accordance with POLARIS recommendations.

This warranty covers parts and labor charges for repair or replacement of defective parts and begins on the date of purchase by the original retail purchaser. The duration of this warranty may vary by international region based upon local laws and regulations.

REGISTRATION

At the time of sale, the Warranty Registration Form must be completed by your dealer and submitted to POLARIS within ten days of purchase. Upon receipt of this registration, POLARIS will record the registration for warranty. No verification of registration will be sent to the purchaser as the copy of the Warranty Registration Form will be your proof of warranty coverage. If you have not signed the original registration and received the customer copy, please contact your dealer immediately. Initial dealer preparation and set-up of your vehicle is very important in ensuring trouble-free operation.

WARRANTY COVERAGE AND EXCLUSIONS

LIMITATIONS OF WARRANTIES AND REMEDIES

This POLARIS limited warranty excludes any failures that are not caused by a defect in material or workmanship. THIS WARRANTY DOES NOT COVER CLAIMS OF DEFECTIVE DESIGN. This warranty also does not cover acts of God, accidental damage, normal wear and tear, abuse or improper handling. This warranty also does not cover damage to any vehicle, component, or part as a result of being structurally modified, neglected, improperly maintained or used for racing, competition or purposes other than for which it was designed.

This warranty excludes damages or failures resulting from improper lubrication; improper engine timing; improper fuel; surface imperfections caused by external stress, heat, cold or contamination; operator error or abuse; improper component alignment, tension, adjustment or altitude compensation; snow, water, dirt or other foreign substance ingestion/contamination; improper maintenance; modified components; use of aftermarket or unapproved components, accessories, or attachments; use of unapproved software or calibration; unauthorized repairs; or repairs made after the warranty period expires or by an unauthorized repair center.

This warranty excludes damages or failures caused by abuse, accident, fire, or any other cause other than a defect in materials or workmanship and provides no coverage for consumable components, general wear items, or any parts exposed to friction surfaces, stresses, environmental conditions and/or contamination for which they were not designed or not intended, including but not limited to the following items:

- Wheels and tires
- Suspension components
- Brake components
- Seat components
- Clutches and components
- Steering components
- Batteries
- Light bulbs/Sealed beam lamps
- Filters
- Lubricants
- Bushings
- Finished and unfinished surfaces
- Carburetor/Throttle body components
- Engine components
- Drive belts
- Hydraulic components and fluids
- Circuit breakers/Fuses
- Electronic components
- Spark plugs
- Sealants
- Coolants
- Bearings

LUBRICANTS AND FLUIDS

1. Mixing oil brands or using non-recommended oil may cause engine damage. We recommend the use of POLARIS engine oil.
2. Damage or failure resulting from the use of non-recommended lubricants or fluids is not covered by this warranty.

This warranty provides no coverage for personal loss or expense, including mileage, transportation costs, hotels, meals, shipping or handling fees, product pick-up or delivery, replacement rentals, loss of product use, loss of profits, or loss of vacation or personal time.

THE EXCLUSIVE REMEDY FOR BREACH OF THIS WARRANTY SHALL BE, AT POLARIS' OPTION, REPAIR OR REPLACEMENT OF ANY DEFECTIVE MATERIALS, COMPONENTS, OR PRODUCTS. THE REMEDIES SET FORTH IN THIS WARRANTY ARE THE ONLY REMEDIES AVAILABLE TO ANY PERSON FOR BREACH OF THIS WARRANTY. POLARIS SHALL HAVE NO LIABILITY TO ANY PERSON FOR INCIDENTAL, CONSEQUENTIAL OR SPECIAL DAMAGES OF ANY DESCRIPTION, WHETHER ARISING OUT OF EXPRESS OR IMPLIED WARRANTY OR ANY OTHER CONTRACT, NEGLIGENCE, OR OTHER TORT OR OTHERWISE. THIS EXCLUSION OF CONSEQUENTIAL, INCIDENTAL, AND SPECIAL DAMAGES IS INDEPENDENT FROM AND SHALL SURVIVE ANY FINDING THAT THE EXCLUSIVE REMEDY FAILED OF ITS ESSENTIAL PURPOSE.

THE IMPLIED WARRANTY OF FITNESS FOR A PARTICULAR PURPOSE IS EXCLUDED FROM THIS LIMITED WARRANTY. ALL OTHER IMPLIED WARRANTIES (INCLUDING BUT NOT LIMITED TO THE IMPLIED WARRANTY OF MERCHANTABILITY) ARE LIMITED IN DURATION TO THE ABOVE SIX MONTH WARRANTY PERIOD. POLARIS DISCLAIMS ALL EXPRESS WARRANTIES NOT STATED IN THIS WARRANTY. SOME STATES DO NOT PERMIT THE EXCLUSION OR LIMITATION OF INCIDENTAL OR CONSEQUENTIAL DAMAGES OR ALLOW LIMITATIONS ON THE DURATION OF IMPLIED WARRANTIES, SO THE ABOVE LIMITATIONS MAY NOT APPLY TO YOU IF INCONSISTENT WITH CONTROLLING STATE LAW.

HOW TO OBTAIN WARRANTY SERVICE

You are responsible for presenting your vehicle to an authorized POLARIS dealer as soon as a problem exists. The warranty repairs should be completed in a reasonable amount of time, not to exceed 30 days. However any damage caused to the product by you or any non-authorized third party may void this warranty. Warranty or Service Bulletin repairs must be done by an authorized POLARIS dealer, or other qualified person authorized by POLARIS.

Outside the Country where your product was purchased:

If you are traveling temporarily outside the country where your product was purchased, you should take your product to an authorized POLARIS dealer. You must show the dealer photo identification from the country of the selling dealer's authorized location as proof of residence. Upon residence verification, the servicing dealer will be authorized to perform the warranty repair.

If you move:

If you move to another country, be sure to contact POLARIS Owner Connections and the customs department of the destination country before you move. Product importation rules vary considerably from country to country. You may be required to present documentation of your move to POLARIS to continue your warranty coverage. You may also be required to obtain documentation from POLARIS to register your product in your new country. We recommend that you register your product at a local authorized POLARIS dealer promptly after you move.

If you purchase from a private party:

If you purchase a POLARIS product from a private party, to be kept and used outside of the country in which the product was originally purchased, all warranty coverage will be denied. However, we encourage you to promptly register your product at your local authorized POLARIS dealer to receive safety information and notice regarding your product.

EXPORTED PRODUCTS

EXCEPT WHERE SPECIFICALLY REQUIRED BY LAW, THERE IS NO WARRANTY OR SERVICE BULLETIN COVERAGE ON THIS PRODUCT IF IT IS SOLD OUTSIDE THE COUNTRY OF THE SELLING DEALER'S AUTHORIZED LOCATION. This policy does not apply to products that have received authorization for export from POLARIS. Dealers may not give authorization for export. You should consult an authorized dealer to determine this product's warranty or service coverage if you have any questions. This policy does not apply to products registered to government officials or military personnel on assignment outside the country of the selling dealer's authorized location. This policy does not apply to Safety Bulletins.

NOTICE

If your product is registered outside of the country where it was purchased and you have not followed the procedure set above, your product will no longer be eligible for warranty or service bulletin coverage of any kind, other than safety bulletins. Products registered to government officials or military personnel on assignment outside of the country where the product was purchased will continue to be covered by the Limited Warranty.

Please work with your dealer to resolve any warranty issues. Dealership contacts can be found via this website, if needed:

www.polaris.com/en-us/contact

Should your dealer require any additional assistance, they will contact the appropriate person at POLARIS.

This warranty gives you specific legal rights, and you may also have other rights which vary from state to state or in different countries. If any of the above terms are void because of federal, state, local law, all other warranty terms will remain in effect.

For questions call POLARIS Owner Connections:

United States & Canada: 1-800-POLARIS (1-800-765-2747)

WARRANTY

U.S.A. EPA EMISSIONS LIMITED WARRANTY

This emissions limited warranty is in addition to the POLARIS standard limited warranty for your vehicle. POLARIS Industries Inc. warrants that at the time it is first purchased, this emissions-certified vehicle is designed, built and equipped so it conforms with applicable U.S. Environmental Protection Agency emission regulations. POLARIS warrants that the vehicle is free from defects in materials and workmanship that would cause it to fail to meet these regulations.

The warranty period for off road vehicles 100cc or greater emissions-certified vehicles starts on the date of purchase by original retail purchaser and continues for a period of 500 hours of engine operation, 3100 miles (5000 km) of vehicle travel, or 30 calendar months from the date of purchase, whichever comes first. The warranty period for ATVs less than 100cc emissions-certified vehicles starts on the date of purchase by original retail purchaser and continues for a period of 250 hours of engine operation, 1550 miles (2500 km) of vehicle travel, or 30 calendar months from the date of purchase, whichever comes first. This EPA emissions warranty period is extended for at least as long as the standard factory warranty that POLARIS provides on the vehicle as a whole. The EPA emissions warranty period does not further extend if you purchase additional warranty coverage in the form of a service contract or other paid warranty extension, but emission-related parts may be covered subject to the terms of any such paid service contract or paid warranty extension.

This emissions limited warranty covers components whose failure increases the vehicle's regulated emissions, and it covers components of systems whose only purpose is to control emissions. Repairing or replacing other components not covered by this warranty is the responsibility of the vehicle owner. This emissions limited warranty does not cover components whose failure does not increase the vehicle's regulated emissions.

For exhaust emissions, emission-related components include any engine parts related to the following systems:

- Air-induction system
- Fuel system
- Ignition system
- Exhaust gas recirculation systems

The following parts are also considered emission-related components for exhaust emissions:

- After treatment devices
- Crankcase ventilation valves
- Sensors
- Electronic control units

The following parts are considered emission-related components for evaporative emissions:

- Fuel Tank
- Fuel Cap
- Fuel Line
- Fuel Line Fittings
- Clamps*
- Pressure Relief Valves*
- Control Valves*
- Control Solenoids*
- Electronic Controls*
- Vacuum Control Diaphragms*
- Control Cables*
- Control Linkages*
- Purge Valves
- Vapor Hoses
- Liquid/Vapor Separator
- Carbon Canister
- Canister Mounting Brackets
- Carburetor Purge Port Connector

*As related to the evaporative emission control system.

Emission-related components also include any other part whose only purpose is to reduce emissions or whose failure will increase emissions without significantly degrading engine/equipment performance. The exclusive remedy for breach of this limited warranty shall be, at the exclusive option of POLARIS, repair or replacement of any defective materials, components or products. THE REMEDIES SET FORTH IN THIS LIMITED WARRANTY ARE THE ONLY REMEDIES AVAILABLE TO ANY PERSON FOR BREACH OF THIS WARRANTY. POLARIS SHALL HAVE NO LIABILITY TO ANY PERSON FOR INCIDENTAL, CONSEQUENTIAL OR SPECIAL DAMAGES OF ANY DESCRIPTION, WHETHER ARISING OUT OF EXPRESS OR IMPLIED WARRANTY OR ANY OTHER CONTRACT, NEGLIGENCE OR OTHER TORT OR OTHERWISE. THIS EXCLUSION OF CONSEQUENTIAL, INCIDENTAL, AND SPECIAL DAMAGES IS INDEPENDENT FROM AND SHALL SURVIVE ANY FINDING THAT THE EXCLUSIVE REMEDY FAILED OF ITS ESSENTIAL PURPOSE.

ALL IMPLIED WARRANTIES (INCLUDING BUT NOT LIMITED TO ANY IMPLIED WARRANTIES OF MERCHANTABILITY AND FITNESS FOR A PARTICULAR PURPOSE) ARE LIMITED IN DURATION TO THE WARRANTY PERIOD DESCRIBED HEREIN. POLARIS DISCLAIMS ALL EXPRESS WARRANTIES NOT STATED IN THIS WARRANTY. Some states do not allow limitations on how long an implied warranty lasts, so the above limitation may not apply if it is inconsistent with the controlling state law.

This limited warranty excludes failures not caused by a defect in material or workmanship. This limited warranty does not cover damage due to accidents, abuse or improper handling, maintenance or use. This limited warranty also does not cover damage to any engine as a result of being structurally altered, or when the vehicle has been used in racing competition. This limited warranty also does not cover physical damage, corrosion or defects caused by fire, explosions or other similar causes beyond the control of POLARIS.

WARRANTY

Owners are responsible for performing the scheduled maintenance identified in the owner's manual. POLARIS may deny warranty claims for failures that have been caused by the owner's or operator's improper maintenance or use, by accidents for which POLARIS has no responsibility, or by acts of God.

Any qualified repair shop or person may maintain, replace, or repair the emission control devices or systems on your vehicle. An authorized POLARIS dealer can perform any service that may be necessary for your vehicle.

POLARIS also recommends POLARIS parts, however equivalent parts may be used for such service. It is a potential violation of the Clean Air Act if a part supplied by an aftermarket parts manufacturer reduces the effectiveness of the vehicle's emission controls. Tampering with emission controls is prohibited by federal law.

CALIFORNIA RESIDENTS

Certain POLARIS Off-Road Vehicles are available in 49-state and 50-state versions. Only the 50-state models are certified for sale in California. The 50-state models available for sale in California are identified by the letter “B” in the ninth position of the model number (e.g., R16RTE87B). The POLARIS 50-state models are designed and built with features such as a reduced cargo box capacity. Any modifications to these features may be a violation of the applicable California regulations and may void this limited emissions warranty offered by the manufacturer.

POLARIS Inc. warrants that at the time it is first purchased, this vehicle is:

1. Designed, built, and equipped so as to conform, at the time of sale, with all applicable California evaporative emissions regulations.
2. Free from defects in materials and workmanship that may cause the failure of a warranted part as defined in California evaporative emissions regulations. All replacement parts must be identical in all material respects to that part as described in the OHRV manufacturer's Executive Order of Certification application.

The California evaporative emissions control system limited warranty statement below applies to your Off Highway Recreational Vehicle in California if the vehicle is equipped with an evaporative emission control system and is labeled with a Vehicle Evaporative Emissions Control Information label indicating that the vehicle conforms to California evaporative emissions regulations applicable to new off-road sport vehicles, all-terrain vehicles, or off-road utility vehicles. These vehicles are referred to as “OHRV-EVAP” below.

CALIFORNIA EMISSION CONTROL WARRANTY STATEMENT YOUR WARRANTY RIGHTS AND OBLIGATIONS

The California Air Resources Board and POLARIS Industries Inc. is pleased to explain the emission control system warranty on your model year 2018 and newer Off Highway Recreational Vehicle. In California, new off-highway recreational vehicles must be designed, built and equipped to meet the State's stringent anti-smog standards. POLARIS must warrant the emission control system on your OHRV-EVAP for the periods of time listed below provided there has been no abuse, neglect or improper maintenance of your OHRV-EVAP.

Your emission control system may include parts such as the carburetor or fuel injection system, fuel tank, fuel hoses, carbon canister, engine computer and Evaporative Emissions Control System parts listed in the U.S.A. EPA Emissions Limited Warranty. Also included may be hoses, belts, connectors and other emission-related assemblies. Where a warrantable condition exists, POLARIS will repair your OHRV-EVAP at no cost to you including diagnosis, parts and labor.

MANUFACTURER'S WARRANTY COVERAGE

For model year 2018 and newer OHRV-EVAP models.

WARRANTY

For 30 months, or 2500 miles, or 250 hours, whichever comes first, except for evaporative components over the OHRV high-priced warranty value, which is covered for 60 months, or 5000 miles, or 500 hours, whichever comes first. If any emission-related part on your OHRV-EVAP is defective, the part will be repaired or replaced by POLARIS.

OWNER'S WARRANTY RESPONSIBILITIES

As the OHRV-EVAP owner, you are responsible for the performance of the required maintenance listed in your owner's manual. POLARIS recommends that you retain all receipts covering maintenance on your OHRV-EVAP, but POLARIS cannot deny warranty solely for the lack of receipts or for your failure to ensure the performance of a scheduled maintenance.

As an owner you are responsible for presenting your OHRV-EVAP to an authorized POLARIS dealer as soon as a problem exists. The warranty repairs should be completed in a reasonable amount of time, not to exceed 30 days.

As an OHRV-EVAP owner, you should also be aware that POLARIS may deny you warranty coverage if your OHRV-EVAP or a part has failed due to abuse, neglect, improper maintenance or unapproved modifications.

ORV / OHRV

- POLARIS must honor the CARB-approved California emission warranty included in the Owner's Manual.
- POLARIS is liable for damages to other vehicle components proximately caused by a failure under warranty of any California emissions-warranted part.
- Any add-on or modified part exempted by the California Air Resources Board from the prohibitions of California Vehicle Code section 27156 may be used on a vehicle, engine, or trailer. Such use, in and of itself, shall not be grounds for disallowing a warranty claim made in accordance with California emission warranty requirements. POLARIS shall not be liable under CARB emissions warranty requirements to warranty failures of warranted parts caused by the use of an add-on modified part.

These requirements are based on the following provisions of the California Code of Regulations, which apply as written.

- 13 CCR §2419.1(d) Subject to the conditions and exclusions of subdivision (i), the warranty on emissions-related parts must function as follows.

— (7) The OHRV manufacturer is liable for damages to other vehicle components proximately caused by a failure, under warranty, of any warranted part.

— (10) Any add-on or modified part exempted by the Air Resources Board from the prohibitions of section 27156 of the California Vehicle Code may be used on an OHRV. Such use, in and of itself, will not be grounds for disallowing a warranty claim made under the provisions of this Article. The OHRV manufacturer is not liable under the provisions of this Article to warranty failures of warranted parts caused by the use of an add-on or modified part(s) unless such part(s) are also warranted.

ADD-ON OR MODIFIED PARTS

An add-on or modified part must be compliant with applicable CARB emission control standards. A violation of this requirement is punishable by civil and/or criminal punishment.

If you have any questions regarding your warranty rights and responsibilities, you should contact POLARIS Owner Connections at 1-800-POLARIS (1-800-765-2747) or the California Air Resources Board at 9528 Telstar Avenue, El Monte, CA 91731.

United States & Canada: 1-800-POLARIS (1-800-765-2747)

WARRANTY

HOW THE CALIFORNIA EMISSIONS WARRANTY ON EVAPORATIVE EMISSIONS PARTS MUST FUNCTION AS PRESCRIBED IN 13 CCR §2419.1

- (1) Any warranted part which is not scheduled for replacement as part of maintenance in the Owner's Manual must be warranted for the warranty period. If any such part fails during the warranty period, it must be repaired or replaced by POLARIS according to subdivision (4) below. Any such part repaired or replaced under warranty must be fully warranted.
- (2) Any warranted part which is scheduled only for regular inspection in the Owner's Manual must be warranted for the warranty period. A statement in such written instructions to the effect of "repair or replace as necessary" must not reduce the period of warranty coverage. Any such part repaired or replaced under warranty must be warranted for the remaining warranty period.
- (3) Any warranted part which is scheduled for replacement as part of maintenance in the Owner's Manual must be warranted for the period of time prior to the first scheduled replacement point for that part. If the part fails before the first scheduled replacement point, the part must be repaired or replaced by POLARIS according to subdivision (4). Any such part repaired or replaced under warranty must be warranted for the remainder of the period prior to the first scheduled replacement point for the part.
- (4) Repair or replacement of any warranted part under the warranty provisions of this Article must be performed at no charge to the OHRV owner, at a warranty station, except in the case of a temporary repair when a warranted part or a warranty station is not reasonably available to the OHRV owner. In the event a temporary repair is permitted according to subdivision (8) below, repairs may be performed at any available service establishment, or by the owner, using any replacement part. POLARIS must reimburse the owner for his or her expenses including diagnostic charges for such temporary repair or replacement, not to exceed POLARIS' suggested retail price for all warranted parts replaced and labor charges based on the POLARIS recommended time allowance for the warranty repair and the geographically appropriate hourly labor rate.
- (5) Notwithstanding the provisions of subdivision (4) above, warranty services or repairs must be provided at all POLARIS dealerships that are owned by POLARIS or franchised to service the subject OHRVs.
- (6) The OHRV owner must not be charged for diagnostic labor which leads to the determination that a warranted part is, in fact, defective, provided that such diagnostic work is performed at a warranty station.
- (7) POLARIS is liable for damages to other vehicle components proximately caused by a failure, under warranty, of any warranted part.

(8) Throughout the OHRV's evaporative emissions warranty period, POLARIS must maintain a supply of warranted parts sufficient to meet the expected demand for such parts. The lack of availability of such parts or the incompleteness of repairs within a reasonable time period, not to exceed 30 days from the time the OHRV is initially presented to the warranty station for repair, will qualify the need for a temporary repair for purposes of subdivision (4).

(9) Any replacement part designated by POLARIS may be used in warranty repairs provided without charge to the OHRV owner. Such use will not reduce the warranty obligations of POLARIS, except that POLARIS will not be liable under the provisions of this Article for repair or replacement of any replacement part which is not a warranted part (except as provided under subdivision (d)(7)).

(10) Any add-on or modified part exempted by the Air Resources Board from the prohibitions of section 27156 of the California Vehicle Code may be used on an OHRV. Such use, in and of itself, will not be grounds for disallowing a warranty claim made under the provisions of this Article. POLARIS is not liable under the provisions of this Article to warrant failures of warranted parts caused by the use of an add-on or modified part(s) unless such part(s) are also warranted.

(11) Upon a request of the Executive Officer, POLARIS must provide any documents that describe the manufacturer's warranty procedures or policies.

(12) Any replacement part must not reduce the effectiveness of the OHRV emission control system. POLARIS must demonstrate that the applicable emission standards are being met when the replacement part(s) are installed on the OHRV. The demonstration of equivalence to applicable emission standards can be achieved through replacing the part(s) with the evaporative emissions control components the OHRV evaporative family was certified with; or, if unavailable, alternative parts may be installed if POLARIS can provide test data to verify the evaporative control system meets, at least, the OHRV EFEL.

EXCLUSION

Notwithstanding the provisions of subdivisions (1) - (12) above, the repair or replacement of any warranted part otherwise eligible for the California Warranty on Evaporative Emission Parts, is excluded from such warranty coverage if POLARIS can provide evidence to the California Air Resources Board Executive Officer, to the Executive Officer's satisfaction, that the OHRV has been abused, neglected, improperly maintained, or had unapproved modifications and that such abuse, neglect, improper maintenance, or unapproved modification, was the direct cause of the need for the repair or replacement of the part.

A	
Active Descent Control (ADC)	
System	41
ADC 4X4 Mode (if equipped).....	39
Age Restrictions	15
Air Filter	
Maintenance	146
Air Filter / Air Box.....	185
All Wheel Drive System.....	37, 40
2X4 Mode	38
EVAP Models	
2x4 Mode.....	41
ADC AWD Mode	41
AWD Mode.....	40
App Tray.....	80
Automatic Transmission Gear	
Selector	45
Auxiliary Foot Brake	44, 134
Auxiliary Outlet.....	68
AWD (4x4) Mode	38
B	
Badge Panel.....	79
Battery	174
Identification	179
Installation	175
Battery Charge Port	69
Battery Charging	178
Battery Maintenance	186
Battery Removal.....	175
Battery Storage	176
Boots	14
Brake Fluid Level.....	44
Brake Lever.....	42
Brake System	
Break-In	88
Brakes	134
Bumper Light	
Adjustment.....	151
C	
California Residents	221
Camber and Caster.....	146

Cargo Warning.....	103
Clean the Exterior.....	184
Clothing.....	14
Clutching Chart	199
Cold Weather Operation.....	100
Controls Tab.....	80
Cooling System.....	132
Crankcase Emission Control	
System	115
Crossing Hillside.....	19

D	
Descending Hills Improperly	19
Device Operating Requirements ...	72
Diagnostic Display Code	
Definitions	203
Disengaging Active Descent	
Control	41
Display Brightness	80
Display Mode.....	80
Drive Belt	
Inspection	166
Installation	167
Removal.....	161
Drive Belt Wear/Burn.....	208
Drive Mode Switch.....	36
Driving Over Obstacles	98
Driving Procedures	
Driving Downhill	94
Driving in Reverse	99
Driving on a Sidehill	
(Sidehilling)	95
Driving on Slippery Surfaces	92
Driving Through Water.....	97
Driving Uphill	93
Parking on an Incline.....	102

E	
Electromagnetic Interference	115
Electronic Power Steering (EPS) (if	
equipped)	
Tri-Mode Settings	67
Engaging Active Descent	
Control	41

Engaging AWD	39
Engine and Drivetrain Break-In	87
Engine Backfires	209
Engine Doesn't Turn Over	209
Engine Oil	123
Engine Overheat Indicator	81
Engine Pings or Knocks	210
Engine Runs Irregularly, Stalls or Misfires	210
Engine Stops or Loses Power	211
Engine Turns Over, Fails to Start	209
Exhaust Emission Control System	115
Exported Products	217
Exposure to Exhaust	17
Eye Protection	14

F

Failure to Inspect Before Operating	16
Fluid Levels	185
Fluid Part Numbers	201
Fog the Engine	185
Front Gearcase (Demand Drive) Fluid	129
Fuel Cap	68
Fuel Recommendation	101
Fuel Stabilizer	185
Fuse Replacement	148

G

Gauge No Button Format	50
Gauge Screen	73
Gauge Screen Configuration	74
Gauge View Mode	76
Geofencing (If Equipped)	57
Gloves	14

H

Hand Brake	134
------------------	-----

Handlebars	182
Handling Gasoline	16
Hauling Cargo Guidelines	104
Headlight Lamp Replacement	149
Headlight Switch	34
Helmet	14
Hot Exhaust Systems	25

I

Icon Bar	77
Ignition Switch	32
Improper Cargo Loading	24
Improper Hill Climbing	19
Improper Tire Maintenance	22
Inspect and Lubricate	185
Instrument Cluster	46
Back Light Color	64
Back Light Level	65
Change PIN	60
Clock	63
Diagnostic Code	54
Display Area 1	51
Display Area 2	52
Geofence Inside Geofence Speed	58
Maximum Speed	56
Outside Geofence Speed	59
Indicator Lamps	48
Options Menu	53
Advanced Menu	55
Service Hours	66
Unit Selection Distance	61
Unit Selection Temperature	62

J

Jumps and Stunts	19
------------------------	----

K

Key Replacement	9
Know Your Riding Area	86

L		Operating on Steep Hills 21
Lead Acid Low Maintenance		Operating Over Obstacles 22
Battery..... 180		Operating Through Water 23
LED Headlight Replacement 149		Operation on Public Lands in the U.S.A..... 115
Lights..... 149		
Headlight Housing		P
Replacement 152		Parking Brake 43
High Beam Adjustment 150		Parking Brake Indicator..... 81
Low Maintenance Batteries..... 181		Parking the Vehicle 102
Lower Headlamp Replacement... 153		Part Numbers 201
Lubricants / Service Products 201		Periodic Maintenance 117
Lubrication Guide 122		Physical Control of the Vehicle 18
		Physical Skills..... 24
M		POLARIS Products 201
Maintenance		Polishing the Vehicle 184
Air Filter..... 146		Poor Visibility..... 24
Maintenance Log..... 227		Power Steering Unit (Cleaning)... 131
Master Cylinder/Brake Fluid 42		Pre-Ride Checklist..... 89
Modifications to Vehicle 26		Protective Apparel 17
		PVT
		Break-In (Clutches / Belt) ...88, 160
		PVT System 159
N		
Near-field Communication (NFC) .. 11		R
New Operator Driving		Radiator Coolant 133
Procedures..... 90		Radio Compliance Statements 9
Noise Emission Control System... 115		Rear Spring..... 181
Notifications Tab..... 80		Recovery Bottle Coolant 133
		Reporting Safety Defects (Canada)..... 12
O		Ride Command
Oil and Filter 185		Badge Panel..... 79
Oil and Oil Filter Change 125		Before You Ride 71
Oil Level Check 124		Ride Command Buttons 72
Oil Recommendations 123		Ride Command Overview..... 71
Operating a Damaged Vehicle 23		RIDE COMMAND+ 83
Operating at Excessive Speeds 18		
Operating Improperly in Reverse... 22		S
Operating in Unfamiliar Terrain 21		Safe Operation Practices 85
Operating on Frozen Bodies of Water 24		Safe Riding Gear..... 13
Operating on Pavement 17		Safety Labels and Locations 27
Operating on Public Roads 17		
Operating on Slippery Terrain 21		

Age 16 Warning	28
Clutch Cover Warning.....	29
Discretionary Warning	30
Front Rack / Container Warning	30
General Warning	28
No Passenger Warning	29
Overview	27
Rear Rack Warning (Touring Models)	30
Reverse Override/AWD Warning	29
Tire Pressure / Overload Warning	29
Safety Symbols	4
Safety Training.....	13
Safety Warnings.....	15
Safety, Winch Maintenance.....	114
Severe Use Definition.....	117
Shock Loading the Winch.....	113
Side Panel / Footwell Installation.....	140
Side Panel / Footwell Removal ...	135
Signal Words.....	4
Skidding or Sliding	23
Software & Map Updates.....	81
Over-the-Air (if equipped).....	81
USB Drive.....	82
Spark Arrestor Service.....	156
Spark Arrestor Service (California (EVAP) Models).....	157
Spark Plug Inspection.....	154
Spark Plug Recommendations ...	154
Spark Plugs.....	154
Specifications	
Sportsman 450 H.O.	189
Sportsman 450 H.O. EPS.....	189
Sportsman 450 H.O. Utility	191
Sportsman 570	193
Sportsman 570 EPS.....	193
Sportsman 570 EPS Premium	193
Sportsman 570 Trail / Hunt Edition / Ride Command	197
Sportsman 570 Utility HD	195
Stabilize the Fuel.....	185
Stalling While Climbing a Hill.....	20
Starting the Engine	100

Steering Assembly.....	132
Stopping the Engine.....	100
Storage	184
Storage Area	186
Switches	
Driveline Switch	35
Driveline Switch (570 California (EVAP), 570 Utility HD, 570 Trail, and 570 Hunt Edition Models)	35
Engine Stop Switch.....	33
Mode/Reverse Override Switch	33
Overview	31
Throttle Lever	34

T

Taillights/Brake Lights Replacement	153
Tire Tread Depth	142
Tires	142
Toe Alignment.....	145
Towing Loads	104
Towing Your Vehicle	104
Trademarks.....	2
Trail Etiquette	86
Trailer Hitch Warning.....	25
Trailer Your Vehicle	187
Transmission Oil.....	128
Tread Lightly SM	86
Turning Around on a Hill (K-Turn)	96
Turning Improperly.....	18

U

Unauthorized Use of the Vehicle ...	25
USB Hardware.....	83

V

Vehicle Break-in Period.....	87
Vehicle Identification Numbers	7
Vehicle Immersion	155

W

Warning Symbols	4
Warranty	
How to Obtain Warranty	
Service	216
Limitations	214
Limited Warranty	213
Lubricants and Fluids	215
Notice	217
Registration.....	213
U.S.A. EPA Emissions Limited Warranty	218
Washing the Vehicle.....	183
Washing Tips.....	183
Welcome Page	3
Wet Fouled Plug.....	154
Wheel Installation	143
Wheel Nut Torque	
Specifications.....	144
Wheel Removal.....	143
Winch	
Winch Operation	107
Winch Safety Precautions	105
Winch Cable Care	112
Winch Maintenance and Service Safety	114
Winch Shock Loading	113

WARNING

Improper ATV use can result in SEVERE INJURY or DEATH.



**ALWAYS USE AN
APPROVED
HELMET AND
PROTECTIVE GEAR**



**NEVER USE ON
PUBLIC ROADS**



**NEVER CARRY
PASSENGERS**



**NEVER USE WITH
DRUGS OR
ALCOHOL**

Never operate:

- without proper training or instruction
- at speeds too fast for your skills or the conditions
- on public roads - a collision can occur with another vehicle
- with a passenger - passengers affect balance and steering and can increase risk of losing control

Always:

- use proper riding techniques to avoid vehicle overturns on hills and rough terrain and in turns
- avoid paved surfaces - pavement may seriously affect handling and control



**SCAN CODE FOR PRODUCT AND SAFETY
INFORMATION. FOLLOW ALL INSTRUCTIONS
AND WARNINGS**

For your nearest Polaris dealer,
call 1-800-POLARIS (765-2747)
or visit www.polaris.com



Polaris Inc.
2100 Highway 55
Medina, MN 55340

Part No. 9941613 Rev 02
Printed in USA