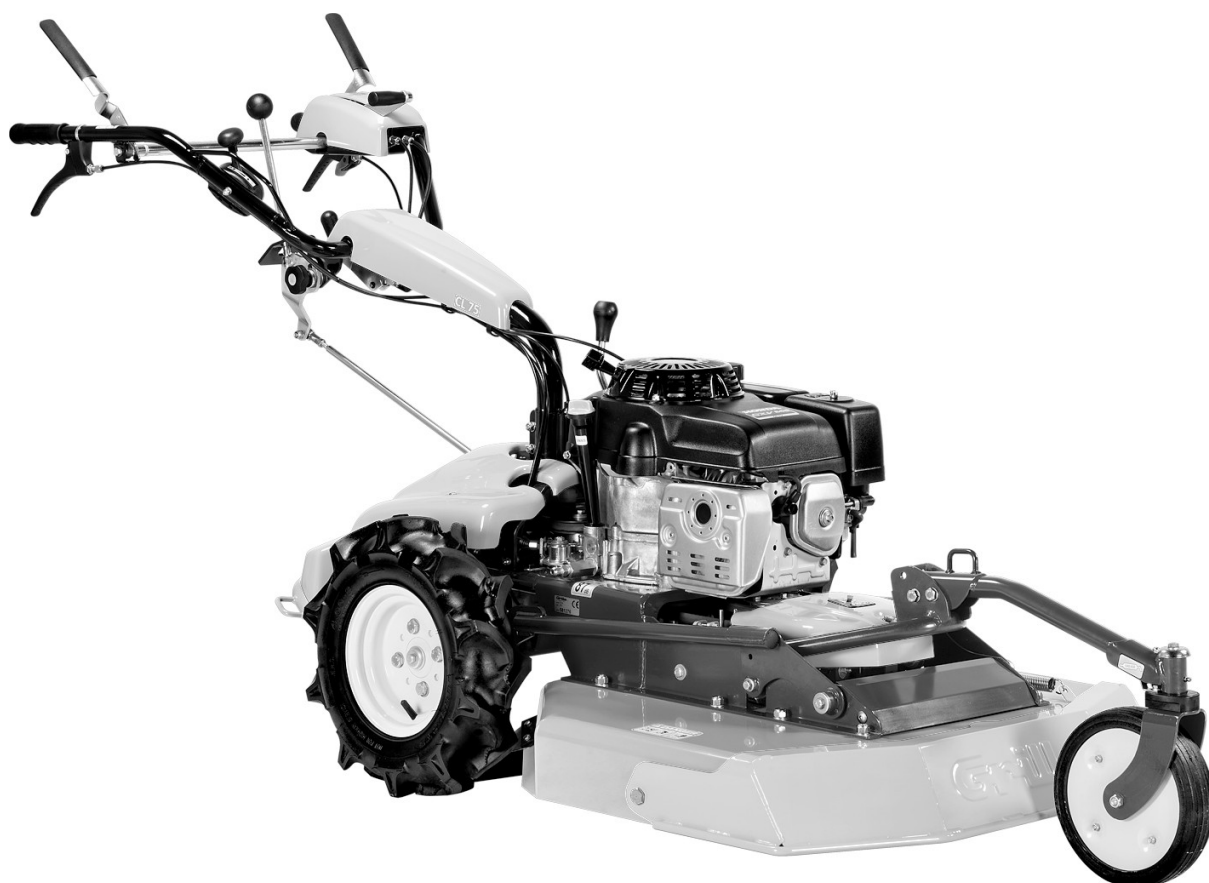




Grillo

AGRIGARDEN MACHINES



02456-15

CL 75

**OPERATOR'S MANUAL
MANUALE DELL'OPERATORE
MANUEL D'UTILISATION
BEDIENUNGSANLEITUNG
MANUAL DE INSTRUCCIONES**

SUMMARY

Safety rules	
Instructions :	
Warnings	6
Identification and servicing	8
Technical specifications	8
Putting the machine into service	9
Instructions for use	9
Maintenance and lubrication	10
Illustrations	52
EC Declaration of conformity - Noise and vibrations levels	59

INDICE

Norme antinfortunistiche	
Istruzioni :	
Avvertenze	15
Identificazione e assistenza	17
Caratteristiche tecniche	17
Messa in opera della macchina	18
Istruzioni d'uso	18
Manutenzione e lubrificazione	19
Figure	52
Certificato di conformità CE - Rumorosità e livelli di vibrazione	59

INDEX

Règles de sécurité	
Instructions :	
Mises en garde	24
Identification et assistance	26
Caractéristiques techniques	26
Mise en service de la machine	27
Mode d'emploi	27
Maintenance et lubrification	28
Illustrations	52
Certificat de conformité CE - Niveaux sonores et de vibration	59

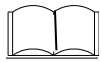
INHALTSÜBERSICHT

Sicherheitsvorschriften	
Anleitung:	
Sicherheitsrelevante Hinweise	33
Identifikation der Maschine und Kundendienst	35
Technische Daten	36
Inbetriebnahme der Maschine	36
Betriebsanleitung	37
Wartung und Schmierung	38
Abbildungsverzeichnis	52
EG-Konformitätserklärung - Geräuschemission und Vibrationspegel	59

ÍNDICE

Normas de seguridad	
Instrucciones:	
Advertencias	43
Identificación y asistencia	45
Características técnicas	45
Puesta en servicio de la máquina	46
Instrucciones de uso	46
Mantenimiento y lubricación	47
Índice de ilustraciones	52
Certificado de conformidad CE - Niveles de ruido y vibración	59

**SAFETY SYMBOLS - SIMBOLOGIA PER LA SICUREZZA - SYMBOLOGIE POUR LA SECURITE -
SICHERHEITSSYMBOL- SIMBOLOGÍA DE SEGURIDAD**



OPEN MANUAL- means that you must read the operator's manual very carefully.

MANUALE APERTO - significa che dovete leggere attentamente il manuale di uso e manutenzione.

MANUEL OUVERT – signifie qu'il faut lire avec attention le présent manuel.

OFFENES HANDBUCH – bedeutet, dass Sie die Gebrauchs- und Wartungsanleitung aufmerksam durchlesen müssen.

MANUAL ABIERTO – es decir que hay que leer muy atentamente el manual del operador.



CAUTION! - means that you have to pay particular attention to the operation you have to carry out, in particular if there is the indication "DANGER".

ATTENZIONE! - significa che dovete porre particolare attenzione all'operazione che dovete effettuare, in particolare se vi è anche l'indicazione di "Pericolo".

ATTENTION! - signifie qu'il faut faire particulière attention dans l'opération que vous allez faire, en particulier s'il y a aussi l'indication "DANGER".

VORSICHT! - bedeutet, dass Sie besondere Aufmerksamkeit beim Durchführen des Vorgangs haben müssen, insbesondere wenn auch der Hinweis "GEFAHR" aufgeführt ist.

ATENCIÓN! - es decir que hay que poner mayor atención en la operación a ejecutar si, en particular cuando hay también la indicación "Peligro".



INTERDICTION, YOU MUST NOT DO THAT! - means that it is absolutely forbidden to carry out the operations reported under this symbol because they could lead to mortal danger.

DIVIETO, NON FARE! - significa che non dovete assolutamente fare le operazioni riportate sotto questo simbolo, potrebbe comportare un pericolo mortale.

INTERDICTION, NE PAS FAIRE! - signifie qu'il est absolument interdit d' effectuer les opérations reportées sous cette indication, car elles pourraient conduire au danger de mort.

VERBOT, strengstens untersagt! - bedeutet, dass der Vorgang unter diesem Symbol absolut nicht durchgeführt werden darf, da er zur einer lebensgefährlichen Situation führen könnte.

PROHIBICIÓN, NO LO HAGAN! - es decir que no hay que hacer absolutamente las operaciones bajo este símbolo, podría comportar un peligro mortal.



NOTE, you have to pay particular attention to the note put next to this symbol

NOTA, dovete porre particolare attenzione alla nota posta accanto a questo simbolo.

NOTE, il faut faire attention particulière à la note mise à côté de ce symbole.

ANMERKUNG, besondere Aufmerksamkeit muss auf die Anmerkungen neben diesem Symbol gelenkt werden.

NOTA, hay que poner atención particular en la nota puesta a lado de este símbolo.



You must not repair nor lubricate the machine with moving parts or with the engine put on.

Non riparare o lubrificare la macchina con organi in movimento o motore acceso

Ne pas réparer ou lubrifier la machine avec des parties en mouvement ou à moteur en marche.

Niemals bei bewegenden Objekten oder bei laufendem Motor Reparationen oder Einschmierungen durchführen.

No reparar ni lubricar la máquina con órganos en movimiento o motor en marcha.



You must not smoke, light matches or lift flames, trigger frames nor cause sparks.

Vietato fumare, accendere fiammiferi o fiamme, lasciare fiamme libere o creare scintille.

Il est interdit de fumer, allumer des allumettes ou du feu, laisser des flammes libres ou de causer des étincelles.

Es ist untersagt zu Rauchen, Streichhölzer oder Feuer anzuzünden, Flammen auslösen oder Funken verursachen.

Prohibido fumar, encender cerillas o fuego, dejar llamas o crear chispas.



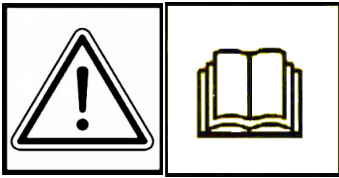
Use personal protective equipment

Utilizzare mezzi di protezione individuali

Utilisez l'équipement de protection individuelle

Individuelle Schutzausrüstung benutzen

Utilizar dispositivo de protección individual



GENERAL SECURITY RULES

NORME DI CARATTERE GENERALE SULLA SICUREZZA

SICHERHEITSHINWEISE

RÈGLES GÉNÉRALES DE SÉCURITÉ

NORMAS DE CARÁCTER GENERAL SOBRE LA SEGURIDAD

NORMAS DE CARÁCTER GENERAL ACERCA DA SEGURANÇA

Pay attention to symbol **DANGER!** It points out all most dangerous operations according to the situation. All safety rules are important and therefore must be strictly observed. Always keep this handbook within the reach, read it carefully and learn how to use the equipment in a safe way. Let nobody, not provided with necessary information, work with the equipment.

*Fare attenzione al simbolo **PERICOLO!** Esso indica la presenza delle principali situazioni di pericolo. Tutte le norme antinfortunistiche contenute sono importanti e vanno rispettate. Tenere sempre questo manuale a portata di mano, leggerlo attentamente ed imparare ad usare l'attrezzatura in modo sicuro. Non permettere che qualcuno operi con questa attrezzatura senza aver ricevuto istruzioni esaurienti.*

Attention au symbole **DANGER!** Il indique la présence des principales situations de danger. Toutes les normes contenues pour la prévention des accidents sont importantes et doivent être respectées scrupuleusement. Garder toujours ce manuel à la portée de la main, le lire attentivement et apprendre à utiliser ce matériel en toute sécurité. Ne pas permettre que d'autres personnes utilisent ce matériel sans avoir reçus des instructions exhaustives.

*Achtung - die mit dem Symbol **GEFAHR!** gekennzeichneten Hinweise weisen auf potentielle Gefahrensituationen hin. Alle sicherheitsrelevanten Hinweise in diesem Handbuch sind sehr wichtig und müssen unbedingt befolgt werden. Bewahren Sie dieses Handbuch stets griffbereit auf, lesen Sie es aufmerksam durch, und lernen Sie, die Maschine und die gesamte Ausrüstung sicher zu benutzen. Die Maschine darf nur von Personen benutzt werden, die vorher entsprechend unterwiesen wurden.*

Preste atención al símbolo **¡PELIGRO!** Indica la presencia de situaciones importantes de peligro. Todas las normas de prevención de accidentes detalladas son importantes y deben respetarse estrictamente. Conserve este manual al alcance de la mano, léalo atentamente y aprenda a utilizar el equipamiento de modo seguro. No permita que otras personas operen con este equipamiento sin haber recibido instrucciones exhaustivas.



Take special care not to touch hot parts of the engine.

Prestate particolare attenzione a non entrare in contatto con parti surriscaldade del motore.

Veiller tout particulièrement à ne pas toucher des éléments surchauffés du moteur.

Achtung – keine heißen Motorteile berühren!

No tocar partes recalentadas del motor.

Tome muito cuidado para não entrar em contacto com as partes aquecidas do motor.



Engine exhaust fumes can cause sickness or death. If it is necessary to run an engine in an enclosed area, use an exhaust pipe extension to remove the fumes. Always try to work in a well ventilated area.

I gas di scarico possono causare malanni o morte. Se è necessario mettere in moto un motore in uno spazio chiuso, usare una prolunga tubo di scarico per far uscire il fumo. Lavorare in una zona ben ventilata.

L'exhalation des gaz d'échappement peut être cause d'intoxication ou de mort. S'il est vraiment nécessaire d'allumer le moteur à l'intérieur, appliquer au tuyau d'échappement un autre tuyau extensible pour permettre la sortie des gaz. Il est toujours mieux de travailler en plein air.

Auspuffgase können Übelkeit oder Tod verursachen. Wenn es notwendig ist, einen Motor in einem geschlossenen Raum laufen zu lassen, benutzen Sie eine Verlängerung, um das Auspuffgas abzuleiten. Versuchen Sie immer in einem gut belüfteten Raum zu arbeiten.

Los gases de escape pueden provocar enfermedades o muerte. De tener que poner en marcha un motor en un espacio cerrado, usar una prolongación del tubo de escape para que salga el humo. Trabajar en una zona bien ventilada.

Os gases de escape podem causar danos ou morte. Caso seja necessário fazer com que o motor funcione num espaço fechado, utilize uma extensão para o tubo de escape que os fumos sejam expulso para o exterior. Trabalhe numa área bem ventilada.



Caution! Never touch moving pulleys or belts. They can be very dangerous. Never do maintenance with engine running.

Attenzione! Non toccare mai pulegge o cinghie in movimento, creano gravi danni alla persona. Non fare manutenzione col motore in moto.

Attention! Ne jamais toucher ni poulies ni courroies en mouvement, elles peuvent provoquer des accidents aux personnes. Ne pas faire l'entretien quand le moteur est en marche.

Vorsicht! Nie laufende Riemenscheiben oder Treibriemen anfassen, da es gefährlich ist. Nie bei laufendem Motor Instandhaltung machen.

¡Atención! No tocar jamás poleas o correas en movimiento, porque pueden crear graves daños a la persona. No efectuar el mantenimiento con el motor en marcha.

Atenção! Nunca toque nas polias ou correias em movimento devido ao alto risco de ferimentos. Nunca faça a manutenção da máquina com o motor ligado.



A burst which separates the tyre from the rim parts can cause serious injury or death.

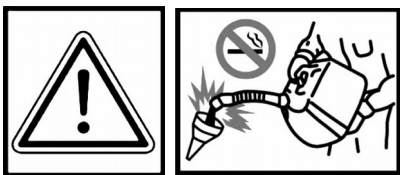
La separazione fra pneumatico e cerchione, causata dall'esplosione del pneumatico, può provocare serie ferite o addirittura la morte.

La séparation entre le pneu et la jante, provoquée par l'explosion d'une roue peut causer des dommages, blessures ou la mort.

Die Trennung der Räder von den Felgen durch Explosion kann schwere Verletzungen oder den Tod verursachen.

La separación entre el neumático y la llanta producida por la explosión del neumático puede provocar graves herida e incluso la muerte.

A separação entre o pneumático e o aro, provocada pela explosão do pneumático, pode causar graves ferimentos ou até mesmo a morte.



Handle fuel with care, it is highly flammable: Do not refuel machine while smoking, when machine is near an open flame or sparks, or when the engine is running. Stop the engine.

Maneggiare il carburante con cura, è altamente infiammabile; non fate rifornimento mentre fumate, o vicino a fiamme o scintille, o quando il motore è acceso.

Manier avec soin le carburant car c'est très inflammable. Ne pas remplir le réservoir si vous êtes en train de fumer ou pendant que la machine est près du feu ou d'étincelles ou encore pendant que la machine travaille. Arrêter le moteur.

Treibstoff vorsichtig handhaben, da er sehr entzündbar ist: beim Tanken nicht rauchen. Nicht tanken, wenn die Maschine in der Nähe von Flammen oder Funken ist oder wenn der Motor läuft. Immer den Motor abschalten.

Manejar el combustible con cuidado porque es sumamente inflamable; no repostar mientras se fuma o cerca de llamas o chispas, o cuando el motor está encendido.

Manuseie o carburante com cuidado, pois este é altamente inflamável; não fume durante o abastecimento da máquina ou enquanto o motor estiver ligado, não o aproximado de chama ou de faíscas.



Rotating blades are dangerous. Protect children and prevent accidents.

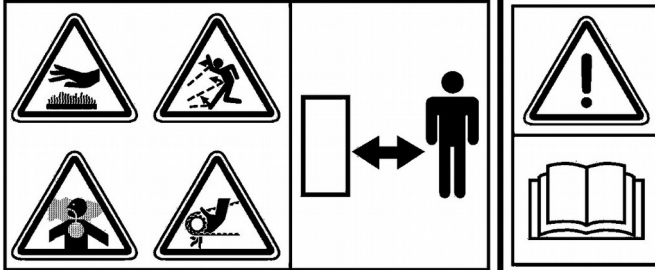
Le lame in movimento sono pericolose. Protegete i bambini e prevenite gli incidenti.

Les lames en rotation sont dangereuses. Protéger les enfants et prévenir les accidents.

Arbeitende Messer sind gefährlich, Kinder schützen und Unfälle vorbeugen.

Las cuchillas en movimiento son peligrosas, proteger a los niños y prevenir los accidentes.

As facas em movimento são perigosas. Proteger as crianças e prevenir acidentes.



DANGER! READ THE INSTRUCTION MANUAL. KEEP SAFETY DISTANCES.

PERICOLO! LEGGERE IL MANUALE D'ISTRUZIONE. TENERE LONTANO LE PERSONE.

DANGER! LIRE LE MANUEL D'INSTRUCTIONS. RESPECTER LES DISTANCES DE SÉCURITÉ

GEFAHR! DIE GEBRAUCHS ANLEITUNG DURCHLESEN. NICHT IN DER NÄHE VON ANDEREN PERSONEN MÄHEN.

PELIGRO! LEER LAS INSTRUCCIONES. MANTENER ALEJADAS LAS PERSONAS.

PERIGO! LER O MANUAL DE INSTRUÇÕES. MANTER AS PESSOAS AFASTADAS.



Before using the machine, it is mandatory to put on the appropriate individual safety devices: body protection, protection gloves, security shoes, ear protection.

Prima di utilizzare la macchina, è obbligatorio indossare gli appositi dispositivi di sicurezza individuali: protezione del corpo, guanti di protezione, calzature di sicurezza, protezione dell'udito.

Avant d'utiliser la machine, il est obligatoire de mettre les dispositifs individuels de sécurité appropriés: protection du corps, gants de protection, chaussures de sécurité, protection de l'ouïe.

Vor dem Gebrauch der Maschine ist es vorgeschrieben, die geeignete persönlichen Schutzkleidung anzuziehen: Körperschutz, Schutzhandschuhe, Sicherheitsschuhe, Gehörschutz.

Antes de utilizar la máquina es obligatorio ponerse los dispositivos individuales de seguridad apropiados: protección del cuerpo, guantes de protección, calzado de seguridad, protección del oído.

-FORWARD LEVER AND ENGAGING BLADE LEVER
 -LEVA AVANZAMENTO E INNESTO LAMA
 -LEVER D'AVANCEMENT ET ENCHLENCHEMENT LAME UND MESSERHEBEL
 -PALANCA DE AVANCE Y EMBRAGUE CUCHILLA



VELOCE FAST RAPIDE SCHNELL RAPIDA
 LENTA SLOW LENTE LANGSAM LENTA
 VELOCE FAST RAPIDE SCHNELL RAPIDA

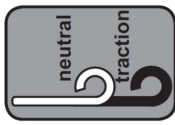
-DIFFERENTIAL LOCK
 -BLOCC. DIFFERENZIALE
 -BLOC. DIFFERENTIEL
 -BLOQUEO DIFERENCIAL



NOISE LEVEL
 LIVELLO SONORO
 NIVEAU SONORE
 LAUTSTÄRKE
 NIVEL DE RUIDO

LWA **87 dB**

-TRACTION RELEASE LEVER
 -LEVA SBLOCCO TRAZIONE
 -LEVIER DEBLOCAGE TRACTION
 -HEBEL ZUM AUSKÜPPELN DES ANTRIEBS
 -PALANCA DESBLOQAO TRACTION



DANGER

Min. 15 mt.

CL75

150
 125
 100
 75
 50

CUTTING HEIGHT
 ALTEZZA DI TAGLIO
 HAUTEUR DE COUPE
 SCHNITTHÖHE
 ALTURA DE CORTE

GREASE

-LUBRICATION POINTS
 -PUNTI DI LUBRIFICAZIONE
 -POINTS DE GRAISSAGE
 -SCHMIERUNGSPUNKTE
 -PUNTOS DE LUBRICACION CON GRASA



HYDROSTATIC GRASS-CUTTER GRILLO CL75

Dear Customer,

Thank you for choosing the Grillo CL75. We hope that this new mower will fully satisfy your requirements. For efficient use and maintenance carefully read and follow the instructions given in this manual. This will enable you to get the best results from your mower and will prevent any avoidable expense. Please look after this manual which should always be kept with the machine.

GENERAL DESCRIPTION AND INTENDED USE

The Grillo CL75 is a walk-behind grass-cutter designed to work on flat terrain as well as on slopes.



**WARNING! Before starting the engine, read this manual carefully.
The following warnings are very important in ensuring safety!**

WARNINGS

Caution is the best way to prevent accidents.

You are urged to read the following instructions for the use of this mower before starting work. An incorrect use of the mower and its equipment may cause damage. To reduce this risk, follow the precautions given below:

- 1) Please read the whole manual carefully before operating your machine.
- 2) Pay particular attention to the warnings and safety labels placed on the mower.
- 3) Before allowing others to use the mower, inform them of the safety rules and carefully instruct them on the use of this mower.
- 4) Before starting work, put on suitable work clothing, gloves, strong shoes and protective glasses.
- 5) Wear special acoustic protection (ear-defenders) whilst using the mower.
- 6) Before starting the mower, make sure there are no people around it; especially children.
- 7) Before using the mower in reverse, make sure there are no people or obstacles in the way.
- 8) Check the ground before mowing. Make sure that there are no stones, sticks, or other objects, which could be run over and become a danger when projected.
- 9) If any impact with a foreign object occurs, disengage the blade, turn off the engine, disconnect the spark plug and examine the mower. If the machine vibrates abnormally, bring it to the nearest authorised service centre.
- 10) When using the mower, keep people **at a minimum distance of 15 metres away**.
- 11) Always drive slowly along uneven paths.
- 12) Keep to a slow speed when driving down slopes.
- 13) Always turn slowly when driving down slopes.
- 14) The user is always responsible for any damage caused to third parties.
- 15) Deformed or damaged blades must always be replaced and never repaired.
- 16) Always use original GRILLO spare parts and accessories.
- 17) Only work in daylight or under effective artificial lighting.
- 18) Only store fuel in suitable containers designed for the purpose.
- 19) Be very careful when working close to a road.
- 20) Allow the engine to cool before putting the mower away in a closed environment.
- 21) Do not operate the mower when tired or after drinking alcohol.
- 22) Do not allow any fuel spillage and after filling the tank wipe away any spilt fuel before starting the engine.
- 23) Do not tamper with the safety devices or disable them.
- 24) Do not change the engine settings, especially the maximum number of revs.
- 25) Use the machine with its appropriate front and rear stone protections.
- 26) Never attempt any adjustments or cleaning with the engine running. Remove the spark plug when carrying out maintenance on the mower.
- 27) Never allow anyone to check the mower while you are at the controls with the engine running.

28) **The rotation of the rotary cutter blade is highly dangerous; never put hands or feet under the mower deck.**

IMPROPER USE TO BE AVOIDED

29) Do not allow youngsters to use the machine. People under 16 years old are not allowed to use this machine.

30) Do not operate the mower close to ditches or verges which could collapse under the weight of the machine, especially when the surface is wet.

FURTHER SAFETY ADVICE

The above mentioned warnings could not be enough to avoid all risk if the operator does not use the mower correctly. Therefore, for your safety we give you the following advice:

31) Do not drive in reverse at high speed.

32) It is dangerous to operate the steering wheels abruptly with the engine at full power.

33) Only refuel outdoors, always turn the engine off, keep away from sparks or naked flames. Do not smoke! Always replace the cap on the fuel tank and those on fuel containers properly.

34) If the fuel tank has to be emptied, only do so outdoors.

35) Do not operate the mower over gravel which could be sucked up and drawn into the blade, becoming therefore highly dangerous.

36) **CAUTION:** to avoid the risk of fire, keep the engine compartment, exhaust, discharge outlets, battery, tank area and fuel pipe free from grass, leaves, dirt etc.

37) Do not store the mower inside any building where the engine fumes can reach naked flames, sparks or bare electrical wires.

The mower must always be used according to the warnings and instructions given in this manual. The manufacturer disclaims all responsibilities should the user fail to follow the instructions set out in this manual.

Always remember to put on gloves and eye protection to prevent injuries when replacing or sharpening the blade.

Regularly check the rear stone protection to safeguard the user's body from the cut material that could be projected by the mower deck.

Regularly check the blades fixing bolts. Replace them if they show signs of wear.

Before using the mower, always make sure that the blade, its bolts and cutting edges are not worn or damaged. Replace them if necessary.

Risks connected to the ground:

a) on severe slopes.

b) when driving uphill, the user's risk of falling could make the machine go back creating therefore dangerous situations.

c) when on the ground there could be several natural or artificial objects: stones, tree stumps or trunks, bottles, steel pieces, fence posts and other foreign bodies. These objects could turn into highly-dangerous flying debris and affect the function of the mower deck. Therefore the user must avoid hitting them.

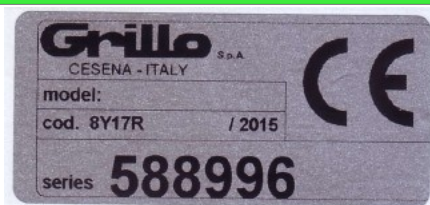
Before leaving the mower switch off the engine.

No one must use the mower without being given instructions and shown its safe use.

Pay particular attention on slopes when the grass is wet.

When transferring the machine on other vehicles always switch the engine off.

IDENTIFICATION AND SERVICING



IDENTIFICATION

The Grillo CL75 has a label located at the engine base and indicating the machine's serial number.

TECHNICAL ASSISTANCE

This manual gives instructions for the use and basic maintenance of the mower by the user. For operations that are not described in this manual, contact your Service Centre.

SPARE PARTS

Only use original spare parts. These are the only parts that ensure safety and interchangeability. Always quote the machine's serial number and the code number of the part to be replaced when ordering spare parts. For engine parts, follow the indications given in the specific manual.

GUARANTEE

The guarantee is given in compliance with the current law. The dealer will have to give the client a copy of the registration card of the machine, which they will print up from the Grillo website. For the engine the guarantee of the relative manufacturers apply.

RECOMMENDED LIST OF SPARE PARTS TO BE KEPT IN STORE

- 2 x mowing blades
- 2 x blade screws
- 2 x blade screw nuts

TECHNICAL SPECIFICATIONS

ENGINE: - HONDA **GXV340** OHV, 337 cc, 6,6 Kw, 8,9 HP(@ 3600 r.p.m.) one-cylinder 4-stroke, petrol engine with oil pump.

STARTER: with recoil starter.

GEARBOX: hydrostatic transmission.

SPEED: from 0 to max. 6 km/h with continuous variation and reverse from 0 to max. 3,5 km/h.

HOURLY MOWING CAPACITY: 2500 m²/h.

CUTTING HEIGHT: from 50 mm to 150 mm with quick adjustment via lever.

CUTTING WIDTH: 780 mm.

DRIVING TYRES: *Tractor type* 4.00-8, 4 ply.

DIFFERENTIAL: hand-operated differential lock.

FRONT TYRE: solid anti-puncture wheel 8×3.00/4.

CUTTING DECK: with rear discharge with opening front aperture.

PERIPHERAL BLADE SPEED: 74 m/sec.

CUTTING SYSTEM: single rotating blade with two anti-shock floating cutter tips.

HANDLEBAR: with vertical and side quick adjustment through the handlebar.

DIMENSIONS: Length – 2150 mm, Width – 845 mm, Height – 1050 mm.

WEIGHT: 140 kg.

PUTTING THE MACHINE INTO SERVICE

- 1) Check that the machine has not been damaged during transport.
- 2) Check the oil levels of the engine and hydrostatic transmission.
- 3) Check the tyre pressure: 1,5 BAR.
- 4) Turn the handlebar.
- 5) Install the front wheel support (fig.5).
- 6) Tighten the clamping and regulating screws of the front-wheel support firmly. The bearing inside the support must block.

RUNNING IN – CAUTION!!

Change the engine oil after the first 20 working hours. Check that there are no oil leaks or slack screws, especially those which fix the blade. After a couple of working hours adjust the tension of the belt running from the engine to the cutting deck as well as the blade brake tension(fig. 6 – fig. 7)

INSTRUCTIONS FOR USE

BEFORE STARTING THE ENGINE

Before starting the engine, always check that:

- the engine oil level is correct (fig. 8, ref. A) – (see the appropriate manual).
- the air fins for the engine cooling system are clean (fig. 10).
- the air filter is thoroughly clean (fig. 1, no. 13) – (see the appropriate manual).
- the mowing deck is clean.
- the fins on the hydraulic motor are thoroughly clean (fig. 14).
- the blades are well sharpened and secured to the blade holder.

Fill the fuel tank with fresh fuel using a funnel. (fig. 1, no.12).

STARTING THE ENGINE

- Push the throttle half way in (fig.1, no. 4).
- If the engine is cold, use the choke and pull the throttle lever to its mechanical end.
- Turn on the engine by strongly pulling the recoil starter (fig. 1, no. 11).
- Once the engine has started, turn off the choke device and wait a few minutes to allow the engine to warm up.

STARTING WORK

- Choose the desired cutting height using the lever (fig. 1, n°10). Suitably accelerate the engine, press both levers (fig. 1, no. 1) and engage the PTO lever (fig. 1, n. 2 – in the picture the PTO is not engaged). Gently operate the forward lever (fig. 1, n. 3) and start working. To stop the machine, release both levers on the handlebar (fig. 1, n. 1). The rotation of the blade disengages automatically.
- The lever (fig. 1, no. 3) is used to select the working speed and to engage the reverse gear. Pushing the lever forward, the mower moves forward; pulling the lever backwards, the machine moves in reverse – remember to always pull the lever gently. When both levers on the handlebar are released (fig. 1, no. 1) the lever in reverse gear (fig. 1, no. 3) goes automatically back to the STOP position.
- a knob is located on the forward/reverse gear lever (fig. 1, no. 3) there is a knob (fig. 1, no. 9) that is used to make the lever softer or harder. The machine is equipped with a device that automatically disengages the reverse gear. Always keep this device fully operative.

PARKING BRAKE

To stop the mower correctly, the user must engage the brake lever. When the lever is in the position shown (fig. 12, ref. A) the brake is not engaged. Remember to always engage the parking brake, especially when leaving the machine at standstill on slopes.

DIFFERENTIAL LOCK

The user engages the differential lock using the lever (fig. 2, ref. D). The differential lock remains engaged using the block lever (fig. 2, ref. B). Use the differential lock when drive wheels slip. To ensure the wheels' adherence it is recommended to engage the differential lock on slopes, when using the machine downhill, on strong slopes and when mowing cross-wise. It is very useful to engage the differential lock when mowing cross-wise on slopes because in this way the machine will evenly move forward and the front wheel will not slip. The front wheel can be also blocked into straightforward position using the appropriate device (fig. 1, no. 18). Caution: do not engage the differential lock on curves. Keep the differential lock engaging device and the chains well lubricated with grease. To carry out this procedure, remove the cowling by loosening the two upper screws (fig 12, ref. D).

HOW TO ADJUST THE MACHINE

To adjust the belt tension on the transmission of the blade, adjust the screw (fig. 7, ref. C) and keep the compensation spring at 2 mm. The blade brake is made up of friction material (fig. 7, ref. B). When working, the pulley detachment should be minimal and should take place only in the final phase of the movement of the P.T.O guide pulley, that can be adjusted using the screw (fig. 6, ref. A).

USEFUL TIPS FOR EFFICIENT USE

- 1) Never strain the engine: when fumes are emitted from the exhaust it means that it is being strained. Slow down.
- 2) Do not leave the machine out in the rain.
- 3) Frequently sharpen the mower blades: the cut will be better and the engine will not strain too much.
- 4) Keep the engine at the maximum r.p.m. during mowing and adjust the speed according to the grass height.
- 5) **Keep the grids above the engine and the cooling fins of the hydraulic motor (fig. 10 – 14) clean.**

CUTTING POSITIONS

To adjust the cutting position use the crank handle (fig. 12, ref. B). The deck can be set in several different cutting positions going from 50 mm to 150 mm. In case of uneven ground, humps or dips, the deck should be kept in the highest cutting position to prevent the blade from hitting the ground. Block the crank handle into position using the appropriate lock device (fig. 12, ref. C).

MAINTENANCE AND LUBRICATION

CAUTION!

- **Disconnect the plug before performing any cleaning, maintenance or repair operation. Always wear suitable clothing and working gloves.**
- **When the machine or part of it is lifted to carry out maintenance operations, always remember to use suitable fixing tools such as holders and safety locks.**
- **When carrying out maintenance operations and/or when the machine is tilted without safety locks or supports, never leave it unguarded in places where inexperienced people and children could have easy access to it.**
- **Protect the environment: carefully dispose of used oils, petrol and any other pollutant product!**
- **Effective maintenance and correct lubrication help to keep the machine fully efficient.**

CAUTION!

To operate on the hydrostatic transmission remove the cowling by loosening the two upper M8 screws (fig. 12, ref. D).

ENGINE

For the lubrication intervals, follow the instructions provided in the engine handbook. Oil must be changed after the first 20 working hours. The first precaution is to ensure that the engine is correctly serviced with the air filter, cooling fins, a clean cylinder head and the oil at the correct level.

CHECK THE AIR FILTER EVERY 4 HOURS, AND EVEN MORE SO IN VERY DUSTY ENVIRONMENTS (FIG. 1, NO. 13). CHECK THE ENGINE COOLING SYSTEM INTAKE GRID (FIG. 10). HYDROSTATIC AXLE

Check the expansion tank when the engine is cold: the tank must be empty (fig. 9, ref. A). Clean the hydraulic motor cooling fins every 4 working hours. Clean them even more so during summer and/or in very dusty environments (fig. 14). Replace the oil after the first 50 working hours, then every 200 hours, use 10W60 engine oil – quantity: 1.85 lt. To replace the oil carry out the following operations:

- 1) remove the two taps (fig. 15);
- 2) remove the tap (fig. 17, ref. A) using a screwdriver;
- 3) screw the two caps (fig. 15) - (tightening torque 13-17 Nm).
- 4) add oil then replace the cap (fig. 17, ref. A);
- 5) make sure the expansion tank is empty. The correct oil level is 12 mm underneath the bottom of the expansion tank (fig. 9, ref. A).

LUBRICATION POINTS WITH GREASE

Lubricate the following elements with grease every 50 hours: the front wheel pin (fig. 5, ref. A) and the belt tightener (fig. 8, ref. B). Lubricate all the handlebar's joints, the cables, the chains and the differential lock engaging device.

CHECKING THE BLADES AND CUTTING DECK

A blunt blade rips the grass, leaving it unattractive. Therefore both blade cutting edges must be always well-sharpened. Sharpen both cutting edges using a medium-grain grinding wheel. If the machine vibrates abnormally check that the blade is balanced by placing it on a round bar inserted in the central hole. To remove a blade, hold of it firmly, always wearing work gloves, and unscrew the central screw. Caution: it is the screw on the right (fig. 13). To install the two blades follow the scheme (fig. 13).

CAUTION!

Tighten the fixing screw firmly (fig. 13, ref. A). Always replace damaged or bent blades; never attempt to repair them! To install the blades follow the scheme (fig. 13, ref. B). **ALWAYS USE ORIGINAL BLADES!** Always check that the blade bolts are not worn out or damaged.

BLADE – ENGINE BELT

To adjust the belt tension operate on the register (fig. 7, ref. C) that is placed near the pulley on the blade axle. During work, the spring should stretch up to 2 mm (fig. 7, ref. A). If the belt becomes twisted or comes off, check pulley alignment. **Take care** when positioning the belt guides: move them towards the belt. Guides must never touch belt (fig. 19).

HYDROSTATIC AXLE – ENGINE BELTS

Check the spring tension. To replace the belts, release the tension spring (fig. 16. ref. A).

BLADE ROTATION

To engage and disengage the blade, use the lever (fig. 1, no. 2). When releasing the levers the blade will stop (fig. 1, no. 1). When engaging the blade, the engine must already be running at medium r.p.m and the machine must not be in the grass for cutting. Disengage the blade by releasing the lever (fig. 2, ref. A). The blade must stop within 5 seconds; if this is not the case, adjust the brake using the load spring (fig. 6, ref. A) and replace the brake unit if necessary (fig. 7, ref. B).

Important: This operation must be carried out by an authorized Service Centre.

CHANGING THE BELTS

The movement is transmitted from the engine to the hydraulic transmission and to the blades by means of two V-belts. Replace the belts if they show any sign of wear! Their replacement and subsequent adjustment are fairly complex procedures and must be carried out by an authorized Service Centre. To replace the belt going from the engine to the cutting deck, remove the belt guide on the engine pulley (fig. 19). **Note: the spring must be fixed to the ring again (fig. 7, ref. A).**

ALWAYS USE GENUINE BLADES!

TRACTION RELEASE LEVER

The traction release device is located at the back of the machine under the rear frame (fig. 1, no. 16); if the machine breaks down, to allow it to be towed or moved by hand, move the lever to idle position. In the internal position the machine is in neutral position.

MAINTENANCE SUMMARY TABLE						
PROCEDURE		AT EACH USE	AFTER 20 HOURS	EVERY 50 HOURS	EVERY 100 HOURS	EVERY 200 HOURS
Engine oil	check the level	•				
	change		•		•	
Air filter	check	•				
	replace					*
Spark plug	check/adjust				•	
	replace					•
P.T.O belt	check tension		•		•	
	replace					*
Check that: -engine intake grid is clean -hydraulic engine cooling fins are clean		•				
Hydrostatic transmission oil	check the level			•		
	replace			• (first time only)		•
Check that blades are well-sharpened and well-fixed			•	•		
Lubricate with grease			•	•		

• recommended procedure

* **procedure to be carried out if necessary**

TROUBLE-SHOOTING

PROBLEM

CAUSE	PROBLEM	REMEDY
	Difficult starting or irregular running of engine	
<ul style="list-style-type: none"> – Carburation problems – Deposits or dirty residues in fuel – ignition system does not work properly 		<ul style="list-style-type: none"> – Clean or change the air filter – Adjust the carburettor (follow engine manual instructions) – Empty the tank and use fresh petrol – Check and change the petrol filter if necessary – Check that the vent hole on the fuel tap is not clogged – check the fixing of the spark plug hood – check that the electrodes are clean and that they are at proper distance from each other.
	Drop in engine performance during cutting	
<ul style="list-style-type: none"> – Speed too high for cutting height 		<ul style="list-style-type: none"> – Reduce speed – Raise cutting height
	Uneven cutting	
<ul style="list-style-type: none"> – Cutting deck not parallel to ground – Blades fault 		<ul style="list-style-type: none"> – Check tyre pressure – Check that the blades are correctly mounted – Sharpen or change the blades – Check the tension of the deck engine belt
	Vibrations during work	
<ul style="list-style-type: none"> – Blades unbalanced – Fastenings are loose 		<ul style="list-style-type: none"> – Balance blades or replace them if damaged – Check and fasten the blade fixing screws as well as the fixing screws of the engine and chassis.

THE MACHINE DOES NOT REMAIN IN NEUTRAL

Adjust the device (fig. 20, ref. A) by loosening the counter-nut and acting on the central screw.

HOW TO QUIT WORKING

Release the lever to disengage the blade after mowing (fig. 1, no. 2) and move the machine with the mower deck at the highest cutting position using the lever (fig. 1, no. 1). Release the forward levers to stop the machine (fig. 1, no. 1). Put the throttle lever in the STOP position (fig. 4, ref. C) to switch off the engine.

STORAGE AND PROLONGED PERIODS OF INACTIVITY

Store the mower in a dry place, away from atmospheric agents, and preferably cover it with a sheet. Follow the instructions included in the engine manual. If the machine is to be out of use for more than 30 days, drain the fuel from the engine to prevent sticky deposits from occurring in the fuel intake system or in vital parts of carburettor. To avoid this procedure, it is possible to save fuel in storage up to 12 months by using an appropriate fuel stabilizer. Add this additive to the fuel in the tank or in the fuel container. Run the engine for a while to let the stabilizer get into the fuel system. **Caution:** if the engine is fed with petrol containing alcohol, drain the fuel tank and run the engine until there is no fuel left.

TRANSPORTING THE MACHINE

If the machine has to be transported on a lorry or a trailer, lower the mower deck, engage the parking brake (fig. 1, no. 17) and fasten the machine to the vehicle using ropes or cables. The machine is provided with three fixing points: one is placed on the front wheel support, while the other two are located on the frame in the rear part of the machine (fig. 1, no. 19).

TRINCIAERBA IDROSTATICO

GRILLO CL75

Gentile Cliente,

nel ringraziarla per la fiducia e la preferenza accordata al nostro Grillo CL75, confidiamo che l'uso di questa sua nuova macchina risponda pienamente alle sue esigenze.

Per l'impiego ottimale e per la sua manutenzione nel tempo, la preghiamo di leggere attentamente e seguire scrupolosamente le indicazioni di questo libretto; ciò le consentirà di ottenere i massimi risultati e salvaguardare la sua spesa.

La preghiamo di conservare questo libretto, che dovrà sempre accompagnare la macchina.

DESCRIZIONE GENERALE E USO PREVISTO

La macchina Grillo CL75 è un trinciaerba progettato per il taglio dell'erba, anche su superfici in pendenza.



**ATTENZIONE! Leggere attentamente prima di avviare il motore.
Le seguenti avvertenze sono importanti per l'incolumità dell'operatore!**

AVVERTENZE

La prudenza è l'arma principale nella prevenzione degli incidenti!

La preghiamo vivamente di leggere con attenzione le seguenti avvertenze nell'uso del trinciaerba, prima ancora di iniziare il lavoro.

L'uso improprio del trinciaerba può risultare pericoloso; per ridurre questa possibilità osservare le precauzioni necessarie di seguito riportate:

- 1) Leggere questo manuale interamente, prima di accendere e mettere in movimento il trinciaerba.
- 2) Dare particolare attenzione alle ammonizioni e alle etichette di sicurezza poste sul trinciaerba.
- 3) Prima di fare lavorare con la macchina altre persone bisogna metterle al corrente delle norme di sicurezza e di come si usa.
- 4) Prima d'iniziare il lavoro, indossare indumenti appropriati da lavoro, guanti, scarponi, occhiali.
- 5) Durante il lavoro indossare adeguati mezzi di protezione acustica (cuffie).
- 6) Prima di accendere la macchina, verificare che non ci siano persone intorno; specialmente bambini.
- 7) Prima di partire con la macchina in marcia indietro, controllare che non ci siano persone od ostacoli.
- 8) Controllare il terreno prima di procedere alla rasatura: assicurarsi che non vi siano sassi, bastoni o corpi estranei che potrebbero essere scagliati lontano e quindi molto pericolosi.
- 9) Se si urta un corpo estraneo, disinnestare la lama, fermare il motore, scollegare la candela, e ispezionare il trinciaerba; nel caso si avvertissero vibrazioni anomale, portare la macchina al più vicino Centro di assistenza Autorizzato.
- 10) Durante il lavoro mantenere le persone ad una **distanza minima di 15 metri**.
- 11) Sui viali sconnessi viaggiare a bassa velocità.
- 12) Sulle pendenze moderare la velocità
- 13) In discesa curvare sempre lentamente.
- 14) L'utilizzatore è sempre responsabile dei danni arrecati a terzi.
- 15) I coltelli deformati o danneggiati devono essere sempre sostituiti, mai riparati.
- 16) Usare sempre ricambi ed accessori originali GRILLO.
- 17) Lavorare solo con la luce del sole o con buona luce artificiale.
- 18) Immagazzinare il carburante in contenitori specificatamente costruiti per questo scopo.
- 19) Fare attenzione quando si lavora vicino ad una strada.
- 20) Far raffreddare il motore prima di mettere la macchina in locali chiusi.
- 21) Non usare la macchina quando si è affaticati e non bere alcolici.
- 22) Evitare fuoriuscite di combustibile e dopo aver riempito il serbatoio pulire ogni fuoriuscita sulla macchina prima di avviare il motore.
- 23) Non manomettere o disattivare i dispositivi di sicurezza.
- 24) Non cambiare le regolazioni del motore, in modo particolare il numero di giri max.
- 25) Non utilizzare la macchina senza le protezioni parasassi anteriore e posteriore.

- 26) Non fare nessun tipo di regolazione o pulizia col motore in moto. Scollegare anche la candela.
- 27) Non fare controllare la macchina da nessuno mentre siete alla guida col motore in moto.
- 28) **La rotazione della lama del trinciaerba è altamente pericolosa, non mettere mai le mani o i piedi sotto al piatto rasaerba.**

USI IMPROPRI DA EVITARE

- 29) Non fare lavorare ragazzi troppo giovani; vietato l'uso ai minori di 16 anni.
- 30) Non operare col trinciaerba vicino a fossati o banchine che si possono rompere sotto il peso della macchina, specialmente quando la superficie è bagnata.

ULTERIORI ACCORGIMENTI PER LA SICUREZZA

Le avvertenze sopra riportate potrebbero non essere sufficienti ad evitare ogni rischio, nel caso in cui l'operatore non si attenesse all'uso appropriato della presente macchina trinciaerba. Pertanto, per maggiore prudenza specifichiamo quanto segue.

- 31) Non fare retromarcia col motore accelerato.
- 32) E' pericoloso azionare le leve di guida bruscamente, col motore a massimo regime.
- 33) Fare rifornimento di combustibile solo all'aperto, spegnere sempre il motore, stare lontano da scintille o fiamme, non fumare! Riposizionare in modo sicuro il tappo del serbatoio e dei contenitori di carburante.
- 34) Qualora si dovesse svuotare il serbatoio carburante, eseguire l'operazione all'aperto.
- 35) Non lavorare col trinciaerba sopra alla ghiaia perché verrebbe aspirata e centrifugata dalla lama, risultando molto pericolosa.
- 36) **ATTENZIONE:** per ridurre il pericolo d'incendio mantenere il vano motore, la marmitta, i collettori di scarico, la zona serbatoio e conduttura carburante liberi da erba, foglie, polvere ecc.
- 37) Non immagazzinare la macchina all'interno di un edificio dove i vapori del carburante possono arrivare a fiamme, scintille o fili elettrici scoperti.

Questa macchina va sempre utilizzata conformemente alle raccomandazioni indicate in questo manuale. Il mancato rispetto di queste consegne solleva il costruttore da qualsiasi responsabilità.

Per la sostituzione e affilatura delle lame, utilizzare i guanti e gli occhiali per evitare i rischi di ferite. Verificare frequentemente lo stato della protezione parasassi posteriore al fine di evitare che il materiale tagliato colpisca l'operatore. Verificare lo stato di usura dei bulloni di fissaggio delle lamette di taglio. Se necessario sostituirli. Prima di iniziare il lavoro, assicurarsi sempre che la lama, i suoi bulloni e tutte le parti taglienti non siano logori o danneggiati. Se necessario sostituirli.

Rischi dovuti al terreno:

1. **Quando il terreno è molto inclinato;**
2. **In salita il rischio di caduta dell'operatore potrebbe provocare l'indietreggiare della macchina e creare una situazione di pericolo.**
3. **Quando il terreno è ingombro di oggetti naturali o riportati: rocce, pietre mobili, ceppi d'albero, bottiglie, pezzi di ferro, paletti e qualsiasi corpo estraneo di qualunque natura; questi ostacoli possono trasformarsi in pericolosi proiettili e sollecitare l'organo di taglio in modo imprevedibile: devono essere evitati.**

Prima di lasciare il posto di guida, spegnere il motore.

Non lasciare utilizzare il trinciaerba da chi ne ignora le istruzioni.

Su pendii in cui l'erba è bagnata prestare la massima attenzione.

Per il trasporto con mezzi diversi dalla propria propulsione, il motore va spento.

IDENTIFICAZIONE E ASSISTENZA



IDENTIFICAZIONE

Il Grillo CL75 è fornito di una targhetta, posta sulla base del motore.

SERVIZIO ASSISTENZA

Questo manuale fornisce le indicazioni per l'uso del trinciaerba e per una corretta manutenzione di base, eseguibile dall'utilizzatore. Per gli interventi non descritti in questo libretto, interpellare il Rivenditore di Zona.

RICAMBI

Si raccomanda di impiegare esclusivamente ricambi originali, gli unici che offrono caratteristiche di sicurezza e intercambiabilità. Ogni richiesta deve essere corredata del numero di matricola della macchina e il numero di codice del pezzo da sostituire. Per i ricambi del motore, attenersi a quanto indicato nel libretto specifico.

GARANZIA

La garanzia è fornita nei modi e nei limiti indicati dalla legge vigente. Il rivenditore dovrà obbligatoriamente consegnare il certificato di garanzia della macchina al cliente finale, stampando una copia della registrazione dal sito Grillo. Per quanto riguarda il motore, valgono le condizioni previste dai rispettivi Produttori.

RICAMBI CHE SI CONSIGLIANO DI TENERE DI SCORTA

- N. 2 lamette
- N. 2 viti lame
- N. 2 dadi viti lame

CARATTERISTICHE TECNICHE

MOTORE: - HONDA **GXV 340** OHV, 337 cc 8,9 HP, 6,6 Kw (a 3600 giri/min.), monocilindrico a 4 tempi, benzina con pompa a olio.

AVVIAMENTO: a strappo con autoavvolgente

TRASMISSIONE: idrostatica.

VELOCITA': variabile in continuo avanti max. 6 km/h, indietro max. 3,5 km/h.

CAPACITA' ORARIA: 2500 m²/h.

ALTEZZA DI TAGLIO: 50-150 progressiva con regolazione rapida da manovella.

LARGHEZZA DI TAGLIO: 780 mm.

RUOTE MOTRICI: con pneumatici artigliati 4.00-8 a 4 tele.

BLOCCAGGIO DIFFERENZIALE: ad innesto manuale.

RUOTA ANTERIORE: piena e antiforatura

PIATTO DI TAGLIO: a scarico posteriore, con apertura anteriore basculante.

VELOCITA' PERIFERICA LAMA: 74 m/sec.

SISTEMA DI TAGLIO: rotativo a una lama, con 2 coltelli flottanti antiurto.

STEGOLA: con regolazione rapida in verticale e laterale dal manubrio.

DIMENSIONI: lunghezza 2150 mm, larghezza 845 mm, altezza 1050 mm.

PESO: 140 kg

MESSA IN OPERA DELLA MACCHINA

- 1) Controllare l'integrità della macchina e che non abbia subito danni durante il trasporto.
- 2) Verificare i livelli olio motore e trasmissione idrostatica.
- 3) Verificare la pressione degli pneumatici: 1,5 BAR
- 4) Ruotare la stegola di guida.
- 5) Montare il supporto ruotina anteriore (fig. 5).
- 6) Stringere saldamente le viti di serraggio e di registro del supporto ruota anteriore.

RODAGGIO - ATTENZIONE!!

Sostituire l'olio motore dopo le prime 20 ore di funzionamento. Controllare che non vi siano perdite d'olio o viti lente, in particolare quelle di fissaggio della lama. Dopo le prime ore di funzionamento registrare la tensione della cinghia motore piatto di taglio unitamente al freno lama (fig. 6 - fig. 7).

ISTRUZIONI D'USO

Prima di avviare il motore controllare sempre:

- che l'olio nel motore sia a livello (fig. 8, rif. A) - (attenersi all'apposito libretto);
- che le griglie di aspirazione per il raffreddamento del motore siano pulite (fig. 10);
- che il filtro aria sia ben pulito (fig. 1, n°13), (attenersi all'apposito libretto);
- che il piatto tosaerba sia ben pulito;
- che le alette del motore idraulico siano pulite (fig. 14);
- che le lame siano ben affilate e saldamente fissate;

Riempire il serbatoio di carburante servendosi di un imbuto munito di un filtro utilizzando benzina fresca (fig. 1, n°12).

AVVIAMENTO DEL MOTORE

- Spingere fino a metà corsa il manettino acceleratore (fig. 1, n°4).
- Se il motore è freddo azionare il dispositivo di starter spingendo a fine corsa il manettino acceleratore
- Avviare il motore tirando con forza la maniglia dell'autoavvolgente (fig. 1, n°11).
- Una volta avviato il motore disinserire lo starter, aspettare qualche minuto per riscaldare il motore.

INIZIO DEL LAVORO

- Scegliere l'altezza di taglio agendo sulla manovella (fig. 1, n°10), accelerare opportunamente il motore, premere le leve (fig. 1, n. 1) e innestare la PTO (fig. 1, n. 2 – nella foto la PTO è disinserita). Azionare dolcemente la leva avanzamento (fig. 1, rif. 3) ed iniziare il lavoro. Per fermarsi lasciare entrambe le leve sul manubrio (fig. 1, rif. 1). La rotazione della lama si disinnesta automaticamente.
- La leva (fig. 1, rif. 3) serve per scegliere la velocità di lavoro e per inserire la retromarcia. Spostando la leva in avanti si seleziona la velocità in avanti, spostandola indietro si seleziona la retromarcia – azionarla dolcemente. Abbandonando entrambe le leve sul manubrio (fig. 1, n. 1), la leva in retromarcia (fig. 1, n. 3) ritorna automaticamente nella posizione di STOP.
- Sulla leva di avanzamento/retromarcia (fig. 1, n. 3) è presente un pomello (fig. 1, rif. 9) che se regolato, rende la leva più dura o più morbida. La macchina è provvista di un dispositivo che espelle automaticamente la retromarcia. Non bloccare il dispositivo di espulsione della retromarcia.

FRENO DI STAZIONAMENTO

Per stazionare la macchina correttamente bisogna innestare la leva di freno. Nella posizione (fig. 12, rif. A) il freno è disinserito. Inserire sempre il freno di stazionamento, in particolare nel caso in cui si lasci la macchina in pendenza.

BLOCCAGGIO DIFFERENZIALE

Il bloccaggio differenziale si inserisce agendo sulla leva (fig. 2, rif. D) ed è possibile mantenerlo inserito agendo sulla levetta di blocco (fig. 2, rif. B). Utilizzare il bloccaggio differenziale in caso di slittamento delle ruote motrici. Per mantenere in aderenza entrambe le ruote motrici è consigliabile usare il bloccaggio anche in discesa, in forte pendenza e nel lavoro trasversale in pendenza. E' inoltre possibile il bloccaggio della ruota anteriore in posizione rettilinea mediante l'apposito meccanismo (fig. 1, n. 18). Nel lavoro trasversale in pendenza il bloccaggio differenziale risulta molto utile al fine d'ottenere un avanzamento uniforme della macchina ed evitare lo slittamento della ruota a monte. Attenzione! Non utilizzare il bloccaggio differenziale in curva. Mantenere lubrificati con grasso l'innesto e le catene. Per eseguire questa operazione occorre rimuovere la cofanatura svitando le due viti superiori (fig. 12, rif. D).

REGISTRAZIONE MACCHINA

Per registrare la tensione della cinghia per la trasmissione della lama, si deve intervenire sulla vite di regolazione (fig. 7, rif. C) e mantenere un'estensione della molla di compensazione di 2 mm. Il freno lama è composto da un organo in materiale d'attrito frenante (fig. 7, rif. B). Il distacco dalla puleggia in fase di lavoro deve essere minimo e deve avvenire solo nella fase finale della escursione del galoppino della PTO che si registra tramite una vite (fig. 6, rif. A).

REGOLE UTILI PER IL BUON USO

- 1) Non forzare mai il motore: quando fuma dallo scarico, è sotto sforzo; bisogna rallentare.
- 2) Non tenere la macchina sotto la pioggia.
- 3) Affilare frequentemente le lame; il taglio sarà migliore e il motore assorbirà meno potenza.
- 4) Durante la rasatura tenere il motore a massimo regime, regolare la velocità in base all'altezza dell'erba.
- 5) **Mantenere pulite le griglie sopra al motore e le alette di raffreddamento del motore idraulico (fig. 10 – fig. 14).**

POSIZIONI DI TAGLIO

Per regolare l'altezza di taglio si agisce sulla manovella (fig. 12, rif. B). Il piatto può essere posizionato in diverse posizioni di taglio che variano da 50 a 150 mm. In presenza di terreno accidentato, cunette o dossi, è conveniente operare con il piatto nella posizione di taglio più alta onde evitare urti da parte della lama. Bloccare la manovella in posizione tramite l'apposito fermo (fig. 12, rif. C).

MANUTENZIONE E LUBRIFICAZIONE

ATTENZIONE!

- **Scollegare la candela prima di iniziare qualsiasi intervento di pulizia, manutenzione o riparazione. Indossare indumenti adeguati e guanti da lavoro.**
- **Qualora si sollevi la macchina o parte di essa, usare sempre strumenti idonei quali supporti o fermi di sicurezza.**
- **Non lasciare la macchina in manutenzione, priva di sicurezze o sollevata, in luoghi accessibili a persone inesperte, specialmente bambini.**
- **Non disperdere mai nell'ambiente olii esausti, benzina, gasolio ogni altro prodotto inquinante!**
- **Un'efficiente manutenzione e una corretta lubrificazione contribuiscono a mantenere la macchina in perfetta efficienza.**

ATTENZIONE!

Per accedere alla trasmissione idrostatica è sufficiente rimuovere la carenatura svitando due viti M8 poste sulla parte alta (fig. 12, rif. D).

MOTORE

Per gli intervalli di lubrificazione seguire le norme contenute nel libretto del motore; comunque è indispensabile sostituire l'olio dopo le prime 20 ore di lavoro. La prima precauzione è che venga effettuata regolarmente una corretta manutenzione del motore con filtro aria, alette raffreddamento, testata pulita e l'olio motore a livello. Controllare il filtro aria ogni 4 ore, più frequentemente se l'ambiente è molto polveroso (fig. 1 n. 13). Controllare la griglia a rete di aspirazione del raffreddamento del motore (fig. 10).

ASSALE IDROSTATICO

Controllare la vaschetta di espansione con il motore freddo: deve essere vuota (fig. 9, rif. A). Pulire ogni 4 ore di lavoro le alette di raffreddamento del motore idraulico. In estate e/o in presenza di molta polvere, anche più frequentemente (fig. 14). Sostituire l'olio dopo le prime 50 ore di lavoro, successivamente ogni 200 ore, utilizzare olio 10W60 quantità 1,85 lt. per la sostituzione procedere come segue:

- 1) Togliere i due tappi (fig. 15).
- 2) Rimuovere il tappo utilizzando un cacciavite (fig. 17, rif. A).
- 3) Avvitare i due tappi (fig. 15), (coppia di serraggio 13-17 N.m).
- 4) Inserire l'olio, rimontare il tappo (fig. 17, rif. A).
- 5) Verificare che la vaschetta di espansione sia vuota. Il livello è di 12 mm sotto al piano inferiore della vaschetta di espansione (fig. 9, rif. A).

PUNTI DI LUBRIFICAZIONE CON GRASSO

Lubrificare con grasso ogni 50 ore: il perno della ruota anteriore (fig. 5, rif. A) e il tendicinghia (fig. 8, rif. B). Lubrificare le articolazioni della stegola, i cavi, le catene e l'innesto bloccaggio differenziale.

CONTROLLO LAME E PIATTO

Una lama non affilata strappa l'erba, conferendogli un brutto aspetto; è necessario che l'affilatura sia sempre eseguita sui taglienti delle due lamette. Affilare entrambi i taglienti per mezzo di una mola a grana media. Se la macchina ha vibrazioni anomale, occorre verificare l'equilibratura della lama sorreggendola con un tondo infilato nel foro centrale. Per smontare una lama, afferrarla saldamente utilizzando guanti da lavoro e svitare la vite centrale. Attenzione, la vite è destra (fig. 13). Per le due lame di taglio eseguire il montaggio seguendo lo schema (fig. 13).

ATTENZIONE!

Serrare bene a fondo la vite di fissaggio (fig. 13, rif. A). Sostituire sempre i coltelli danneggiati o storti; non tentare mai di ripararli! Per il montaggio seguire lo schema (fig. 13, rif. B). **USARE SEMPRE COLTELLI ORIGINALI!** Verificare sempre visivamente che i bulloni della lama non siano consumati o danneggiati.

CINGHIA MOTORE - LAMA

La tensione si registra agendo sul registro (fig. 7, rif. C) posto in prossimità della puleggia asse lama. In lavoro la molla si deve allungare a 2 mm (fig. 7, rif. A). Se si verifica l'attorcigliamento o la fuoriuscita della cinghia controllare l'allineamento delle pulegge. **Attenzione:** quando si posizionano i guidacinghia, occorre avvicinarli alla cinghia. Quando la cinghia è in tensione non deve toccare le guide (fig. 19).

CINGHIE MOTORE - ASSALE IDROSTATICO

Controllare la tensione della molla. Per la sostituzione occorre sganciare la molla di tensione (fig. 16, rif. A).

ROTAZIONE LAMA

Per innestare e disinnestare la rotazione della lama si agisce sulla leva (fig. 1, n. 2): abbandonando le leve la lama si arresta (fig. 1, n. 1). Durante l'innesto il motore deve essere a metà regime e la macchina deve essere al di fuori dell'erba da tagliare. Il disinnesto avviene rilasciando la leva (fig. 2, rif. A). La lama deve arrestarsi entro 5 secondi, se ciò non avvenisse occorre registrare il freno agendo sulla vite (fig. 6, rif. A) eventualmente sostituendo il corpo frenante (fig. 7, rif. B).

N.B. Questa operazione va eseguita da un centro assistenza autorizzato.

SOSTITUZIONE CINGHIE

La trasmissione del movimento del motore alla trasmissione idraulica e dal motore alla lama è ottenuta per mezzo di due cinghie trapezoidali. **Sostituire le cinghie non appena manifestano segni di usura!** La loro sostituzione e successive regolazioni sono abbastanza complesse ed è indispensabile venga affidata ad un Centro assistenza Autorizzato. Per la cinghia motore piatto di taglio, occorre smontare il guidacinghia sull'asse della puleggia motore (fig. 19). (**Nota:** la molla va riagganciata nell'anello – fig.7, rif. A).

USARE SEMPRE CINGHIE ORIGINALI!

DISPOSITIVO DI SBLOCCO DELLA TRAZIONE

Il dispositivo di sblocco della trazione è posizionato nella parte laterale della macchina sotto la carena posteriore (fig. 1, n. 16). Qualora si verificasse un'avaria alla macchina, per poterla spostare a mano posizionare l'asta nella posizione folle. Nella posizione interna la macchina è in folle.

TABELLA RIASSUNTIVA MANUTENZIONE

OPERAZIONE		AD OGNI USO	PRIME 20 ORE	OGNI 50 ORE	OGNI 100 ORE	OGNI 200 ORE
Olio motore	Controllare il livello	•				
	Cambiare		•		•	
Filtro aria	Controllare	•				
	Sostituire					*
Candela	Controllare/registrare				•	
	Sostituire					•
Cinghia PTO	Controllare tensione		•		•	
	Sostituire					*
Controllare che: -griglia aspirazione motore -alette motore idraulico siano be puliti		•				
Olio Trasmissione idrostatica	Controllare il livello			•		
	Sostituire			• (primo cambio)		•
Controllare affilatura e fissaggio lame			•	•		
Lubrificare con grasso			•	•		

• operazione raccomandata

* **operazione da eseguire se necessario**

GUIDA ALL'IDENTIFICAZIONE DEGLI INCONVENIENTI

CAUSA	INCONVENIENTE	RIMEDIO
Avviamento difficoltoso o funzionamento irregolare del motore		
<ul style="list-style-type: none"> – Problemi di carburazione – Depositi o impurità nel carburante – Insufficienza nell'impianto d'accensione 	<ul style="list-style-type: none"> – Pulire o sostituire il filtro dell'aria – Regolare il carburatore (attenersi al libretto motore) – Svuotare il serbatoio ed impiegare benzina fresca – Controllare ed eventualmente sostituire il filtro benzina – Controllare che il foro di sfiato sul tappo del serbatoio non sia otturato. – Controllare il fissaggio del cappuccio della candela – Verificare la pulizia e la corretta distanza fra gli elettrodi 	
Calo di rendimento del motore durante il taglio		
<ul style="list-style-type: none"> – Velocità di avanzamento elevata in rapporto all'altezza di taglio 	<ul style="list-style-type: none"> – Diminuire la velocità – Aumentare l'altezza di taglio 	
Taglio irregolare		
<ul style="list-style-type: none"> – Piatto di taglio non parallelo al terreno – Inefficienza della lama 	<ul style="list-style-type: none"> – Controllare la pressione dei pneumatici – Controllare il corretto montaggio della lama – Affilare o sostituire le lame – Controllare la tensione della cinghia motore piatto 	
Vibrazioni durante il funzionamento		
<ul style="list-style-type: none"> – Lame squilibrate – Fissaggi allentati 	<ul style="list-style-type: none"> – Equilibrare la lama o sostituire le lamette se danneggiate – Verificare e serrare le viti di fissaggio delle lame, del motore e del telaio 	

LA MACCHINA NON MANTIENE LA POSIZIONE DI STOP

Registrare il dispositivo (fig. 20, rif. A) allentare il controdamo e agire sulla vite centrale.

FINE LAVORO

Terminata la rasatura, riposizionare in avanti la leva per disinnestare la lama (fig. 1, rif. 2) ed effettuare il percorso di ritorno con il piatto di taglio in posizione di massima altezza, premendo la leva (fig. 1, rif. 1). Per fermarsi abbandonare le leve di avanzamento (fig. 1, rif. 1). Per spegnere il motore portare il manettino acceleratore nella posizione di STOP (fig. 4, rif. C).

RIMESSAGGIO E INATTIVITÀ PROLUNGATA

Riporre la macchina in un ambiente asciutto, al riparo dalle intemperie e, possibilmente, ricoprirla con un telo. Seguire le indicazioni contenute nel libretto di istruzioni del motore. Se la macchina non viene utilizzata per più di 30 giorni occorre svuotare del carburante il motore onde prevenire la formazione di depositi gommosi nel sistema di alimentazione o in parti vitali del carburatore. Nel caso si volesse evitare questa operazione, è possibile prolungare la conservazione del carburante in rimessaggio fino a 12 mesi aggiungendo uno stabilizzante per benzina adatto allo scopo. Miscelare l'additivo al carburante nel serbatoio o nel recipiente del carburante. Accendere il motore per far circolare l'additivo nel sistema di alimentazione. Nota: se il motore utilizza benzina contenente alcol, svuotare il serbatoio facendo funzionare il motore fino ad esaurire il carburante.

AVVERTENZE PER IL TRASPORTO

Se la macchina viene trasportata a bordo di un camion o un rimorchio, abbassare il piatto di taglio, inserire il freno di stazionamento (fig. 1, n. 17) ed assicurarla al mezzo di trasporto mediante funi o cavi. La macchina è provvista di tre punti di fissaggio: uno anteriore sul supporto ruotina, e due posteriori sul telaio (fig. 1, n. 19).

BROYEUSE HYDROSTATIQUE GRILLO CL 75

Cher Client,

Nous vous remercions pour la confiance et la préférence que vous avez bien voulu accorder à notre Grillo CL75. Nous sommes certains que l'utilisation de votre nouvelle machine répondra entièrement à vos exigences. Pour un emploi optimal et pour son entretien au fil du temps, nous vous demandons de lire attentivement et de respecter scrupuleusement les indications de cette brochure; cela vous permettra d'obtenir d'excellents résultats et de sauvegarder votre investissement. Nous vous demandons de conserver ce Manuel qui doit toujours accompagner la machine.

DESCRIPTION GENERALE ET USAGE PREVU

La machine Grillo 75 est une broyeuse à conducteur marchant, conçu pour la coupe de l'herbe, même dans les pentes.



ATTENTION! Avant de mettre le moteur en marche lire attentivement le mode d'emploi. Les précautions suivantes sont importantes pour votre sécurité!

MISES EN GARDE

La prudence est l'arme principale pour la prévention des accidents!

Avant de commencer tout travail nous vous demandons de lire attentivement le mode d'emploi suivant concernant le broyeur.

L'utilisation inadéquate du broyeur et de son équipement peuvent être dangereux; pour réduire ces possibilités de danger, veuillez respecter ces précautions nécessaires:

- 1) Lire entièrement ce manuel avant l'activation et la mise en mouvement du broyeur.
- 2) Respecter avec une attention particulière les mises en garde et les étiquettes de sécurité placées autour du broyeur.
- 3) Avant de confier votre broyeur à d'autres personnes il faut les mettre au courant des normes de sécurité, et du mode d'emploi.
- 4) Avant de commencer le travail, mettre des vêtements de travail appropriés, gants, bottes et lunettes.
- 5) Avant de commencer le travail, mettre toujours des protections acoustique adaptées (casques).
- 6) Avant de mettre le broyeur en marche, vérifier que personne ne se trouve tout près de la machine spécialement des enfants.
- 7) Avant de faire marche arrière, contrôler qu'il n'y ait personne et aucun obstacle.
- 8) Contrôler le terrain avant de la tonte pour qu'il n'y ait pas de cailloux, de morceaux, de bois ou d'autres corps qui pourraient être projetés et se révéler très dangereux.
- 9) Si l'on heurte un corps étranger, déclencher la lame, éteindre le moteur, débrancher la bougie d'allumage et examiner le broyeur. Si la machine vibre de manière anormale, la faire contrôler chez le centre assistance autorisé le plus proche.
- 10) Pendant le travail, les personnes doivent rester à une **distance minimale de 15 mètres**.
- 11) Voyager à une vitesse réduite sur les terrains accidentés.
- 12) Sur des pentes et en descente modérer la vitesse.
- 13) Dans les descentes tourner très lentement.
- 14) L'utilisateur est toujours responsable des dommages occasionnés aux tiers.
- 15) Les couteaux déformés ou endommagés doivent être toujours remplacés et jamais réparés.
- 16) Utiliser toujours des pièces détachées et des accessoires d'origine GRILLO.
- 17) Travailler uniquement avec la lumière du soleil ou avec une bonne lumière artificielle.
- 18) Conserver le carburant dans des jerricanes spécifiquement construit à cet effet.
- 19) Être vigilants lorsqu'on travaille près d'une route.
- 20) Laisser refroidir le moteur avant de ranger le broyeur dans des locaux fermés.
- 21) Ne pas utiliser le broyeur quand l'on est fatigué ou l'on a bu des boissons alcoolisées.
- 22) Éviter les fuites de combustible; après avoir rempli le réservoir nettoyer soigneusement les fuites sur la tondeuse avant d'activer le moteur.
- 23) Ne pas modifier ni désactiver les dispositifs de sécurité.
- 24) Ne pas modifier les réglages du moteur et plus spécialement le nombre de tours maximum.
- 25) Ne pas utiliser la machine sans les jupes de protection avant et arrière.

- 26) N'effectuer aucun réglage ou nettoyage avec le moteur en marche. N'oubliez pas de débrancher la bougie d'allumage.
- 27) Ne pas contrôler la machine avec le moteur en marche.
- 28) La rotation de la lame du broyeur est très dangereuse: ne jamais mettre les mains ou les pieds sous le plateau.**

USAGES IMPROPRES A EVITER

- 29) Ne pas faire travailler des personnes trop jeunes: l'usage est interdit aux mineurs de 16 ans.
- 30) Ne pas utiliser le broyeur près de fosses ou sur leur accotements qui peuvent s'écrouler sous le poids.

PRECAUTIONS DE SECURITE SUPPLEMENTAIRES

Les mises en garde décrites ci-dessus pourraient ne pas être suffisantes afin d'éviter tous les risques, au cas où l'opérateur ne se tenait pas à l'usage approprié de la présente machine broyeur. Pour cette raison et pour plus de prudence nous ajoutons les précautions suivantes.

- 31) Ne pas faire marche arrière si le moteur est accéléré.
- 32) Il est dangereux d'actionner le levier de direction brusquement, avec le moteur à plein régime.
- 33) Avant d'activer le moteur, remplir le réservoir de carburant. Le ravitaillement de combustible doit être fait en plein air; désactiver le moteur, rester loin des étincelles ou des flammes et ne pas fumer. Remettre le bouchon du réservoir et ranger les jerricans de carburant de manière fiable.
- 34) Effectuer la vidange du réservoir de carburant uniquement en plein air.
- 35) Ne jamais utiliser le broyeur sur le gravier car il serait aspiré et centrifugé par la lame, ce qui est très dangereux.
- 36) ATTENTION:** Pour réduire le risque d'incendie, faire en sorte que le logement du moteur, le pot d'échappement, les collecteurs, la batterie, la zone réservoir et la tuyauterie du carburant ne soient pas obstrués par des herbes, des feuilles, des poussières etc.
- 37) Ne pas remiser le broyeur dans un édifice où les vapeurs du carburant peuvent arriver jusqu'à des flammes, des étincelles ou des fils électriques dénudés.

Cette machine doit toujours être utilisée conformément aux recommandations, qui sont indiquées dans ce manuel. Le constructeur décline toute responsabilité si l'utilisateur ne respecte pas ces instructions.

Pour remplacer ou affûter les lames, utiliser toujours des gants afin d'éviter des blessures.

Tout d'abord arrêter le moteur, débrancher la bougie d'allumage et utiliser les gants pour éviter les risques des blessures.

Vérifier souvent la condition de la protection arrière d'éjection, pour éviter que le matériel coupé cogne l'opérateur.

Vérifier l'état des boulons et de lames. Les remplacer si nécessaire.

Avant de commencer le travail, assurez-vous que la lame, les boulons et toutes les parties tranchantes ne soient pas usés ou endommagés. Les remplacer si nécessaire.

Risques causés par le terrain:

- 1. quand le terrain est très incliné;**
- 2. en côte le risque de chute du conducteur peut causer la reculade de la machine et créer comme ça une situation dangereuse.**
- 3. quand le terrain est encombré des objets naturels: roches, pierres mobiles, bûches d'arbre, bouteilles, pièces de fer, verrous et autres corps étrangers; ces obstacles peuvent être transformés en projectiles dangereux et fatiguer l'organe de coupe en manière imprévisible: ils doivent être évités.**

Avant de laisser le siège de guide arrêter le moteur.

Ne laisser pas utiliser la tondeuse à autres personnes, s'ils ne connaissent pas les instructions. Faire attention pour éviter de glisser, surtout sur les pentes, où l'herbe est mouillée.

Pour le transport avec moyens différents de la propulsion de la tondeuse, le moteur doit être arrêté.

IDENTIFICATION ET ASSISTANCE



Le Grillo CL 75 est muni d'une plaquette avec le numéro de série de la machine. Cette plaquette se trouve à la base du moteur.

SERVICE ASSISTANCE

Ce manuel fournit toutes les indications utiles sur l'emploi de la tondeuse et sur un entretien de base correct, qui peut être effectué par l'opérateur. Pour les interventions non décrites sur cette brochure, interpellier le Revendeur responsable de la Zone.

PIECES DETACHEES

Nous recommandons d'utiliser exclusivement des pièces de rechange d'origine, les seules qui offrent des caractéristiques de sécurité et d'interchangeabilité. Toute demande doit indiquer le numéro de matricule de la machine et le numéro de code de la pièce à remplacer. Pour les pièces de rechange relatives au moteur, respecter les indications contenues dans le livret spécifique.

GARANTIE

La garantie est assurée selon les modes et les limites indiquées par la loi en vigueur. Le revendeur devra remettre au client final une copie de la carte de garantie de la machine, qui pourra être téléchargée du site Grillo après avoir enregistré la machine même. En ce qui concerne le moteur, seulement les conditions prévues par le Fabricant concerné sont valables.

PIECES DE RECHANGE QUE NOUS CONSEILLONS D'AVOIR EN RESERVE

- * 2 lames
- * 2 vis de lames
- * 2 écrous pour vis de lames

CARACTERISTIQUES TECHNIQUES

MOTEUR: - HONDA **GXV340** OHV 337 cc, 8,9 HP, 6,6 Kw (à 3600 tours/min.) monocylindrique, à essence 4 temps avec pompe à huile.

DEMARRAGE: par lanceur à rappel automatique

TRANSMISSION: hydrostatique.

VITESSE: à variation continue avant max. 6km/h, arrière max. 3,5km/h,

CAPACITE HORAIRE: 2500m²/h.

HAUTEUR DE COUPE: de 50 à 150 en continu avec régulation rapide par manivelle.

LARGEUR DE COUPE: 780 mm.

ROUES DIRECTRICES: avec pneus TRACTOR 4.00-8 à 4 toiles.

BLOCAGE DE DIFFERENTIEL: manuel.

ROUE AVANT: pneus solide et anti-crevaison 8x3.00/4.

PLATEAU DE COUPE: avec éjection arrière et ouverture antérieure basculante.

VITESSE PERIPHERIQUE LAME: 74m/s.

SYSTEME DE COUPE: rotatif à une lame avec 2 couteaux flottants antichoc.

MANCHERON: avec régulation rapide verticale et latérale par le guidon.

DIMENSIONS: Longueur 2150 mm - Largeur 845 mm - Hauteur 1050 mm.

POIDS: 140kg.

MISE EN SERVICE DE LA MACHINE

- 1) Contrôler que la machine est intacte et qu'elle n'ait pas été endommagée pendant le transport.
- 2) Vérifier les niveaux d'huile du moteur et de la transmission hydrostatique.
- 3) Vérifier la pression des pneus: 1,5 BAR.
- 4) Tourner le guidon.
- 5) Monter le support de la roue avant (fig. 5).
- 6) Serrer très bien les vis de serrage et de réglage du support de la roue avant. La bague à l'intérieur du support doit se bloquer.

RODAGE - ATTENTION!!

Remplacer l'huile moteur et le filtre après les premières 20 heures de fonctionnement. Contrôler qu'il n'y a aucune fuite d'huile ni des vis desserrées, en particulier celles de fixation de la lame. Après les premières heures de fonctionnement régler soit la tension courroie du plateau de coupe soit le frein (fig. 6 – fig. 7).

MODE D'EMPLOI

Avant de démarrer le moteur contrôler toujours:

- que l'huile dans le moteur soit au niveau souhaité (fig. 8, A) - (voir le manuel);
- que les grilles d'aspiration pour le refroidissement du moteur soient propres (fig. 10);
- que le filtre à air soit bien propre (fig. 1 n. 13) - (voir le manuel);
- que le disque de la tondeuse soit bien propre;
- que les ailettes du moteur hydraulique soient bien propres (fig. 14);
- que les lames soient bien affûtées et solidement fixées;
- que la vis centrale du moyeu lame soit bien serrée (fig. 13).

Remplir le réservoir avec de l'essence fraîche en utilisant un entonnoir (fig. 1, n. 12).

DEMARRAGE DU MOTEUR

- Pousser jusqu'à la mi-course la manette de l'accélérateur (fig. 1, n. 4).
- Si le moteur est froid, actionner le dispositif de starter en poussant le levier accélérateur jusqu'à la fin de course.
- Mettre le moteur en marche, en tirant avec force la poignée du lanceur (fig. 1 n. 11).
- Lorsque le moteur a démarré, désactiver le starter, attendre quelques minutes pour réchauffer le moteur.

DEBUT DU TRAVAIL

- Choisir la hauteur de coupe à l'aide de la manivelle (fig. 1 n. 10), accélérer convenablement le moteur, pousser les leviers (fig. 1, n. 1) et enclencher le levier prise de force (fig. 1, n. 2 – dans la photo la prise de force est déclenchée). Actionner doucement le levier d'avancement (fig. 1, n. 3) et commencer le travail. Pour s'arrêter laisser les deux leviers sur le guidon (fig. 1, n. 1). La rotation de la lame s'arrête automatiquement.
- Le levier (fig. 1, n. 3) sert pour choisir la vitesse de travail et également pour la marche arrière. Si l'on déplace en avant, on choisit la vitesse en avant, si l'on déplace en vers l'arrière, on choisit la marche arrière – actionnez-le doucement. En laissant les deux leviers sur le guidon (fig. 1, no. 1), le levier en marche arrière retourne automatiquement dans la position du STOP.
- à côté du levier d'avancement et marche arrière (fig. 1, n. 3) il y a un pommeau (fig. 1, réf. 9), qui règle la souplesse du levier. La machine est équipée d'un mécanisme qui déclenche automatiquement la marche arrière. Ne pas empêcher le fonctionnement du pommeau.

FREIN DE STATIONNEMENT

Pour stationner la machine de façon correcte, il faut enclencher le levier du frein. Dans la position (fig. 12, réf. A) le frein n'est pas enclenché. Enclencher toujours le frein se stationnement surtout quand on laisse la machine on pentes.

BLOCAGE DIFFERENTIEL

Le blocage différentiel se met en fonction en utilisant le levier (fig. 2, ref. D) et il est possible de le maintenir en utilisant le levier rouge (fig. 2, réf. B). Utiliser le blocage différentiel en cas de glissement des roues motrices. Afin de maintenir l'adhérence de la machine on recommande d'utiliser le blocage différentiel en descentes, en pentes et pour tondre en travers aussi. Il est en outre possible de bloquer la roue avant en rectiligne à travers le mécanisme approprié (fig. 1, n. 18). **Attention!** Ne pas utiliser le blocage différentiel dans les virages. Il faut que l'attache du blocage différentiel et les chaînes soient toujours bien graissés. Afin d'effectuer cette opération il est nécessaire de démonter le capot en dévissant les deux vis supérieures (fig. 12, réf. D).

REGLAGE DE LA MACHINE

Pour régler la tension de la courroie sur la transmission de la lame, utiliser la vis de réglage (fig. 7, réf. C) et tenir une expansion du ressort de compensation de 2 mm. Le frein de lame est composé de matériel de freinage (fig. 7, réf. B). Le détachement de la poulie pendant le travail doit être minimum et doit passer seulement pendant la phase finale de l'excursion du tendeur de la prise de force, que peut être réglé en utilisant la vis (fig. 6, réf. A).

REGLES UTILES POUR UN BON USAGE

- 1) Ne jamais forcer le moteur: lorsque le tuyau d'échappement fume, le moteur est sous effort. Ralentir.
- 2) Ne pas laisser la machine sous la pluie.
- 3) Affûter fréquemment les lames; la coupe sera meilleure et le moteur forcera moins.
- 4) Pendant la tonte le moteur doit tourner à plein régime; régler la vitesse en fonction de la hauteur de l'herbe.
- 5) **Faire bien attention que les grilles au-dessus du moteur et les ailettes de refroidissement du moteur hydraulique soient toujours propres (fig. 10 - fig. 14).**

POSITIONS DE COUPE

Pour régler la hauteur de coupe utiliser sur la manivelle (fig. 12, réf. B). Le plateau peut être régler dans plusieurs positions de coupe de 50 à 150 mm. En présence d'un terrain accidenté ou de dos-d'âne, il convient d'utiliser la machine avec le plateau dans la position de coupe la plus haute pour éviter les chocs de la lame. Bloquer la manivelle en position à travers le dispositif de blocage (fig. 12, réf. C).

ENTRETIEN ET LUBRIFICATION

ATTENTION!

- **Débrancher la bougie d'allumage avant de procéder à toute opération de nettoyage, de maintenance ou de réparation. Porter des vêtements appropriés et des gants de travail.**
- **Quand on relève la machine ou une partie de la machine, utiliser toujours des instruments appropriés comme des support des sécurité.**
- **Ne pas laisser la machine relevée et sans supports de sécurité non gardée, surtout dans des lieux où personnes inexpertes et enfants peuvent avoir accès à la machine.**
- **Ne jamais jeter dans la nature les huiles usées, l'essence et tout autre produit polluant!**
- **Une maintenance fiable et une lubrification correcte contribuent à maintenir la tondeuse en parfait état de marche.**

ATTENTION!

Pour rejoindre la transmission hydrostatique, il suffit d'enlever le carénage en dévissant les deux vis M8 placées en haute (fig. 12, réf. D).

MOTEUR

Respecter les normes contenues dans le manuel du moteur en ce qui concerne les intervalles de lubrification; il est toutefois indispensable de remplacer l'huile après les 20 premières heures de travail. Première précaution à prendre: le moteur doit être correctement entretenu avec un filtre à air, des ailettes de refroidissement, une culasse propre et l'huile moteur au niveau souhaité. Contrôler le filtre à air toutes les 4 heures ou même plus fréquemment si l'environnement est très poussiéreux (fig. 1, no. 13). Contrôler la grille d'aspiration du refroidissement du moteur (fig. 10).

ESSIEU HYDROSTATIQUE

Avec le moteur froid, contrôler le réservoir à expansion qui doit être vide (fig. 9, réf. A). Nettoyer toutes les 4 heures les ailettes de refroidissement du moteur hydraulique. Si on travail pendant l'été, compte tenu de la présence importante de poussière, les nettoyer plus fréquemment (fig. 14). Remplacer l'huile après les 50 premières heures de travail, ensuite toutes les 200 heures et utiliser uniquement de l'huile 10W60 (quantité 1,85 litres) en procédant comme suit:

- 1) Retirer les deux bouchons (fig. 15).
- 2) Retirer le bouchon en utilisant un tournevis (fig. 17, réf. A).
- 3) Visser les deux bouchons (fig. 15) - (couple de serrage 13-17 N.m).
- 4) Insérer l'huile et visser le bouchon (fig. 17, réf. A).
- 5) Vérifier que le réservoir à expansion est vide, le niveau correct est 12 mm au-dessous du fond de la cuvette (fig. 9, réf. A).

POINTS DE GRAISSAGE

Lubrifier avec graisse toutes les 50 heures l'arbre de la roue avant (fig. 5, réf. A) et le tendeur de la courroie (fig. 8, réf. B). Graisser les articulations du guidon, les câbles, les chaînes et le blocage différentiel.

CONTROLE DES LAMES ET DU PLATEAU

Une lame non affûtée arrache le gazon et enlaidit le cadre général. Il faut que l'affûtage des lames soit toujours effectué sur les tranchants des deux lames. Affûter les deux tranchants avec une meule à grain moyen. Si la machine vibre de façon anormale, il faut vérifier l'équilibrage de la lame en la soutenant avec un fer rond enfilé dans le trou central. Pour démonter une lame, la saisir avec force en utilisant des gants de travail et dévisser la vis centrale. Attention! Il s'agit de la vis à droite (fig. 13). Pour les deux lames effectuer le montage en suivant le schéma (fig. 13).

ATTENTION!

Serrer bien à fond la vis de serrage (fig. 13, réf. A). Remplacer toujours les couteaux abîmés ou tordus; ne jamais les réparer! Pour le montage respecter le schéma (fig. 13, réf. B). **UTILISER TOUJOURS DES COUTEAUX D'ORIGINE!** Vérifier toujours que les boulons de la lame ne soient pas endommagés ou usés.

COURROIE MOTEUR – LAME

Régler la tension en agissant sur le registre (fig. 7, réf. C), qui se trouve près de la poulie sur l'essieu de la lame. Pendant le travail le ressort doit s'allonger de 2 mm (fig. 7, réf. A). Si l'on constate l'entortillement ou la sortie de la courroie contrôler l'alignement des poulies. **Attention!** Lorsqu'on place les guide-courroie, il faut les rapprocher de la courroie. Quand la courroie est en tension elle ne doit pas toucher les guides (fig. 19).

COURROIE DU MOTEUR – ESSIEU HYDROSTATIQUE

Contrôler la tension du ressort. Pour le remplacement, décrocher le ressort de tension (fig. 16, réf. A).

ROTATION DE LA LAME

Pour activer et désactiver la rotation de la lame, utiliser le levier (fig. 1, n. 2) : en laissant les leviers la lame s'arrête (fig. 1, n. 1). Pendant l'activation le moteur doit être à mi-régime et la machine doit se trouver hors du gazon à couper. La lame se désactive en laissant le levier (fig. 2, réf. A). La lame doit s'arrêter en 5 secondes; si cela ne se passe pas ainsi, il faut enregistrer le frein en intervenant sur le ressort de charge (fig. 6, réf. A), et en remplaçant éventuellement le corps freinant (fig. 7, réf. B). **Important: Cette opération doit être effectuée dans un Centre d'Assistance autorisé.**

REPLACEMENT DES COURROIES

La transmission du mouvement du moteur à la transmission hydraulique et à la lame est assurée par deux courroies trapézoïdales. Remplacer les courroies dès qu'elles manifestent des signes d'usure! Leur remplacement et les réglages successifs sont assez complexes. Il faut donc confier ces opérations à un Centre d'Assistance autorisé. Pour la courroie du moteur du plateau de coupe, il faut démonter le guide-courroie sur l'essieu de la poulie du moteur (fig. 19). (**Note:** il faut réinsérer le ressort le dans l'anneau – fig. 7, réf. A).

UTILISER TOUJOURS DES COURROIES D'ORIGINE!

DISPOSITIF DE DEBLOCAGE DE LA TRACTION

Le dispositif de déblocage de la traction est placé latéralement sous le carénage arrière de la machine (fig. 1, n. 16); en cas d'avarie, placer le levier en point mort pour pouvoir déplacer la machine manuellement. Dans la position interne la machine est en point mort.

TABLEAU RECAPITULATIF DE MAINTENANCE						
OPERATION		A CHAQUE USAGE	APRES LES PREMIERES 20 HEURES	TOUTES LES 50 HEURES	TOUTES LES 100 HEURES	TOUTES LES 200 HEURES
Huile moteur	contrôler le niveau	•				
	remplacer		•		•	
Filtre à air	contrôler	•				
	remplacer					*
Bougie d'allumage	contrôler/régler				•	
	remplacer					•
Courroie – Prise de force	contrôler la tension		•		•	
	remplacer					*
Contrôler que: -la grille d'aspiration du moteur soit propre -les ailettes du moteur hydraulique soient propres		•				
Huile transmission hydrostatique	Contrôler le niveau			•		
	remplacer			• (premier change)		•
Contrôler fixation et affûtage de la lame.			•	•		
Lubrifier avec graisse			•	•		
Contrôler la batterie				*		•

• opération recommandée

* à effectuer si nécessaire

IDENTIFICATION DES INCONVENIENTS

INCONVENIENT

CAUSE	SOLUTION
Démarrage défectueux ou fonctionnement irrégulier du moteur	
<ul style="list-style-type: none"> - Problèmes de carburation 	<ul style="list-style-type: none"> - Nettoyer ou remplacer le filtre à air. - Régler le carburateur (respecter les indications du manuel relatif au moteur).
<ul style="list-style-type: none"> - Dépôts ou impuretés dans le carburant 	<ul style="list-style-type: none"> - Vider le réservoir et utiliser une nouvelle essence. - Contrôler et remplacer éventuellement le filtre à essence. - Contrôler que l'orifice de purge sur le bouchon du réservoir ne soit pas obstrué.
<ul style="list-style-type: none"> - Le groupe allumage est insuffisant 	<ul style="list-style-type: none"> - Contrôler la fixation du capuchon de la bougie. - Vérifier le nettoyage et la distance correcte entre les électrodes.
Baisse de rendement du moteur pendant la coupe	
<ul style="list-style-type: none"> - Vitesse d'avancement élevée par rapport à la hauteur de coupe. 	<ul style="list-style-type: none"> - Réduire la vitesse. - Élever de quelques crans le plateau de coupe.
Coupe irrégulière	
<ul style="list-style-type: none"> - Plateau de coupe non parallèle au terrain 	<ul style="list-style-type: none"> - Contrôler la pression des pneus
<ul style="list-style-type: none"> - Inefficacité des lames 	<ul style="list-style-type: none"> - Contrôler que le montage des lames est correct. - Affûter ou remplacer les lames. - Contrôler la tension de la courroie moteur - plateau de coupe.
Vibrations pendant le fonctionnement	
<ul style="list-style-type: none"> - Lames déséquilibrées 	<ul style="list-style-type: none"> - Équilibrer la lame ou remplacer les lames si endommagées.
<ul style="list-style-type: none"> - Fixations desserrées 	<ul style="list-style-type: none"> - Vérifier et serrer les vis de fixation des lames, du moteur et du châssis.

LA MACHINE NE TIENT PAS LE POINT MORT

Régler le dispositif (fig. 20, réf. A) desserrer le contre-écrou et régler la vis centrale.

FIN DU TRAVAIL

Après avoir terminé votre travail, laisser le levier pour déclencher la lame (fig. 1, réf. 2) et effectuer le parcours de retour avec le plateau de coupe en position de hauteur maximale en utilisant le levier (fig.1, no. 1). Pour s'arrêter laisser les leviers d'avancement (fig.1, no. 1). Afin d'arrêter le moteur conduire l'accélérateur dans la position de STOP (fig. 4, réf. C).

MISE EN DEPOT ET INACTIVITE PROLONGEE

Placer la machine dans un milieu sec, à l'abri des intempéries et, si possible, la recouvrir d'une bâche. Respecter les indications contenues dans le livret d'instructions du moteur. Si la machine ne sera pas utilisée pour plus de 30 jours il faut vidanger l' essence pour prévenir les dépôts de gomme dans le système d'alimentation ou sur des pièces vitales du carburateur. Afin d'éviter cette opération, il est possible de prolonger le temps du stockage du carburant dans le réservoir jusqu'à 12 mois en utilisant un additif pour essence approprié. Ajouter l'additif au réservoir de carburant ou dans un réservoir de stockage. Faire tourner quelques instants le moteur pour faire circuler l'additif dans le carburateur. Note: Si Vous utilisez de l'essence à l'alcool, vidanger toute l'essence du réservoir et faire tourner le moteur jusqu'à ce qu'il s'arrête, en panne de carburant.

MISE EN GARDE POUR LE TRANSPORT

Si la machine doit être transportée avec un camion ou remorque, baisser le plateau de coupe, insérer le frein de stationnement (fig. 1, n. 17) et fixer la machine au véhicule avec des câbles ou cordes. La machine est équipée de trois points de fixations: un placé sur le support de la roue avant et deux placés dans la partie arrière de la machine sur le châssis (fig. 1, réf. 19).

HYDROSTATISCHER WIESENMÄHER GRILLO CL75

Sehr geehrter Kunde,

Wir danken Ihnen für Ihr Vertrauen, und beglückwünschen Sie zu Ihrem neuen Grillo CL 75. Damit Sie lange Freude an Ihrem Mäher haben und dieser immer einwandfrei funktioniert, bitten wir Sie, dieses Handbuch aufmerksam durchzulesen und die darin enthaltenen Hinweise genau zu befolgen. Denn eine einwandfreie Wartung und eine korrekte Benutzung sind unabdingbare Voraussetzungen für einen problemlosen Betrieb und ein schönes Schnittbild. Bewahren Sie das Handbuch sorgfältig auf. Es ist ein wichtiger Bestandteil der Maschinenausstattung.

ALLGEMEINE BESCHREIBUNG UND VORGESEHENER GEBRAUCH

Der Grillo Climber 75 ist eine Maschine für das Mähen von Naturwiesen entworfen, auch in Hanglagen.



ACHTUNG! Lesen Sie vor dem Anlassen des Motors die folgenden Hinweise zum Schutz Ihrer persönlichen Sicherheit genau durch!

SICHEREHITSRELEVANTE HINWEISE

Vorsicht ist die wichtigste Maßnahme, um Unfälle zu vermeiden.

Die folgenden Hinweise zum Gebrauch des Mähers vor Beginn der Arbeit genau durchlesen und stets befolgen, da ein unsachgemäßer Gebrauch der Maschine und der dazugehörigen Ausrüstung gefährlich sein kann. Beachten Sie daher bitte die folgenden Vorsichtsmaßnahmen.

- 1) Dieses Handbuch vor der ersten Benutzung des Mähers genau und ganz durchlesen.
- 2) Die auf dem Mäher angebrachten Plaketten und Hinweise zur Sicherheit besonders beachten.
- 3) Soll der Mäher von einer anderen Person benutzt werden, ist diese genau im Gebrauch der Maschine und über die Unfallverhütungsmaßnahmen zu unterweisen.
- 4) Beim Arbeiten immer geeignete Arbeitskleidung, Handschuhe, solides Schuhwerk und Schutzbrille tragen.
- 5) Während der Arbeit geeigneten Gehörschutz tragen.
- 6) Vergewissern Sie sich vor dem Einschalten der Maschine, dass keine andere Personen und vor allem keine Kinder sich in der Nähe befinden.
- 7) Vergewissern Sie sich vor dem Anfahren im Rückwärtsgang immer, dass sich hinter Ihnen Personen oder Hindernisse befinden.
- 8) Kontrollieren Sie den Boden vor dem Mähen auf Steine, Wurzelstöcke und lose Gegenstände, die die Maschine beschädigen oder von dieser weg geschleudert und jemanden verletzen könnten.
- 9) Stößt man beim Mähen gegen einen Fremdkörper, muss der Mähbetrieb sofort unterbrochen werden. Starten Sie die Maschine wieder auf einer Stelle wo bereits gemäht wurde und überprüfen Sie den Mäher; sollten Sie ein anomales Zittern der Maschine bemerken, bringen Sie die Maschine zu Ihrem nächsten autorisierten Grillo-Kundendienstzentrum.
- 10) Während der Arbeit müssen andere Personen einen Sicherheitsabstand **von mindestens 15 Metern einhalten**.
- 11) Auf holprigen Straßen langsam fahren.
- 12) Beim Abwärtsfahren auf Hängen langsam fahren.
- 13) Beim Abwärtsfahren in Kurven sanft und langsam fahren.
- 14) Der Benutzer haftet immer für Personen bzw. Sachschäden.
- 15) Verformte oder beschädigte Messer sofort auswechseln und nicht reparieren.
- 16) Ausschließlich Original-Grillo-Ersatzteile und Zubehöre verwenden.
- 17) Nur bei Tageslicht oder guter Beleuchtung arbeiten.
- 18) Den Treibstoff in speziell zu diesem Zweck hergestellten Behältern aufbewahren.
- 19) Beim Arbeiten in der Nähe von einer Straße ist immer größte Vorsicht geboten.

- 20) Bevor die Maschine in einem geschlossenen Raum gestellt wird, muss der Motor abgekühlt sein.
- 21) Den Mäher auf keinen Fall benutzen, wenn Sie müde sind und/oder unter Alkoholeinfluss stehen.
- 22) Keinen Treibstoff verschütten, und nach dem Tanken vor dem Anlassen des Motors alle Treibstoffreste sorgfältig entfernen.
- 23) Die Sicherheitseinrichtungen dürfen nicht beschädigt oder außer Funktion gesetzt werden.
- 24) Die Einstellungen des Motors, im besonderen die maximale Drehzahl, nicht verstellen.
- 25) Die Maschine nur mit ihren geeigneten hinteren und vorderen Schutzvorrichtungen gegen Steinwurf benutzen.
- 26) Bei laufendem Motor keine Einstellungen oder Reinigungsarbeiten durchführen. Entfernen Sie immer das Zündkabel von der Zündkerze.
- 27) Bei laufendem Motor die Maschine niemals gleichzeitig von einer zweiten Person bedienen lassen.
- 28) Die rotierenden Messer sind höchst gefährlich. Nie Hände und Füße unter das Mähdeck halten.

FOLGENDES IST ZU BEACHTEN

- 29) Das Mindestalter für die Benutzung dieser Maschine beträgt 16 (sechzehn) Jahre.
- 30) Nicht neben Gräben arbeiten, deren Rand unter dem Gewicht der Maschine nachgeben könnte, vor allem bei nassem, lockerem oder brüchigem Boden.

WEITERE SICHERHEITSRELEVANTE HINWEISE

Die oben aufgeführten Sicherheitshinweise könnten nicht ausreichen, um jedes Risiko zu vermeiden, falls sich der Benutzer nicht an den vorgesehenen Gebrauch dieses Mähers hält. Beachten Sie deshalb auch folgende Punkte.

- 31) Im Rückwärtsgang nur langsam fahren.
- 32) Es ist gefährlich bei hohen Motordrehzahlen die Hebel ruckartig zu betätigen.
- 33) Nur im Freien tanken und vor dem Tanken immer den Motor abstellen. Nicht rauchen und nicht in der Nähe von offenen Flammen oder Funken tanken. Nach dem Tanken, Treibstofftank und Treibstoffbehälter wieder gut verschließen.
- 34) Den Treibstofftank bei Bedarf immer nur im Freien entleeren.
- 35) Nicht auf Schotter mähen, da der Schotter angesaugt und von den Messern herumgeschleudert wird, was sehr gefährlich ist.
- 36) **VORSICHT:** Um Brandgefahr zu vermeiden, müssen der Motorraum, der Auspufftopf, die Auspuffkrümmen, die Batterie, der Bereich um den Treibstofftank und die Treibstoffleitungen immer frei von Gras, Blättern, Staub, usw. gehalten werden.
- 37) Die Maschine darf nicht in einem Gebäude abgestellt werden, in dem die Treibstoffdämpfe mit Flammen, Funken oder freiliegenden Stromleitungen in Kontakt kommen könnten.

Wenn Sie diese Maschine benutzen, befolgen Sie diese Bedienungsanleitung. Wenn Sie diese Regeln nicht befolgen, lehnt der Hersteller alle Haftung ab.

Um die Klingen zu ersetzen oder zu schleifen, benutzen Sie immer Handschuhe und Schutzbrille; damit vermeiden Sie die Gefahr von Verletzungen.

Überprüfen Sie immer den Zustand der hinteren Schutzvorrichtung gegen Steinwürfe, um Verletzungen des Maschinenführers zu vermeiden.

Versichern Sie sich immer über den Zustand der Befestigungsbolzen der Klingen. Schadhafte Bolzen müssen ersetzt werden.

Versichern Sie sich immer vor Arbeitsbeginn, dass die Messer, die Bolzen und alle schneidenden Teile nicht abgenutzt oder beschädigt sind. Falls nötig, ersetzen Sie die abgenutzte oder beschädigte Teile.

Gefahren, die mit dem Bodenzustand verbunden sind:

- 1. Bei starken Steigungen des Geländes muss der Maschinenführer auf einen sicheren eigenen Stand achten, um ein Kippen des Mähers zu verhindern.**
- 2. Hoch gewachsenes Gras überdeckt natürliche Gegenstände wie z. B. Gesteine, Baumstümpfe oder andere Fremdkörper wie Flaschen und Pflöcke. Diese Hindernisse können wie gefährliche Geschosse wirken und das Mähdeck beschädigen.**

Wenn Sie den Mäher stehen lassen, schalten Sie immer den Motor ab.

Wer diese Bedienungsanleitung nicht gelesen hat, darf diese Maschine nicht benutzen.
Besondere Vorsicht ist geboten an Hängen mit nassem Gras, denn es besteht Rutschgefahr!
Wenn Sie die Maschine auf anderen Fahrzeugen transportieren, schalten Sie den Motor ab.

IDENTIFIKATION DER MASCHINE UND KUNDENDIENST



Auf der untersten Seite des Motors befindet sich eine Plakette mit der Seriennummer, dem Fabrikationsjahr und der Modell der Maschine.

KUNDENDIENST

In diesem Handbuch finden Sie Anleitungen für den korrekten Gebrauch Ihrer Maschine und die vom Benutzer allein durchführbaren Wartungsarbeiten. Für alle nicht in diesem Handbuch beschriebenen Eingriffen und Arbeiten wenden Sie sich bitte an Ihren Grillo-Händler.

ERSATZTEILE

Verwenden Sie ausschließlich Original-Ersatzteile, da diese unter sicherheitsrelevantem und montagetechnischem Standpunkt keine Probleme bereiten. Bei der Ersatzteilebestellung immer die Seriennummer der Maschine und die Ersatzteilnummer angeben.
Für die Ersatzteile des Motors die Hinweise im Motor-Handbuch beachten.

GARANTIE

Es gelten die gesetzlichen Garantiebedingungen. Der Händler muss eine Kopie der Garantie-Karte der Maschine dem Kunden geben. Die Kopie kann von der Grillo Webseite heruntergeladen werden.
Für den Motor gelten die vom jeweiligen Hersteller vorgesehenen Garantiebedingungen.

ERSATZTEILE, DIE SIE IMMER ZUR HAND HABEN SOLLTEN

- 2 Messer
- 2 Schrauben für die Messer
- 2 Muttern für die o.a. Schrauben

TECHNISCHE DATEN

MOTOR:- HONDA **GXV340** OHV 337 cc, 8,9 PS, 6,6 Kw (mit 3600 U.p.M) Einzelzylinder 4-Takt, Benzin mit Ölpumpe.

ANLASSER: Reversierstarter

GETRIEBE: Hydrostatischer Antrieb

GESCHWINDIGKEIT: stufenlos regelbar vorwärts max. 6km/h, rückwärts max.3,5 km/h.

LEISTUNG PRO STUNDE: 2500 m²/h

SCHNITTHÖHE: 50 –150 mm mit Hebel stufenlos verstellbar.

SCHNITTBREITE: 780 mm.

ANTRIEBSRÄDER: TRACTOR-Räder 4.00-8, 4 Einlagen.

DIFFERENTIALSPERRE: Einschalten/Ausschalten manuell.

VORDERRAD: Anti-Pannen-Vollreifen 8x3.00-4

MÄHDECK: Mit Heckauswurf und Frontabdeckung zum Hochklappen.

MESSERUMLAUFGESCHWINDIGKEIT: 74 m/sec.

MÄHDECK-TYP: Rotationsmesser mit 2 einspringenden und stoßdämpfenden Messerköpfen.

LENKHOLM: Vom Lenker aus vertikal und seitlich verstellbar

ABMESSUNGEN: Länge 2150 mm - Breite 845 mm - Höhe 1050 mm.

GEWICHT: 140 kg.

INBETRIEBNAHME DER MASCHINE

- 1) Die Maschine auf Transportschäden untersuchen.
- 2) Ölstand von Motor und hydrostatischen Getriebe überprüfen.
- 3) Reifendruck kontrollieren: 1,5 bar.
- 4) Drehen Sie den Lenkholm in Arbeitsposition.
- 5) Bauen Sie die Stütze des Vorderrades an (Abb. 5).
- 6) Die Befestigungsschrauben und Einstellschraube des Frontrad-Halters sehr gut befestigen. Die Buchse im Halter muss sich blockieren.

EINFAHREN - VORSICHT!

Nach den ersten 20 Betriebsstunden das Motoröl auswechseln.

Vergewissern Sie sich, dass es kein Ölverlust gibt, und alle Schrauben, vor allem die Befestigungsschrauben des Messers gut angezogen sind. Nach den ersten Betriebsstunden, stellen Sie sowohl den Motor-Riemen des Mähwerks als auch der Messerbremse ein (Abb. 6 - Abb. 7).

BETRIEBSANLEITUNG

Vor dem Anlassen des Motors immer die folgenden Kontrollen durchführen:

- Motorölstand kontrollieren (Abb. 8, A) – (siehe Motorhandbuch).
 - Die Luftgitter für die Motorkühlung müssen sauber sein (Abb. 10).
 - Der Luftfilter muss sauber sein (Abb. 1 Nr. 13) – (siehe Handbuch).
 - Das Mähdeck muss sauber sein.
 - Die Kühlungs-Flügel des hydraulischen Motors müssen sauber sein (Abb. 14).
 - Die Messer müssen scharf und gut befestigt sein.
- Zum Einfüllen des Treibstoffs benutzen Sie einen Trichter und frisches Benzin (Abb. 1 Nr. 12).

ANLASSEN DES MOTORS

- Den Gashebel auf Mittelstellung stellen (Abb. 1, Nr. 4).
- Bei kaltem Motor den Starter benutzen und das Gashebel bis zum Endanschlag drücken.
- Ziehen Sie den Reversierstarter mit Kraft, um den Motor anzulassen (Abb. 1, Nr. 11).
- Sobald der Motor angesprungen ist, den Starter wieder in Nullstellung schieben, und den Motor einige Minuten lang warmlaufen lassen.

BEGINN DER ARBEIT

- Die Schnitthöhe mit Hilfe der Kurbel (Abb. 1 Nr. 10) einstellen. Die zwei Hebel drücken (Abb. 1, Nr. 1) und den Hangriff für die Zapfwelle betätigen (Abb. 1, Nr. 2 - auf dem Bild ist die Zapfwelle NICHT eingelegt). Den Fahrhebel sanft betätigen (Abb. 1, Nr. 3) und mit dem Mähen beginnen. Zum Anhalten die beiden Hebel loslassen (Abb. 1, Nr. 1). Die Messerrotation wird automatisch abgeschaltet.
- Der Hebel (Abb. 1, Nr. 3) dient dazu, die Arbeitsgeschwindigkeit zu wählen und auch den Rückwärtsgang zu wählen: Wenn der Hebel nach vorne verschoben wird, wählt man die Vorwärtsgeschwindigkeit, wenn der Hebel nach hinten verschoben wird, wählt man den Rückwärtsgang. Wenn beide Hebel losgelassen werden (Abb. 1, Nr. 1), kommt der Hebel im Rückwärtsgang (Abb. 1, Nr. 3) automatisch zur Position STOP zurück.
- Auf einer Seite von dem Vorwärts/Rückwärtshebel (Abb. 1, Nr. 3) befindet sich ein Druckknopf (Abb. 1, Nr. 9), der den Vorwärtshebel sanfter oder harter macht. Die Maschine ist mit einer Vorrichtung ausgestattet, die den Rückwärtsgang automatisch ausschaltet. Diese Vorrichtung muss nie blockiert werden.

PARKIERBREMSE

Um die Maschine korrekt abzustellen, benutzen Sie den Bremshebel. Auf der Position A (Abb. 12, A) ist die Bremse nicht aktiviert. Die Parkierbremse immer aktivieren, vor allem wenn die Maschine auf Neigungen stehen gelassen wird.

DIFFERENTIALSPERRE

Die Differentialsperre wird durch die Betätigung des Hebels (Abb. 2, D) eingeschaltet und bleibt dauerhaft eingeschaltet, indem man den Blockierhebel benutzt (Abb. 2, B). Die Differentialsperre immer benutzen, wenn eines der Antriebsräder oder beide durchdrehen. Um die Bodenhaftung der Räder zu gewährleisten, die Differentialsperre an steilen Hängen und an Quergelände einlegen. Es ist auch möglich, das Vorderrad gerade zu blockieren, indem man die Vorrichtung benutzt (Abb. 1, Nr. 18). **VORSICHT!** Die Differentialsperre bei Kurvenfahrt ausschalten. Die Differentialsperre und deren Ketten sind regelmäßig zu schmieren, indem man die Haube durch die zwei obere Schrauben entfernt (Abb. 12, D).

EINSTELLUNG DER MASCHINE

Um die Keilriemenspannung des Messerantriebs einzustellen, benutzen Sie die Einstellschraube (Abb. 7, C) und beschränken Sie die Entspannung der Ausgleichsfeder auf 2 mm. Die Messerbremse besteht aus einem Bremsblock (Abb. 7, B) und ist auf einem Federsattel befestigt (Abb. 7, A). Das Abkoppeln von der Riemenscheibe während der Arbeit muss minimal sein und darf erst nur vor dem Moment erfolgen, wenn der Keilriemen über der Leitrolle des Zapfwellenantriebs kraftschlüssig wird. Diese Leitrolle kann durch die Schraube eingestellt werden (Abb. 6, A).

HINWEISE ZUM GEBRAUCH DER MASCHINE

- 1) Den Motor niemals überanstrengen. Wenn Rauch aus dem Auspufftopf austritt, wird der Motor zu stark beansprucht und es muss unbedingt langsamer gefahren werden.
- 2) Die Maschine nicht im Regen stehen lassen.
- 3) Die Klingen regelmäßig nachschleifen. Dadurch wird den Schnitt besser und der Motor geschont.
- 4) Beim Mähen den Motor auf maximaler Drehzahl halten, und die Geschwindigkeit der Grashöhe entsprechend anpassen.
- 5) **Die Gitter über dem Motor und die Kühlrippen des hydraulischen Motors sauber halten (Abb. 10 und Abb. 14).**

EINSTELLEN DER SCHNITTHÖHE

Die Schnitthöhe wird mit Hilfe der Kurbel (Abb. 12, B) eingestellt. Das Mähdeck kann auf verschiedenen Schnitthöhen von 50 bis 150 mm eingestellt werden. Auf unebenem Gelände sollte das Mähdeck auf die höchste Position eingestellt werden, damit das Messer nicht den Boden streift. Die Kurbel durch die Verriegelung blockieren (Abb. 12, C).

WARTUNG UND SCHMIERUNG

ACHTUNG!

- Vor jedem Reinigungs-, Wartungs- oder Reparaturingriff das Zündkabel von der Zündkerze trennen. Zweckmäßige Arbeitskleidung und Arbeitshandschuhe tragen.
- Wenn die Maschine oder ein Teil der Maschine angehoben wird, benutzen Sie immer geeignete Arbeitsmittel wie z.B. Hubtische oder Radkeile.
- Wenn Sie Wartungsoperationen an der Maschine durchführen, lassen Sie die angehobene Maschine nie in ungesicherten Zustand (ohne Radkeile) und unbewacht, vor allem an einem Ort, wo unerfahrene Personen oder Kinder leichten Zugang zur Maschine haben können.
- Altöl, Benzin und andere umweltverschmutzende Produkte ordnungsgemäß entsorgen!
- Eine gute Wartung und eine korrekte Schmierung halten den Mäher stets funktionstüchtig und einsatzbereit.

VORSICHT!

Um zum hydrostatischen Antrieb zu gelangen, nehmen Sie die Haube weg, indem Sie die zwei oberen M8-Schrauben lösen (Abb. 12, D).

MOTOR

Für die Schmierung die im Motor-Handbuch aufgeführten zeitlichen Angaben beachten. Das Öl muss auf jeden Fall **nach den ersten 20 Arbeitsstunden** gewechselt werden. Besonders wichtig ist, dass der Motor korrekt gewartet wird: Luftfilter, Kühlrippen und Kopf müssen sauber gehalten werden, der Motorölstand muss stimmen. Den Luftfilter mindestens alle 4 Stunden kontrollieren, in staubigen Umgebungen auch häufiger (Abb. 1, Nr. 13). Das Ansauggitter für die Motorkühlung überprüfen (Abb. 10).

HYDROSTATISCHE ACHSE

Bei kaltem Motor das Expansionsgefäß kontrollieren; es muss leer sein (Abb. 9, A). Die Kühlrippen des hydraulischen Motors jeweils nach 4 Arbeitsstunden reinigen; im Sommer und/oder bei sehr viel Staub, die Kühlrippen häufiger reinigen (Abb. 14). Das Öl nach den ersten 50 Arbeitsstunden

und danach alle 200 Stunden wechseln; verwenden Sie dazu 10W60 und zwar 1,85 l. Für den Ölwechsel befolgen Sie die folgenden Schritte:

- 1) Die beiden Verschlüsse abnehmen (Abb. 15).
- 2) Mit einem Schraubenzieher den Verschluss (Abb. 17, A) entfernen und Öl ablassen.
- 3) Die beiden Verschlüsse (Abb. 15) einschrauben (Anzugsmoment 13-17 Nm).
- 4) Das Öl einfüllen und danach den Verschluss wieder einsetzen (Abb. 17, A).
- 5) Das Expansionsgefäß über dem hydrostatischen Getriebe muss leer sein und der Ölspiegel (des kalten Hydrauliköls) muss 12 mm unterhalb des Bodens des Expansionsgefäßes sein. (Abb. 9, A).

SCHMIERUNGSPUNKTE

Nach jeweils 50 Arbeitsstunden den Zapfen des vorderen Rades (Abb. 5, A) und den Riemenbefestiger (Abb. 8, B) einfetten. Die Gelenke des Lenkholms, die Kabel, die Ketten und die Differentialsperre regelmäßig einfetten.

ÜBERPRÜFUNG VON MÄHDECK UND MESSERN

Ein stumpfes Messer schneidet das Gras nicht ab, sondern reißt es ab, was ein unschönes Schnittbild zur Folge hat. Beide Schneiden mit einem Schleifstein mittlerer Korngröße nachschleifen. Sollten Sie ein anormales Zittern der Maschine bemerken, vergewissern Sie sich, dass das Messer ausgewuchtet ist, indem Sie es mit einem im mittleren Loch eingesteckten Rundeisen halten. Zum Ausbauen das Messer mit Schutzhandschuhen festhalten und die mittlere Schraube herausdrehen. Vorsicht, es handelt sich um die rechtsgängige Schraube (Abb. 13). Für die Montage der beiden Messer siehe Schema (Abb. 13).

VORSICHT!

Die Befestigungsschraube fest anziehen (Abb. 13, A). Beschädigte oder verbogene Messer sofort auswechseln. Versuchen Sie nicht sie zu reparieren! Für die Montage befolgen Sie das Schema (Abb. 13, B) **AUSSCHLIEßLICH ORIGINAL-MESSER VERWENDEN!** Vergewissern Sie sich immer, dass die Bolzen der Schneide nicht abgenutzt oder beschädigt sind.

KEILRIEMEN FÜR DEN MESSERANTRIEB

Die Riemen Spannung wird mit Hilfe der Spannvorrichtung eingestellt (Abb. 7, C), die sich neben der Keilriemenscheibe von der Messerachse befindet. Während der Arbeit muss sich die Feder um 2 mm dehnen können (Abb. 7, A). Sollte sich der Keilriemen aufwickeln oder aus der Rille der Keilriemenscheibe herausspringen, ist die Ausrichtung der Keilriemenscheibe zu kontrollieren. **VORSICHT!** Die Riemenführungen müssen derart positioniert werden, dass sie den Keilriemen unter Spannung nie anfassen (Abb. 19).

KEILRIEMEN FÜR DIE HYDROSTATISCHE ACHSE

Überprüfen Sie die Spannung der Feder. Zum Auswechseln muss die Spannfeder ausgehängt werden (Abb. 16, A).

ROTATION DES MESSERS

Für das Einschalten/Ausschalten des Messers, benutzen Sie den Hebel (Abb. 1, Nr. 2): Wenn Sie den Hebel loslassen, schaltet sich das Messer aus (Abb. 1, Nr. 1). Beim Einschalten muss der Motor mit halber Kraft arbeiten und die Maschine darf nicht auf dem zu schneidenden Gras stehen. Das Ausschalten erfolgt, wenn Sie den Hebel loslassen (Abb. 2, A). Das Messer muss innerhalb von 5 Sekunden stehen bleiben; andernfalls muss die Bremse durch die Lastfeder (Abb. 6, A) eingestellt werden und eventuell der Bremskörper ausgetauscht werden (Abb. 7, B).

Wichtig: Diese Operation muss nur in einem autorisierten Grillo-Kundendienstzentrum vorgenommen werden.

AUSWECHSELN DER KEILRIEMEN

Die Übertragung der Bewegung des Motors auf das Hydraulikgetriebe und auf die Messer erfolgt über zwei Keilriemen. Diese Keilriemen müssen ausgewechselt werden, sobald deren Abnutzung sichtbar wird. Das Auswechseln und nachfolgende Einstellen der Keilriemen erfordert Fachkenntnisse und muss daher von einem Grillo-Kundendienstzentrum vorgenommen werden.

Für den Keilriemen, der den Motor mit dem Mähdeck verbindet, müssen die zwei Riemenführungen auf der Achse der Motor-Riemenscheibe weggenommen werden (Abb. 19).
(**Hinweis:** Die Feder muss wieder in den Ring eingehakt werden – Abb. 7, A).

IMMER ORIGINAL-ERSATZRIEMEN VERWENDEN!

VORRICHTUNG ZUM AUSKUPPELN DES ANTRIEBS

Der Hebel zum Auskuppeln des Antriebs befindet sich auf einer Seite der Maschine unter der hinteren Verkleidung (Abb. 1, Nr. 16). Sollte die Maschine eine Panne haben und deshalb von Hand geschoben werden müssen, legen Sie den Leerlauf ein durch Kippen des Hebels. In der internen Stellung ist die Maschine auf Leerlauf.

ZUSAMMENFASSENDE WARTUNGSTABELLE

ARBEIT		NACH JEDEM GEBRAUCH	NACH DEN ERSTEN 20 STUNDEN	JEWELNS NACH 50 STUNDEN	JEWELNS NACH 100 STUNDEN	JÄRLICH ODER JEWELNS NACH 200 STUNDEN
Motoröl	das Niveau überprüfen	•				
	wechseln		•		•	
Luftfilter	überprüfen	•				
	wechseln					*
Zündkerze	überprüfen/einstellen				•	
	wechseln					•
Zapfwelle-Riemen	die Spannung überprüfen		•		•	
	wechseln					*
Überprüfen Sie, dass: - das Ansauggitter des Motors sauber ist - die Kühlrippen des hydraulischen Motors sauber sind		•				
Öl im Hydraulikantrieb	das Niveau überprüfen			•		
	wechseln			• (erster Wechsel)		•
Überprüfen Sie, dass die Messer gut geschärft und befestigt sind.			•	•		
Einfetten			•	•		

• empfohlene Operation

* nur wenn notwendig durchführen

LISTE DER HÄUFIGSTEN STÖRUNGEN UND DEREN BEHEBUNG

URSACHE	STÖRUNG ABHILFE
Der Motor hat Schwierigkeiten beim Starten oder läuft unregelmäßig	
<ul style="list-style-type: none"> - Vergaserprobleme - Schmutziger Treibstoff - Zündanlage ist defekt 	<ul style="list-style-type: none"> - Luftfilter reinigen oder auswechseln - Vergaser einstellen (siehe Motorhandbuch) - Tank entleeren und frisches Benzin nachfüllen - Benzinflter kontrollieren und ggf. auswechseln - Das Entlüftungsloch im Tankdeckel ist verstopft, und muss gereinigt werden. - Befestigung des Zündkerzensteckers kontrollieren - Abstand und Zustand der Elektroden kontrollieren
Motorleistung sinkt beim Mähen	
<ul style="list-style-type: none"> - Für die Schnitthöhe zu hohe Geschwindigkeit 	<ul style="list-style-type: none"> - Langsamer fahren - Schnitthöhe höher stellen
Schlechtes, unregelmäßiges Schnittbild	
<ul style="list-style-type: none"> - Mähdeck liegt nicht parallel zum Boden - Messer schneiden schlecht 	<ul style="list-style-type: none"> - Reifendruck kontrollieren - Messer-Montage überprüfen - Messer nachschleifen oder auswechseln - Spannung des Riemens vom Motor zum Mähdeck überprüfen
Vibrationen beim Arbeiten	
<ul style="list-style-type: none"> - Messer sind nicht ausgewuchtet 	<ul style="list-style-type: none"> - Befestigungsschrauben sind locker- Messer auswuchten und ggf. beschädigte Messer auswechseln. - Befestigungsschrauben von Messern, Motor und Rahmen kontrollieren und ggf. nachziehen.

DIE MASCHINE BLEIBT NICHT IM LEERLAUF

Die Vorrichtung einstellen (Abb. 20, A), die Gegenmutter lockern und die mittlere Schraube drehen.

NACH DER ARBEIT

Nach dem Mähen, den Hebel loslassen, um das Messer abzuschalten (Abb. 1, Nr. 2) und auf dem Rückweg das Mähdeck ganz nach oben anheben, indem Sie den Hebel benutzen (Abb. 1, Nr. 1). Zum Anhalten die Vorwärtshebel loslassen (Abb. 1, Nr. 1). Um den Motor auszuschalten, stellen Sie den Gashebel auf die Stop-Position (Abb. 4, C).

EINLAGERUNG UND LÄNGERE NICHTBENUTZUNG

Die Maschine an einem trockenen, vor Witterungseinflüssen geschützten Ort abstellen und möglichst mit einem Tuch abdecken. Befolgen Sie die im Motorhandbuch enthaltenen Hinweise. Sollte die Maschine für länger als 30 Tage nicht benutzt werden, entleeren Sie den Kraftstoffbehälter, um die Bildung von Ölrückständen in der Kraftstoffanlage oder im Vergaser zu vermeiden. Wenn Sie diese Operation vermeiden möchten, es ist möglich den Kraftstoff im Tank bis zum 12 Monaten aufzubewahren, indem Sie einen geeigneten Kraftstoff-Stabilisator benutzen. Fügen Sie den Kraftstoff-Stabilisator im Benzintank hinzu. Den Motor eine Weile laufen lassen, damit der Stabilisator in die Kraftstoffanlage fließen kann. Wenn das Benzin Alkohol enthält, lassen Sie den Motor laufen, bis den Kraftstoff aufgebraucht ist.

HINWEISE ZUM TRANSPORT DER MASCHINE

Wenn die Maschine auf einem LKW oder Anhänger transportiert wird, stellen Sie das Mähdeck auf die niedrigste Position, aktivieren Sie die Parkierbremse (Abb. 1, Nr. 17) und befestigen Sie die Maschine am Fahrzeug mit Zurrgurten oder Seilen. Die Maschine verfügt über 3 Klemmpunkte: ein Klemmpunkt befindet sich im vorderen Teil der Maschine auf dem Radhalter, die zwei anderen befinden sich auf dem Rahmen im hinteren Teil der Maschine (Abb. 1, Nr. 19).

DESBROZADORA HYDROSTATICA

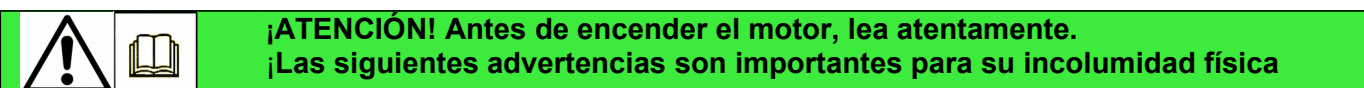
GRILLO CL75

Estimado cliente,

le agradecemos por la confianza y la preferencia que ha mostrado por nuestro **GRILLO CL75**, y confiamos que el uso de su nueva máquina responda plenamente a sus exigencias. Para un empleo óptimo y un perfecto mantenimiento, le rogamos lea atentamente las indicaciones de este manual y procure seguirlas escrupulosamente, ello le permitirá obtener los máximos resultados y salvaguardar su compra. Le rogamos conserve siempre este manual junto con la máquina.

DESCRIPCIÓN GENERAL Y USO PREVISTO

La máquina Grillo CL75 es un cortacesped con operador a pié construido para cortar la hierba y malezas, en terrenos pendientes e irregulares.



NORMAS DE PREVENCIÓN DE ACCIDENTES

La prudencia es el arma principal para prevenir los accidentes.

Le rogamos que lea con atención las siguientes advertencias antes de iniciar el trabajo con la desbrozadora.

El uso incorrecto de la máquina y de su equipamiento puede resultar dañoso; para limitar estas posibilidades adopte las precauciones necesarias que se indican a continuación:

- 1) Leer todo el manual, antes de encender y poner en funcionamiento la desbrozadora.
- 2) Prestar especial atención a las prohibiciones y a las etiquetas de seguridad colocadas en la máquina.
- 3) Antes de permitir que otras personas trabajen con el cortacésped, es preciso informarles sobre las normas de seguridad y cómo se utiliza la desbrozadora.
- 4) Antes de empezar el trabajo, ponerse prendas de trabajo adecuadas, guantes, botas y gafas.
- 5) Durante el trabajo, utilizar los dispositivos adecuados de protección acústica (cascos).
- 6) Antes de poner en marcha la máquina controle que no haya personas alrededor, **sobre todo niños.**
- 7) Antes de arrancar en marcha atrás controle que no haya personas ni obstáculos.
- 8) Controlar el terreno antes de proceder con el corte: quitar piedras, maderas o cuerpos extraños, que podrían dañar la máquina o ser arrojados lejos y, por lo tanto, resultar muy peligrosos.
- 9) En caso de choque contra un cuerpo extraño, desembrague la cuchilla, apague el motor e inspeccione la desbrozadora; en caso de vibraciones anómalas, hay que llevarla a un Centro de Asistencia Autorizado.
- 10) Durante el trabajo mantener las personas **a una distancia de al menos 15 metros.**
- 11) Sobre terrenos irregulares, avanzar a baja velocidad.
- 12) Cuesta abajo, reducir la velocidad.
- 13) Cuesta abajo, entre siempre lentamente en las curvas
- 14) El usuario siempre es responsable de los daños causados a terceras personas.
- 15) Las cuchillas deformadas o arruinadas tienen que ser siempre cambiadas y nunca arregladas.
- 16) Utilice siempre repuestos y accesorios originales Grillo.
- 17) Trabaje sólo con la luz natural o con luz artificial muy buena.
- 18) Guarde el carburante en contenedores especialmente fabricados para dicho uso.
- 19) Preste atención cuando trabaje cerca de una carretera.
- 20) Deje enfriar el motor antes de estacionar la máquina en lugares cerrados.
- 21) No utilice la máquina cuando esté cansado o haya tomado bebidas alcohólicas.
- 22) Evite derrames de combustible y, tras haber llenado el depósito, limpie cualquier derrame antes de arrancar el motor.
- 23) No manipule o desactive los dispositivos de seguridad.
- 24) Se prohíbe cambiar las regulaciones del motor, en particular el número máximo de revoluciones.
- 25) Utilice la máquina con las protecciones para-piedras.
- 26) No haga ningún tipo de regulación o limpieza con el motor encendido.

- 27) No permita que terceros controlen la máquina cuando esté conduciendo o con el motor en marcha. Desconecte la bujía también.
- 28) La rotación de la cuchilla es sumamente peligrosa, **nunca poner las manos o los pies debajo del plato de corte.**

EVITAR LOS USOS INCORRECTOS

- 29) No deje trabajar a personas demasiados jóvenes: se prohíbe el uso a menores de 16 años.
- 30) No trabaje con la desbrozadora cerca de fosos o muelles que se pueden romper bajo el peso de la máquina, especialmente cuando la superficie está mojada.

MEDIDAS PREVENTIVAS COMPLEMENTARIAS

Las advertencias citadas arriba podrían no ser suficientes al fin de evitar cualquier riesgo, en el caso de que el operador no respete el uso apropiado de la máquina cortacésped. Por eso, añadimos las medidas preventivas de seguridad que se dan a continuación.

- 31) No haga marcha atrás con el motor acelerado.
- 32) Es peligroso accionar las palancas de dirección bruscamente, con el motor en velocidad máxima.
- 33) Haga el abastecimiento sólo al aire libre, apague siempre el motor y manténgase alejado de chispas o llamas, ¡No fume! Cierre bien el tapón del depósito y de los contenedores de carburante.
- 34) Si es necesario vaciar el depósito de carburante, haga la operación al aire libre.
- 35) No trabaje con la desbrozadora sobre la grava, porque sería aspirada y centrifugada por la cuchilla y podría causar graves peligros.
- 36) **¡ATENCIÓN!** Para reducir el peligro de incendio, mantenga el alojamiento del motor, el tubo de escape, los colectores de escape, la batería, la zona del depósito y de los conductos del carburante libres de hierbas, hojas, polvo, etc...
- 37) No almacene la máquina al interior de un edificio donde los vapores del carburante puedan llegar hasta llamas, chispas o cables eléctricos descubiertos.

Para el utilizo de esta máquina siempre hay que seguir cuidadosamente las recomendaciones contenidas en este manual. El fabricante declina cualquier responsabilidad en caso de que no se respeten las mismas.

Para la sustitución y el afilado de las cuchillas, utilicen los guantes y las gafas para evitar riesgos de heridas. Comprobar a menudo la condición de la protección para-piedras posterior al fin de evitar que el cortado golpee al operador.

Comprobar el nivel de usura de las tuercas de fijación de las cuchillas. Si necesario, remplazarlas.

Antes de empezar el trabajo, asegúrese siempre que la cuchilla, sus tuercas y todas las partes cortantes no sean dañadas o desgastadas. Si necesario, remplazarlas.

Riesgos que pueden provenir del suelo:

- 1) **Cuando el terreno es muy inclinado;**
- 2) **Cuesta arriba el riesgo de caída del operador podría causar el retroceso de la máquina y crear una situación de peligro;**
- 3) **Cuando en el terreno son presentes objetos naturales y extraños como rocas, piedras, cepas de árbol, botellas, pedazos de hierro, palos y cualquier cuerpo extraño; estos obstáculos pueden transformarse en peligrosos proyectiles y solicitar el aparato de corte de manera imprevisible: hay que evitarlos.**

Antes de dejar el puesto de conducción, apagar el motor.

No deje utilizar la desbrozadora a personas que ignoran las instrucciones.

En pendientes con hierba mojada, prestar la máxima atención.

En caso de transporte por medio diferente de su propia propulsión, apague el motor.

IDENTIFICACIÓN Y ASISTENCIA



IDENTIFICACIÓN

La desbrozadora CL75 está equipada de una placa con el número de bastidor, posicionada en la base del motor.

SERVICIO Y ASISTENCIA

Este manual proporciona las instrucciones para el uso y un correcto mantenimiento de base de la desbrozadora. Para obtener información acerca de las intervenciones no descritas en este manual, se ruega ponerse en contacto con el Revendedor local.

REPUESTOS

Se recomienda utilizar exclusivamente repuestos originales, los únicos que ofrecen características de seguridad y posibilidad de intercambio. Cada pedido debe ser acompañado por el número de bastidor de la máquina y la referencia de la pieza a sustituir. Para los repuestos del motor, atenerse a las indicaciones del manual correspondiente.

GARANTÍA

La garantía es ofrecida en los modos y dentro de los límites previstos por la ley en vigor. El revendedor tiene que entregar el certificado de garantía de la máquina al cliente final, imprimiendo una copia de la registración del sitio Internet Grillo. Por lo que respecta el motor, valen las condiciones previstas por los respectivos fabricantes.

RECAMBIOS QUE SE RECOMIENDA TENER

- N. 2 cuchillas
- N. 2 tornillos de cuchilla
- N. 2 tuercas de tornillos cuchillas

CARACTERÍSTICAS TÉCNICAS

MOTOR: - HONDA **GXV 340** OHV, 337cc (a 3600 rpm) 8,9 Hp, 6,6Kw, gasolina 4 tiempos con bomba aceite.

ARRANQUE: de tiro con autoenvolvente.

TRANSMISIÓN: hidrostática.

VELOCIDAD: de 0 a 6 km/h con variación continua, y marcha atrás de 0 a 3,5 km/h.

CAPACIDAD HORARIA: 2500 m²/h.

ALTURA DE CORTE: desde 50 mm- hasta 150 mm, progresiva, con regulación rápida por manivela.

ANCHO DE CORTE: 780 mm.

RUEDAS MOTRICES: con neumáticos tipo Tractor 4.00-8, a 4 telas.

BLOQUEO DIFERENCIAL: con inserción manual.

RUEDA DELANTERA: maciza de grandes dimensiones: 8x3.00/4.

PLATO DE CORTE: con descarga posterior y abertura delantera basculante.

VELOCIDAD PERIFÉRICA CUCHILLA: 74 m/sec.

SISTEMA DE CORTE: una cuchilla rotativa, con terminales flotantes para-choques.

MANCERAS: con regulación rápida en altura y lateralmente.

DIMENSIONES: Largo 2150 mm, Ancho 845 mm, alto 1050 mm.

PESO: 140 kg

PUESTA EN SERVICIO DE LA MÁQUINA

- 1) Compruebe que la máquina esté íntegra y que no haya sufrido daños durante el transporte.
- 2) Verifique los niveles de aceite en el motor y en la transmisión hidrostática.
- 3) Verifique la presión de los neumáticos: 1,5 BAR.
- 4) Girar las manceras.
- 5) Montar el soporte de la rueda delantera (fig. 5).
- 6) Atornillar bien los tornillos de fijación y de registro del soporte rueda anterior. El casquillo interior tiene que bloquearse.

RODAJE - ¡ATENCIÓN!

Cambie el aceite motor la primera vez después de 20 horas de trabajo. Verifiquen que no se produzcan derrames de aceite y que los tornillos no estén aflojados, especialmente los tornillos que aseguran la cuchilla. Después de las primeras horas de funcionamiento, regule el freno cuchilla y la tensión de la correa motor – plato de corte (fig. 6 – fig. 7).

INSTRUCCIONES DE USO

Antes de poner en marcha el motor, controlar siempre que:

- el aceite del motor esté a nivel fig. 8, rif. A (atenerse a las indicaciones del manual correspondiente);
- las rejillas de aspiración para la refrigeración del motor estén limpias (fig.10)
- el filtro de aire esté bien limpio, (fig. 1 n° 13) (atenerse a las indicaciones del manual correspondiente);
- el plato de corte esté bien limpio;
- las aletas del motor hidráulico estén limpias (fig. 14);
- las cuchillas estén bien afiladas y fuertemente aseguradas;

Llenar el depósito de combustible sirviéndose de un embudo y utilizando gasolina fresca (fig. 1 n°. 12).

PUESTA EN MARCHA DEL MOTOR

- Empujar la manija del acelerador hasta la mitad de su recorrido (fig. 1, n°4)
- Si el motor está frío, accionar el dispositivo de estarter, empujando la palanca del acelerador hasta el final de carrera.
- Poner en marcha el motor, tirando con fuerza la manecilla del auto-envolvente (fig.1, n°11).
- Una vez en marcha el motor, desconectar el starter y esperar algunos minutos para calentar el motor.

INICIO DEL TRABAJO

- Seleccionar la altura de corte mediante el volante de mano (fig.1, n°10), acelerar el motor cuanto sea necesario, presionar las dos palancas (fig. 1, n. 1) e insertar la PTO (fig. 1, n. 2 – en la foto la PTO es desconectada). Activar la palanca de avance (fig. 1, n. 3) y empezar el trabajo. Para detenerse, soltar las dos manijas rojas situadas sobre las manceras (fig. 1, n. 1). La rotación de la cuchilla se desactiva automáticamente.
- La palanca (fig. 1, n. 3) sirve para seleccionar la velocidad de trabajo y también para seleccionar la marcha atrás: moviéndola hacia adelante se selecciona la marcha de avance, moviéndola hacia atrás la marcha atrás. Se recomienda accionarla moderadamente. Soltando las dos manijas (fig. 1, n. 1), la palanca en marcha atrás vuelve automáticamente a la posición de STOP.
- La dureza de la palanca de avance (fig. 1, n. 3) puede ser regulada por medio del pomo (fig. 1, n. 9) colocado al lado de la palanca misma. Como la máquina está equipada con un sistema que expulsa automáticamente la marcha atrás. Nunca bloquear este dispositivo.

FRENO DE ESTACIONAMIENTO

Para estacionar correctamente la máquina hay que insertar la palanca del freno. En la posición visible en fig. 12, rif. A, el freno está desactivado. Se recomienda injertar siempre el freno de estacionamiento, especialmente si se deja la máquina en terreno pendiente.

BLOQUEO DIFERENCIAL

El bloqueo diferencial se activa insertando la palanca (fig. 2, ref. D) y puede ser mantenido en su posición a través del inserto de mantenimiento (fig. 2, ref. B). Utilicen el bloqueo diferencial en caso de deslizamiento de las ruedas motrices. Es aconsejable utilizar el bloqueo diferencial también cuesta abajo, en terrenos muy pendientes y en el trabajo transversal en pendientes para mantener adherentes las dos ruedas motrices. Además es posible bloquear la rueda delantera en posición rectilínea por medio del mecanismo representado en fig. 1, n. 18. En el trabajo transversal en pendientes, el bloqueo diferencial resulta muy útil para obtener un movimiento uniforme de la máquina y para evitar el deslizamiento de la rueda delantera. **¡Atención!** No utilice el bloqueo diferencial en curva. Mantener lubricados con grasa acoplamiento y cadenas. Para ejecutar esta operación hay que quitar el capot destornillando los dos tornillos superiores (fig. 12, ref. D).

REGISTRACIÓN MÁQUINA

Para registrar la tensión de la correa de transmisión de la cuchilla hay que intervenir sobre el tornillo de regulación (fig. 7, ref. C) y mantener una extensión del resorte de compensación de 2 mm. El freno cuchilla se compone de un órgano en material de fricción frenante (fig. 7, ref. B). La distancia de la polea en fase de trabajo tiene que ser mínima y debe ser presente sólo en la fase final de la carrera del rodillo tensor de la TDF, que se regula por medio de un tornillo (fig. 6, ref. A).

REGLAS ÚTILES DE BUEN USO

- 1) Nunca forzar el motor: si sale humo del escape, la máquina se está esforzando; es necesario desacelerar.
- 2) No dejar la máquina a la intemperie.
- 3) Afilar las cuchillas frecuentemente; la calidad del corte será mejor y el motor se esforzará mucho menos.
- 4) Durante el corte, mantener el motor en régimen máximo, regular la velocidad en base a la altura del césped.
- 5) **Mantener limpias las rejillas situadas sobre el motor y las aletas de enfriamiento del motor hidráulico (fig.10 – fig.14).**

POSICIONES DE CORTE

Para regular la altura de corte, se utiliza la manivela (fig. 12, ref. B). La altura de corte puede variar de 50 a 150 mm. En presencia de terreno accidentado, cunetas o badenes, es oportuno trabajar con el plato en la posición de corte más alta para evitar choques por parte de la cuchilla. Bloquear la manivela en la posición deseada por medio del mecanismo en fig. 12, ref. C.

MANTENIMIENTO Y LUBRICACIÓN

¡ATENCIÓN!

- **Desconectar la bujía antes de iniciar cualquier operación de limpieza, mantenimiento o reparación. Llevar indumentaria apropiada y guantes de trabajo.**
- **Si fuera necesario levantar la máquina o parte de esa, utilizar siempre herramienta adecuada como soportes o ganchos de seguridad.**
- **No dejar la máquina en mantenimiento, sin dispositivos de seguridad o levantada en lugares accesibles a personas inexpertas, especialmente niños.**
- **Nunca desechar en el medio ambiente el aceite usado, la gasolina o cualquier otro producto contaminante.**
- **Un mantenimiento eficaz y una correcta lubricación contribuyen a mantener la máquina en perfectas condiciones.**

¡ATENCIÓN! Para acceder a la transmisión hidrostática es suficiente quitar la carena posterior, destornillando los dos tornillos M8 situados en la parte superior.

MOTOR

Para las operaciones de lubricación, seguir las normas incluidas en el manual del motor; de todos modos, es indispensable sustituir el aceite tras las primeras 20 horas de trabajo. La primera precaución consiste en que el motor esté correctamente mantenido con filtro de aire, aletas de enfriamiento y la culata motor limpias y aceite del motor a nivel. Controlar el filtro aire cada 4 horas o aún más frecuentemente si el medio ambiente es muy polvoriento (fig. 1, n. 13). Controlar la rejilla de aspiración del enfriamiento

del motor (fig. 10).EJE HIDROSTÁTICO

Controle que, con el motor frío, la cámara de expansión esté vacía (fig. 9, ref. A). Limpie cada 4 horas de trabajo las aletas de refrigeración del motor hidráulico. En verano y/o ante la presencia de mucho polvo, aún más frecuentemente (fig. 14). Cambie el aceite tras las primeras 50 horas de funcionamiento y sucesivamente cada 200 horas, utilizando 1,85L de aceite 10W60 y procediendo de la siguiente manera:

- 1) Quite los dos tapones (fig. 15).
- 2) Sirviéndose de un destornillador, remueva el tapón (fig. 17, rif.A).
- 3) Enrosque los dos tapones (fig. 15) con un par de torsión de 13-17Nm.
- 4) Cargue el aceite y vuelva a colocar el tapón (Fig.17, rif.A).
- 5) Controle que, con el motor frío, la cámara de expansión esté vacía. El nivel está 12 mm más abajo que el plano inferior de la misma (fig.9, ref. A).

PUNTOS DE LUBRICACIÓN CON GRASA

Lubricar con grasa cada 50 horas: el eje de la rueda delantera (fig.5, rif.A) y el tensor de correa (fig. 8, rif. B). Lubricar las articulaciones de las manceras, los cables, las cadenas y el embrague del bloqueo diferencial.

CONTROL CUCHILLA Y PLATO DE CORTE

Una cuchilla desafilada arranca el césped, dándole un aspecto desagradable. Es necesario que el afilado sea realizado siempre en los filos de las dos cuchillas. Afilan ambos filos mediante una muela de grano mediano. En caso de vibraciones anómalas, es necesario controlar el equilibrado de la cuchilla sosteniéndola con un eje introducido en el orificio central. Para desmontar una cuchilla, aferrarla fuertemente, utilizando guantes de trabajo y destornillar el tornillo central. ¡ATENCIÓN! El tornillo gira a la derecha (fig.13). Para montar las dos cuchillas seguir el esquema (fig.13).

ATENCIÓN!

Ajustar a fondo el tornillo de fijación (fig. 13, ref. A) Sustituir siempre las cuchillas dañadas o torcidas; ¡nunca tratar de repararlas! Para el montaje seguir el esquema (fig. 13, ref. B). ¡USAR SIEMPRE CUCHILLAS ORIGINALES! Verificar siempre visivamente que las tuercas de la cuchilla no sean deterioradas o dañadas.

CORREA MOTOR - CUCHILLA

La tensión se regula a través del registro (fig. 7, rif. C) situado cerca de la polea del eje cuchilla. Durante el funcionamiento, el muelle tiene que alargarse hasta 2 mm (fig. 7, rif. A). En caso de enroscamiento o de salida de la correa, es necesario controlar el alineado de las poleas. **Atención:** cuando se posicionen las guías de la correa hay que acercarlas a la correa, de manera que, cuando la correa está en tensión, no las debe tocar (fig. 19).

CORREAS MOTOR – EJE HIDROSTÁTICO

Controlar la tensión del muelle. Para su sustitución es necesario desenganchar el muelle de tensión (fig. 16, rif. A).

ROTACIÓN CUCHILLA

Para embragar y desembragar la rotación de la cuchilla, se utiliza la palanca (fig. 1, n. 2): soltando las palancas, la cuchilla se detiene (fig. 1, n. 1). Durante el embrague, el motor debe estar a régimen medio y la máquina no debe estar sobre el césped para cortar. El desembrague se produce soltando la palanca (fig. 2, ref. A). La cuchilla debe parar en cinco segundos; si ello no es así, registrar el freno interviniendo sobre el muelle de carga (fig. 6, rif. A). Si necesario, reemplazar el freno (fig. 7, rif. B).

Nota: esta operación debe ser efectuada por un Centro de Asistencia Autorizado.

SUSTITUCIÓN CORREAS

La transmisión del movimiento del motor a la transmisión hidráulica y a las cuchillas se obtiene mediante dos correas trapezoidales. **¡Sustituir las correas en cuanto se detecten signos de deterioramiento!** Su sustitución y las regulaciones sucesivas son bastante complejas y es indispensable que sean realizadas por un Centro Asistencia Autorizado. Para la correa motor-plato de corte, es necesario desmontar las guías en el eje de la polea motor (fig. 19). (**Nota:** es necesario re-enganchar el muelle al anillo – fig. 7, ref. A).

¡USAR SIEMPRE CORREAS ORIGINALES!
DISPOSITIVO DE DESBLOQUEO DE LA TRACCIÓN

El dispositivo de desbloqueo de la tracción está posicionado en la parte lateral de la máquina, debajo del carenado posterior (fig.1, n. 16). Si se verificase una avería en la máquina o para poder desplazarla a mano, traslarla hacia el interior de la máquina, poniéndola así en posición neutral.

TABLA RECAPITULATIVA MANTENIMIENTO						
INTERVENTOS		CADA UTILIZ O	PRIMERAS 20 HORAS	CADA 50 HORAS	CADA 100 HORAS	CADA 200 HORAS
Aceite motor	Controlar el nivel	●				
	Sustituir		●		●	
Filtro aire	Controlar	●				
	Sustituir					*
Bujía	Controlar/registrar				●	
	Sustituir					●
Correa PTO	Controlar tensión	●				
	Sustituir					*
Controlen que: - la rejilla de aspiración motor - las aletas del motor hidráulico sean limpias		●				
Aceite transmisión hidrostática	Controlar el nivel			●		
	Sustituir					●
Controlar afilado y fijación cuchillas			●	●		
Lubricar con grasa			●	●		
Controlar la batería				*		●

● intervención recomendada

* intervenir si necesario

GUÍA A LA IDENTIFICACIÓN DE LOS INCONVENIENTES

INCONVENIENTE

CAUSA	SOLUCIÓN
Puesta en marcha difícil o funcionamiento irregular del motor	
Problemas de carburación	<ul style="list-style-type: none"> - Limpie o sustituya el filtro de aire - Regle el carburador (siga las instrucciones del manual del motor) - Vacíe el tanque y emplee gasolina fresca
Depósitos o impurezas en el combustible	<ul style="list-style-type: none"> - Controle y, de ser necesario, cambie el filtro de gasolina - Controle que el agujero de purga del tapón del tanque no esté obstruido
Insuficiencia en el sistema de encendido	<ul style="list-style-type: none"> - Controle el fijado de los capuchones de las bujías - Controle la limpieza y la correcta distancia entre los electrodos
Calo del rendimiento del motor durante el corte	
Velocidad de avance elevada en relación con la altura de corte	<ul style="list-style-type: none"> - Aminorar la velocidad - Aumentar la altura de corte
Corte irregular	
Plato de corte no paralelo al terreno	<ul style="list-style-type: none"> - Controle la presión de los neumáticos - Controle que la cuchilla esté bien montada
Ineficacia de la cuchilla	<ul style="list-style-type: none"> - Afilado sustituya la cuchilla - Controle la tensión de la correa motor-plato
Vibraciones durante el funcionamiento	
Cuchillas desequilibradas	<ul style="list-style-type: none"> - Equilibre o cambie las cuchillas averiadas
Fijaciones flojas	<ul style="list-style-type: none"> - Controle y ajuste los tornillos de fijación de las cuchillas, así como los del motor y del bastidor

LA MÁQUINA NO MANTIENE EL STOP

Registrar el dispositivo (fig. 20, rif. A), aflojar la contra tuerca e intervenir en el tornillo central.

FIN DEL TRABAJO

Una vez terminado el corte del césped, soltar la palanca para desembragar la cuchilla (fig. 1, n. 2) y efectuar el trayecto de retorno con el plato de corte en posición de máxima altura, apretando la palanca (fig. 1, rif. 1). Para detenerse, soltar las palancas de avance (fig. 1, rif. 1). Para apagar el motor, llevar la manecilla del acelerador en la posición de STOP (fig. 4, rif. C).

ALMACENAMIENTO E INACTIVIDAD PROLONGADA

Guardar la máquina en un ambiente seco, al reparo de la intemperie, cubriéndola si posible con una lona. Atenerse a las indicaciones del manual del motor. Si se prevé un periodo prolongado de inactividad (superior a un mes), es necesario vaciar el motor del combustible para prevenir la formación de depósitos gomosos en el sistema de alimentación o en partes vitales del carburador. Si se quiere evitar esta operación, es posible prolongar la conservación del combustible en almacenamiento hasta 12 meses añadiendo el aditivo estabilizante para gasolina. Mezcle el aditivo al carburante en el depósito o en el recipiente del carburante. Ponga en marcha el motor por un tiempo para hacer circular el aditivo en el sistema de alimentación. Nota: si el motor lleva gasolina con alcohol, vacíe el depósito haciendo funcionar el motor hasta que se vacíe por completo.

ADVERTENCIAS POR EL TRANSPORTE

Si la máquina se transporta con un camión o un remolque, baje el plato de corte, accione el freno de estacionamiento (fig. 1, n. 17) y asegúrala al medio de transporte mediante cuerdas, cables o cadenas. La máquina está equipada de 3 puntos de fijación: uno anterior sobre el soporte de la rueda y dos posteriores sobre el chasis (fig.1, n. 19).

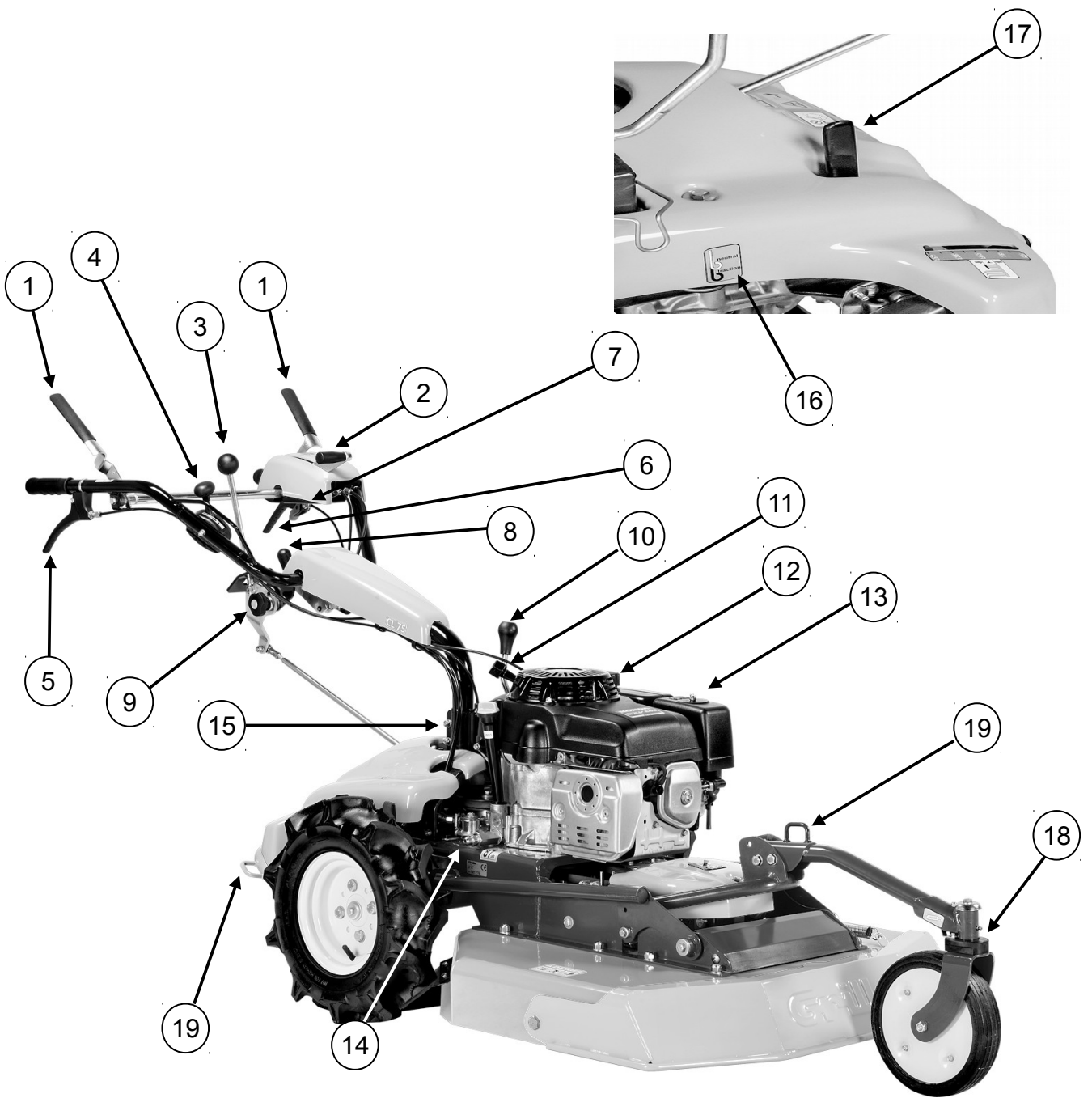


Fig. 1

LEGEND-LEGENDA-LEGENDE-ZEICHENERKLÄRUNG

1- Forward lever	1- Leva comando avanzamento	1- Levier avancement
2- P.T.O. lever	2- Leva comando PTO	2- Levier prise de force
3- Forward and reverse gear lever	3- Leva comando avanzamento/retromarcia	3- Levier d'avancement et marche arrière.
4- Throttle and switch lever	4- Manettino acceleratore e spegnimento motore	4- Levier accélérateur et calage
5- Handlebar side adjustment lever	5- Leva comando regolazione laterale stegola	5- Levier réglage latérale du mancheron
6- Differential lock lever	6- Leva bloccaggio differenziale	6- Levier blocage différentiel
7- Differential lock adjustment lever	7- Registro leva bloccaggio differenziale	7- Dispositif de réglage blocage différentiel
8- Handlebar vertical adjustment lever	8- Leva regolazione verticale manubrio	8- Levier réglage verticale du mancheron
9- Forward lever adjustment knob	9- Pomello regolazione durezza leva avanzamento	9- Pommeau de réglage dureté levier d'avancement
10- Cutting height adjustment device	10- Dispositivo di regolazione altezza di taglio	10- Dispositif réglage hauteur de coupe
11- Recoil starter	11- Accensione ad autoavvolgente	11- Démarrage à rappel automatique
12- Fuel tank cap	12- Tappo carburante	12- Bouchon du réservoir
13- Air filter	13- Filtro aria	13- Filtre à air
14- Oil drain plug	14- Dispositivo scarico olio	14- Bouchon vidange huile
15- Handlebar fastener device	15- Sistema di serraggio stegola	15- Dispositif de serrage mancheron
16- Parking brake lever (P)	16- Leva freno di parcheggio (P)	16- Levier frein de parking (P)
17- Traction release lever	17- Leva sblocco trazione	17- Levier deblocage traction
18- Front wheel lock device	18- Bloccaggio ruota anteriore	18- Blocage roue avant
19- Fastening points for transport	19- Punti di fissaggio per trasporto	19- Appuis de fixation pour transport
1- Kupplungs- und Getriebehebel	1- Palanca de avance	
2- Zapfwellehebel	2- Palanca PTO	
3- Vorwärtshebel	3- Palanca de avance/marcha atrás	
4- Gas-und-Schalthebel	4- Palanca acelerador/calado motor	
5- Hebel zur seitlichen Einstellung des Lenkholms	5- Palanca regulación lateral manceras	
6- Differenzialsperre-Hebel	6- Palanca bloqueo diferencial	
7- Einstellungshebel der Differenzialsperre	7- Registro palanca bloqueo diferencial	
8- Hebel zur senkrechten Einstellung des Lenkholms	8- Palanca regulación vertical manillar.	
9- Druckknopf Einstellung Vorwärtshebel	9- Pomo regulación palanca avance.	
10- Einstellungshebel der Schnitthöhe	10 – Dispositivo de regulación altura de corte	
11- Reversierstarter	11- Arranque de tiro con autoenvolvente	
12- Tankverschluss	12- Tapón combustible	
13- Luftfilter	13- Filtro aire	
14- Ölabfluss-System	14- Dispositivo descarga aceite	
15- Befestigungssystem für Lenkholm	15- Sistema fijación manceras	
16- Handbremse Hebel (P)	16- Palanca freno de estacionamiento (P)	
17- Hebel zum Auskuppeln des Antriebs	17- Palanca desbloqueo de la tracción	
18- Blockierung des Vorderrades	18- Bloqueo rueda delantera	
19- Befestigungspunkte für Transport	19- Puntos de amarre para el transporte	

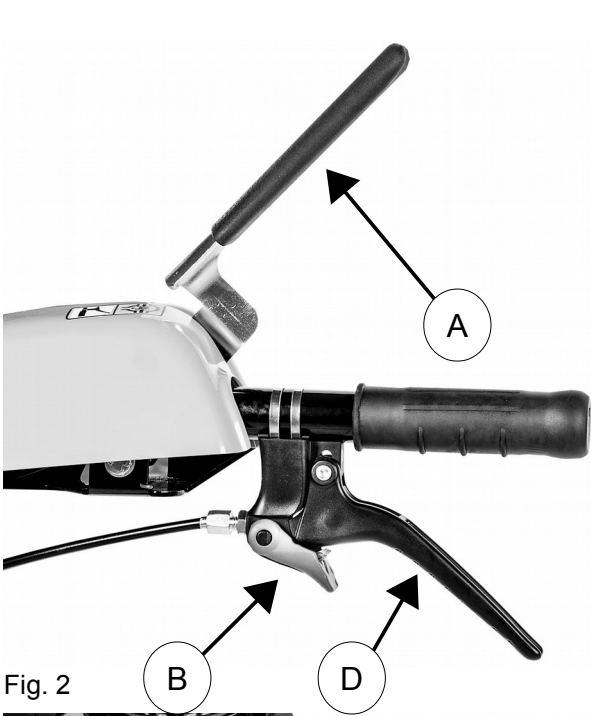


Fig. 2

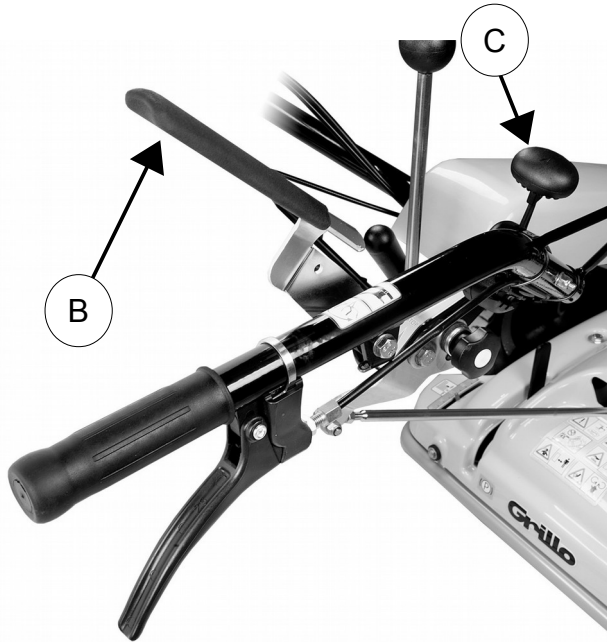


Fig. 3

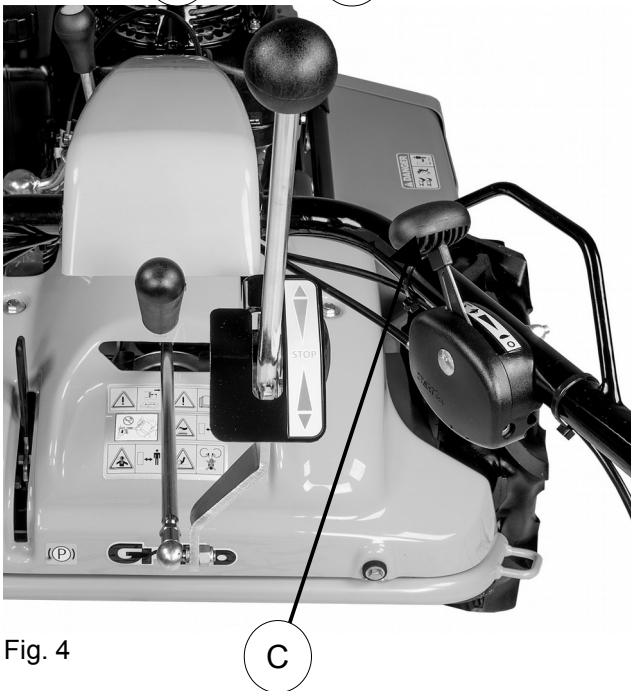


Fig. 4

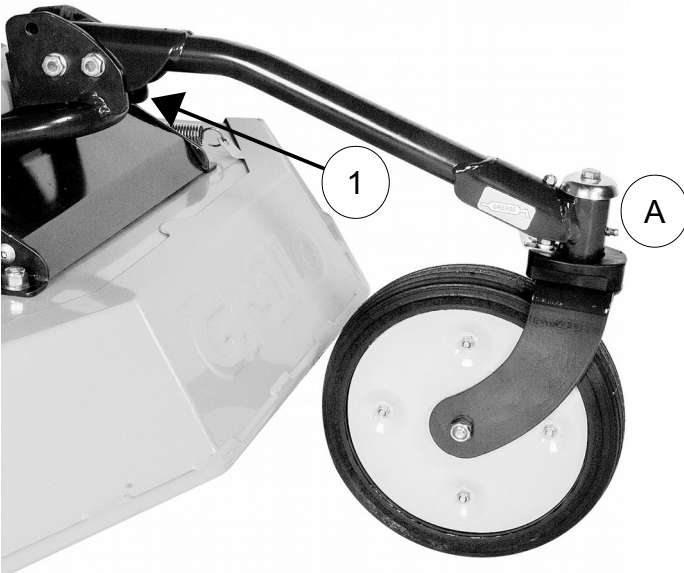


Fig. 5

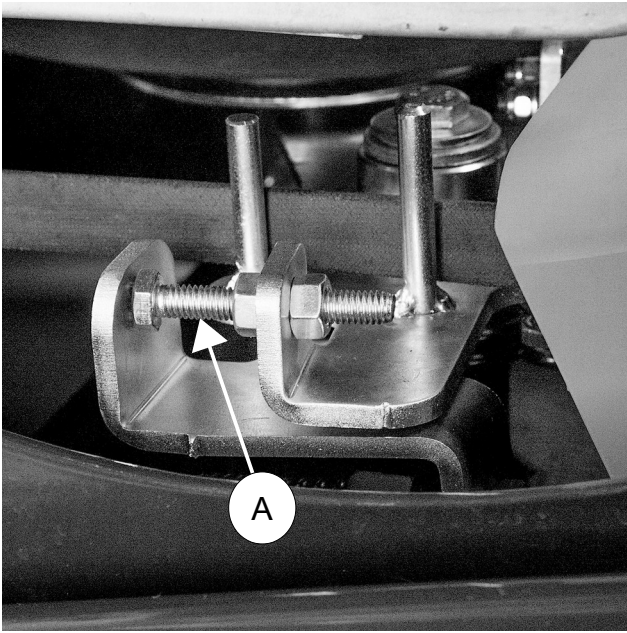


Fig. 6

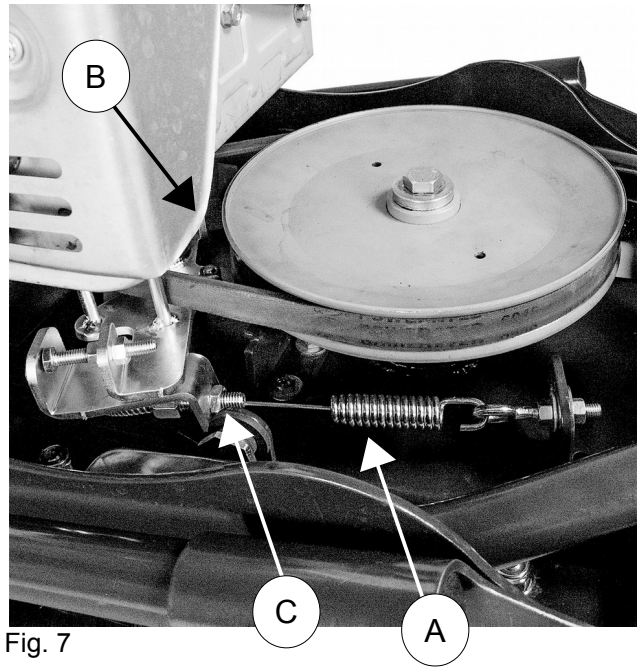


Fig. 7

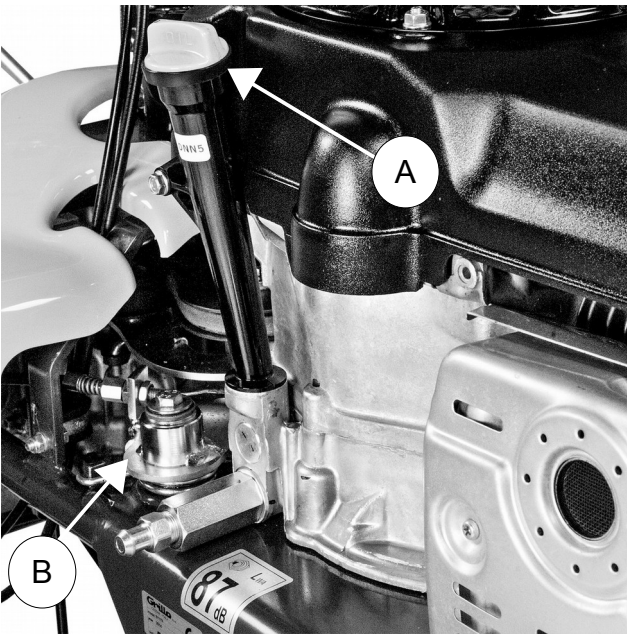


Fig. 8

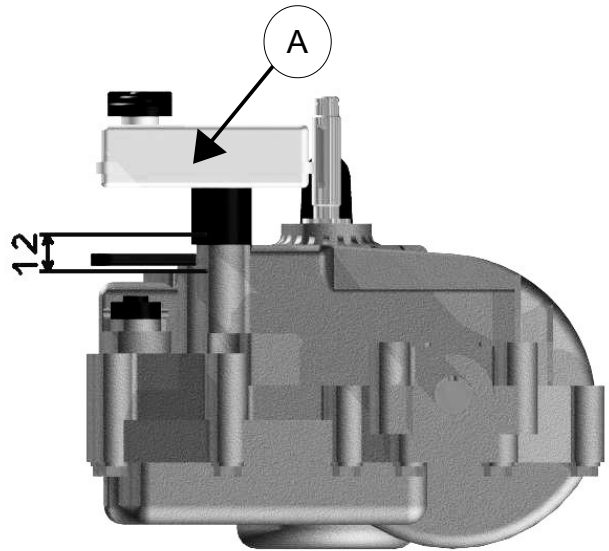


Fig. 9



Fig. 10

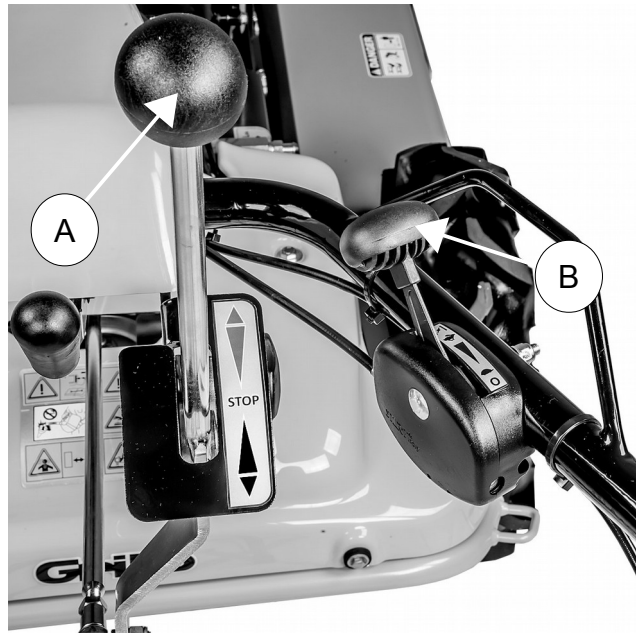


Fig. 11

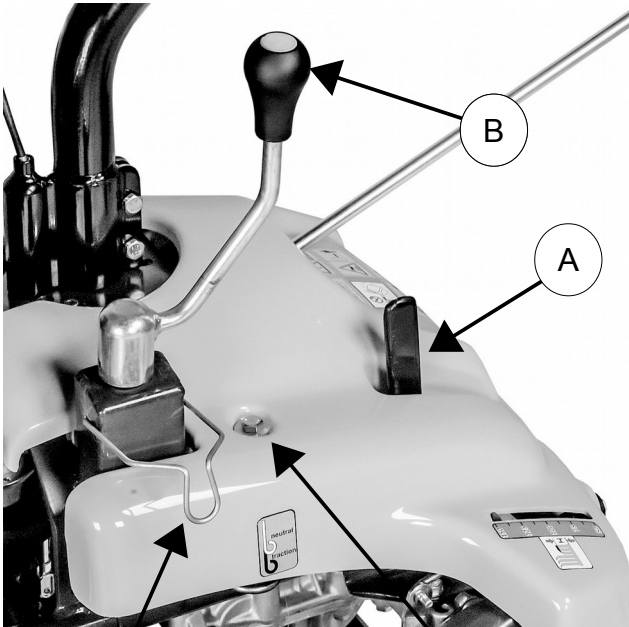


Fig. 12

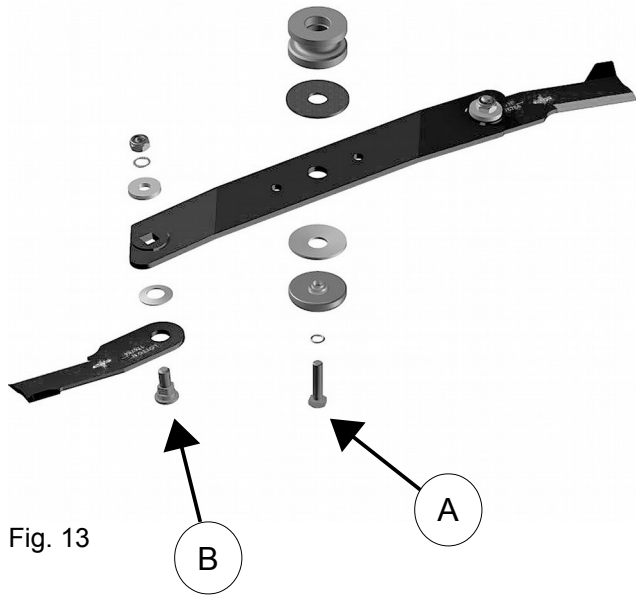


Fig. 13

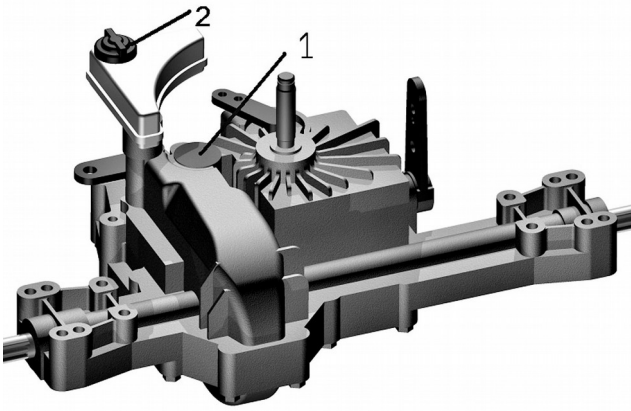


Fig. 14

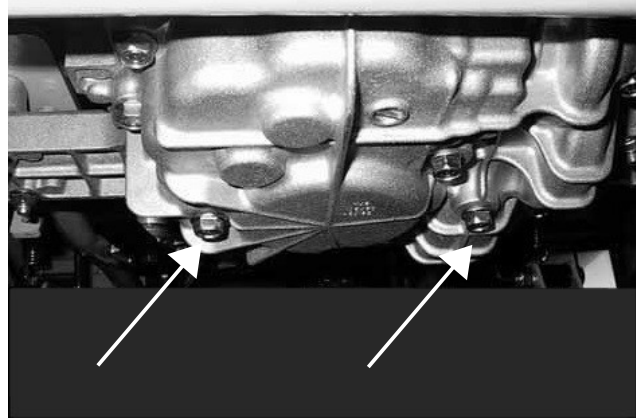


Fig. 15



Fig. 16

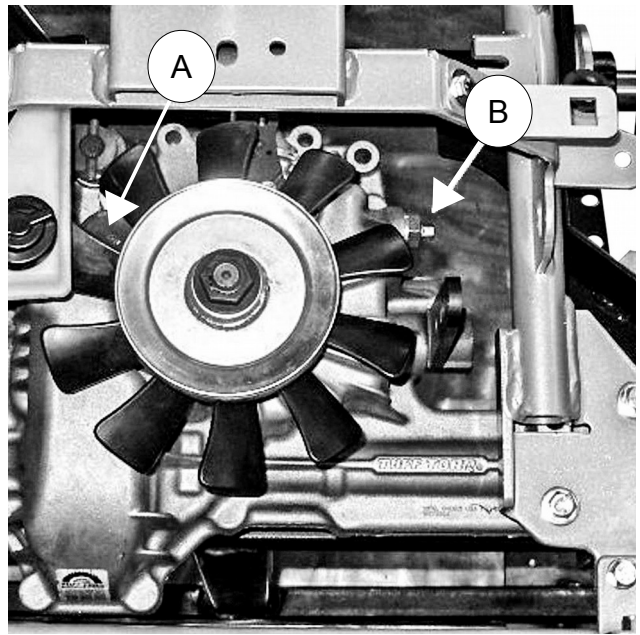


Fig. 17

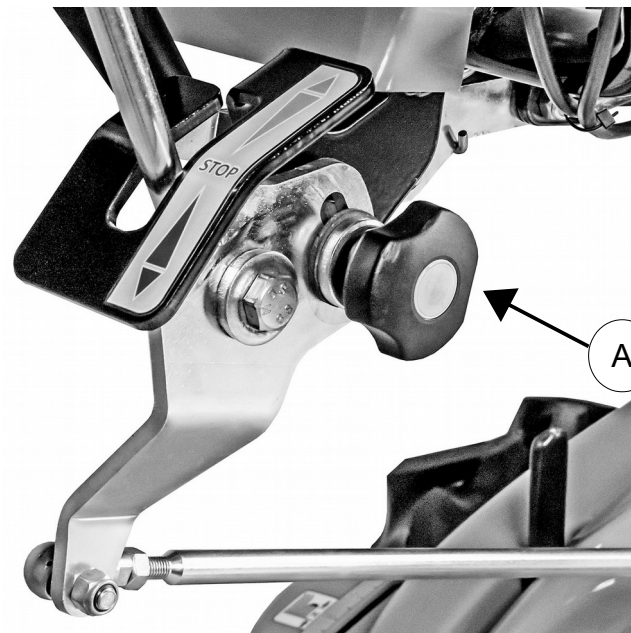


Fig. 18

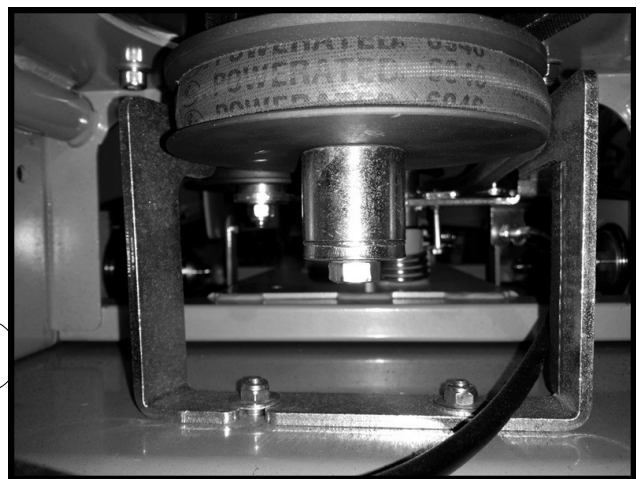


Fig. 19

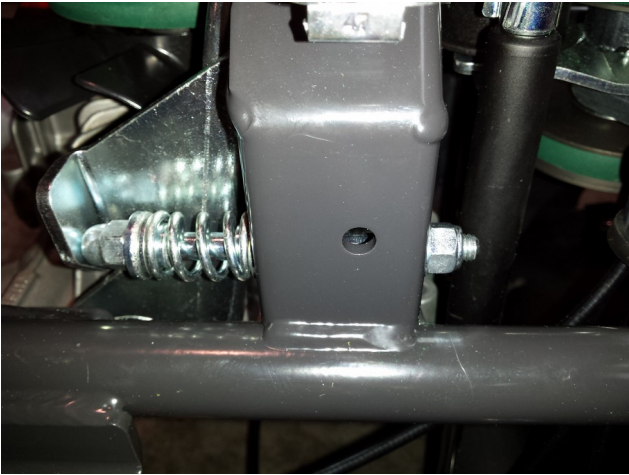


Fig. 20



Grillo S.p.A.

47521 CESENA (ITALY) – Via Cervese 1701

Tel: +39 0547 633111

Fax: +39 0547 632011

Website: www.grillospa.it

E-mail: grillo@grillospa.it

GRILLO DEUTSCHLAND GmbH

Pilsener Strasse, 9 - D-86199 Augsburg

Tel: + 49 082126879910

Faxnr.: + 49 01733132860

Webseite: www.grillodeutschland.de

E-Mail: grillo@grillodeutschland.de

Grillo Agrigarden LTD

Dove fields Uttoxeter - ST148HU Staffordshire

Tel: + 44 01889569149

Fax no.: + 44 01889592666

Website: www.grilloagrigarden.co.uk

E-mail: info@grilloagrigarden.co.uk