



Grillo

AGRIGARDEN MACHINES



02161 - 20

GRILLO G85-D

GRILLO G107D

**OPERATOR'S MANUAL
MANUALE DELL'OPERATORE
MANUEL D'UTILISATION
BEDIENUNGSANLEITUNG
MANUAL DE INSTRUCCIONES**

SUMMARY

Safety rules	
Instructions :	
Warnings	4
Identification and servicing	6
Technical specifications	7
Putting the machine into service	7
Instructions for use	8
Maintenance and lubrication	11
Implements	12
Illustrations	77
EC Declaration of conformity - Noise and vibrations levels	

INDICE

Norme antinfortunistiche	
Istruzioni :	
Avvertenze	17
Identificazione e assistenza	19
Caratteristiche tecniche	20
Messa in opera della macchina	21
Istruzioni d'uso	22
Manutenzione e lubrificazione	25
Accessori	26
Figure	77
Certificato di conformità CE - Rumorosità e livelli di vibrazione	

INDEX

Règles de sécurité	
Instructions :	
Mises en garde	31
Identification et assistance	33
Caractéristiques techniques	34
Mise en service de la machine	35
Mode d'emploi	35
Maintenance et lubrification	38
Outils	40
Illustrations	77
Certificat de conformité CE - Niveaux sonores et de vibration	

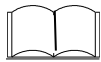
INHALTSÜBERSICHT

Sicherheitsvorschriften	
Anleitung:	
Sicherheitsrelevante Hinweise	45
Identifikation der Maschine und Kundendienst	47
Technische Daten	48
Inbetriebnahme der Maschine	49
Betriebsanleitung	50
Wartung und Schmierung	53
Zubehöre	54
Abbildungsverzeichnis	77
EG-Konformitätserklärung - Geräuschemission und Vibrationspegel	

ÍNDICE

Normas de seguridad	
Instrucciones:	
Advertencias	60
Identificación y asistencia	62
Características técnicas	63
Puesta en servicio de la máquina	64
Instrucciones de uso	65
Mantenimiento y lubricación	68
Equipos	70
Indice de ilustraciones	77
Certificado de conformidad CE - Niveles de ruido y vibración	

**SAFETY SYMBOLS - SIMBOLOGIA PER LA SICUREZZA - SYMBOLOGIE POUR LA SECURITE -
SICHERHEITSSYMBOL- SIMBOLOGÍA DE SEGURIDAD**



OPEN MANUAL- means that you must read the operator's manual very carefully.

MANUALE APERTO - significa che dovete leggere attentamente il manuale di uso e manutenzione.

MANUEL OUVERT – signifie qu'il faut lire avec attention le présent manuel.

OFFENES HANDBUCH – bedeutet, dass Sie die Gebrauchs- und Wartungsanleitung aufmerksam durchlesen müssen.

MANUAL ABIERTO – es decir que hay que leer muy atentamente el manual del operador.



CAUTION! - means that you have to pay particular attention to the operation you have to carry out, in particular if there is the indication "DANGER".

ATTENZIONE! - significa che dovete porre particolare attenzione all'operazione che dovete effettuare, in particolare se vi è anche l'indicazione di "Pericolo".

ATTENTION! - signifie qu'il faut faire particulière attention dans l'opération que vous allez faire, en particulier s'il y a aussi l'indication "DANGER".

VORSICHT! - bedeutet, dass Sie besondere Aufmerksamkeit beim Durchführen des Vorgangs haben müssen, insbesondere wenn auch der Hinweis "GEFAHR" aufgeführt ist.

ATENCIÓN! - es decir que hay que poner mayor atención en la operación a ejecutar si, en particular cuando hay también la indicación "Peligro".



INTERDICTION, YOU MUST NOT DO THAT! - means that it is absolutely forbidden to carry out the operations reported under this symbol because they could lead to mortal danger.

DIVIETO, NON FARE! - significa che non dovete assolutamente fare le operazioni riportate sotto questo simbolo, potrebbe comportare un pericolo mortale.

INTERDICTION, NE PAS FAIRE! - signifie qu'il est absolument interdit d'effectuer les opérations reportées sous cette indication, car elles pourraient conduire au danger de mort.

VERBOT, strengstens untersagt! - bedeutet, dass der Vorgang unter diesem Symbol absolut nicht durchgeführt werden darf, da er zur einer lebensgefährlichen Situation führen könnte.

PROHIBICIÓN, NO LO HAGAN! - es decir que no hay que hacer absolutamente las operaciones bajo este símbolo, podría comportar un peligro mortal.



NOTE, you have to pay particular attention to the note put next to this symbol

NOTA, dovete porre particolare attenzione alla nota posta accanto a questo simbolo.

NOTE, il faut faire attention particulière à la note mise à côté de ce symbole.

ANMERKUNG, besondere Aufmerksamkeit muss auf die Anmerkungen neben diesem Symbol gelenkt werden.

NOTA, hay que poner atención particular en la nota puesta a lado de este símbolo.



You must not repair nor lubricate the machine with moving parts or with the engine put on.

Non riparare o lubrificare la macchina con organi in movimento o motore acceso

Ne pas réparer ou lubrifier la machine avec des parties en mouvement ou à moteur en marche.

Niemals bei bewegenden Objekten oder bei laufendem Motor Reparationen oder Einschmierungen durchführen.

No reparar ni lubricar la máquina con órganos en movimiento o motor en marcha.



You must not smoke, light matches or lift flames, trigger frames nor cause sparks.

Vietato fumare, accendere fiammiferi o fiamme, lasciare fiamme libere o creare scintille.

Il est interdit de fumer, allumer des allumettes ou du feu, laisser des flammes libres ou de causer des étincelles.

Es ist untersagt zu Rauchen, Streichhölzer oder Feuer anzuzünden, Flammen auslösen oder Funken verursachen.

Prohibido fumar, encender cerillas o fuego, dejar llamas o crear chispas.



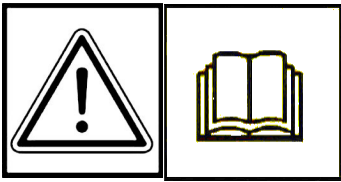
Use personal protective equipment

Utilizzare mezzi di protezione individuali

Utilisez l'équipement de protection individuelle

Individuelle Schutzausrüstung benutzen

Utilizar dispositivo de protección individual



GENERAL SECURITY RULES

NORME DI CARATTERE GENERALE SULLA SICUREZZA

SICHERHEITSHINWEISE

RÈGLES GÉNÉRALES DE SÉCURITÉ

NORMAS DE CARÁCTER GENERAL SOBRE LA SEGURIDAD

NORMAS DE CARÁCTER GENERAL ACERCA DA SEGURANÇA

Pay attention to symbol **DANGER!** It points out all most dangerous operations according to the situation. All safety rules are important and therefore must be strictly observed. Always keep this handbook within the reach, read it carefully and learn how to use the equipment in a safe way. Let nobody, not provided with necessary information, work with the equipment.

*Fare attenzione al simbolo **PERICOLO!** Esso indica la presenza delle principali situazioni di pericolo. Tutte le norme antinfortunistiche contenute sono importanti e vanno rispettate. Tenere sempre questo manuale a portata di mano, leggerlo attentamente ed imparare ad usare l'attrezzatura in modo sicuro. Non permettere che qualcuno operi con questa attrezzatura senza aver ricevuto istruzioni esaurienti.*

Attention au symbole **DANGER!** Il indique la présence des principales situations de danger. Toutes les normes contenues pour la prévention des accidents sont importantes et doivent être respectées scrupuleusement. Garder toujours ce manuel à la portée de la main, le lire attentivement et apprendre à utiliser ce matériel en toute sécurité. Ne pas permettre que d'autres personnes utilisent ce matériel sans avoir reçus des instructions exhaustives.

*Achtung - die mit dem Symbol **GEFAHR!** gekennzeichneten Hinweise weisen auf potentielle Gefahrensituationen hin. Alle sicherheitsrelevanten Hinweise in diesem Handbuch sind sehr wichtig und müssen unbedingt befolgt werden. Bewahren Sie dieses Handbuch stets griffbereit auf, lesen Sie es aufmerksam durch, und lernen Sie, die Maschine und die gesamte Ausrüstung sicher zu benutzen. Die Maschine darf nur von Personen benutzt werden, die vorher entsprechend unterwiesen wurden.*

Preste atención al símbolo **¡PELIGRO!** Indica la presencia de situaciones importantes de peligro. Todas las normas de prevención de accidentes detalladas son importantes y deben respetarse estrictamente. Conserve este manual al alcance de la mano, léalo atentamente y aprenda a utilizar el equipamiento de modo seguro. No permita que otras personas operen con este equipamiento sin haber recibido instrucciones exhaustivas.



Take special care not to touch hot parts of the engine.

Prestate particolare attenzione a non entrare in contatto con parti surriscaldate del motore.

Veiller tout particulièrement à ne pas toucher des éléments surchauffés du moteur.

Achtung – keine heißen Motorteile berühren!

No tocar partes recalentadas del motor.

Tome muito cuidado para não entrar em contacto com as partes aquecidas do motor.



Engine exhaust fumes can cause sickness or death. If it is necessary to run an engine in an enclosed area, use an exhaust pipe extension to remove the fumes. Always try to work in a well ventilated area.

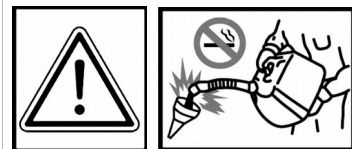
I gas di scarico possono causare malanni o morte. Se è necessario mettere in moto un motore in uno spazio chiuso, usare una prolunga tubo di scarico per far uscire il fumo. Lavorare in una zona ben ventilata.

L'exhalation des gaz d'échappement peut être cause d'intoxication ou de mort. S'il est vraiment nécessaire d'allumer le moteur à l'intérieur, appliquer au tuyau d'échappement un autre tuyau extensible pour permettre la sortie des gaz. Il est toujours mieux de travailler en plein air.

Auspuffgase können Übelkeit oder Tod verursachen. Wenn es notwendig ist, einen Motor in einem geschlossenen Raum laufen zu lassen, benutzen Sie eine Verlängerung, um das Auspuffgas abzuleiten. Versuchen Sie immer in einem gut belüfteten Raum zu arbeiten.

Los gases de escape pueden provocar enfermedades o muerte. De tener que poner en marcha un motor en un espacio cerrado, usar una prolongación del tubo de escape para que salga el humo. Trabajar en una zona bien ventilada.

Os gases de escape podem causar danos ou morte. Caso seja necessário fazer com que o motor funcione num espaço fechado, utilize uma extensão para o tubo de escape que os fumos sejam expulso para o exterior. Trabalhe numa área bem ventilada.



Handle fuel with care, it is highly flammable: Do not refuel machine while smoking, when machine is near an open flame or sparks, or when the engine is running. Stop the engine.

Maneggiare il carburante con cura, è altamente infiammabile; non fate rifornimento mentre fumate, o vicino a fiamme o scintille, o quando il motore è acceso.

Manier avec soin le carburant car c'est très inflammable. Ne pas remplir le réservoir si vous êtes en train de fumer ou pendant que la machine est près du feu ou d'étincelles ou encore pendant que la machine travaille. Arrêter le moteur.

Treibstoff vorsichtig handhaben, da er sehr entzündbar ist: beim Tanken nicht rauchen. Nicht tanken, wenn die Maschine in der Nähe von Flammen oder Funken ist oder wenn der Motor läuft. Immer den Motor abschalten.

Manejar el combustible con cuidado porque es sumamente inflamable; no repostar mientras se fuma o cerca de llamas o chispas, o cuando el motor está encendido.

Manuseie o carburante com cuidado, pois este é altamente inflamável; não fume durante o abastecimento da máquina ou enquanto o motor estiver ligado, não o aproximado de chama ou de faíscas.

⚠ DANGER



WARNING! SHARP PARTS. Keep hands and feet away. Do not operate the mower over gravel or foreign bodies which may be sucked up and ejected by the blades, generating a danger. Keep people away. Remove the key and read the instruction manual before attempting to carry out any maintenance or repairs to the machine.

ATTENZIONE! ORGANO TAGLIENTE. Tenere lontano mani e piedi. Non lavorare col rasaerba sopra alla ghiaia o corpi estranei che possono essere aspirati e centrifugati dalle lame risultando molto pericolosi, tenere lontano le persone. Togliere la chiave e leggere le istruzioni prima di effettuare qualsiasi operazione di manutenzione e riparazione.

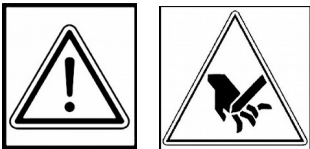
ATTENTION! ORGANE TRANCHANT. Éloigner les mains et les pieds. Ne pas utiliser la tondeuse sur le gravier ou sur des corps qui peuvent être aspirés et centrifugés par les lames et devenir très dangereux. Les personnes doivent se trouver à une certaine distance. Enlever la clé et lire les instructions avant toute opération de maintenance et de réparation.

ACHTUNG! SCHARFE KLINGEN. Hände und Füße fernhalten. Beim Mähen nicht über Schotter, Steine oder andere Fremdkörper fahren, da diese durch die Drehbewegung der Messer angesaugt und weggeschleudert werden können (Verletzungsgefahr). Nicht in der Nähe von anderen Personen mähen. Vor jedem Wartungs- bzw. Reparaturreingriff den Startschlüssel abziehen und die Gebrauchsanleitung durchlesen.

¡PELIGRO! ÓRGANO CORTANTE. Mantener alejados los pies y las manos. No limpiar la herramienta con el motor en marcha. ¡Peligro! Expulsión de objetos: mantener alejadas a las personas. Atención: quitar la llave y leer las instrucciones antes de efectuar cualquier operación de mantenimiento o reparación.

ATENÇÃO! Órgão cortante. Ficar longe com pés e mãos. Não trabalhar com a máquina sobre cascalho ou objetos que podem ser aspirados e centrifugados gerando perigo, manter-se longe das pessoas.

Tirar a chave de ignição e ler as instruções antes de efetuar qualquer operação de reparo ou serviço.

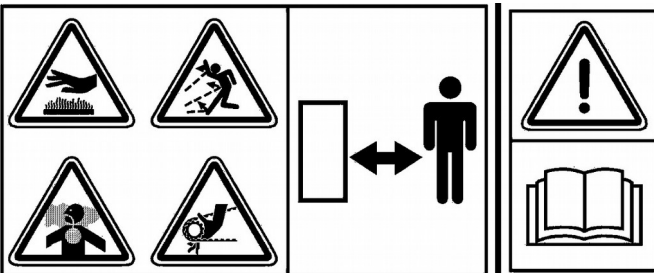


Warning! Cutting edges, keep your hands and feet away. Do not clean the attachment when the engine is running.

Attenzione! Organo tagliente, tenere lontano piedi e mani. Non pulire l'attrezzo col motore in moto.

Attention! Organe tranchant, ne pas approcher main et pieds. Ne pas nettoyer le moteur quand le moteur est en marche.

Achtung! Schneidende Klinge, Hände und Füße fernhalten. Niemals bei laufendem Motor reinigen.



DANGER! READ THE INSTRUCTION MANUAL. KEEP SAFETY DISTANCES.

PERICOLO! LEGGERE IL MANUALE D'ISTRUZIONE. TENERE LONTANO LE PERSONE.

DANGER! LIRE LE MANUEL D'INSTRUCTIONS. RESPECTER LES DISTANCES DE SÉCURITÉ

GEFAHR! DIE GEBRAUCHS ANLEITUNG DURCHLESEN. NICHT IN DER NÄHE VON ANDEREN PERSONEN MÄHEN.

PELIGRO! LEER LAS INSTRUCCIONES. MANTENER ALEJADAS LAS PERSONAS.

PERIGO! LER O MANUAL DE INSTRUÇÕES. MANTER AS PESSOAS AFASTADAS.



Before using the machine, it is mandatory to put on the appropriate individual safety devices: body protection, protection gloves, security shoes, ear protection.

Prima di utilizzare la macchina, è obbligatorio indossare gli appositi dispositivi di sicurezza individuali: protezione del corpo, guanti di protezione, calzature di sicurezza, protezione dell'udito.

Avant d'utiliser la machine, il est obligatoire de mettre les dispositifs individuels de sécurité appropriés: protection du corps, gants de protection, chaussures de sécurité, protection de l'ouïe.

Vor dem Gebrauch der Maschine ist es vorgeschrieben, die geeignete persönlichen Schutzkleidung anzuziehen: Körperschutz, Schutzhandschuhe, Sicherheitsschuhe, Gehörschutz.

Antes de utilizar la máquina es obligatorio ponerse los dispositivos individuales de seguridad apropiados: protección del cuerpo, guantes de protección, calzado de seguridad, protección del oído.

WALKING TRACTOR

G85 - G107D

Dear Customer,

Thank you for choosing our walking tractor. We are sure that your new machine's performance will meet your requirements in full. To ensure optimum service and maintenance of its qualities over time, read this manual carefully and follow its instructions. This will give you the best results and protect your investment. Please keep this manual, which must always accompany the machine.

GENERAL DESCRIPTION AND INTENDED USE

The Grillo G85-107 is a single-axle self-propelled walking tractor complete with a rotary tiller for tilling soil. These machines are used primarily to prepare the soil (elimination of weed, surface tilling of the soil) and used in gardening, for small ground work, refinement work and orchard inter-rows. The machine is constructed on a chassis and fitted with either a petrol or diesel engine. The engine drives the wheels and P.T.O, which is usually connected to a rotary tiller. Other implements can be connected to the P.T.O such as a snow thrower, swinging front blade, cutter bars, rotary cutters, ploughs, power brushes and sprayer pumps. The Grillo G85 is a pedestrian-controlled machine, the operator steers the machine via the handle- bar where the controls are mounted.



CAUTION! Before starting the engine, read this carefully. The following warnings are very important in ensuring safety!

WARNINGS

Caution is the main safeguard in preventing accidents. We urge you to read the warnings that follow when using the walking tractor, before starting any work at all. Improper use of the walking tractor and its equipment can be dangerous. To reduce the risks to the minimum, observe the necessary precautions set out below:

- 1) Read the whole of this manual before using your walking tractor. Be thoroughly familiar with the controls and the proper use of the machine before starting.
- 2) Pay special attention to the safety warnings and labels.
- 3) The rotating tiller is extremely dangerous; **never insert hands or feet under the tiller!**
- 4) Before other people are allowed to use the machine, make sure they are informed about the safety regulations and how to properly use this equipment.
- 5) Ensure children and animals are kept at a safe distance of about 15 metres. Do not allow people to come closer to the walking tractor when it is being used.
- 6) Do not use the machine when physically fatigued or under the influence of alcohol or drugs that could impair the operator's physical and mental capacities.
- 7) Thoroughly check the ground before using the walking tractor and remove any object that could damage the tines (e.g. stones) or that could be caught up and flung down, therefore becoming highly dangerous. (e.g. branches, stones).
- 8) **Always wear suitable clothing and footwear. It is recommended to wear safety footwear, safety goggles, ear plugs and gloves, long trousers. Do not wear clothing or accessories that could get trapped in the controls or in the tiller (e.g. loose trousers, scarves...).**
- 9) Pay close attention when working on slopes. Always work across the slope and never upwards/ downwards. Pay greater attention when changing direction on slopes and never work on excessively steep ground.
- 10) Never allow the machine to be used by anyone under 16 years of age.
- 11) Pay close attention when operating the machine in reverse, make sure that there are no obstacles behind you. In case of danger release the handlebar and the machine will stop immediately.
- 12) It is dangerous to sharply activate the levers with the engine at maximum r.p.m.
- 13) Do not operate the engine in a confined space where dangerous carbon monoxide fumes can collect.
- 14) **CAUTION: Petrol is highly inflammable.** Store fuel in containers especially designed for this purpose. Refuel outdoors and away from any open flames or sparks. Never smoke when refuelling.

Stop the engine before refuelling and never refuel with the engine running. Never remove the tap of the fuel tank or add fuel when the engine is hot. If fuel is spilled, do not attempt to start the engine but move the machine away from the area of spillage and avoid creating any source of ignition until fuel vapours have dissipated. After refuelling all fuel caps should be closed securely.

- 15) Avoid spillages and clean up all spills straight away.
- 16) Store fuel in containers especially designed for this purpose.
- 17) Make sure you work preferably in natural light or good artificial light.

IMPROPER USE TO BE AVOIDED

- 18) Never use the walking tractor to crush building, metallic and plastic material nor roots and trunks or any sort of garbage.
- 19) Do not use the machine to transport people, animals or objects.

FURTHER SAFETY ADVICE

20) Never disable safety devices.

21) Always stop the engine before making any adjustment or cleaning.

22) Never allow anyone to check the machine with engine running.

23) The user is always responsible for injuries or damages caused to third parties and for any risk they could run.

24) Damaged tines must always be replaced and never repaired.

25) Always use genuine Grillo spare parts.

26) Before starting any work with the machine, check that all the accident prevention systems with which it is equipped with are in perfect working order. They must never be disabled or tampered with.

27) Before starting work, check that the nuts and bolts securing the tiller and tines are perfectly secured.

28) Never operate the machine without safety protective devices in place (such as mudguards and engine bonnets).

29) Never clean the tiller with the engine running.

30) Never use the machine barefoot.

31) Never change the max RPM engine settings nor any other engine settings.

32) Allow the engine to cool before storing in any enclosure.

33) CAUTION: To reduce the risk of fire, keep the engine, the exhaust pipe and the exhaust manifolds free from grass, leaves, dust, etc...

34) Drain the fuel only outdoors.

35) Do not run with the walking tractor.

36) Hold your feet away when starting the machine.

37) Do not lift or transport the machine with the engine running.

38) Do not store the machine with fuel in the tank where petrol vapours could reach an open flame or source of ignition.

39) Grillo walking tractors has been designed with the sole purpose of being used with original Grillo attachments or with attachments designed by other manufacturers expressly authorized by Grillo. Non original attachments as well as attachments produced and/or modified by non-authorized manufacturers must never be connected to the walking tractor. If you have any question or doubt please contact the nearest Grillo authorized dealer.

Any improper use will void the warranty and the manufacturer will not be held responsible for any damage that occurs thereafter.

CAUTION!

We recommend the use of ear plugs/protection should the walking tractor be used for a prolonged time. Use acoustic protections compliant with the current law (see picture below – Fig. A).



Fig. A

IDENTIFICATION AND SERVICING



IDENTIFICATION

The vehicle's serial number is punched on the nameplate on the left-hand longitudinal member of the chassis and on the gearbox nameplate. Always state the serial number when ordering spare parts.

AFTER-SALES SERVICE

This manual provides instructions on how to use the walking tractor and to carry out a basic maintenance which the user can carry out personally. For all procedures not described in this manual, contact your local dealer.

SPARE PARTS

Always use original spare parts, as they are the only ones to ensure complete safety and interchangeability. Always state the serial number when ordering spare parts. For engine parts, refer to the specific manual.

WARRANTY

The guarantee is given in compliance with the current law. The Grillo dealer will supply the client with a copy of the registration card of the machine, which they will print from the Grillo website. For the engine, the guarantee of the relative manufacturers apply.

ORDERING SPARE PARTS

Always state the machine serial number and the code number of the part to be replaced. Contact your local dealer. Our address is:

GRILLO S.p.A.
Via Cervese 1701 - 47521 CESENA (FC) - ITALY
Tel. 0039 / 0547 / 633111 - Fax 0039 / 0547 / 632011
Web site: www.grillospa.it - E-mail: grillo@grillospa.it

TECHNICAL SPECIFICATIONS G85 – G85D

ENGINES

- **EX27** OHV, 265 cc, 8,3HP (@ 3600 r.p.m.) one-cylinder 4-stroke petrol engine.
- **GR300**, 302cc, 9,3 HP(@3600 r.p.m) one-cylinder 4-stroke petrol engine.
- **HONDA GX270**, 270cc, 8,4 HP(@3600 r.p.m) one-cylinder 4-stroke petrol engine.
- **KD15 350** 349 cc, 7,5 HP (@ 3600 r.p.m.) one-cylinder 4-stroke diesel engine.

Also available with electric starter.

MACHINE

Clutch: active clutch.

Gearbox: 4 speeds – 2 forward + 2 reverse both as rotavator and as sickle-bar (turning the handlebars).

Speeds in km/h with engine at 3600 r.p.m. are as follows:

Gears	Speeds with tyres 4.00-8
Ist	1,1
IInd	2,6
Ist REVERSE	1,1
IInd REVERSE	2,6

P.T.O.: independent from the gearbox; 965 rpm with engine at 3600 rpm.

Wheels: tyres 4.00-8 /4.00-10 /5.00-10.

Rotary tiller: 58 cm standard; adjustable up to 37-47-68 cm.

Handlebar: Side and height adjustment – reversible.

Track: external measurements: with tyres 4.00-8, 42 cm - with wide steel wheels, 36-44 cm.

Implements and attachments: tiller, double tiller, mower bar, snow thrower, plough, furrower, lawn mower, grass shredder, irrigation pump, spraying pump, towed trailer, rotary tiller support wheel, towing bar, wheel weights, metal wheels, weeder, container trailer, rake, front scraper, biological grinding mill, sweeper.

TECHNICAL SPECIFICATIONS G107D

ENGINE TYPES:

- **EX27** OHV, 265 cc, 8,3HP (@ 3600 r.p.m.) one-cylinder 4-stroke petrol engine.
- **GR300**, 302cc, 9,3 HP(@3600 r.p.m) one-cylinder 4-stroke petrol engine.
- **HONDA GX270**, 270cc, 8,4 HP(@3600 r.p.m) one-cylinder 4-stroke petrol engine.
- **KD15 440** 441 cc, 11 HP (@ 3600 r.p.m.) one-cylinder 4-stroke diesel engine.

MACHINE:

Clutch: active clutch

Gearbox: 6 speeds – 3 forward + 3 reverse both as rotavator and as sickle-bar (turning the handlebars). Speeds in km/h with engine at 3600 r.p.m. are as follows:

Gears	Speeds with tyres 4.00-10
Ist	1,2
IIInd	2,2
IIIrd	3,3
Ist REVERSE	1,2
IIInd REVERSE	2,2
IIIrd REVERSE	3,3

P.T.O.: independent from the gearbox; 965 rpm with engine at 3600 rpm.

Wheels: tyres 4.00-8 /4.00-10 /5.00-10.

Rotary tiller: 58 cm standard; adjustable up to 37-47-68 cm.

Handlebar: Side and height adjustment - reversible.

Track: external measurements: with tyres 4.00-8, 42 cm - with wide steel wheels, 36-44 cm.

Implements and attachments: tiller, double tiller, mower bar, snow thrower, plough, furrower, lawn mower, grass shredder, irrigation pump, spraying pump, towed trailer, rotary tiller support wheel, towing bar, tank mounted on dolly, wheel weights, metal wheels, weeder, container trailer, rake, front scraper, biological grinding mill, sweeper.

PUTTING THE MACHINE INTO SERVICE

- 1) Check that the machine has not been damaged during transport.
- 2) Remove the walking tractor from the package, paying attention not to damage wires and levers. Use a lifting machine (min. capacity: 200 kg). Before putting the machine on the ground mount the wheels and make sure the nuts are well tightened (fig. 3, n. 8).
- 3) The walking tractor is delivered with the handlebar positioned over the engine (sickle-bar version). To turn the handlebar to use the rotary tiller push the lever (fig. 3A, n. 12) and slowly turn the handlebar 180° in anti-clockwise direction, paying attention not to force this mechanism and not to damage wires. Then insert both the gear and PTO levers into the lower eyelets (fig. 3A for G85-G85D and 3B for G107D).
- 4) Before connecting the implement, the PTO coupling of the machine has to be filled with grease. Then mount the implement(e.g. tiller, plough...) and make sure the nuts are well tightened (fig. 4A, n. 20).
- 5) Add engine oil (see the engine manual).
- 6) Add gearbox oil - fig. 6 (MP 80W90 oil, or international equivalent API GL5 oil, US MIL-L-2105D, quantity 2,2 litres for G85 and 1,9 litres for G85D and G107D).
- 7) Add oil into the air filter in oil bath (for versions provided with this type of filter), use the same oil type as the engine oil (fig. 7A).
- 8) Check the tyre pressure according to the table provided below:

TYRE PRESSURE			
4.00-8	2 PLY RATING		1,1 BAR
4.00-10	2 “ “		1,1 “
5.00-10	2 “ “		1,5 “
5.00-10	2 “ “		1,5 “

- 9) In the electric starting versions verify the battery voltage, it must not be lower than 12,5 V, when required charge the battery, at 12,5 V on slow charge for 2 hours.

IMPORTANT!

During assembly take care not to get the polarity of the battery reversed.

- 11) Fill the tank with fuel using a funnel provided with a fine filter.
- 12) Check liquid levels with the walking tractor placed in horizontal position.

INSTRUCTIONS FOR USE

Before starting the engine always check:

- the oil levels inside the engine (fig. 5, ref. A) and the gearbox; the level check cap is on the upper cover (fig. 6); the oil level must be between the two notches.
- that all screws and nuts are well tightened especially those fastening the attachments to the machine.
- that all levers are in neutral.
- that the air filter (dry version) is clean (fig. 7). Caution: Never blow the cartridge with compressed air; if clogged it must be replaced.
- that the air filter (in oil bath version) is clean and its oil at the right level (fig. 7A).
- check the oil level inside the tiller gearbox (fig. 4D no. 3)
- fill the tank with fuel, using a funnel with a very fine filter.

STARTING THE PETROL ENGINE

Turn on the petrol cock (fig. 4B, n. 21), push the throttle lever halfway (fig. 3, n. 14) and engage the choke device if the engine is cold (fig. 4B, n. 18). If the walking tractor is equipped with the recoil

starter, pull hard on the pull starter handle (fig. 4B, n. 6) to start the engine. If the walking tractor is equipped with the electric starter turn the ignition key located on the engine.

STARTING THE DIESEL ENGINE

Push the throttle lever halfway (fig. 3, n. 14) and make sure that the lever to switch off the engine (fig. 3, n. 25) is turned fully upwards.

- Recoil starter: pull hard on the recoil starter handle (fig. 4B, n. 6).
- Electric starter: turn the starting key on the dashboard in a clockwise direction (fig. 4C, n. 26).

STARTING THE MACHINE

For the G85 – G85D make sure the reverse gear lever (fig. 3A, n. 2) is positioned on the forward gear.

- Select the desired gear using the lever (fig. 3A, n. 15). If the gear does not engage immediately, do not force the lever but press and release it repeatedly until the gear engages.
- The machine moves forward pressing the grey safety device (fig. 3A, n. 27) and subsequently pressing the red clutch lever (fig. 3A, n. 1).
- The machine stops when the red clutch lever (fig. 3A, n. 1) is released, the engine keeps on running and the clutch lever comes back into vertical position.

STARTING WORK (walking tractor version)

To engage the rotary tiller push forward the PTO lever (fig. 3A, n. 13) until the engagement click is heard. If the PTO does not engage immediately, do not force the lever but press and release it repeatedly until the PTO engages.

CAUTION: When the tiller is on never put your hands and feet under the hood and do not open the tiller door. This door must be kept adherent to the ground to ensure a safe use of this machine.

NOTE: to avoid problems to the clutch during the functioning of the machine, please keep the red lever firmly depressed. **Important:** Do not use the machine whilst only partially depressing the red lever or damage to the clutch may result. **To disengage the rotary tiller pull backwards the PTO lever onwards (fig. 3A, n.13).**

REVERSE GEAR (G85 – G85D in walking tractor version)

To engage the gear lever on the G85 – G85D press the appropriate lever (fig. 3A, n. 2). If the reverse gear does not engage immediately, do not force the lever but press and release it repeatedly until the gear engages.

IMPORTANT: Before pressing down the red clutch lever to start the machine, always check which gear is engaged (see label – fig. 1).

REVERSE GEAR (G107D model)

To engage the gear lever on the G107D press the appropriate lever (fig. 3B, n. 2).

IMPORTANT: First press the reverse gear lever the press the red clutch lever to avoid damages to the gearbox.

CAUTION: for safety reasons on all Grillo walking tractors it is not possible to engage the tiller when the reverse gear is chosen. The PTO must always be disengaged before engaging the reverse gear. **WHEN THE MACHINE IS USED IN WALKING TRACTOR VERSION, MAKE SURE THAT THE SAFETY SCREW IS CORRECTLY MOUNTED (Fig. 2A). IN CASE OF DANGER RELEASE THE RED CLUTCH LEVER (fig. 3A – 3B, n. 1) BOTH THE MACHINE AND THE ROTARY TILLER WILL IMMEDIATELY STOP.**

HANDLEBAR ADJUSTMENT

To adjust the height of the handlebar unlock the appropriate lever (fig. 3A, n. 10), raise or lower the handlebar and then release the lever to lock its position. To turn the handlebar use the lever (fig. 3A, n. 12), turn the handlebar to right or to the left and then release the lever to lock its position.

ENGAGEMENT AND DISENGAGEMENT OF THE DIFFERENTIAL DEVICE

The G85 walking tractor is equipped with a fixed wheel axle, therefore without differential. The G85D and G107D are equipped with the differential on the wheel axle: on the right side of the handlebar a T-lever (fig. 3A – 3B, n. 22) is located, enabling the operator to lock (lever pulled backwards) or unlock (lever pushed forward) the differential. When working the differential is generally unlocked (fig. 3A, n. 22 – lever forward) to make manoeuvres easier. When working on slopes or on grounds where higher adherence is needed, it is recommendable to use the differential lock (fig. 3A, n. 22 lever pulled backwards).

SWITCHING OFF THE PETROL ENGINE

Set the throttle lever into “0” position (fig. 3, n. 24). **IMPORTANT:** for walking tractors equipped with the electric starter, once the engine has been switched off, turn the key into OFF position. If the starting key remains into the starting position the battery will completely discharge.

SWITCHING OFF THE DIESEL ENGINE

Fully press the off lever located on the left side of the handlebar (fig. 3A – 3B, n. 25). **IMPORTANT:** if the machine is equipped with the electric starter, once the engine has been switched off, turn the starting key in anti-clockwise direction to disconnect the battery (fig. 4C, n. 26). If the starting key remains into the starting position the battery will completely discharge.

END OF WORK

Once work is ended, switch the engine off, remove the key (for machines with electric starter), set the gear lever into neutral and disengage the PTO. When the gear is in idle position (letter F on the label) it is possible to move the machine manually. **CAUTION:** never leave the machine on slopes with the gear lever in neutral position. If the machine is to be parked on a slope always engage the 1st gear. **CAUTION:** never leave the machine unguarded or in a place where children or inexperienced people could have easy access to it.

TROUBLESHOOTING

The following is a list of inconveniences which may occur during the use of the walking tractor, which the operator himself can remedy.

1) if the **petrol engine** does not start check:

- that the fuel tank is at least half full;
- that the petrol cock is turned on;
- that the choke is engaged (when the engine is cold);
- that fuel is normally going to the carburettor;
- that the vent hole on the fuel tank is not blocked;
- that the mesh filter at the carburettor intake is clean;
- that the carburettor jets are clean. Check by unscrewing them and if dirty, clean them with a jet of air;
- that spark plug is generating a spark. To check this, remove the spark plug, re-connect it to the electricity supply wire, rest the metal side on an electrical earth and turn the engine-pulley as if to start it. If no spark is seen between the electrodes, check the connection of the spark plug cable; if there is still no current replace the spark plug with a new one. If a spark is still not obtained, the problem is in the electric system: capacitor, coil, or in some other component. Contact your nearest service centre or a specialist workshop.

2) if the **diesel engine** does not start check:

- that the fuel tank vent hole is not blocked;
- that the fuel tank is at least half full.

3) If the engine is on but the machine does not move forward:

- check that the gear is engaged.
- check that the red clutch lever is fully pressed down and that the clutch spring is compressed (fig. 8). Should this not be the case, adjust the screw of the clutch cable (fig. 3A, n. 17).

4) if the **petrol engine** cannot be switched off:

- check that the throttle lever (fig. 3, n. 24) is in “0” position.
- check that the electric wire to switch off the engine is correctly connected with the throttle lever and with the connector on the engine.

5) if the **diesel engine** cannot be switched off:

- check that the lever to switch off the diesel engines located on the left side of the handlebar (fig. 3A, n. 25) is fully pressed down.
- check that the electric wire to switch off is correctly connected to the engine.

IN CASE OF LONG IDLE PERIODS

Should the machine not be used for a long time:

- fully empty the fuel tank.
- thoroughly clean both the engine and the walking tractor. Lubricate the handlebar support.

MAINTENANCE AND LUBRICATION

CAUTION!

- **Disconnect the plug before performing any cleaning, maintenance or repair operation. Always wear suitable clothing and working gloves.**
- **When the machine or part of it is lifted to carry out maintenance operations, always remember to use suitable fixing tools such as holders and safety locks.**
- **When carrying out maintenance operations and/or when the machine is tilted without safety locks or supports, never leave it unguarded in places where inexperienced people and children could have easy access to it.**
- **Protect the environment: carefully dispose of used oils, petrol and any other pollutant product!**
- **Effective maintenance and correct lubrication help to keep the machine fully efficient.**

RUNNING-IN: change the engine oil after the first twenty working hours.

ENGINE – Follow the instructions outlined in the engine's manual. In general users are advised to check the oil level every 8 working hours and to change it every 100 hours. Always use **15W40**. Check the air filter oil level every 8 working hours or more often in very dusty conditions. Top up with the same oil as for the engine (see engine handbook). On versions with dry filter, replace the cartridge if clogged (do not clean with compressed air jets).

GEARBOX – Check the oil level every 50 working hours by removing the cap and checking with the machine horizontal the oil reaches between the two notches. If necessary add **MP 80 W/90 (API GL5 US-MIL-L-2105D)** oil. Change the oil once a year.

ROTARY TILLER – Check the oil level every 50 hours by removing the plug; the oil must almost fill the rotary tiller box. If necessary add the same oil as for the gearbox (fig. 4D, n. 3).

TIPS FOR EFFICIENT USE

- 1) Always release the red clutch lever (fig. 3A, n. 1) before shifting from the forward gear to the reverse gear and vice-versa.
- 2) Always release the red clutch lever (fig. 3A, n. 1) before engaging the PTO.
- 3) Never leave the machine exposed to bad weather condition.
- 4) Keep cables and lever always clean from dust and residues.
- 5) Never force the reverse gear: If the gear does not engage immediately, do not force the lever but press and release it repeatedly until the gear engages (fig. 3A, n. 13).
- 6) Never strain the engine: if smoke comes out of the exhaust, slow down.
- 7) Even impossible ground can be tilled, but the machine must be well run-in first.
- 8) Frequently check the tyre pressure.
- 9) When fitting the implements (e.g. rotary tiller) take care not to damage the centring device of the walking tractor gearbox (fig. 4F).

END OF SEASON MAINTENANCE

Carefully wash the walking tractor, replace the oil in engine and the gearbox oil, clean the air filter. Sharpen the hoes and grease them. Replace them if worn. **IMPORTANT: The hoes of Grillo walking tractors are made of a special steel subjected to heat treatments. Never weld the hoes if broken or cracked, because they could break and be flung away becoming therefore highly dangerous for people and objects around.**

MAINTENANCE SUMMARY TABLE						
PROCEDURE		EVERY 8 HOURS	AFTER 20 HOURS	EVERY 50 HOURS	EVERY 100 HOURS	EVERY 200 HOURS
Engine oil	check the level	•				
	change		•		•	
Air filter	check	•				
	replace				*	
Spark plug	check/adjust				•	
	replace					•
Gearbox oil	Check the level	•		•		
	replace					•
Check that the engine intake grid is clean		•				
Cutter bar	Check blade attachment		•	•		
	grease	•				
Check that tines are well-sharpened and well-fixed			•	•		
Lubricate with grease		•				
Check clutch clearance (free play)			•	•		

• recommended procedure

* procedure to be carried out if necessary

IMPLEMENTS

ROTARY TILLER

The rotary tiller is used to break the surface layer of the ground in order to increase its permeability and at the same time to rid of weeds. Till in first speed if the soil is hard and tough or in second speed in soft, sandy soil. The working depth can be adjusted by lifting or lowering the central knife located under the rotary unit. The tiller cover position will change at the same time. It is recommendable to start tilling with the knife in the lowest position, and then to raise it if greater depth is required (fig. 4E). To adjust the tilling depth use the black lever on the tiller. Note: On hard soils the machine may jump forward. In this case set the central knife in the third hole (fig. 4E). Check that the assembling is correct.

CAUTION: in walking tractor version it is not possible to engage the reverse gear if the PTO is engaged. The safety system must be held as shown in the picture no. 2A. Never disable it.

CAUTION: Keep your hands and feet away from the rotary tiller hood when the engine is running, rotation of the tiller is highly dangerous. Before performing any kind of operation on the tiller (e.g. replacing hoes), ALWAYS SWITCH OFF THE ENGINE.

ADJUSTABLE FURROWER

This implement is specially designed for preparing furrows for sowing and irrigation. It is mounted using the frame for attachments like a plough on the back of the gearbox. The furrow width can be regulated from a minimum of 10 cm to a maximum of 30 cm, by changing the position of the two wings. The depth can be varied from 10 to 20 cm. When working on particularly hard soils, till before furrowing. Better results can be achieved by fitting the 5.00-12 tyres and if necessary the wheel-weights which increase the wheel grip (fig. 10).

CUTTING BAR

The cutting bar which can be attached to the walking tractor has a central control. Its strength and high performance make it the best way of mowing small pieces of land when it is not convenient to purchase a sickle mower which would remain unused for most of the year, while a walking tractor can be used with other implements. The cutting bar is attached to the walking tractor implement frame instead of the rotary tiller. The handlebar must be turned 180° towards the engine. Before turning the handlebar engage first gear, then release the drive levers. Once the handlebar has been turned, fit these levers back into their supports.

Once the handlebar has been turned, the operator can use all of the gears like in the walking tractor version. To engage the PTO the safety system preventing the reverse gear and the PTO from being engaged at the same time (which is then necessary with the rotary tiller), has to be deactivated. The operator has to remove the screw (fig. 2).

Important: if the rotary tiller is connected again, the safety system has to be brought back to its original working condition. Grillo bears no responsibility in case of non-compliance with this rule (fig. 2 – fig. 2A).

Maintenance: grease the cross pins every 8 working hours through the grease nipples on the swinging crank. Grease the cutting bar swinging bushing every 50 working hours through the grease nipple under the swinging protection. Keep the blade ledger plates properly adjusted. They must be neither too tight, so that they block the blade, nor too loose so that there is too much clearance between them and the blades. To adjust the ledger plates in both directions loosen the locking bolts (fig. 12) and adjust the pressure screw. The ledger plates should be replaced when worn even if they are still able to apply pressure against the blades. Adjust the freeplay between the blade and the strip by loosening the screws fixing the plates pressing the strip and moving the strip forward until it touches the bar which supports the nailed blade section. Then re-tighten the pressing plates. To remove the blade take off the L-shaped blade coupling by loosening the two screws (fig. 13, n. 3) and slip off the blade. Take care to tighten the fixing screws of the coupling after assembling the blade again. Always use sharp blades: the machine will be subject to less strain and its working life will be longer. Clean the cutting bar after every working day, removing any remaining pieces of grass or earth; frequently that all screws are tight.

SNOW THROWER

This implement (fig. 14) has been especially designed for this particular walking tractor. It is very useful for clearing snow from yards, driveways, etc. It consists of a turbine rotary unit enclosed in a special case open at the front, which rotates at high speed, collecting the snow and throwing it along a pipe. The pipe angle can be adjusted to throw the snow in any direction to a distance of 8 – 10 metres. The snow thrower is fixed to the implement flange using two nuts. The handlebar must be turned through 180° towards the engine; for this operation follow the directions outlined above for the cutting bar. To engage the snow thrower the safety system preventing the reverse gear and the PTO from being engaged at the same time (which is then necessary with the rotary tiller), has to be deactivated. The operator has to remove the screw (fig. 2).

Important: if the rotary tiller is connected again, the safety system has to be brought back to its original working condition. Grillo bears no responsibility in case of non-compliance with this rule (fig. 2 – fig. 2A).

The snow thrower is 70 cm wide and can clear snow up to 40 cm deep. Wheel weights or wheel chains should be used to obtain a better performance. If the snow is very wet, keep the ejection pipe turned forward to avoid obstructions at the outlet. The two side skids must be adjusted so that they just skim level ground (asphalted streets) or keep the snow thrower high if the ground is uneven. **Maintenance:** when work is over, remove any snow left in the snow thrower so it cannot freeze and block the turbine. Often check the oil level in the central box. **Do not clean the attachment when the engine is running. Attention, danger! Never touch the snow thrower while it is working.**

IMPORTANT: While mounting the different attachments make sure the machine flanging and the attachment flanging are perfectly aligned. First hand-tighten the bolts then use a wrench to make them press on the flanging (fig. 4F).

PLOUGHS

The ploughs (fig. 15) designed for this walking tractor have been especially developed to obtain good ploughing without straining the operator. The models available are a single-share plough and an 180° roll-over plough. The latter is especially suitable when working backwards and forwards, such as along rows of vines or fruit-trees. The depth of the furrow obtained may vary from 10 to 15 cm depending on the terrain. Better results are obtained by fitting the 5.00-12 tyres and if necessary the wheel-weights which increase the wheel grip.

ROTARY CUTTER

The 75 cm rotary cutter (fig. 16) is designed for the maintenance of grounds with too high grass. The high power available, the driving wheels, the working speeds and the reverse gear allow operation in the most difficult conditions without straining the operator and with considerable time saving. The rotary cutter is fixed to the implement flange. The handlebar must be turned through 180° towards the engine (to carry out this procedure follow the instructions outlined above for the cutting bar). To engage the rotary cutter the safety system preventing the reverse gear and the PTO from being engaged at the same time (which is then necessary with the rotary tiller), has to be deactivated. The operator has to remove the screw (fig. 2). **Important: if the rotary tiller is connected again, the safety system has to be brought back to its original working condition. Grillo bears no responsibility in case of non-compliance with this rule (fig. 2 – fig. 2A).** The blade is driven by means of a bevel gear pair and is equipped with a release mechanism and a brake blade. To adjust the cutting height vary the position of the rotary cutter wheel, or of the lateral rams.

CAUTION: Rotating blades are very dangerous, never put hands or feet under the rotary cutter. Do not clean the attachment when the engine is running.

Maintenance: Keep the lawn mower blade well sharpened: the cut will be better and the engine will not strain. Check the gearbox oil level every 50 hours, removing the cap on the top, and make sure that the oil level is within 50 mm of the hole; if the level is lower add **80W/90 (API GL5 US-MIL-L-2105D)** gearbox oil. Change the oil once a year.

IMPORTANT: These blades are made of a special steel subjected to heat treatments. Never weld blades if broken or cracked, because they could break and be flung away becoming therefore highly dangerous for people and objects around.

TOWED TRAILER

The towed trailer is very useful for short hauls around the farm. It is easy to handle, compact and very quickly hitched to the walking tractor. The trailer can be attached directly to the machine by hitching it to the special towing bar (fig. 17) leaving the tiller in place. Max. load: 300 kg on even grounds. **Do not use the trailer on slopes greater than 5%. Passengers are not allowed. The trailer cannot be used on public roads.**

WHEEL-WEIGHTS

These are mounted on the wheel rims and fixed with two of the four nuts which fix the wheels themselves. They increase the weight of the machine and thus its adherence to the ground, and their use is recommended when working with the plough, the adjustable furrower, and even the rotary tiller and the trailer if special performances are required (fig. 18).

QUICK COUPLING

The snap coupling is designed to allow various implements to be hitched to the machine easily; the implement is disconnected by simply pulling a lever, without the aid of spanners. This accessory consists of two parts, one fixed to the machine and the other to the implement. Users are therefore advised to purchase just one piece for the machine, and one for each implement (fig. 19). Grease every 50 hours. It can be of two types: 50mm and 60mm.

CAUTION: Never use the tiller with the quick coupling, because the tiller would be too near to operator's feet.

TOW BAR

The towing bar is needed to attach the riding sulky or the trailer to the machine without removing the rotary tiller. This attachment must be fastened to the towing hook on the walking tractor (fig. 20).

ROTARY TILLER SUPPORT WHEEL

It is very useful while transferring the machine, because it keeps the rotary tiller off the ground, making transfer easier and less tiring (fig. 21). **CAUTION: Keep your hands and feet away from the rotary tiller hood when the engine is running, rotation of the tiller is highly dangerous. Before connecting or removing the support wheel, ALWAYS SWITCH OFF THE ENGINE.**

ALL PURPOSE FLAIL

It is 68 cm wide, has a roller fitted with swinging Y-tines and is able to cut tall grass, tough stalks and small shrubs into fine pieces; it can also twigs etc. after pruning. Used with mower blades instead of the y tines, it gives excellent results on smooth lawns (fig. 22). **Attention, danger! The rotating blades of the all purpose flail are highly dangerous. Never put hands or feet under the all purpose flail. Never clean the attachment when the engine is running.**

The all purpose flail has to be connected to the implement flange using the quick coupling. The handlebar must be turned through 180° towards the engine (to carry out this procedure follow the instructions outlined above for the cutting bar). To engage the all purpose flail the safety system preventing the reverse gear and the PTO from being engaged at the same time (which is then necessary with the rotary tiller) has to be deactivated. **The operator has to remove the screw (fig. 2). Important: if the rotary tiller is connected again, the safety system has to be brought back to its original working condition. Grillo bears no responsibility in case of non-compliance with this rule (fig. 2 – fig. 2A).**

WHEEL EXTENSIONS

These help to widen the machine's track and increase its stability on crosswise slopes. They must be fixed between the wheels and the hubs. The track is widened by 6 cm on each side (fig. 23).

WIDE STEEL WHEELS

These wheels are particularly advisable when working on very hard soils with the rotary tiller. The cross bars placed around the wheels dig into the ground, giving the machine a firm grip and preventing the wheels from skidding (fig. 24). The wide steel wheels can be also used when tyres or the narrow steel wheels, might skid or sink in damp or recently tilled ground. The use of wide steel wheels is recommended, although only in these cases. Otherwise tyres are generally advisable; if special grip is not required, they give the machine more even traction and form an

elastic buffer between the machine and the ground. Twin rings are also available for fitting to these wheels.

ADJUSTABLE WHEELS SPACER

These innovative screw spacers are advisable above all for ploughing. If you have to change the track gauge, please unlock the two keys kept by the springs, start the machine, put the first gear, block the differential lock and release the clutch when the engine is at minimum; in this way the track gauge is automatically changed. Attention not to unscrew them completely. Position the keys and respective springs again. Now you can change the track gauge, lifting the machine and operating manually (fig.25).

BACK-CUTTER FURROWER

This tool is mounted at the rear of the tiller and works in tandem with it. The furrower is designed to produce irrigation and seed drills (fig. 26). For the coupling mount the bushing (fig. 9).

CAUTION: Keep your hands and feet away from the rotary tiller hood when the engine is running, rotation of the tiller is highly dangerous. Before connecting or removing the support wheel, ALWAYS SWITCH OFF THE ENGINE.

TILTING FRONT BLADE – 125 cm

This highly resistant device is ideal for removing snow and levelling mounds of soil or gravel. It can be tilted to the right and left (fig. 27). The front blade has to be connected to the implement flange using the quick coupling. The handlebar must be turned through 180° towards the engine (to carry out this procedure follow the instructions outlined above for the cutting bar)

PIVOTING BRUSH – 100 cm

This brush (fig. 28) can be attached to the machine following the mower bar's instructions. It is very useful to clean roads and squares. It can also be used to clean up 10-12 cm high fresh snow and it can be steered left or right to make drifts. It can be tilted to the right and left. The handlebar must be turned through 180° towards the engine (to carry out this procedure follow the instructions outlined above for the cutting bar). To engage the brush the safety system preventing the reverse gear and the PTO from being engaged at the same time (which is then necessary with the rotary tiller) has to be deactivated. **The operator has to remove the screw (fig. 2). Important: if the rotary tiller is connected again, the safety system has to be brought back to its original working condition. Grillo bears no responsibility in case of non-compliance with this rule (fig. 2 – fig. 2A).**

WARNINGS FOR TRANSPORT

Walking tractors cannot be used on public roads. If the machine is to be transported on a lorry or a trailer, lower the handlebar, engage the 1st gear, fasten the walking tractor to the lorry/trailer using ropes or belts. If a lifting machine is used to lift the walking tractor from the ground into the lorry/trailer make sure its lifting capacity is suitable for the walking tractor.

MOTOCOLTIVATORE G85-G85D-G107D

Gentile Cliente,

nel ringraziarLa per la fiducia e la preferenza accordata al nostro motocoltivatore, confidiamo che l'uso di questa sua nuova macchina risponda pienamente alle sue esigenze. Per l'impiego ottimale e per la sua manutenzione nel tempo, la preghiamo di leggere attentamente e seguire scrupolosamente le indicazioni di questo libretto; ciò le consentirà di ottenere i massimi risultati e salvaguardare la sua spesa. La preghiamo di conservare questo libretto, che dovrà sempre accompagnare la macchina.

DESCRIZIONE GENERALE E USO PREVISTO

Il motocoltivatore è una macchina agricola semovente ad un solo asse, equipaggiata con una fresa per la lavorazione del terreno.

Queste macchine sono impiegate per effettuare lavori di preparazione del terreno (eliminazione di infestanti, fresatura superficiale) e impiegate per piccole superfici, lavori di rifinitura, nell'interfila dei frutteti e nell'orticoltura. La macchina è costituita da un telaio portante, sul quale è installato un motore a scoppio che aziona le ruote e una presa di forza alla quale viene collegata generalmente una fresa e cui possono essere collegati anche altri utensili come frese da neve, barre falcianti, trinciaerba, lame neve, aratri, spazzolatrici, pompe irroratrici etc... La macchina è comandata da un operatore a terra che segue il movimento della stessa guidandola mediante un manubrio, su cui sono dislocati i comandi.



ATTENZIONE!

Leggere attentamente prima di avviare il motore.

Le seguenti avvertenze sono importanti per l'incolumità dell'operatore!

AVVERTENZE

La prudenza è l'arma principale nella prevenzione degli incidenti. La preghiamo vivamente di leggere con attenzione le seguenti avvertenze, prima ancora di iniziare il lavoro.

L'uso improprio del motocoltivatore e dei suoi accessori può risultare dannoso; per ridurre queste possibilità osservare le precauzioni necessarie di seguito riportate:

- 1) Prima di utilizzare il motocoltivatore, leggere attentamente tutte le istruzioni riportate su questo manuale. Prendere familiarità con i comandi ed il corretto uso della macchina.
- 2) Porre particolare attenzione alle etichette di sicurezza poste sulla macchina.
- 3) La rotazione della fresa è altamente pericolosa, **non mettere mai le mani o i piedi sotto alla fresa.**
- 4) Consentire l'uso del motocoltivatore soltanto a persone che hanno letto il presente manuale o che hanno ricevuto adeguate istruzioni per un uso sicuro e appropriato del motocoltivatore.
- 5) Tenere bambini e animali ad una distanza di almeno 15 metri dall'area di lavoro. Non consentire ad altre persone o animali di avvicinarsi al motocoltivatore quando questo viene acceso o utilizzato.
- 6) Non utilizzare il motocoltivatore in condizioni di affaticamento fisico, o sotto l'effetto di alcool, droghe o farmaci che riducano le capacità fisiche e cognitive dell'operatore.
- 7) Controllare l'area nella quale deve essere utilizzata la macchina. Prima di procedere alla fresatura rimuovere tutti gli oggetti che potrebbero danneggiare le zappe (es. pietre) o che potrebbero essere lanciati dall'apparato fresante (es. sassi, rami ecc.).
- 8) **Quando si lavora con il motocoltivatore utilizzare sempre un abbigliamento adeguato. Si consiglia d'indossare calzature di sicurezza, occhiali o visiera protettiva, cuffie o tappi antirumore, guanti da lavoro, pantaloni lunghi. Evitare di indossare indumenti o accessori che possano impigliarsi nei comandi o nella fresa (es. non indossare pantaloni larghi, sciarpe...).**
- 9) Sui pendii agire sempre con cautela, lavorare trasversalmente rispetto alla pendenza, mai in salita o in discesa, fare particolare attenzione durante il cambio di direzione, non lavorare su pendii eccessivamente ripidi.
- 10) E' vietato l'uso del motocoltivatore ai minori di 16 anni.

- 11) Prestare molta attenzione nella fase di retromarcia, assicurarsi che il terreno dietro di sé sia libero da ostacoli. In caso di pericolo lasciare il manubrio. La macchina si arresterà immediatamente.
- 12) È pericoloso azionare le leve bruscamente, col motore a massimo regime.
- 13) Per evitare il pericolo di esalazioni velenose, non adoperare il motore acceso in un locale chiuso.
- 14) **ATTENZIONE! La benzina è altamente infiammabile.** Conservare il carburante in appositi recipienti. Fare rifornimento di carburante solamente all'aperto lontano da fiamme libere e scintille. Non fumare durante questa operazione. Aggiungere il carburante sempre prima di avviare il motore, mai a motore acceso. Non togliere mai il tappo del serbatoio né aggiungere benzina quando il motore è in funzione o quando è caldo. In caso di fuoriuscita di benzina, non tentare di avviare il motore, ma allontanare la macchina dall'area dove è avvenuta la fuoriuscita evitando di creare fonti di accensione finché non si sono dissipati i vapori della benzina.
- 15) Evitare fuoriuscite di combustibile e dopo aver riempito il serbatoio pulire ogni fuoriuscita prima di avviare il motore.
- 16) Immagazzinare il carburante in contenitori specificatamente costruiti con questo obiettivo.
- 17) Lavorare solo con la luce del sole o con buona luce artificiale.

USI IMPROPRI DA EVITARE

- 18) In nessun caso utilizzare il motocoltivatore Grillo per frantumare o schiacciare materiali edilizi, plastici, metallici, radici, tronchi e rifiuti in genere.
- 19) Non utilizzare mai la macchina per trasportare persone o animali.

ULTERIORI ACCORGIMENTI PER LA SICUREZZA

- 20) **Non manomettere o disattivare i dispositivi di sicurezza.**
- 21) **Non fare nessun tipo di regolazione o pulizia col motore in moto.**
- 22) **Non fare controllare la macchina da nessuno mentre siete alla guida col motore in moto.**
- 23) L'utilizzatore è sempre responsabile dei danni arrecati a terzi, degli incidenti o dei pericoli nei quali possono incorrere.
- 24) Le zappe deformate o danneggiate devono essere sempre sostituite, mai riparate.
- 25) Usare sempre ricambi originali Grillo.
- 26) Prima di cominciare qualsiasi lavoro con la macchina, verificare che tutti i sistemi antinfortunistici di cui essa è dotata siano perfettamente funzionanti. È severamente vietato escluderli o manometterli.
- 27) Prima di iniziare il lavoro, controllare che le viti e i dadi di bloccaggio della fresa e delle zappette siano perfettamente serrati.
- 28) L'attrezzatura protettiva (cofani, parafanghi, ecc.), va assolutamente mantenuta durante i lavori di zappatura.
- 29) Non pulire la fresa con il motore acceso.
- 30) Non utilizzare la macchina a piedi nudi.
- 31) Non cambiare le regolazioni del motore, in modo particolare il numero di giri massimo.
- 32) Far raffreddare il motore prima di mettere la macchina in locali chiusi.
- 33) **ATTENZIONE:** per ridurre il pericolo di incendio mantenere il motore, la marmitta e i collettori di scarico liberi da erba, foglie, polvere ecc..
- 34) Se dovete svuotare il serbatoio carburante eseguite l'operazione all'aperto.
- 35) Non correre, ma accompagnare la macchina sempre e solo camminando.
- 36) Avviare la macchina tenendo i piedi ben distanti dalla fresa.
- 37) Non sollevare o trasportare la macchina quando il motore è acceso.
- 38) **Non immagazzinare mai la macchina con benzina nel serbatoio all'interno di un edificio dove i vapori possano raggiungere una fiamma libera o una scintilla.**
- 39) Non utilizzare mai la macchina né per spingere né per trainare.
- 40) I motocoltivatori Grillo sono stati progettati unicamente per essere utilizzati con accessori originali Grillo o con accessori di produttori autorizzati dalla stessa ditta Grillo. Non installare sulla macchina accessori non originali, o prodotti da aziende non autorizzate da Grillo o comunque modificati da personale non autorizzato da Grillo. Per qualsiasi dubbio contattare sempre un rivenditore autorizzato Grillo

Ogni utilizzo improprio comporta il decadimento della garanzia ed il declino di ogni responsabilità del costruttore.

ATTENZIONE!

Nell'uso continuativo della macchina si raccomanda l'utilizzo di sistemi per proteggere l'udito. Utilizzare tappi e cuffie conformi alle vigenti normative in materia (fig. A).



FIG. A

IDENTIFICAZIONE E ASSISTENZA



IDENTIFICAZIONE

La macchina è fornita di una targhetta posta sul telaio con il numero di matricola. Questo numero è indispensabile per ogni richiesta di intervento tecnico e per l'ordinazione dei ricambi.

SERVIZIO ASSISTENZA

Questo manuale fornisce le indicazioni per l'uso del motocoltivatore e per una corretta manutenzione di base, eseguibile dall'utilizzatore. Per gli interventi non descritti in questo libretto, interpellare il rivenditore autorizzato più vicino.

RICAMBI

Si raccomanda di impiegare esclusivamente ricambi originali, gli unici che offrono caratteristiche di sicurezza e intercambiabilità. Ogni richiesta deve essere corredata del numero di matricola. Per i ricambi del motore, attenersi a quanto indicato nel libretto specifico.

GARANZIA

La garanzia è fornita nei modi e nei limiti indicati dalla legge vigente. Il rivenditore dovrà obbligatoriamente consegnare il certificato di garanzia della macchina al cliente finale, stampando una copia della registrazione dal sito Grillo. Per quanto riguarda il motore, valgono le condizioni previste dai rispettivi Produttori.

COME ORDINARE I RICAMBI

Indicare sempre il numero di matricola della macchina e il numero di codice del pezzo da sostituire. Rivolgersi ai nostri centri ricambi presenti in ogni provincia; oppure presso le nostre officine, il nostro indirizzo è:

GRILLO S.p.A.
Via Cervese 1701 - 47521 CESENA (FC)
Tel. 0547 / 633111 - Fax 0547 / 632011
Web site: www.grillospa.it - E-mail: grillo@grillospa.it

CARATTERISTICHE TECNICHE G85-G85D

TIPI MOTORE:

- **EX 27**, OHC, 265 cc, 8,3 HP (a 3600 giri/min.), monocilindrico 4 tempi, a benzina.
- **GR 300**, 302 cc, 9,3 HP (a 3600 giri/min.), monocilindrico, 4 tempi, a benzina.
- **HONDA GX270**, 270 cc, 8,4 HP (a 3600 giri/min.), monocilindrico, 4 tempi, a benzina.
- **KD15 350**, 349 cc, 7,5 HP (a 3600 giri/min.), monocilindrico, 4 tempi, a diesel.

Disponibili versioni con avviamento elettrico.

MACCHINA:

Frizione: conica attiva.

Cambio: a ingranaggi a 4 marce di cui 2 avanti + 2 in retromarcia sia in versione motocoltivatore che in versione falciatrice (girando le stegole).

Le velocità di avanzamento in Km/h con motore a 3600 giri/min. sono le seguenti:

MARCIA	VELOCITA' CON RUOTE 4.00-8
Ia	1,1
IIa	2,6
Ia RM	1,1
IIa RM	2,6

Presa di forza: a 965 giri indipendenti dal cambio con motore a 3600 giri/min.

Ruote: pneumatici 4.00-8 - 4.00-10 - 5.00-10.

Fresa: standard cm. 58 registrabile a cm. 37-47-68.

Stegola: regolabile in altezza e lateralmente in più posizioni - reversibile.

Carreggiata: misure all'esterno delle ruote: con ruote pneumatiche 4.00-8 cm. 42; con ruote metalliche a gabbia cm. 36-44.

Attrezzi ed accessori: fresa, bifresa, barra falciante, spazzaneve, aratro, assolcatore, rasaerba, trinciaerba, pompa irrigazione, pompa irrorazione, rimorchio trainato, ruotina fresa, tiro traino, zavorre, ruote in ferro, sarchiatore, carrello contenitore, ranghinatore, ruspa frontale, biotrituratore, spazzolatrice.

CARATTERISTICHE TECNICHE G107D

TIPI MOTORE:

- **EX 27**, OHC, 265 cc, 8,3 HP (a 3600 giri/min.), monocilindrico 4 tempi, a benzina.
- **GR 300**, 302 cc, 9,3 HP (a 3600 giri/min.), monocilindrico, 4 tempi, a benzina.
- **HONDA GX270**, 270 cc, 8,4 HP (a 3600 giri/min.), monocilindrico, 4 tempi, a benzina.
- **KD15 440**, 441 cc, 11 HP (a 3600 giri/min.), monocilindrico, 4 tempi, a diesel.

Disponibili versioni con avviamento elettrico.

MACCHINA:

Frizione: conica attiva.

Cambio: a ingranaggi a 6 marce di cui 3 avanti + 3 in retromarcia sia in versione motocoltivatore che in versione falciatrice (girando le stegole).

Le velocità di avanzamento in Km/h con motore a 3600 giri/min. sono le seguenti:

MARCIA	VELOCITA' CON RUOTE 4.00-10
Ia	1,2
Ila	2,2
IIla	3,3
Ia RM	1,2
Ila RM	2,2
IIla RM	3,3

Presa di forza: a 965 giri indipendenti dal cambio con motore a 3600 giri/min.

Ruote: pneumatici 4.00-8 - 4.00-10 - 5.00-10.

Fresa: standard cm. 58 registrabile a cm. 37-47-68.

Stegola: regolabile in altezza e lateralmente in più posizioni - reversibile.

Carreggiata: misure all'esterno delle ruote: con ruote pneumatiche 4.00-8 cm. 42; con ruote metalliche a gabbia cm. 36-44.

Attrezzi ed accessori: fresa, bifresa, barra falciante, spazzaneve, aratro, assolcatore, rasaerba, trinciaerba, pompa irrigazione, pompa irrorazione, rimorchio trainato, ruotina fresa, tiro traino, botte sotto stegola, zavorre, ruote in ferro, sarchiatore, carrello contenitore, ranghinatore, ruspa frontale, biotrituratore, spazzolatrice.

MESSA IN OPERA DELLA MACCHINA

- 1) Controllare l'integrità della macchina per verificare che non abbia subito danni nel trasporto.
- 2) Estrarre la macchina dall'imballo facendo molta attenzione a non rovinare leve e cavi. Utilizzare un apposito sollevatore della portata minima di 200 kg. Prima di poggiare la macchina a terra, montare gli pneumatici avendo cura di serrare correttamente i dadi di fissaggio (fig. 3 n.8).
- 3) La macchina, per ottimizzare l'imballaggio, viene consegnata con il manubrio posizionato in versione falciatrice (manubrio sopra il motore). Se si desidera posizionare il manubrio di guida in versione fresa premere la leva (fig. 3A, n. 12) e ruotare il manubrio in senso antiorario di 180°, lentamente, facendo attenzione a non forzare il meccanismo di inversione e a non schiacciare i cavi. Successivamente inserire le aste di comando marce e presa di forza negli occhielli inferiori (fig. 3A per G85-G85D - fig. 3B per G107D).
- 4) Prima di montare l'accessorio riempire di grasso la flangiatura PTO della macchina. Successivamente montare l'attrezzo (ad es. fresa, aratro, ecc.) e serrare a fondo i dadi di fissaggio (fig. 4A n. 20).
- 5) Inserire l'olio motore, attenersi all'apposito libretto allegato.
- 6) Controllare l'olio cambio - fig. 6 (olio MP 80W 90, corrispondenza internazionale API GL5, US MIL-L- 2105D, quantità 2,2 litri per G85, 1,9 litri per G85D e G107D).
- 7) Inserire l'olio nel filtro aria a bagno d'olio (per versioni con questo tipo di filtro), utilizzare lo stesso tipo di olio del motore (fig. 7A).
- 8) Verificare la pressione dei pneumatici vedi tabella:

PRESSIONE PNEUMATICI			
4.00-8	2 PLY RATING		1,1 BAR
4.00-10	2 “ “		1,1 “
5.00-10	2 “ “		1,5 “

- 9) Per versioni con avviamento elettrico controllare il voltaggio della batteria, non deve risultare inferiore al valore di 12,5 volt, eventualmente provvedere alla carica a 12,5 volt su carica lenta per 2 ore.

IMPORTANTE!

Durante il montaggio evitare di invertire le polarità della batteria.

- 10) Riempire il serbatoio di carburante servendosi di un imbuto munito di filtro molto fine.
- 11) I controlli dei livelli vanno eseguiti con la macchina orizzontale.

ISTRUZIONI D'USO

Prima di avviare il motore controllare sempre:

- I livelli dell'olio nel motore (fig. 5, rif. A) e nella scatola cambio; il tappo di livello è posto sul coperchio superiore (fig. 6); l'olio deve arrivare fra le due tacche.
- Che tutte le viti e i dadi siano ben serrati, in particolare quelli di fissaggio delle zappe e degli attrezzi al motocoltivatore.
- Che tutte le leve siano in posizione di folle.
- Che il filtro aria (vers. a secco) sia ben pulito (fig. 7). Attenzione! Non soffiate la cartuccia con l'aria compressa, se risulta molto intasata va sostituita.
- Che il filtro dell'aria (vers. a bagno d'olio) sia ben pulito e l'olio a livello (fig. 7A).
- controllare il livello olio del carter fresa (fig. 4D n. 3)
- riempire il serbatoio di carburante servendosi di un imbuto munito di un filtro molto fine.

AVVIAMENTO DEL MOTORE A BENZINA

Aprire il rubinetto del carburante (fig. 4B n. 21), spingere fino a metà corsa il manettino acceleratore (fig. 3 n. 14) e azionare il dispositivo starter se il motore è freddo (fig. 4B, n. 18).

- Per accendere il motore con l'avviamento a strappo: tirare con forza la manopola dell'autoavvolgente (fig. 4B n. 6).
- Per accendere il motore con l'avviamento elettrico: ruotare la chiave di accensione posta sul motore.

AVVIAMENTO DEL MOTORE DIESEL

Spingere fino a metà corsa il manettino acceleratore (fig. 3 n. 14), assicurarsi che il manettino spegnimento (fig. 3 n. 25) sia ruotato tutto in alto.

- Per accendere il motore con l'avviamento a strappo: tirare con forza la manopola dell'autoavvolgente (fig. 4B n. 6).
- Per accendere il motore con l'avviamento elettrico: ruotare in senso orario la chiave di accensione posta sul manubrio (Fig. 4C, n. 26).

AVVIAMENTO DELLA MACCHINA

Per macchine G85 e G85D, assicurarsi che leva retromarcia (fig. 3A n. 2) sia posizionata in marcia avanti.

- Selezionare la marcia desiderata agendo sull'apposita leva (fig. 3A n. 15). Nel caso la marcia non si innestasse subito non forzare la leva, ma dare dei piccoli colpi di frizione e accompagnare la leva fino al completo inserimento della marcia.
- La macchina si mette in movimento premendo sul fermo di sicurezza grigio (fig. 3A n. 27) e poi abbassando la leva rossa della frizione (fig. 3A n. 1).

Abbandonando la presa della leva rossa (fig. 3A n. 1) la macchina si ferma, ma il motore rimane acceso, la leva rossa della frizione ritorna nella posizione verticale.

INIZIO DEL LAVORO (macchina in versione motocoltivatore)

Per azionare la fresa, spingere in avanti la leva presa di forza (fig. 3A, n. 13) fino a percepire lo scatto dell'innesto. Se non dovesse innestarsi subito, non forzare la leva, ma dare dei piccoli colpi di frizione e accompagnare la leva fino al completo inserimento.

ATTENZIONE: quando la fresa è in funzione non mettere mai le mani e i piedi sotto il cofano, non alzare lo sportello della fresa. Lo sportello deve rimanere aderente al terreno per consentire un utilizzo sicuro della macchina.

NOTA: Per evitare problemi alla frizione durante il lavoro la leva rossa va mantenuta ben premuta.

Attenzione: non lavorare con la leva della frizione parzialmente premuta.

Per disinnestare la fresa tirare verso di sé la leva presa di forza (fig. 3A, n. 13)

RETROMARCIA PER MACCHINE G85 E G85D (macchina in versione motocoltivatore)

Per inserire la retromarcia con la macchina G85 o G85D in versione motocoltivatore si deve spingere l'apposita leva (fig. 3A, n. 2). Se non dovesse innestarsi subito la retromarcia, non forzare la leva, ma dare dei piccoli colpi di frizione e accompagnare la leva fino al completo inserimento.

ATTENZIONE: Prima di abbassare la leva rossa della frizione per avviare la macchina verificare sempre se è inserita la marcia avanti o la retromarcia (vedi decalcomania fig. 1)

RETROMARCIA PER MACCHINE G107D

Per inserire la retromarcia con la macchina G107D occorre premere l'apposita leva (Fig. 3B n. 2).

ATTENZIONE: per evitare di rovinare gli ingranaggi del cambio, prima va premuta la leva della retromarcia e poi va abbassata la leva rossa della frizione.

ATTENZIONE: In tutti i motocoltivatori Grillo, per motivi di sicurezza, non è possibile inserire la retromarcia quando la presa di forza che aziona la fresa è innestata. Per utilizzare la retromarcia occorre prima disinserire la presa di forza.

QUANDO SI UTILIZZA LA MACCHINA IN VERSIONE MOTOCOLTIVATORE ASSICURARSI CHE LA VITE DI SICUREZZA SIA POSIZIONATA COME INDICATO NELLE FIG. 2A.

IN CASO DI PERICOLO RILASCIARE IMMEDIATAMENTE LA LEVA ROSSA DELLA FRIZIONE (fig. 3A - 3B, n. 1), LA MACCHINA E LA FRESA SI ARRESTERANNO IMMEDIATAMENTE

REGOLAZIONE DEL MANUBRIO

Per regolare l'altezza del manubrio sbloccare l'apposita leva (fig. 3A, n. 10), alzare o abbassare il manubrio e in seguito rilasciare la leva per bloccarne la posizione. Per ruotare il manubrio premere l'apposita leva (fig. 3A, n. 12), ruotare il manubrio verso destra o verso sinistra e in seguito rilasciare la leva per bloccarne la posizione.

BLOCCAGGIO E SBLOCCAGGIO DEL DIFFERENZIALE

La macchina Grillo G85 ha l'asse delle ruote fisso per cui senza differenziale.

Le macchine Grillo G85D e G107D sono dotate di differenziale sull'asse ruote, sul lato destro del manubrio è posizionata una leva a T (fig. 3A - 3B n. 22) che consente all'operatore di bloccare (leva indietro) o di sbloccare (leva in avanti) il differenziale.

Normalmente si lavora con il differenziale sbloccato (leva fig. 3A n. 22 in avanti) per rendere la macchina più manovrabile e per facilitare le sterzate.

Nel caso si stia lavorando su terreni con scarsa aderenza, per migliorare la trazione è utile bloccare il differenziale (leva fig. 3A n. 22 indietro)

SPEGNIMENTO DEL MOTORE A BENZINA

Portare il manettino acceleratore in posizione "0" (fig. 3A, n. 24).

ATTENZIONE: Per macchine con avviamento elettrico, dopo avere spento il motore, riportare la chiave di accensione in posizione OFF (fig. 4C, n. 26). Se la chiave rimane in posizione di avviamento con il motore spento vi è il rischio di scaricare completamente la batteria.

SPEGNIMENTO DEL MOTORE DIESEL

Premere completamente la leva di spegnimento posta sul lato sinistro del manubrio (fig. 3A - 3B n. 25).

ATTENZIONE: Per macchine con avviamento elettrico, dopo avere spento il motore, ruotare la chiave di accensione in senso antiorario, per scollegare la batteria (vedi fig. 4C, n. 26). Se la chiave rimane in posizione di avviamento con il motore spento vi è il rischio di scaricare completamente la batteria.

FINE LAVORO

Terminato il lavoro, spegnere il motore, togliere la chiave di accensione (per macchine con avviamento elettrico) mettere il cambio in folle e disinserire la PTO.

Con il cambio in posizione di folle (contraddistinta con lettera F) è possibile spostare la macchina manualmente.

ATTENZIONE: non lasciare mai la macchina in pendenza con il cambio in posizione di folle. Se è necessario parcheggiare la macchina in pendenza inserire sempre la marcia nr. 1.

ATTENZIONE: non lasciare mai la macchina incustodita e/o alla portata di bambini o di persone che non hanno letto il presente manuale o che non hanno ricevuto adeguate istruzioni per un uso sicuro e appropriato del motocoltivatore.

POSSIBILI INCONVENIENTI E LORO RIMEDI

Diamo qui di seguito un elenco dei piccoli inconvenienti che possono avvenire nell'uso del motocoltivatore e che possono essere rimediati direttamente dal cliente:

- 1) Il motore non si accende (**motore a benzina**). Eseguire nell'ordine i seguenti controlli:
 - che il serbatoio della benzina sia pieno almeno per metà;
 - che il rubinetto della benzina sia aperto;
 - che lo starter sia azionato (se il motore è freddo);
 - che la benzina arrivi al carburatore;
 - che il foro di sfiato sul tappo del serbatoio non sia otturato;
 - che il filtro a rete all'entrata del carburatore sia pulito;
 - che i getti del carburatore siano puliti. Per controllarli, svitarli e se sporchi, pulirli con un getto d'aria;
 - che la candela dia la scintilla. Per far questo controllo, smontare la candela, ricollegarla al cavo che le porta la corrente, appoggiare la parte metallica a massa, e far girare la puleggia del motore come per avviarlo. Se non si vede scoccare la scintilla tra i due elettrodi, provare a controllare i collegamenti del cavo della candela e se la corrente non arriva ancora, sostituire la candela. Se anche quest'ultima sostituzione non desse effetto, il guasto è da ricercarsi nell'impianto elettrico, o condensatore o bobina o in qualche altro organo, ed è conveniente rivolgersi al centro di assistenza più vicino o ad una officina specializzata.
- 2) Il motore non si accende (**motore diesel**). Eseguire, nell'ordine, i seguenti controlli:
 - che il tappo del serbatoio non abbia il foro di sfiato otturato;
 - che il serbatoio del gasolio sia pieno almeno a metà.
- 3) Se il motore è acceso ma la macchina non avanza, eseguire nell'ordine i seguenti controlli:
 - verificare che la marcia sia inserita
 - verificare che la leva rossa della frizione sia completamente premuta e che la molla della frizione (fig. 8) sia schiacciata. Nel caso non lo fosse, agire sul registro del filo frizione (fig. 3A, n. 17).
- 4) Se il motore (**motore a benzina**) non si spegne eseguire nell'ordine i seguenti controlli:
 - verificare che il manettino acceleratore (fig. 3, n. 24) sia completamente chiuso (posizione 0).
 - verificare che il cavo elettrico dello spegnimento motore sia collegato correttamente al manettino acceleratore e al connettore sul motore.
- 5) Se il motore (**motore a Diesel**) non si spegne eseguire nell'ordine i seguenti controlli:
 - verificare che il manettino spegnimento motori Diesel posto sul lato sinistro del manubrio (fig. 3A, n. 25) sia completamente premuto verso il basso.
 - verificare che il cavo dello spegnimento sia collegato correttamente al motore.

PERIODI DI LUNGA INATTIVITÀ

Nel caso la macchina non debba essere utilizzata per un lungo periodo, è opportuno adottare queste precauzioni:

- scaricare il carburante;
- lavare accuratamente il motore e la macchina. Oliare il meccanismo di inversione nel supporto stegola.

MANUTENZIONE E LUBRIFICAZIONE

ATTENZIONE!

- Scollegare la candela prima di iniziare qualsiasi intervento di pulizia, manutenzione o riparazione. Indossare indumenti adeguati e guanti da lavoro.
- Qualora si sollevi la macchina o parte di essa, usare sempre strumenti idonei quali supporti o fermi di sicurezza.
- Non lasciare la macchina in manutenzione, priva di sicurezze o sollevata, in luoghi accessibili a persone inesperte, specialmente bambini.
- Non disperdere mai nell'ambiente olii esausti, benzina, gasolio ogni altro prodotto inquinante!
- Un'efficiente manutenzione e una corretta lubrificazione contribuiscono a mantenere la macchina in perfetta efficienza.

RODAGGIO – Dopo le prime 20 ore di lavoro, sostituire l'olio motore.

MOTORE - Per gli intervalli di lubrificazione seguire le norme contenute nel libretto del motore. In linea di massima è opportuno controllare il livello dell'olio ogni 8 ore di lavoro e sostituirlo ogni 100 ore. Impiegare sempre olio motore **15W40**. Per il filtro dell'aria controllare il livello ogni 8 ore, od anche più frequentemente se l'ambiente è molto polveroso. Per ripristinare il livello usare lo stesso olio del motore (vedi libretto motore) per eventuali versioni con filtro a secco, cambiare la cartuccia se risulta molto intasata (non usate getti d'aria per pulirla).

SCATOLA CAMBIO - Controllare il livello dell'olio ogni 50 ore di lavoro togliendo il tappo e controllando che, a macchina orizzontale, l'olio arrivi tra i due bordini. Se occorre, aggiungere olio **MP 80 W/90** (API GL5 US MIL-L-2105D). Cambiare l'olio una volta all'anno.

FRESA - Controllare il livello olio ogni 100 ore, svitando il tappo; l'olio deve quasi riempire la scatola fresa. Aggiungere, se necessario, lo stesso olio del cambio (fig. 4D, n. 3).

REGOLE UTILI PER UN BUON USO:

- 1) Alzare sempre la leva rossa della frizione (fig. 3A, n. 1) prima di passare dalla marcia avanti alla retromarcia e viceversa.
- 2) Alzare sempre la leva rossa della frizione (fig. 3A, n. 1) prima di inserire la PTO.
- 3) Non lasciare mai la macchina esposta alle intemperie (pioggia, neve ecc..).
- 4) Tenere cavi e leve sempre puliti da terra e polvere.
- 5) Non forzare la leva della retromarcia, se non si innesta verificare che la leva della presa do forza (fig. 3A, n. 13) sia disinnestata.
- 6) Non forzare mai il motore. Quando fuma dallo scarico e sotto sforzo ed è necessario rallentare.
- 7) Si possono zappare anche terreni molto duri, l'importante è che il motore sia caldo e che sia stato eseguito correttamente il rodaggio.
- 8) Controllare spesso la pressione degli pneumatici.
- 9) Durante la fase di montaggio degli attrezzi (es. la fresa), cercare di non rovinare il centraggio in alluminio del carter cambio della macchina (Fig. 4F).

MANUTENZIONE DI FINE STAGIONE

Lavare la macchina con cura; sostituire l'olio sia nel motore sia nel carter cambio e fresa, pulire il filtro aria. Affilare le zappe ed ungerle; se risultano consumate: cambiarle.

ATTENZIONE: Le zappe sono realizzate in acciaio speciale sottoposto a trattamenti termici, non saldare mai le zappe se rotte o crepate, potrebbero spezzarsi ed essere lanciate anche a notevole distanza causando danni a cose e/o persone.

TABELLA RIASSUNTIVA MANUTENZIONE

OPERAZIONE		OGNI 8 ORE	PRIME 20 ORE	OGNI 50 ORE	OGNI 100 ORE	OGNI 200 ORE
Olio motore	Controllare il livello	•				
	Cambiare		•		•	
Filtro aria	Controllare	•				
	Sostituire				*	
Candela	Controllare/registrare				•	
	Sostituire					•
Olio cambio	Controllare il livello	•		•		
	Sostituire					•
Controllare che la griglia aspirazione motore sia ben pulita		•				
Barra falciante	Controllare attacco lama		•	•		
	Lubrificare	•				
Controllare affilatura e fissaggio zappe			•	•		
Lubrificare con grasso		•				
Controllo gioco frizione			•	•		

• operazione raccomandata

* operazione da eseguire se necessario

ACCESSORI**FRESA**

La fresa serve per rompere lo strato superficiale del terreno onde aumentare la permeabilità ed allo stesso tempo per liberarlo dalle erbe infestanti. La fresatura si può eseguire in prima velocità se il terreno è duro e tenace o in seconda se il terreno è sciolto o sabbioso. La profondità di fresatura può essere variata alzando od abbassando il coltello centrale posto sotto il corpo fresa. Per aumentare la profondità bisogna spostare il coltello verso l'alto. È buona norma iniziare il lavoro col coltello nella posizione più bassa ed alzarlo poi se si vuole ottenere maggiore profondità. (fig. 4E).

N.B.: Nei terreni duri, se la macchina tende a saltare in avanti, abbassare al massimo il coltello fissandolo nel terzo foro (fig. 4E). Controllare che il montaggio dei coltelli sia corretto.

ATTENZIONE: in versione motocoltivatore, non è possibile inserire la retromarcia con la presa di forza innestata. Il sistema di sicurezza deve essere posizionato come in Fig. 2A Non manomettere per nessun motivo il sistema di sicurezza.

ATTENZIONE: Non mettere mai le mani o i piedi sotto il cofano della fresa con il motore acceso, la rotazione delle zappe è altamente pericolosa. Prima di eseguire qualsiasi operazione sulla fresa (es. sostituzione di una zappa ecc.) **SPEGNERE SEMPRE IL MOTORE.**

ASSOLCATORE REGISTRABILE

L'assolcatore registrabile è un attrezzo particolarmente studiato per eseguire solchi di semina o di irrigazione. Si applica come gli aratri e la fresa sulla flangia attacco attrezzi situata nella parte posteriore della scatola cambio. La possibilità di variare la posizione delle due ali permette la regolazione della larghezza del solco da un minimo di 10 ad un massimo di 30 centimetri. La profondità ottenibile può variare da 10 a 20 cm. Nel caso si debba operare in terreni particolarmente duri è opportuno eseguire prima una operazione di fresatura e quindi procedere al lavoro con l'assolcatore. Si possono ottenere prestazioni ottimali montando le ruote pneumatiche 5.00-12 ed eventualmente le zavorre che aumentano l'aderenza (fig. 10).

BARRA FALCIANTE

La barra falciante applicabile al motocoltivatore è a comando centrale. La costruzione robusta e l'elevato rendimento la rende il mezzo ideale per falciare piccoli appezzamenti di terreno dove non sia giustificato l'acquisto di una motofalciatrice, che rimarrebbe inutilizzata per gran parte dell'anno, mentre il motocoltivatore può essere utilizzato con altri attrezzi. La barra va montata sull'attacco attrezzi del motocoltivatore, al posto della fresa, e fissata con gli stessi due dadi. Il manubrio va ruotato di 180° portandolo dalla parte del motore. Prima di ruotare il manubrio il cambio va messo in 1^a, quindi vanno sganciate le aste di comando marce e presa di forza. Una volta girato il manubrio le aste vanno reinserite nei supporti superiori.

Avendo ruotato il manubrio il meccanismo nel supporto stegola permette lo sfruttamento di tutte le marce come nella versione motocoltivatore. Per inserire il movimento alla lama bisognerà disattivare il dispositivo di sicurezza che impedisce l'innesto contemporaneo della retromarcia e della presa di forza (necessario invece per l'uso della fresa). Per fare ciò basterà togliere la vite che fa da contrasto contro la leva della presa di forza impedendo il doppio innesto (Fig. 2).

Importante: se viene rimontata la fresa è obbligatorio rimettere nelle condizioni iniziali il dispositivo di sicurezza. Non si assumono responsabilità per la mancata osservanza di questa norma (fig. 2 e fig. 2/A).

Manutenzione: ingrassare ogni 8 ore di lavoro i perni della crociera attraverso l'ingrassatore posto sulla manovella oscillante. Ingrassare ogni 50 ore di lavoro anche la boccia di oscillazione barra, attraverso l'ingrassatore posto sotto la protezione oscillante.

Mantenere registrata la lama con opportuna regolazione dei premilama che non debbono essere tanto stretti da bloccare la lama ma nemmeno permetterle un gioco eccessivo rispetto alle piastrine dei denti. Per effettuare le registrazioni dei premilama per i due tipi, si allentano le viti di bloccaggio (fig. 12) e si regola la vite di pressione. Quando i premilama sono consumati, conviene procedere alla loro sostituzione anche se possono premere ancora. Registrare il gioco tra la lama e la striscia di consumo allentando le viti che fissano i premistriscia e spostando in avanti la striscia fino ad appoggiare contro l'asta che porta chiodate le sezioni lama. Bloccare poi di nuovo i premistriscia. Per smontare la lama togliere l'attacco lama L smontando le due viti (fig. 13 n° 3) e sfilare la lama. Avere cura, dopo aver rimontato la lama, di stringere bene le viti di fissaggio dell'attacco. Usare sempre lame ben affilate: la macchina forzerà meno e durerà di più. Dopo ogni giornata di lavoro lavare la barra falciante liberandola da ogni residuo di erba o terra; controllare saltuariamente che tutte le viti siano ben serrate.

SPAZZANEVE

Questo attrezzo (fig. 14) studiato appositamente per questo motocoltivatore, è molto utile per lo sgombero della neve da piazzali, accessi di garage, ecc. È costituito da una fresa turbina, racchiusa in un apposito carter aperto sul davanti, che girando ad elevato regime di rotazione raccoglie la neve e la espelle attraverso un tubo di lancio ad inclinazione regolabile. La neve può essere così gettata fino ad una distanza di 8-10 m. nella direzione voluta (a destra o a sinistra o in avanti con tutte le posizioni intermedie). Lo spazzaneve si monta sulla flangia attacco attrezzi e si fissa con i due dadi. Il manubrio va ruotato di 180° portandolo dalla parte del motore; per far questo seguire le istruzioni date per il montaggio della barra falciante. Per mettere in rotazione lo spazzaneve bisognerà disattivare il dispositivo di sicurezza che impedisce l'innesto contemporaneo della retromarcia e della presa di forza (necessario invece per l'uso della fresa). **Per fare ciò basterà togliere la vite che fa da contrasto contro la leva della presa di forza impedendo il doppio innesto (Fig. 2).**

Importante: se viene rimontata la fresa è obbligatorio rimettere nelle condizioni iniziali il dispositivo di sicurezza. Non si assumono responsabilità per la mancata osservanza di questa norma (fig. 2 e fig. 2/A).

Lo spazzaneve è largo 70 cm. ed è in grado di sgomberare la neve fino ad una altezza massima di 40 cm. Per ottenere delle buone prestazioni è consigliabile montare le zavorre o le catene. Nel caso la neve fosse molto bagnata è opportuno tenere la bocca di lancio diretta in avanti per evitare intasamenti nell'uscita. Le due slittine laterali vanno regolate in modo da sfiorare appena il terreno, se questo è ben piano (strade asfaltate), o da tener alto lo spazzaneve se il terreno è accidentato.

Manutenzione: terminato il lavoro è sempre opportuno rimuovere la neve rimasta nello spazzaneve per evitare che, gelando, blocchi la girante della turbina.

Non pulire l'attrezzo col motore in moto. Attenzione, pericolo! Non toccare per nessun motivo la parte in movimento dello spazzaneve.

ATTENZIONE:

Montando i vari attrezzi sulla flangia attacco attrezzi fare combaciare perfettamente la flangiatura della macchina con quella dell'attrezzo, in modo da mantenere un perfetto centraggio. I dadi dei due prigionieri devono essere accostati a mano fino alla fine della loro corsa e poi serrati con una chiave in maniera che stringano contemporaneamente sulla flangiatura (fig. 4F).

ARATRI

Gli aratri (fig. 15) studiati per il motocoltivatore sono stati particolarmente messi a punto per ottenere dei buoni lavori di aratura senza affaticare eccessivamente l'operatore. Sono disponibili due tipi: monovomere oppure voltaorecchio a 180°. Quest'ultimo è particolarmente indicato dove si debbano eseguire lavorazioni nei due sensi, come rincalzature di filari di vigneti o frutteti. La profondità del solco ottenibile può variare dai 10 ai 15 cm. a seconda del terreno. Le prestazioni ottenibili sono ottimali montando le ruote pneumatiche 5.00-12 ed eventualmente le zavorre che aumentano l'aderenza.

TRINCIAERBA

Il trinciaerba a lama rotante cm 75 per il motocoltivatore (fig. 16) è stato studiato per la manutenzione di appezzamenti con erbe alte. Infatti l'elevata potenza a disposizione, le ruote motrici, le velocità di lavoro, il meccanismo di inversione, permettono di operare nelle condizioni più gravose senza affaticamento dell'operatore e con notevole risparmio di tempo. Il trinciaerba si applica sull'attacco attrezzi del motocoltivatore e si fissa con i due dadi. Il manubrio va ruotato di 180° portandolo dalla parte del motore; per fare questo seguire le istruzioni date per il montaggio della barra falciante. Per mettere in rotazione il trinciaerba bisognerà disattivare il dispositivo di sicurezza che impedisce l'innesto contemporaneo della retromarcia e della presa di forza (necessario invece per l'uso della fresa). **Per fare ciò basterà togliere la vite che fa da contrasto contro la leva della presa di forza impedendo il doppio innesto (Fig. 2).**

Importante: se viene rimontata la fresa è obbligatorio rimettere nelle condizioni iniziali il dispositivo di sicurezza. Non si assumono responsabilità per la mancata osservanza di questa norma (fig. 2 e fig. 2/A).

La trasmissione del movimento alla lama è ottenuta con una coppia di ingranaggi conici. La lama è dotata di uno scatto libero e freno lama affinché con la sua inerzia non trascini la macchina quando si aziona la frizione. La regolazione dell'altezza di taglio viene effettuata agendo sulla posizione della ruotina del trinciaerba oppure sulle slitte laterali.

ATTENZIONE: La rotazione della lama è altamente pericolosa, non mettere mani o piedi sotto al trinciaerba. Non pulire l'attrezzo col motore in moto.

Manutenzione: mantenere la lama del trinciaerba sempre bene affilata: il taglio sarà migliore e il motore forzerà di meno. Smontando e rimontando la lama stringere sempre a fondo le due viti di fissaggio. Verificare frequentemente anche il serraggio dei due dadi che fissano il trinciaerba alla macchina. Controllare ogni 50 ore di lavoro il livello dell'olio nella scatola degli ingranaggi togliendo il tappo posto sulla parte superiore della scatola e verificare che il livello dell'olio arrivi almeno a 50 mm. dal filo del foro; se il livello fosse più basso aggiungere olio per cambi **80W/90** (API GL5 US MIL-L-2105D). Cambiare l'olio una volta all'anno.

ATTENZIONE: Le lame sono realizzate in acciaio speciale sottoposto a trattamenti termici, non saldare mai le lame se rotte o usurate, potrebbero spezzarsi ed essere lanciate anche a notevole distanza causando danni a cose e/o persone.

RIMORCHIO

Il rimorchio costruito per il motocoltivatore è un accessorio molto utile per eseguire piccoli trasporti aziendali. La sua maneggevolezza, il ridotto ingombro e la rapida applicazione al motocoltivatore ne costituiscono le caratteristiche più salienti. Il rimorchio si può applicare direttamente al motocoltivatore lasciando montata la fresa e collegandolo all'apposito attacco di traino (fig.17). Portata massima: 300kg in piano. **Non usare il rimorchio su pendenze superiori al 5%. Non trasportare persone. Il rimorchio non può essere utilizzato per la circolazione stradale.**

ZAVORRE PER RUOTE

Le zavorre si montano nei cerchi delle ruote e vengono fissate con due dei quattro dadi che fissano le ruote stesse. Servono ad aumentare il peso della macchina e quindi l'aderenza; sono consigliabili nei lavori con l'aratro, con l'assolcatore registrabile ed eventualmente con la fresa o il rimorchio se si vogliono ottenere prestazioni limite (fig. 18).

ATTACCO RAPIDO

L'attacco rapido è stato studiato per avere una facile applicazione dei vari accessori alla macchina; infatti senza l'ausilio di chiavi, tirando una semplice levetta l'attrezzo si sfilava. Questo accessorio è formato da due parti, una va fissata alla macchina e una all'attrezzo. Consigliamo quindi di acquistare 1 solo pezzo per la macchina e uno per ogni accessorio (fig. 19). Lubrificare con grasso ogni 50 ore. E' di due tipi: 50 mm e 60 mm.

ATTENZIONE: non utilizzare mai la fresa con l'attacco rapido montato, l'attrezzo risulterebbe troppo vicino ai piedi dell'operatore.

TIRO TRAINO

Il tiro di traino serve per accoppiare al motocoltivatore il carrello di trasferimento o il rimorchio, senza smontare la fresa. Questo attacco si fissa al gancio di traino del motocoltivatore (fig. 20).

RUOTINO SOSTEGNO FRESA

È molto utile nei trasferimenti della macchina perché tenendo sollevata la fresa dal terreno ne rende più agevole e meno faticosa la traslazione (fig. 21).

ATTENZIONE: Non mettere mai le mani o i piedi sotto il cofano della fresa con il motore acceso, la rotazione delle zappe è altamente pericolosa. Prima montare o smontare la ruotina SPEGNERE SEMPRE IL MOTORE.

TRINCIATUTTO

E' largo 68 cm ed è dotato di rullo con zappe a Y oscillanti. Può tagliare erbe alte, canniccia e piccoli cespugli, il prodotto tagliato viene finemente sminuzzato, può tritare anche rametti di patatura. Usato con le lamette rasaerba al posto delle zappe a Y esegue un ottimo lavoro anche sul prato inglese (fig. 22). **Attenzione, pericolo! La rotazione del rullo trinciaerba è altamente pericolosa. Non mettere mani o piedi sotto al trinciatutto. Non pulire l'attrezzo col motore in moto.** Il trinciatutto si monta tramite attacco rapido sulla flangia attacco attrezzi. Il manubrio va ruotato di 180° portandolo dalla parte del motore; per far questo seguire le istruzioni date per il montaggio della barra falciante. Per mettere in rotazione il trinciatutto bisognerà disattivare il dispositivo di sicurezza che impedisce l'innesto contemporaneo della retromarcia e della presa di forza (necessario invece per l'uso della fresa). **Per fare ciò basterà togliere la vite che fa da contrasto contro la leva della presa di forza impedendo il doppio innesto (Fig. 2).**

Importante: se viene rimontata la fresa è obbligatorio rimettere nelle condizioni iniziali il dispositivo di sicurezza. Non si assumono responsabilità per la mancata osservanza di questa norma (fig. 2 e fig. 2/A).

DISTANZIALI PER RUOTE

Servono per allargare la carreggiata e aumentano quindi la stabilità della macchina sulle pendenze trasversali. Si montano interposti tra le ruote e i mozzi porta ruote e allargano la carreggiata di 6 cm. per parte (fig. 23).

RUOTE METALLICHE A GABBIA

Queste ruote trovano particolare utilizzazione nell'impiego del motocoltivatore con fresa in terreni molto duri. Infatti le traversine poste sulla circonferenza delle ruote penetrano nel terreno realizzando quindi un buon ancoraggio della macchina a terra e impedendo alle ruote di slittare (fig. 24). Le ruote a gabbia si usano anche quando le altre ruote gommate, potrebbero slittare o sprofondare in terreni molli o soffici perché appena lavorati. L'uso delle ruote a gabbia è conveniente se limitato a questi casi. Negli altri casi in genere è consigliabile l'uso delle ruote pneumatiche, che, dove non siano richieste prestazioni di aderenza limite, danno alla macchina una trazione più regolare e fanno da cuscinetto elastico tra questa e il terreno. Sono disponibili anche anelli gemellari da accoppiare a dette ruote.

ALLARGAMENTI RUOTE REGISTRABILI

Questi innovativi allargamenti a vite sono consigliati soprattutto per l'aratura.

Per variare la carreggiata sbloccare le due chiavette mantenute dalle molle, avviare la macchina, inserire la prima marcia, bloccare il differenziale, lasciare la frizione col motore al minimo; si varia automaticamente la carreggiata.

Attenzione a non svitarli completamente. Riposizionare le chiavette e relative molle. Si può procedere a variare la carreggiata, sollevando la macchina e agendo manualmente (fig. 25).

ASSOLCATORE RETROFRESA

Si applica posteriormente alla fresa e lavora congiuntamente ad essa, serve per tracciare solchi da irrigazione o semina (fig. 26). Per l'accoppiamento montare la boccola (fig. 9).

ATTENZIONE: Non mettere mai le mani o i piedi sotto il cofano della fresa con il motore acceso, la rotazione delle zappe è altamente pericolosa. Prima montare o smontare l'assolcatore retrofresa SPEGNERE SEMPRE IL MOTORE.

LAMA FRONTALE ORIENTABILE cm. 125

La sua robustezza la rende il mezzo ideale per togliere la neve e spianare cumuli di ghiaia o terriccio, è inclinabile a destra o a sinistra (fig. 27). Il manubrio va ruotato di 180° portandolo dalla parte del motore; per far questo seguire le istruzioni date per il montaggio della barra falciante.

SPAZZOLATRICE ORIENTABILE cm. 100

La spazzolatrice (fig. 28) applicabile all'attacco attrezzi del motocoltivatore si monta con la stessa procedura della barra falciante. E' molto utile per la pulizia di vialetti, piazzali, ecc... E' indicata per spazzare anche la neve fresca fino ad un'altezza di 10/12 cm. La spazzola è inclinabile a destra o sinistra per formare le andane. Il manubrio va ruotato di 180° portandolo dalla parte del motore; per far questo seguire le istruzioni date per il montaggio della barra falciante. Per mettere in rotazione la spazzolatrice bisognerà disattivare il dispositivo di sicurezza che impedisce l'innesto contemporaneo della retromarcia e della presa di forza (necessario invece per l'uso della fresa).

Per fare ciò basterà togliere la vite che fa da contrasto contro la leva della presa di forza impedendo il doppio innesto (Fig. 2). Importante: se viene rimontata la fresa è obbligatorio rimettere nelle condizioni iniziali il dispositivo di sicurezza. Non si assumono responsabilità per la mancata osservanza di questa norma (fig. 2 e fig. 2/A).

AVVERTENZE PER IL TRASPORTO

Il motocoltivatore non può circolare su strada pubblica. Se la macchina viene trasportata a bordo di un camion o di un rimorchio, abbassare il manubrio, inserire la marcia 1°, assicurare adeguatamente la macchina al mezzo di trasporto mediante funi e/o cinghie. Se si utilizza un sollevatore per caricare la macchina verificare che la portata sia adeguata al peso del motocoltivatore.

MOTOCULTEUR G85-G107D

Cher Client,

Nous vous remercions de la confiance et de la préférence que vous avez bien voulu accorder à notre motoculteur et nous sommes certains que son usage répondra entièrement à vos exigences. Pour une utilisation optimale et un entretien à long terme, nous vous demandons de lire attentivement et de suivre scrupuleusement les indications contenues dans cette brochure. Cela vous permettra d'obtenir d'excellents résultats et de sauvegarder votre investissement. Nous vous demandons de conserver ce manuel qui devra toujours accompagner la machine.

DESCRIPTION GENERALE ET USAGE PREVU

Le motoculteur est une machine automotrice à essieu unique, équipée avec une fraise pour travailler le terrain. Ces machines sont généralement utilisées pour la préparation du sol (élimination des mauvaises herbes ou fraisage superficiel) et pour le travail dans de petites surfaces et la finition, dans les ouillères et dans l'horticulture. La machine est composée par un châssis porteur où le moteur est installé. Celui-ci actionne les roues et la prise de force où la fraise est généralement attachée. La prise de force peut entraîner aussi d'autres outils comme les turbines à neige, les barres de coupe, les broyeurs d'herbe, les brosses orientables, les pompes pulvérisateurs et être utilisée comme support d'attelage pour les lames orientables et les charrues. Il s'agit d'une machine à conducteur marchand où l'utilisateur la conduit grâce à un guidon où les commandes sont placés.



ATTENTION! Lire attentivement les instructions avant de mettre le moteur en marche. Les précautions suivantes sont importantes pour votre sécurité!

MISES EN GARDE

La prudence est la meilleure arme pour la prévention des accidents!

Nous vous demandons de lire attentivement les normes suivantes avant même de commencer le travail. L'utilisation inadéquate du motoculteur et de son équipement peut être dangereuse. Pour réduire ces éventualités de danger, veuillez respecter les précautions nécessaires décrites ci-après:

- 1) Lire entièrement ce manuel avant d'allumer et de mettre en mouvement la machine. Se familiariser avec les commandes et l'utilisation correcte de la machine.
- 2) Suivre avec une attention particulière les mises en garde et les étiquettes de sécurité placées autour de la machine.
- 3) La rotation de la fraise est extrêmement dangereuse, **ne jamais mettre les mains ou les pieds sous la fraise.**
- 4) Avant de confier votre motoculteur à d'autres personnes, il faut leur illustrer aussi bien les normes de sécurité que le mode d'emploi.
- 5) Tenir toute autre personne éloignée (15 mètres min) de la zone de travail. N'utiliser ou démarrer en aucun cas le motoculteur lorsque des animaux ou des personnes se tiennent dans la zone de danger.
- 6) Ne pas utiliser le motoculteur en cas de fatigue. Il est interdit d'utiliser l'appareil après avoir absorbé des drogues, alcool, médicaments etc., risquant de diminuer les capacités physiques et cognitives de l'opérateur.
- 7) Contrôler le terrain avant d'effectuer le fraisage, vérifier qu'il n'y a pas de pierres, de bâtons ou de corps étrangers qui pourraient endommager les couteaux (p.e. une pierre) ou être lancés au loin et donc être très dangereux.
- 8) **Lors de l'utilisation de l'appareil, porter des vêtements fonctionnels et ajustés. Porter des chaussures solides, lunettes ou visière de protection, casque ou protections auditives, gants robustes et pantalons longs. Ne pas porter des vêtements amples (par exemple d'écharpes) qui peuvent être pris dans les pièces en rotation.**

9) Toujours traiter les pentes dans le sens transversal, jamais dans le sens de la longueur. Faire particulière attention en cas de changement de direction et éviter d'utiliser l'appareil sur des pentes très raides.

10) Ne jamais laisser des jeunes de moins de 16 ans utiliser l'appareil.

11) Faire attention quand on enclenche la marche arrière. Le terrain derrière l'appareil doit être libre. En cas de danger relâcher le guidon. L'appareil va s'arrêter immédiatement.

12) Il est dangereux d'actionner brusquement les leviers, avec le moteur à plein régime.

13) Pour éviter le danger d'exhalaisons toxiques, ne pas faire tourner le moteur dans un local fermé.

14) **ATTENTION ! L'essence est une substance très inflammable.** Ne conserver l'essence que dans des réservoirs prévus à cet effet. Ne faire le plein de l'appareil qu'à l'air libre et à l'abri d'étincelles, de flammes, de sources de chaleur et autres sources d'étincelles. Ne pas fumer au cours de cette opération. Faire le plein d'essence avant de démarrer le moteur. Ne pas ouvrir le bouchon du réservoir ou ne pas faire le plein d'essence lorsque le moteur tourne ou qu'il est encore chaud. Si le réservoir a débordé, ne démarrer le moteur qu'après avoir nettoyé soigneusement les zones souillées d'essence et éviter de démarrer le motoculteur tant que les vapeurs d'essence ne se sont pas dissipées.

15) Éviter les fuites de combustible; après avoir rempli le réservoir, nettoyer soigneusement les fuites avant d'activer le moteur.

16) Stocker le carburant dans des contenants spécifiquement prévus à cet effet.

17) Utiliser le motoculteur uniquement en plein jour ou avec un bon éclairage artificiel.

USAGES IMPROPRES A EVITER

18) L'appareil ne doit en aucun cas servir à briser ou écraser de matériaux de construction, plastiques, métalliques ou des racines, des troncs ou tout type de déchet en général.

19) Ne pas utiliser la machine pour transporter personnes ou animaux.

PRECAUTIONS DE SECURITES SUPPLEMENTAIRES

20) **Ne pas altérer ou désactiver les dispositifs de sécurité.**

21) **N'effectuer aucun réglage ou nettoyage avec le moteur en marche.**

22) **Ne pas faire contrôler la machine lorsque le conducteur est au guidon avec le moteur en marche.**

23) L'utilisateur est toujours responsable des dommages occasionnés aux tiers et des accidents ou des dangers qui peuvent se produire.

24) Les couteaux déformés ou endommagés doivent être remplacés, jamais réparés.

25) Utiliser toujours des pièces détachées Grillo d'origine.

26) Avant de commencer tout travail avec la machine, vérifier que tous les systèmes contre les accidents dont la machine est équipée fonctionnent parfaitement. Il est formellement interdit de les exclure ou de les modifier.

27) Avant de commencer le travail, contrôler que les vis et écrous de blocage de la fraise et des couteaux sont bien serrés.

28) Les équipements de protection (capots, garde-boue, etc) doivent être maintenus durant le travail.

29) Ne pas nettoyer la fraise lorsque le moteur est allumé.

30) Ne pas utiliser la machine nu-pieds.

31) Ne pas modifier les réglages du moteur, en particulier le nombre de tours maximal.

32) Laisser refroidir le moteur avant de garer la machine dans des locaux fermés.

33) **ATTENTION :** pour réduire tout danger d'incendie, éliminer les herbes, les feuilles et la poussière qui pourraient obstruer le moteur, le pot et les collecteurs d'échappement.

34) Effectuer l'éventuelle vidange du réservoir du carburant en plein air.

35) Marcher, ne jamais courir pendant l'utilisation.

36) Veiller à ne pas mettre les pieds trop près de la fraise.

37) Ne pas soulever ou transporter la machine avec le moteur en marche.

38) **Ne jamais ranger la machine avec du combustible dans le réservoir dans un bâtiment fermé. Les vapeurs du combustible pourraient entrer en contact avec des flammes ou des étincelles.**

39) Ne jamais utiliser la machine pour pousser ou tracter.

40) Les motoculteurs Grillo ont été conçus uniquement pour être utilisés avec des accessoires originaux Grillo ou avec des accessoires de constructeurs agréés Grillo. Ne jamais brancher des outils qui ne sont pas d'origine Grillo, qui ne sont pas produits par de constructeurs agréés Grillo ou qui ont été modifiés sans autorisation Grillo. En cas de doute, veuillez vous adresser au concessionnaire agréé Grillo le plus proche ou bien directement au Service Assistance Grillo.

Tout usage impropre du motoculteur ne sera pas couvert par la garantie. Le fabricant décline toute responsabilité en cas de mauvaise utilisation.

ATTENTION!

Lors d'une utilisation prolongée de la machine, il est recommandé l'emploi de systèmes de protection auditive. Veuillez utiliser bouchons d'oreilles ou casques conformes aux normes en vigueur (fig. A).



Fig. A

IDENTIFICATION ET ASSISTANCE



IDENTIFICATION

Le numéro de matricule de la machine se trouve sur une étiquette collée sur le châssis. Le numéro de série doit être cité dans toute demande d'intervention technique et pour commander des pièces détachées.

SERVICE ASSISTANCE

Cette notice d'emploi fournit les indications pour l'usage du motoculteur et pour un entretien correct de base, réalisable par l'utilisateur. Pour les opérations non décrites ici, contacter le Revendeur de Zone.

PIECES DETACHEES

Nous recommandons d'utiliser exclusivement des pièces détachées d'origine, les seules qui offrent des caractéristiques de sécurité et d'interchangeabilité. Toutes les demandes doivent indiquer le numéro de matricule. Pour les pièces de rechange relatives au moteur, respecter les indications contenues dans la brochure spécifique.

GARANTIE

La garantie est assurée selon les modes et les limites indiquées par la loi en vigueur. Le revendeur devra remettre au client final une copie de la carte de garantie de la machine, qui devra être téléchargée du site Grillo après avoir enregistré la machine même. En ce qui concerne le moteur, seulement les conditions prévues par le Fabricant concerné sont valables.

COMMENT COMMANDER LES PIECES DETACHEES

Indiquer toujours le numéro de série de la machine et la référence de la pièce à remplacer. S'adresser à nos Concessionnaires qui se trouvent dans chaque département.

Voici notre adresse:

GRILLO S.p.A.
Via Cervese 1701 - 47521 CESENA (FC) - ITALIE
Tél. 0039 / 0547 / 633111 - Fax 0039 / 0547 / 632011
www.grillofrance.fr - E-mail: grillo@grillospa.it

CARACTERISTIQUES TECHNIQUES G85 - G85D

TYPES MOTEUR:

- **EX27** OHC, 265cc, 8,3 HP (à 3600 tours/min), mono-cylindre, 4 temps, à essence.
- **GR300**, 302cc, 9,3 HP (à 3600 tours/min), mono-cylindre, 4 temps, à essence.
- **HONDA GX270**, 270cc, 8,4 HP (à 3600 tours/min), mono-cylindre, 4 temps, à essence.
- **KD15 350**, 349cc, 7,5 HP (à 3600 tours/min), mono-cylindre, 4 temps, à diesel.

Versions avec démarrage électrique disponibles.

MACHINE

Embrayage : conique et actif.

Boîte de vitesses : engrenages à 4 vitesses dont 2 avant plus 2 arrière dans la version motoculteur et dans la version faucheuse (en tournant les mancherons).

Les vitesses d'avancement en km/h avec un moteur à 3600 tours/min. sont les suivantes :

VITESSES	VITESSE AVEC ROUES 4.00-8
Ière	1,1
IIème	2,6
Ière ARRIERE	1,1
IIème ARRIERE	2,6

Prise de force : à 965 tours indépendants de la boîte de vitesses avec un moteur à 3600 tours/min.

Roues : pneumatiques (4.00-8 ; 4.00-10 ; 5.00 - 10).

Fraise : standard 58 cm, réglable en 37-47-68 cm.

Mancheron : réglable en hauteur et en déport en plusieurs positions - réversible.

Voie : mesures à l'extérieur des roues: avec roues pneumatiques 4.00-8 cm 42 ; avec roues métalliques 36-44 cm.

Outils et accessoires:

fraise, bifraise, barre de coupe, turbine à neige, charrue, buttoir, broyeur d'herbe, broyeur à fléaux, pompe d'irrigation, pompe de pulvérisation, remorque, roue de déplacement pour fraise, crochet d'attelage pour remorque, masses, roues métalliques, sarcler, chariot de déplacement, andaineuse, lame orientable, broyeur à végétaux, brosse orientable et inclinable.

CARACTERISTIQUES TECHNIQUES G107D

TYPES MOTEUR:

- **EX27** OHC, 265cc, 8,3 HP (à 3600 tours/min), mono-cylindre, 4 temps, à essence.
- **GR300**, 302cc, 9,3 HP (à 3600 tours/min), mono-cylindre, 4 temps, à essence.
- **HONDA GX270**, 270cc, 8,4 HP (à 3600 tours/min), mono-cylindre, 4 temps, à essence.
- **KD15 440**, 441cc, 11 HP (à 3600 tours/min), mono-cylindre, 4 temps, à diesel.

Versions avec démarrage électrique disponibles.

MACHINE :

Embrayage : conique et actif.

Boîte de vitesses : engrenages à 6 vitesses dont 3 avant plus 3 arrière dans la version motoculteur et dans la version faucheuse (en tournant les mancherons).

Les vitesses d'avancement en km/h avec un moteur à 3600 tours/min. sont les suivantes:

VITESSES	VITESSE ROUES 4.00-8
Ière	1,1
IIème	2,2
IIIème	3,3
Ière ARRIERE	1,2
IIème ARRIERE	2,2
IIIème ARRIERE	3,3

Prise de force: à 965 tours indépendants de la boîte de vitesses avec un moteur à 3600 tours/min.

Roues: 4.00-8 ; 4.00-10 ; 5.00-10.

Fraise: standard 58 cm, réglable à 37-47-68 cm.

Mancheron: réglable en hauteur et en déport en plusieurs positions - réversible.

Voie: mesures à l'extérieur des roues: avec roues pneumatiques 4.00-8 cm 42 ; avec roues métalliques 36-44 cm.

Outils et accessoires: fraise, bifraise, barre de coupe, turbine à neige, charrue, buttoir, broyeur d'herbe, broyeur à fléaux, pompe d'irrigation, pompe de pulvérisation, remorque, roue de déplacement pour fraise, crochet d'attelage pour remorque, tonneaux sous le mancheron, masses, roues métalliques, sarcler, chariot de déplacement, andaineuse, lame orientable, broyeur à végétaux, brosse orientable et inclinable.

MISE EN SERVICE DE LA MACHINE

- 1) Contrôler que la machine soit intacte et qu'elle n'ait pas été endommagée durant le transport.
- 2) Enlever le motoculteur de l'emballage en faisant attention à ne pas endommager câbles et leviers. Utiliser une machine élévateur (capacité min. 200 kg). Avant de mettre la machine sur le terrain monter les roues et serrer bien les écrous de fixation (fig. 3, n. 8).
- 3) Le motoculteur est livré avec le guidon en version « faucheuse » (guidon placé sur le moteur). Pour positionner le guidon en version « motoculteur » pousser le levier (fig. 3, n. 12) et tourner le guidon de 180° dans le sens inverse des aiguilles d'un montre. Le tourner lentement en faisant attention à ne pas endommager les câbles. Après insérer les tiges de commande marche avant et marche arrière dans les œillets (fig. 3 pour G85 – G85d ; fig. 4A pour G107d).
- 4) Remplir l'attache PTO de la machine avec de la graisse avant de monter l'accessoire. Monter l'accessoire (par ex. fraise, charrue etc..) et serrer bien à fond les écrous de fixation (fig. xx, n.20).
- 5) Introduire l'huile moteur (voir manuel du moteur).
- 6) Contrôler l'huile de la boîte de vitesses – fig.6 (huile MP 80W 90, correspondance internationale API GL5 huile, US MIL-L-2105D, à raison de 2,2 litres pour le G85 et 1,9 litres pour le G85D et le G107D).
- 7) Introduire l'huile dans le filtre à air à bain d'huile (pour les versions équipées de ce type de filtre), utilisant le même type d'huile que pour le moteur (fig. 7A).
- 8) Vérifier la pression des pneus (voir le tableau) :

PRESSION DES PNEUS		
4.00-8	2 PLY RATING	1,1 BAR
4.00-10	2 “ “	1,1 “
5.00-10	2 “ “	1,5 “

9) Pour les versions à démarrage électrique, contrôler le voltage de la batterie, celui-ci ne devant pas être inférieur à 12V ; si nécessaire, effectuer la recharge de la batterie à 12,5V sur charge lente pendant 2 heures.

IMPORTANT! Éviter d'inverser les polarités de la batterie durant le montage.

10) Remplir le réservoir de carburant au moyen d'un entonnoir muni d'un filtre très fin.

11) Effectuer les contrôles des niveaux, la machine étant placée en position parfaitement horizontale.

MODE D'EMPLOI

Avant de mettre en marche le moteur, effectuer toujours les vérifications suivantes:

- contrôler les niveaux de l'huile dans le moteur (fig. 5, réf. A) et dans la boîte de vitesses ; le bouchon du niveau est placé sur le couvercle supérieur (fig. 6) ; le niveau de l'huile doit se situer entre les deux lignes.
- contrôler que toutes les vis et tous les écrous sont bien serrés, en particulier les éléments de fixation des mancherons et des outils au motoculteur.
- contrôler que tous les leviers sont au point mort.
- vérifier que le filtre à air est propre (version à sec) (fig. 7). Attention! Ne pas souffler le filtre avec de l'air comprimé ; s'il est bouché, le remplacer.
- vérifier que le filtre à air (version à bain d'huile) est propre et vérifier le niveau de l'huile (fig. 7A).
- contrôler le niveau de l'huile du carter fraise (figure 4D, n° 3).
- remplir le réservoir de carburant à l'aide d'un entonnoir muni d'un filtre très fin.

MISE EN MARCHÉ DU MOTEUR A ESSENCE

Ouvrir le robinet du carburant (fig. 4B, n.21), pousser jusqu'à mi-course le levier de commande gaz (fig. 3, n.14) et, si le moteur est froid, actionner le starter (fig. 4B, n.18).

- Pour mettre en route le moteur avec démarrage par lanceur : tirer énergiquement sur la manette du lanceur (fig. 3, n.6)
- .- Pour mettre en route le moteur avec démarrage électrique : tourner la clé de démarrage placée sur le moteur.

MISE EN MARCHÉ DU MOTEUR DIESEL

Pousser jusqu'à mi-course le levier de commande gaz (fig. 3, n.14). S'assurer que la commande d'arrêt moteur (fig. 3, n.25) est tournée vers le haut.

- Pour mettre en route le moteur avec démarrage par lanceur: tirer énergiquement sur la manette du lanceur (fig. 4B, n.6).
- Pour mettre en route le moteur avec démarrage électrique: tourner la clé de démarrage placée sur le guidon dans le sens d'une aiguille d'une montre (fig. 4C, n. 26).

MISE EN MARCHÉ DE LA MACHINE

Pour les modèles G85 – G85d, s'assurer que le levier de la marche arrière (fig. 3A, n.2) est positionné en marche avant.

- Placer le levier de la boîte vitesses dans la position souhaitée (fig. 3A, n.15). Dans le cas où la vitesse ne s'enclencherait pas immédiatement, donner de petits coups d'embrayage et accompagner le levier jusqu'au complet enclenchement.

- La machine se met en marche en appuyant sur le bouton de sécurité gris (fig. 3A, n.27) et en appuyant sur le levier rouge de l'embrayage (fig. 3A n.1).

En relâchant le levier rouge, la machine s'arrête (fig. 3A n.1) mais le moteur reste en marche. Le levier rouge de l'embrayage revient à la position verticale.

DEBUT DU TRAVAIL (machine en version « motoculteur »)

Pour activer la rotation de la fraise, tirer vers soi le levier de la prise de force (fig. 3A, n.13) jusqu'à ce qu'un déclic confirme son accouplement. Dans le cas où la vitesse ne s'enclencherait pas immédiatement, donner de petits coups d'embrayage et accompagner le levier jusqu'au complet enclenchement.

ATTENTION: pendant l'utilisation de la fraise, ne jamais mettre mains et pieds sous le capot et ne jamais ouvrir la porte de la fraise. Cette porte doit rester bien adhérent au terrain pour garantir une utilisation en toute sécurité du motoculteur.

IMPORTANT: pour éviter problèmes à l'embrayage pendant l'utilisation, le levier rouge doit être toujours bien pressé. **Attention:** ne jamais travailler avec le levier rouge partiellement pressé.

Pour déclencher la fraise pousser le levier de la prise de force (fig. 3A, n.13).

MARCHE ARRIERE POUR MODELES G85 ET G85D (machine en version « motoculteur »)

Pour enclencher la marche arrière sur les motoculteurs G85 et G85d pousser le levier (fig. 3A, n. 2). Si la marche arrière ne s'enclenche pas immédiatement, ne pas forcer le levier, mais donner des petits coups avec l'embrayage et presser le levier doucement jusqu'à l'enclenchement.

ATTENTION: Avant de baisser le levier rouge de l'embrayage pour mettre en marche la machine, vérifier toujours quelle marche est insérée, si marche avant ou marche arrière (voir autocollant - fig. 1).

MARCHE ARRIERE POUR MODELE G107D

Pour insérer la marche arrière avec le G107D pousser le levier (fig. 3B, n. 2). **ATTENTION:** pour éviter d'endommager les engrenages de la boîte à vitesses, presser tout d'abord le levier de la marche arrière et puis le levier rouge de l'embrayage.

ATTENTION: pour raisons de sécurité dans tous les motoculteurs Grillo il est impossible d'actionner la fraise avec la marche arrière enclenchée. Avant d'enclencher la marche arrière il faut toujours désactiver la prise de force.

LORS DE L'UTILISATION DE LA MACHINE EN VERSION MOTOCULTEUR, S'ASSURER QUE LA VIS DE SECURITE SOIT POSITIONNEE COMME INDIQUEE SUR LA PHOTO 2A. EN CAS DE DANGER RELACHER IMMEDIATEMENT LE LEVIER ROUGE DE L'EMBRAYAGE (fig. 3A - 3B, n.1). LA FRAISE ET LA MACHINE S'ARRETERONT IMMEDIATEMENT.

REGLAGE DU GUIDON

Pour régler la hauteur du guidon débloquer le levier (fig. 3A, n. 10), soulever ou baisser le guidon et en suite relâcher le levier pour positionner le guidon dans la position souhaitée. Pour tourner le guidon utiliser le levier (fig. 3A, n. 12), tourner le guidon à droite ou à gauche et ensuite relâcher le levier pour positionner le guidon dans la position souhaitée.

BLOCAGE ET DEBLOCAGE DU DIFFERENTIEL

L'essieu des roues du modèle G85 est fixe et donc sans différentiel. Les modèles G85d et G107d sont équipés de différentiel sur l'essieu des roues. À droite, sur le guidon, un levier en forme de T (fig. 3A - 3B, n.22) permet à l'opérateur de bloquer (levier vers l'arrière) ou débloquer (levier vers l'avant) le différentiel.

Dans des conditions standard, nous ne conseillons pas l'utilisation du blocage différentiel justement pour avoir une meilleure facilité dans les manœuvres (levier fig. 3A, n. 22 vers l'avant). Par contre, en présence d'un terrain à faible portance, l'enclenchement du blocage différentiel permet d'avoir une traction optimale (levier fig. 3A, n. 22 vers l'arrière).

ETEINDRE LE MOTEUR A ESSENCE

Positionner le levier accélérateur dans la position « 0 »(fig. 3A, n. 24).

ATTENTION: pour machines avec démarrage électrique, une fois avoir étendu le moteur, tourner la clé de démarrage en position OFF (fig. 4C, n. 26). Si la clé reste en position de démarrage, la batterie se décharge complètement même si le moteur est éteint.

ETEINDRE LE MOTEUR A DIESEL

Pousser complètement le levier placé sur le coté gauche du guidon (fig. 3A - 3B. n. 25).

ATTENTION: pour machines avec démarrage électrique, une fois avoir étendu le moteur, tourner la clé de démarrage dans le sens contraire aux aiguilles d'un montre pour déconnecter la batterie (fig. 4C, n. 26). Si la clé reste en position de démarrage, la batterie se décharge complètement même si le moteur est éteint.

FIN DU TRAVAIL

Une fois le travail terminé, pour arrêter le moteur, retirer la clé de démarrage (pour modèles avec démarrage électrique), mettre les vitesses au point mort et déclencher la PDF. Avec la boîte à vitesses au point mort (indiqué par la lettre F) il est possible de déplacer la machine à la main.

ATTENTION: ne jamais laisser la machine en pente avec la boîte à vitesses au point mort. S'il est nécessaire de laisser la machine en pente enclencher toujours la marche avant.

ATTENTION: Ne pas laisser la machine non gardée, surtout dans des lieux où personnes inexpertes et enfants peuvent avoir accès à la machine sans avoir lu le manuel ni avoir reçu d'instructions pour l'usage en toute sécurité du motoculteur.

INCONVENIENTS POSSIBLES ET REMEDES

La liste suivante énumère les petits inconvénients qui peuvent survenir lors de l'utilisation de l'appareil du motoculteur et que le client peut résoudre lui-même:

1) Le moteur ne démarre pas (**moteur à essence**). Vérifier dans l'ordre:

- que le réservoir d'essence est au moins à moitié plein;
- que le robinet d'essence est ouvert;
- que le starter est actionné (si le moteur est froid);
- que l'essence arrive au carburateur;
- que l'ouverture de l'évent sur le bouchon du réservoir n'est pas bouchée;
- que le filtre à filet à l'entrée du carburateur est propre;
- que les gicleurs du carburateur sont propres. Pour contrôler les gicleurs, les dévisser et, s'ils sont sales, les nettoyer au moyen d'un jet d'air.
- que la bougie jette l'étincelle. Pour effectuer ce contrôle, démonter la bougie, la raccorder au câble qui apporte le courant, appuyer la partie métallique à la masse et faire tourner la poulie du moteur comme pour le faire démarrer. Si aucune étincelle ne jaillit entre les deux électrodes, contrôler les connexions du câble de la bougie et si le courant n'arrive toujours pas, remplacer la bougie. En cas de nouvel échec, rechercher la panne dans l'installation électrique, dans le condensateur, dans la bobine ou dans quelque autre organe. Il convient alors de s'adresser au service après-vente le plus proche ou à un atelier spécialisé.

2) Le moteur ne démarre pas (**moteur diesel**). Vérifier dans l'ordre :

- que l'ouverture de l'évent du bouchon du réservoir n'est pas bouchée ;
- que le réservoir du **diesel** est au moins à moitié plein.

3) Si le moteur est en marche mais le motoculteur n'avance pas :

- vérifier que la marche soit enclenchée ;
- vérifier que le levier rouge de l'embrayage soit complètement pressé et que le ressort de l'embrayage (fig. 8) soit comprimé. Si nécessaire le régler en utilisant l'écrou de réglage du câble de l'embrayage (fig. 3A, n. 17).

4) Si le moteur (**essence**) ne s'éteint pas :

- vérifier que le levier du gaz (fig.3, n.14) se trouve dans la position 0 (complètement fermé) ;
- vérifier que le câble électrique d'arrêt moteur est correctement branché au levier du gaz et au connecteur sur le moteur.

5) Si le moteur (**diesel**) ne s'éteint pas :

- vérifier que le levier d'arrêt moteur diesel sur le coté gauche du guidon (fig. 3A, n. 25) est complètement poussé vers le bas.
- vérifier que le câble d'arrêt moteur est correctement branché au moteur.

PERIODES DE LONGUE INACTIVITE

Si la machine reste inutilisée pendant une longue période, il est opportun d'adopter les précautions suivantes:

- déverser le carburant ;
- laver soigneusement le moteur et la machine. Huiler le mécanisme d'inversion dans le support guidon.

ENTRETIEN ET LUBRICATION

ATTENTION!

- **Débrancher la bougie d'allumage avant de procéder à toute opération de nettoyage, d'entretien ou de réparation. Porter des vêtements appropriés et des gants de travail.**
- **Quand on relève la machine ou une partie de la machine, utiliser toujours des instruments appropriés comme des supports de sécurité.**
- **Ne pas laisser la machine relevée et sans supports de sécurité non gardée, surtout dans des lieux où personnes inexpertes et enfants peuvent avoir accès à la machine.**
- **Ne jamais jeter dans la nature les huiles usées, l'essence, le diesel et tout autre produit polluant!**
- **Un entretien efficace et une lubrification correcte contribuent à maintenir la machine en parfait état de marche.**

RODAGE

Après les 20 premières heures de travail, remplacer l'huile moteur.

MOTEUR

Pour les intervalles de lubrification, suivre les normes contenues dans la notice du moteur. En principe, il est opportun de contrôler le niveau de l'huile toutes les 8 heures de travail et de changer l'huile toutes les 100 heures. Utiliser toujours l'huile **15W40**. Pour le filtre à air, contrôler le niveau de l'huile toutes les 8 heures et même plus fréquemment si l'environnement est très poussiéreux. Pour rétablir le niveau, utiliser la même huile que pour le moteur (voir manuel moteur) pour les versions avec filtre à sec, changer le filtre s'il est bouché (ne pas utiliser des jets d'air pour le nettoyer).

BOITE DE VITESSES

Vérifier le niveau de l'huile toutes les 50 heures de travail : retirer le bouchon et contrôler, en maintenant la machine dans la position horizontale, que le niveau de l'huile se situe entre les deux bords. Si nécessaire, ajouter de l'huile **MP 80 W/90** (API GL5 US MIL-L-2105D). Changer l'huile une fois par an.

FRAISE

Contrôler le niveau de l'huile toutes les 100 heures, en dévissant le bouchon ; l'huile doit presque remplir la boîte fraise. Si nécessaire, ajouter la même huile que celle qui est utilisée dans la boîte de vitesses (fig. 4D, n. 3).

REGLES UTILES POUR UN BON USAGE:

1. Déclencher toujours le levier rouge de l'embrayage (fig. 3A, n.1) lorsque l'on passe des marches avant aux marches arrière et vice-versa.
2. Déclencher toujours le levier rouge de l'embrayage (fig. 3A, n.1) avant d'activer la PDF.
3. Ne jamais laisser la machine exposée aux intempéries (pluie, neige etc.).
4. Câbles et leviers doivent être toujours bien propres.
5. Ne jamais forcer le levier de la marche arrière. Si elle ne s'enclenche pas, veiller à ce que le levier de la prise de force (fig. 3A, n.13) ne soit pas embrayé.
6. Ne jamais forcer le moteur. Si du fume sort de l'échappement il faut ralentir.
7. Ce motoculteur peut être utilisé dans des terrains difficiles aussi après un bon rodage et avec moteur chaud.
8. Contrôler fréquemment la pression des pneus.
9. Quand on monte les outils (par ex. fraise) faire attention à ne pas endommager l'attache outil dans le carter de la boîte à vitesses du motoculteur (fig. 4F).

ENTRETIEN DE FIN DE SAISON

Laver soigneusement la machine; changer l'huile du moteur, du carter boîte de vitesses et fraise ; nettoyer le filtre à air. Repasser et enduire de graisse les couteaux ; changer les couteaux usés.

ATTENTION: les couteaux sont en acier spécial traité thermiquement. Ne jamais souder les couteaux cassés ou usés, ils pourraient se briser et être projetés loin, en causant des dommages.

TABLEAU RECAPITULATIF DE MAINTENANCE

OPERATION		TOUTES LES 8 HEURES	APRES LES PREMIERES 20 HEURES	TOUTES LES 50 HEURES	TOUTES LES 100 HEURES	TOUTES LES 200 HEURES
Huile moteur	contrôler le niveau	•				
	remplacer		•		•	
Filtre à air	contrôler	•				
	remplacer				*	
Bougie d'allumage	contrôler/régler				•	
	remplacer					•
Huile boîte de vitesses	contrôler le niveau	•		•		
	remplacer					•
Contrôler que la grille d'aspiration du moteur soit propre		•				
Barre faucheuse	contrôler l'attache lame		•	•		
	graisser	•				
Contrôler fixation et affûtage des couteaux			•	•		
Lubrifier avec graisse		•				
Contrôler le jeu de l'embrayage			•	•		

- opération recommandée
- * à effectuer si nécessaire

OUTILS

FRAISE

La fraise sert à briser la croûte superficielle du terrain pour en augmenter la perméabilité et en même temps pour le débarrasser des mauvaises herbes. Le fraisage peut être effectué en première vitesse si le terrain est dur et tenace, ou en deuxième vitesse si le terrain est moelleux ou sablonneux. Il est possible de régler la profondeur de fraisage en levant ou en abaissant la lame centrale située sous le corps de la fraise. Pour augmenter la profondeur, il est nécessaire de déplacer la lame vers le haut. Il est de règle de commencer le travail avec la lame abaissée au maximum, et de la tirer vers le haut si l'on veut obtenir une profondeur plus importante (fig. 4E).

N.B. - Si, sur les terrains très durs, la machine tend à sauter en avant, il est nécessaire d'abaissier au maximum la lame en la fixant dans le troisième trou (fig. 4E). Contrôler que le montage des couteaux est correct.

ATTENTION: en version motoculteur, la marche arrière ne peut pas être enclenchée si la prise de force est active. Le système de sécurité doit être positionné comme indiqué sur la figure 2A. Ne manipuler en aucun cas le système de sécurité.

ATTENTION: ne pas mettre les mains ou les pieds au-dessous du capot de la fraise lorsque le moteur est en marche. La rotation des couteaux est extrêmement dangereuse. Avant d'effectuer toute opération sur la fraise (p.e. Remplacement des couteaux etc...) **ÉTEINDRE TOUJOURS LE MOTEUR.**

BUTTOIR REGLABLE

Le buttoir réglable est un outil spécialement étudié pour exécuter des sillons de semence ou d'irrigation. Il est placé, comme les charrues et la fraise, sur la bride d'attache outils située à l'arrière de la boîte de vitesses. La possibilité de varier la position des deux ailes permet le réglage de la largeur du sillon de 10 centimètres au minimum à 30 centimètres au maximum. La profondeur obtenue peut varier de 10 à 20 cm. Dans le cas où les terrains seraient particulièrement durs, il convient d'exécuter en premier lieu une opération de fraisage puis de continuer le travail avec le buttoir. Pour obtenir de meilleures prestations, installer les roues pneumatiques 5.00-12 et éventuellement les masses qui augmentent l'adhérence (fig. 10).

BARRE FAUCHEUSE

La barre faucheuse qui peut être fixée au motoculteur est à commande centrale. La construction robuste et le rendement élevé font de la barre faucheuse l'outil idéal pour faucher de petites pièces de terre lorsque l'achat d'une motofaucheuse n'est pas justifié ; la motofaucheuse resterait inutilisée pendant une grande partie de l'année alors que le motoculteur peut être utilisé avec d'autres outils. La barre doit être installée sur l'attache-outils du motoculteur, à l'endroit de la fraise, et fixée au moyen des mêmes écrous.

Tourner le guidon de 180° et le placer du côté du moteur. Avant de retourner le guidon, mettre la première vitesse et détacher les barres de commande. Une fois le guidon retourné, les barres doivent être replacées dans les supports supérieurs.

Après avoir retourné le guidon, grâce au mécanisme dans le support du guidon même, il sera possible d'utiliser toutes les vitesses comme dans la version motoculteur.

Pour insérer le mouvement à la barre faucheuse, il faudra désamorcer le dispositif de sécurité qui empêche l'embrayage simultané de la marche arrière et de la prise de force (nécessaire pour l'emploi de la fraise). Il suffira alors d'enlever la vis contrastant le levier de la boîte de vitesses, empêchant ainsi le double embrayage (Fig.2).

Important: lorsque l'on remonte la fraise, il est obligatoire de remettre le dispositif de sécurité dans les conditions initiales. Nous déclinons toute responsabilité pour la non-observation de cette règle (fig. 2 et 2A).

Entretien: graisser toutes les 8 heures de travail les pivots du croisillon avec le graisseur situé sur la manivelle oscillante. Graisser toutes les 50 heures de travail la boîte d'oscillation barre avec le graisseur situé sous la protection oscillante. Régler la lame et les serre-lames qui ne doivent pas être serrés au point de bloquer la lame ; veiller à ce qu'il n'y ait pas non plus un jeu excessif par rapport aux plaques des dents. Pour effectuer les réglages des serre-lames pour les deux types, il est nécessaire de desserrer les vis de blocage (fig. 12) et de régler la vis de pression. Lorsque les serre-lames sont usés, il faut procéder à leur substitution, même s'ils peuvent encore servir. Régler le jeu entre la lame et la bande d'usure, en desserrant les vis qui fixent les serre-bandes et en déplaçant vers l'avant la bande jusqu'à ce qu'elle touche la barre contenant les sections lame clouées. Bloquer de nouveau les serre-bandes. Pour démonter la lame, enlever l'attache-lame L en démontant les deux vis (fig. 13 n° 3) et désenfiler la lame. Après avoir réinstallé la lame, veiller à bien serrer les vis de fixation de l'attache. Utiliser toujours des lames bien aiguisées : la machine forcera moins et durera plus longtemps. A la fin de chaque journée de travail, laver la barre faucheuse en enlevant tout résidu d'herbe ou de terre ; contrôler de temps en temps que toutes les vis sont bien serrées.

TURBINE A NEIGE

Cet appareil (fig. 14) conçu spécialement pour ce motoculteur est très utile pour le déblaiement de la neige des aires de stationnement, des accès de garage, etc. Il est constitué d'une fraise turbine enfermée dans un carter spécial ouvert sur le devant, qui, en tournant à un régime de rotation

élevé, absorbe la neige et l'expulse à travers une cheminée à inclinaison variable. La neige peut être ainsi propulsée à une distance de 8-10 mètres dans la direction souhaitée (à droite ou à gauche ou en avant avec toutes les positions intermédiaires). La turbine à neige est montée sur la bride d'attache outils et fixée au moyen de deux écrous. Tourner le guidon de 180° en l'amenant sur le côté du moteur ; pour cela, suivre les instructions données pour le montage de la barre de coupe. Pour faire tourner la turbine à neige, il est nécessaire de désamorcer le dispositif de sécurité qui empêche l'embrayage simultané de la marche arrière et de la prise de force (nécessaire pour l'emploi de la fraise). Il suffira alors d'enlever la vis contrastant le levier de la boîte de vitesses, empêchant ainsi le double embrayage (fig. 2).

Important : si l'on souhaite remonter la fraise, il est obligatoire de remettre dans les conditions initiales le dispositif de sécurité. Nous déclinons toute responsabilité pour la non-observation de cette règle (fig. 2 - 2A).

La turbine à neige a une largeur de 70 cm et peut déblayer une hauteur de neige maximum de 40 cm. Pour des prestations optimales, il est recommandé de monter les masses ou les chaînes. Lorsque la neige est très mouillée, il est opportun de tenir l'ouverture de la cheminée dirigée en avant pour éviter l'engorgement au niveau de la sortie. Les deux petites glissières latérales devront être réglées de manière à effleurer le terrain, si ce dernier est bien plat (routes goudronnées), ou de manière à maintenir élevé la turbine à neige, si le terrain est accidenté.

Entretien : une fois le travail terminé, il est toujours bon d'enlever la neige restée bloquée dans la turbine pour éviter, qu'en gelant, elle bloque la roue de la turbine. **Ne pas nettoyer l'outil avec le moteur en marche. Attention, danger! Ne toucher jamais les parties en mouvement de la turbine à neige.**

ATTENTION :

En montant les divers outils sur la bride d'attache outils, il faut faire coïncider parfaitement le bridage de la machine avec le bridage de l'outil, de manière à maintenir un parfait centrage. Les écrous des deux prisonniers doivent être placés l'un à côté de l'autre à la main jusqu'en fin de course puis serrés à l'aide d'une clef de manière à ce qu'ils serrent en même temps sur le bridage (fig. 4F).

CHARRUES

Les charrues pour le motoculteur (fig. 15) ont été spécialement étudiées pour obtenir de bons labours sans fatiguer excessivement l'opérateur. Deux versions sont disponibles : la charrue simple et le brabant demi-tour à 180°. Ce dernier est particulièrement indiqué lorsque l'on doit travailler dans les deux sens, par exemple pour les buttages de rangées de vignes ou de fruitiers. La profondeur du sillon peut varier de 10 à 15 cm selon le terrain. Les utilisateurs peuvent obtenir des performances excellentes en montant les roues pneumatiques 5.00-12 et en ajoutant les masses pour roues, qui augmentent l'adhérence de la machine.

BROYEUR D'HERBE

Le broyeur d'herbe à lame pivotante 75 cm pour le motoculteur (fig. 16) a été conçu pour l'entretien des parcs ou jardins où l'emploi d'une tondeuse traditionnelle n'est pas pratique, en raison de la surface. En effet, la puissance élevée de la machine, les roues motrices, les vitesses de travail et le mécanisme d'inversion permettent de travailler dans les conditions les plus difficiles, sans fatiguer l'opérateur et avec un gain de temps considérable. Le broyeur d'herbe se monte sur l'attache outils du motoculteur et se fixe au moyen de deux écrous. Tourner le guidon de 180°, en l'amenant sur le côté du moteur ; pour cela, suivre les instructions données pour le montage de la barre faucheuse. Pour faire tourner la lame du broyeur, il est nécessaire de désamorcer le dispositif de sécurité qui empêche l'embrayage simultané de la marche arrière et de la prise de force (nécessaire pour l'emploi de la fraise). Il suffira alors d'enlever la vis contrastant le levier de la boîte de vitesses, empêchant ainsi le double embrayage (Fig.2).

Important : si l'on souhaite remonter la fraise, il est obligatoire de remettre dans les conditions initiales le dispositif de sécurité. Nous déclinons toute responsabilité pour la non-observation de cette règle (fig.2 et 2A).

Le mouvement à la lame est transmis par un couple d'engrenages coniques. La lame est dotée d'un mécanisme libre et d'un frein de lame de sorte que son inertie ne traîne pas la machine

lorsque l'embrayage est actionné. La hauteur de coupe peut être réglée en agissant sur la position de la roue frontale du broyeur ou des deux patins latéraux.

Attention! La rotation de la lame est très dangereuse. Ne jamais mettre mains ou pieds sous le broyeur d'herbe. Ne pas nettoyer l'outil avec le moteur en marche.

Entretien : veiller à ce que la lame du broyeur soit toujours bien aiguisée : la coupe sera meilleure et le moteur forcera moins. En démontant et remontant la lame, avoir toujours soin de serrer à fond les deux vis de fixation.

Vérifier par ailleurs fréquemment le serrage des deux écrous qui fixent le broyeur à la machine.

Contrôler toutes les 50 heures de travail le niveau de l'huile dans la boîte des engrenages en retirant le bouchon placé sur la partie supérieure ; si le niveau est plus bas, ajouter de l'huile pour boîtes de vitesses **MP 80W/90 (API GL5 US MIL-L-2105D)**. Changer l'huile une fois par an.

ATTENTION: les lames sont en acier spécial traité thermiquement. Ne jamais souder les lames cassées ou usées, elles pourraient se briser et être projetées loin, en causant des dommages.

REMORQUE TRAINÉE

La remorque construite pour le motoculteur est un accessoire très utile pour effectuer de petits transports. La maniabilité, le faible encombrement et la rapide application au motoculteur constituent les caractéristiques les plus importantes de cet accessoire. Il est possible d'ajuster la remorque directement au motoculteur, en laissant la fraise et en reliant la remorque à l'attache spéciale de remorquage (fig. 17). Capacité de charge : maximum 300kg sur terrain plat. **Ne pas utiliser la remorque dans des pentes supérieures à 5%. Il est interdit de transporter des passagers. Il est interdit d'utiliser la remorque dans roues publiques.**

MASSES POUR ROUES

Les masses doivent être installées dans les jantes des roues et fixées au moyen de deux des quatre écrous qui fixent les roues. Elles servent à augmenter le poids de la machine et par conséquent, son adhérence ; elles sont recommandées dans les travaux avec la charrue, le buttoir réglable et éventuellement avec la fraise ou la remorque pour obtenir des performances limite (fig.18).

ATTACHE RAPIDE

L'attache rapide a été spécialement étudiée pour permettre une application aisée des différents accessoires sur la machine ; en effet, l'attache se désenfile sans l'aide de clefs, en tirant un simple levier. Cet accessoire est composé de deux parties : l'une doit être fixée à la machine et l'autre à l'outil. Nous conseillons donc d'acheter une seule pièce pour la machine et une pièce pour chaque accessoire (fig. 19). Lubrifier avec du gras toutes les 50 heures. Il est disponible en deux versions: 50 mm et 60 mm.

Attention: ne jamais utiliser la fraise avec l'attache rapide : l'accessoire serait trop proche des pieds de l'opérateur.

CROCHET D'ATTELAGE POUR REMORQUE

Le crochet d'attelage pour remorque sert à attacher le chariot de déplacement ou la remorque au motoculteur sans démonter la fraise. Cette attache se fixe au crochet de remorquage du motoculteur (fig. 20).

ROUE DE DEPLACEMENT POUR FRAISE

Cet accessoire est très utile pour déplacer la machine car il maintient la fraise soulevée par rapport au terrain et facilite ainsi la translation (fig. 21).

ATTENTION: ne pas mettre les mains ou les pieds au-dessous du capot de la fraise lorsque le moteur est en marche. La rotation des couteaux est extrêmement dangereuse. Avant de monter ou démonter la roue de déplacement pour fraise ÉTEINDRE TOUJOURS LE MOTEUR.

BROYEUR A FLEAUX

Il a une largeur de 68 cm et fonctionne avec un rouleau à houes fourchues oscillantes. Il peut couper l'herbe haute, les petites cannes et de petits arbustes et le produit coupé est finement haché. Il peut également hacher des petites émondés. Utilisé avec les lames coupe-herbe au lieu des houes fourchues, il fait un excellent travail même sur la pelouse anglaise (fig.22). **Attention,**

danger! La rotation du rouleau du broyeur à fléaux est très dangereuse. Ne jamais mettre mains ou pieds sous le broyeur à fléaux. Ne pas nettoyer l'outil avec le moteur en marche.

Le broyeur à fléaux se monte sur l'attache outils du motoculteur à l'aide de l'attache rapide. Tourner le guidon de 180°, en l'amenant sur le côté du moteur ; pour cela, suivre les instructions données pour le montage de la barre faucheuse. Pour faire tourner le broyeur, il est nécessaire de désamorcer le dispositif de sécurité qui empêche l'embrayage simultané de la marche arrière et de la prise de force (nécessaire pour l'emploi de la fraise).

Il suffira alors d'enlever la vis contrastant le levier de la boîte de vitesses, empêchant ainsi le double embrayage (Fig.2).

Important: si l'on souhaite remonter la fraise, il est obligatoire de remettre dans les conditions initiales le dispositif de sécurité. Nous déclinons toute responsabilité pour la non-observation de cette règle (fig.2 et 2A).

ENTRETOISES POUR ROUES

Elles servent à élargir la voie et augmentent ainsi la stabilité de la machine sur les pentes transversales. Elles s'intercalent entre les roues et les moyeux porte-roues et élargissent la voie de 6 cm de chaque côté (fig. 23).

ROUES METALLIQUES A CAGE

Ces roues sont surtout utilisées lors de l'emploi du motoculteur avec fraise sur des terrains très durs. En effet, les petites barres placées sur la circonférence des roues pénètrent dans le terrain, en assurant ainsi un bon ancrage et en empêchant les roues de patiner (fig. 24). Les roues à cage sont aussi utilisées lorsque les autres roues caoutchoutées pourraient patiner ou s'enfoncer dans des terrains mous ou moelleux car à peine travaillés. L'utilisation des roues métalliques à cage est pratique uniquement dans ces cas-là. Dans les autres cas, il est en général recommandé d'utiliser des roues pneumatiques qui, lorsque des prestations d'adhérence limite ne sont pas requises, donnent à la machine une traction plus régulière et servent de coussin élastique entre la machine et le terrain. Sont également disponibles des anneaux jumeaux à monter sur les roues.

ELARGISSEURS REGLABLES POUR ROUES

Ces innovants élargisseurs à vis sont conseillés surtout pour le labour. Pour régler la chaussée, débloquer les deux clés fixées par des ressorts, mettre en fonction la machine, insérer la première vitesse, bloquer le différentiel, laisser l'embrayage avec le moteur à régime minimum. La chaussée se règle automatiquement. Faire attention à ne pas les dévisser complètement. Replacer les clés et les ressorts. La chaussée peut être modifiée aussi manuellement, soulevant la machine (fig. 25).

BUTTOIR DERRIERE LA FRAISE

Il est accroché derrière la fraise et travaille conjointement à elle ; il trace les sillons pour l'irrigation ou pour la semence (fig. 26). Pour l'accouplement monter la bague (fig. 9).

ATTENTION: ne pas mettre les mains ou les pieds au-dessous du capot de la fraise lorsque le moteur est en marche. La rotation des couteaux est extrêmement dangereuse. Avant de monter ou démonter la roue de déplacement pour fraise ÉTEINDRE TOUJOURS LE MOTEUR.

LAME FRONTALE ORIENTABLE cm 125

Il est, par sa robustesse, le moyen idéale pour déblayer la neige, pour niveler le gravier ou le terreau, il s'incline à droite et à gauche (fig. 27). La lame frontale se monte sur l'attache outils du motoculteur à l'aide de l'attache rapide. Tourner le guidon de 180°, en l'amenant sur le côté du moteur ; pour cela, suivre les instructions données pour le montage de la barre faucheuse.

BROSSE ORIENTABLE cm 100

La brosse (fig. 28) doit être attaché au porte-outils du motoculteur en suivant la même procédure de la barre faucheuse. Elle est très utile pour nettoyer rues et places et peut être utilisés pour déblayer la neige fraîche jusqu'à 10-12 cm. La brosse est orientable à gauche et à droite pour former des andains. Tourner le guidon de 180°, en l'amenant sur le côté du moteur ; pour cela, suivre les instructions données pour le montage de la barre faucheuse. Pour faire tourner la

brosse, il est nécessaire de désamorcer le dispositif de sécurité qui empêche l'embrayage simultané de la marche arrière et de la prise de force (nécessaire pour l'emploi de la fraise).

Il suffira alors d'enlever la vis contrastant le levier de la boîte de vitesses, empêchant ainsi le double embrayage (Fig.2).

Important : si l'on souhaite remonter la fraise, il est obligatoire de remettre dans les conditions initiales le dispositif de sécurité. Nous déclinons toute responsabilité pour la non-observation de cette règle (fig.2 et 2A).

TRANSPORT DU MOTOCULTEUR

Le motoculteur ne peut pas circuler sur la voie publique. Lorsque le motoculteur est transporté à bord d'un camion ou d'une remorque, baisser le guidon, engager la première vitesse et fixer le motoculteur à l'aide de cordes et/ou courroies. Si l'on utilise un élévateur, vérifier que la capacité de charge soit appropriée au poids du motoculteur.

EINACHSSCHLEPPER G85-G107D

Sehr geehrter Kunde,

Wir danken Ihnen für das uns entgegengebrachte Vertrauen, und sind zuversichtlich, dass Sie mit Ihrem neuen Einachsschlepper völlig zufrieden sein werden. In dieser Bedienungsanleitung finden Sie alles, was Sie für den Gebrauch und die Wartung Ihrer Maschine wissen müssen. Lesen Sie sie daher aufmerksam durch, und halten Sie sich genau an die Anleitungen, damit Sie auch wirklich immer optimale Resultate erzielen und lange Freunde an Ihrer Maschine haben werden. Bewahren Sie diese Bedienungsanleitung immer zusammen mit der Maschine auf.

ALLGEMEINE BESCHREIBUNG UND VORGESEHENER GEBRAUCH

Die Grillo-Maschine G85 ist ein selbstfahrender Einachsschlepper mit nur einer Achse, der mit einer Fräse zur Bearbeitung des Bodens ausgestattet ist. Diese Maschine wird benutzt, um den Boden vorzubereiten (Entfernen von Unkraut, oberflächliches Fräsen) und ist für den Einsatz für kleine Feldstücke, Gartenbau und Finisharbeiten im Garten sowie auch in Obstanlagen zwischen den Reihen geeignet. Die Maschine besteht aus einem Trägerrahmen, wo der Verbrennungsmotor aufgebaut ist. Der Motor setzt sowohl die Räder als auch eine Zapfwelle in Gang, und die Zapfwelle ist normalerweise mit einer Fräse verbunden. Man kann auch andere Werkzeuge mit der Zapfwelle verbinden, wie z. B. Schneefräse, Mähbalken, Wiesenmäher, schwenkbares Schneeschild, Pflüge, schwenkbare Kehrmaschine, Spritzpumpe etc... Es handelt sich um eine Maschine, die von dem Benutzer zu Fuß durch einem Lenkholm gesteuert wird, mit der Schaltung am Lenkholm.



ACHTUNG! Vor dem Anlassen des Motors die folgenden sicherheitstechnischen Hinweise zu Ihrer persönlichen Sicherheit aufmerksam durchlesen!

SICHERHEITSHINWEISE

Vorsicht ist immer die beste Maßnahme, um Unfälle zu vermeiden. Lesen Sie die folgenden Hinweise aufmerksam durch, bevor Sie mit der Arbeit beginnen. Ein unsachgemäßer Gebrauch der Maschine und ihrer Ausrüstung kann Personen- oder Sachschäden zur Folge haben. Um alle eventuellen Risiken auf ein Minimum zu reduzieren, sind die folgenden Hinweise genauestens zu beachten:

- 1) Lesen Sie die vorliegende Bedienungsanleitung vor der ersten Benutzung der Maschine aufmerksam und komplett durch.
- 2) Die auf der Maschine angebrachten Hinweise bzw. Plaketten beachten.
- 3) Hände und Füße von der rotierenden Fräse fernhalten - Verletzungsgefahr!**
- 4) Die Verwendung der Maschine darf nur den Personen gewährt werden, die vorher die vorliegende Anleitung gelesen haben oder vorher genau im sachgemäßen und sicheren Umgang mit der Maschine unterwiesen worden sind.
- 5) Vergewissern Sie sich vor dem Einschalten der Maschine, dass Kinder oder Tiere mindestens 15 Meter von der zu bearbeitenden Fläche entfernt sind. Auf keinen Fall darf das Annähern von dritten Personen oder Tieren beim Anlassen oder Gebrauch der Maschine erlaubt werden.
- 6) Das Gerät auf keinen Fall benutzen, wenn Sie unter Alkoholeinfluss, Drogeneinfluss oder Medikamenteneinfluss stehen und/oder müde sind.
- 7) Vor dem Fräsen die zu bearbeitende Fläche kontrollieren; Steine, Stöcke oder andere Gegenstände können von der Fräse weggeschleudert werden oder die Maschine beschädigen, und müssen daher entfernt werden.
- 8) **Beim Arbeiten immer geeignete Arbeitskleidung tragen. Es wird empfohlen, Arbeitsschuhe, Schutzbrillen, Gehörschutzstöpsel oder Kapselgehörschutz, Arbeitshandschuhe und lange Hosen zu tragen. Vermeiden Sie das Tragen von Kleidung oder Accessoires, die sich in den Steuervorrichtungen oder in der Fräse verfangen könnten (z.B. keine breiten Hosen, Schals etc. tragen).**

- 9) Bei Arbeiten an Hängen stets mit Vorsicht vorgehen, niemals bergauf oder bergab arbeiten, sondern senkrecht im Verhältnis zum Hang arbeiten. Besonders vorsichtig bei Richtungsänderungen sein. Die Maschine nicht auf allzu steilen Hängen einsetzen.
- 10) Das vorgeschriebene Mindestalter für die Benutzung der Maschine beträgt 16 (sechzehn) Jahre.
- 11) Im Rückwärtsgang nur langsam fahren. Stellen Sie sicher, dass der Boden hinter Ihnen frei von Hindernissen ist. Bei Gefahr den Lenkholm loslassen. Die Maschine hält sofort an.
- 12) Bei hohen Motordrehzahlen müssen die Bedienungshebel "mit Gefühl" benutzt werden.
- 13) Den Motor nicht in geschlossenen Räumen laufen lassen (Vergiftungsgefahr - gefährliche Abgase).
- 14) **VORSICHT! Der Treibstoff ist leicht entzündlich.** Den Treibstoff in speziell zu diesem Zweck hergestellten Kanistern aufbewahren. Stets im Freien und niemals bei angelassenem Motor nachtanken. Den Tankdeckel niemals bei angelassenem Motor öffnen oder wenn es heiß ist. Beim Austreten von Treibstoff auf keinen Fall versuchen, den Motor anzulassen sondern versuchen, die Maschine aus dem Gefahrenbereich zu entfernen unter Vermeidung von Zündquellen, bis die Abgase völlig verdampft sind.
- 15) Keinen Treibstoff verschütten, und beim Tanken ausgetretenen/verschütteten Treibstoff vor dem Anlassen des Motors entfernen.
- 16) Den Treibstoff in speziell zu diesem Zweck hergestellten Behältern aufbewahren.
- 17) Nur bei Tageslicht oder guter Beleuchtung arbeiten.

FOLGENDES IST ZU VERMEIDEN

- 18) Den Einachsschlepper auf keinen Fall benutzen zur Zertrümmerung oder Zerquetschung von Baumaterial, Plastikmaterial, Metallteilen, Wurzeln, Stämmen oder Abfall im Allgemeinen.
- 19) Die Maschine nicht benutzen, um Personen, Tieren oder Dinge zu befördern. .

WEITERE SICHERHEITSHINWEISE

- 20) **Die Sicherheitsvorrichtungen auf der Maschine niemals außer Funktion setzen bzw. entfernen!**
- 21) **Niemals bei laufendem Motor Reinigungsarbeiten bzw. Einstellungen durchführen.**
- 22) **Die Maschine niemals von einer anderen Person kontrollieren lassen, während Sie selbst auf dieser sitzen und der Motor läuft.**
- 23) Der Benutzer ist immer für anderen Personen zugefügte Schäden oder den Gefahren, die gelaufen werden könnten, verantwortlich!
- 24) Beschädigte bzw. verformte Hacken nicht reparieren, sondern immer auswechseln.
- 25) Ausschließlich Original Grillo Ersatzteile verwenden.
- 26) Vor jeder Benutzung der Maschine sicherstellen, dass alle Sicherheitseinrichtungen funktionieren. Es ist strengstens untersagt, die Sicherheitseinrichtungen außer Betrieb zu setzen oder zu entfernen.
- 27) Vor jeder Benutzung der Maschine sicherstellen, dass alle Schrauben und Befestigungsmuttern der Fräs- bzw. der Hackeinrichtung gut angezogen sind.
- 28) Die Schutzverkleidung (Gehäuse, Kotbleche, usw.) darf nicht abmontiert werden.
- 29) Die Fräse niemals mit laufendem Motor reinigen.
- 30) Niemals barfuß arbeiten.
- 31) Die Einstellung des Motors, insbesondere die maximale Drehzahl, nicht verstellen.
- 32) Bevor die Maschine in einem eingeschlossenen Raum abgestellt wird, muss der Motor abgekühlt sein.
- 33) **ACHTUNG:** Um die Brandgefahr zu reduzieren, müssen der Motor, der Auspufftopf, die Auspuffkrümmer immer frei von Gras, Blättern, Staub usw. gehalten werden.
- 34) Den Treibstofftank immer nur im Freien entleeren.
- 35) Nicht laufen, sondern die Maschine stets im Gehschritt begleiten.
- 36) Den Motor mit einem angemessenen Abstand der Füße von der Fräse anlassen.
- 37) Die Maschine auf keinen Fall bei angelassenem Motor anheben oder transportieren.
- 38) **Die Maschine niemals mit Treibstoff im Tank an Stellen lagern, wo die Gase mit evtl. offenen Flammen oder Funken in Verbindung kommen könnten.**
- 39) Die Maschine nie zum Fortschieben oder Schleppen benutzen.
- 40) Die Grillo Einachsschlepper wurden einzig zum Einsatz mit Grillo Original Zubehör entwickelt oder mit von Zubehör anderer Hersteller, das von Grillo genehmigt wurde. Auf keinen Fall darf

Zubehör eingesetzt werden, das nicht Original Grillo ist oder von Herstellern produziert wurde, die nicht von Grillo genehmigt wurden. Bei Fragen wenden Sie sich immer an den zugelassenen Grillo Fachhändler oder an den Grillo Service.

Jeder unsachgemäße Gebrauch hat den Verfall des Garantieanspruches und der Haftung des Herstellers zur Folge.

ACHTUNG!

Bei andauerndem Einsatz der Maschine stets den Normen konformem Gehörschutz (Gehörschutzstöpsel oder Kapselgehörschutz) tragen.



ABB. A

IDENTIFIKATION DER MASCHINE UND KUNDENDIENST



IDENTIFIKATION DER MASCHINE

Auf dem Maschinenrahmen befindet sich eine Plakette mit der Seriennummer der Maschine, die für die Bestellung von Ersatzteilen und bei allen die Maschine betreffenden Anfragen an den Hersteller/Händler anzugeben ist.

KUNDENDIENST

In der vorliegenden Bedienungsanleitung finden Sie Anleitungen für den korrekten Gebrauch Ihrer Maschine und die vom Benutzer allein durchführbaren Wartungseingriffe. Für alle nicht in dieser Bedienungsanleitung beschriebenen Eingriffe und Arbeiten wenden Sie sich bitte an Ihren Grillo-Händler.

ERSATZTEILE

Verwenden Sie ausschließlich Original-Ersatzteile, die unter sicherheits- und montagetechnischem Standpunkt keine Probleme bereiten können. Bei der Ersatzteilebestellung immer die Seriennummer der Maschine angeben. Für die Ersatzteile des Motors die Hinweise im Handbuch des Motors beachten.

GARANTIE

Es gelten die gesetzlichen Garantiebedingungen. Der Händler muss eine Kopie der Garantie-Karte der Maschine dem Kunden geben. Die Kopie kann von der Grillo Webseite heruntergeladen werden. Für den Motor gelten die vom jeweiligen Hersteller vorgesehenen Garantiebedingungen.

ERSATZTEILE-BESTELLUNG

Immer die Seriennummer der Maschine und die Artikelnummer des gewünschten Ersatzteils angeben. Wenden Sie sich bitte an unsere Ersatzteilelager. Unsere Adresse ist wie folgt:

GRILLO S.p.A.
Via Cervese 1701 - 47521 CESENA (FC) - ITALIEN
Tel. 0039 / 0547 / 633111 - Fax 0039 / 0547 / 632011
Webseite: www.grillospa.it - E-mail: grillo@grillospa.it

TECHNISCHE DATEN G85 - G85D

MOTORTYPEN:

- **EX27** OHV 265 cm³ 8,3 PS (mit 3600 U.p.M.) 4-Takt Einzylinder Benzin.
- **GR 300**, 302 cm³, 9,3 PS (mit 3600 U.p.M.) 4-Takt Einzylinder Benzin.
- **HONDA GX270**, 270 cm³, 8,4 PS (mit 3600 U.p.M.) 4-Takt Einzylinder Benzin.
- **KOHLER KD15 350** 349 cm³ 7,5 PS (mit 3600 U.p.M.) 4-Takt Einzylinder Diesel.

Versionen mit Elektrikstarter verfügbar auf Anfrage.

MASCHINE:

Kupplung: konische Aktiv-Kupplung.

Getriebe: 4-Gang-Zahnradgetriebe mit 2 Vorwärts- und 2 Rückwärtsgängen bei Variante Einachsschlepper und als Motormäher (Lenkholm umlegen).

Geschwindigkeit in km/h bei 3600 U/min:

GANG	GESCHWINDIGKEIT MIT 4.00-8 RÄDERN
1.	1,1
2.	2,6
1. RG	1,1
2.RG	2,6

Zapfwelle: 965 Umdrehungen unabhängig vom Getriebe bei 3600 U/min.

Räder: Bereifung 4.00-8 - 4.00-10 - 5.00-10

Fräse: Standard 58 cm, auf 37-47-68 cm verstellbar.

Lenkholm: Höhen- und seitenverstellbar, umlegbar.

Spurweite: Am äußeren Rand der Räder gemessen: Mit Luftbereifung 4.00-8 42cm.; mit Metallgitterrädern 36-44 cm.

Zubehör: Fräse, Zwillingsfräse, Mähbalken, Schneefräse, Pflug, Häufelkörper, Wiesenmäher, Schlegelmäher, Bewässerungspumpe, Spritzpumpe, gezogener Anhänger, Stützrad für Fräse, Anhängerkupplung, Anbautank unter Holm, Radgewichte, Eisenräder, Hackeinrichtung, Transportwagen, Heurechen, Frontschieber, Biozerkleinerer, Kehrmaschine.

TECHNISCHE DATEN 107D

MOTORTYPEN:

- **EX27** OHV 265 cm³ 8,3 PS (mit 3600 U.p.M.) 4-Takt Einzylinder Benzin.
- **GR 300**, 302 cm³, 9,3 PS (mit 3600 U.p.M.) 4-Takt Einzylinder Benzin.
- **HONDA GX270**, 270 cm³, 8,4 PS (mit 3600 U.p.M.) 4-Takt Einzylinder Benzin.
- **KOHLER KD15 440** 441 cm³ 11 PS (mit 3600 U.p.M.) 4-Takt Einzylinder Diesel.

Versionen mit Elektrikstarter verfügbar auf Anfrage.

MASCHINE:

Kupplung: konische Aktiv-Kupplung.

Getriebe: 6-Gang-Zahnradgetriebe mit 3 Vorwärts- und 3 Rückwärtsgängen bei Variante Einachsschlepper und als Motormäher (Lenkholm umlegen).

Geschwindigkeit in km/h bei 3600 U/min:

GANG	GESCHWINDIGKEIT MIT RÄDER 4.00-10
1.	1,2
2.	2,2
3.	3,3
1. RG	1,2
2. RG	2,2
3. RG	3,3

Zapfwelle: 965 Umdrehungen unabhängig vom Getriebe bei 3600 U/min.

Räder: Bereifung 4.00-8 - 4.00-10 – 5.00-10.

Fräse: Standard 58 cm, auf 37-47-68 cm verstellbar.

Lenkholm: Höhen- und Seitenverstellbar, umlegbar.

Spurweite: Am äußeren Rand der Räder gemessen: Mit Luftbereifung 4.00-8 42cm; mit Metallgiterrädern 36-44 cm.

Zubehör: Fräse, Zwillingsfräse, Mähbalken, Schneefräse, Pflug, Häufelkörper, Wiesenmäher, Schlegelmäher, Bewässerungspumpe, Spritzpumpe, gezogener Anhänger, Stützrad für Fräse, Anhängerkupplung, Anbautank unter Holm, Radgewichte, Eisenräder, Hackeinrichtung, Transportwagen, Heurechen, Frontschieber, Biozerkleinerer, Kehrmaschine.

INBETRIEBNAHME DER MASCHINE

- 1) Die Maschine auf Transportschäden hin untersuchen.
- 2) Die Maschine aus der Verpackung herausnehmen und darauf achten, dass weder Hebel noch Kabel beschädigt werden. Benutzen Sie einen hierfür vorgesehenen Kran mit Mindesttragkraft 200 kg. Bevor die Maschine auf den Boden gestellt wird, müssen die Räder montiert werden. Stellen Sie sicher, dass Befestigungsmuttern gut angezogen sind (Abb. 3, Pos. 8).
- 3) Zur Optimierung der Verpackung wird die Maschine mit dem Lenkholm in Motorbalkenmäher Version geliefert (der Lenkholm wird über den Motor gelegt). Möchte man den Lenkholm zum Anschließen der Fräse benutzen, muss man den Hebel (Abb. 3A, Pos.12) drücken und dann langsam den Lenkholm entgegen dem Uhrzeigersinn um 180° drehen. Achten Sie darauf, dass die Kabel nicht gequetscht werden. Danach das Gestänge zum Einlegen der Gänge und für die Umkehr der Fahrtrichtung in die unteren Ösen (siehe Abb. 3A für G85-G85D, siehe Abb. 3B für G107d) einfügen.
- 4) Die Zapfwelle der Maschine um die Kupplung mit Fett schmieren und dann das Zubehör (z.B. Fräse, Mähbalken usw.) anschließen und die Feststellmuttern gut anziehen (Abb. 4A, Nr. 20).
- 5) Motoröl einfüllen, halten Sie sich genau an das beiliegende Handbuch.
- 6) Getriebeöl kontrollieren (Abb. 6) und Öl der Marke MP 80W 90, oder die internationale Korrespondenz Öl API GL5, US MIL-L-2105D hinzufügen, Menge 2,2 Liter bei G85 und 1,9 Liter bei G85D und G107D.
- 7) Öl in den Luftfilter im Ölbad einfüllen (für Versionen mit diesem Filtertyp), dasselbe Öl wie für den Motor verwenden (Abb. 7A).
- 8) Reifendruck kontrollieren (siehe Tabelle):

REIFENDRUCK		
4.00-8	2 PLY RATING	1,1 BAR
4.00-10	2 “ “	1,1 “
5.00-10	2 “ “	1,5 “

- 9) Bei Versionen mit E-Start die Batterie kontrollieren; die Spannung darf nicht weniger als 12,5V betragen; ggf. Batterie mit einem auf 12,5V und langsames Laden eingestelltem Landgerät 2 Stunden lang nachladen.

WICHTIGER HINWEIS!

Während der Montage die Pole der Batterie nicht umkehren.

- 10) Den Tank auffüllen; dazu einen mit einem sehr feinen Filter ausgerüsteten Trichter verwenden.
- 11) Bei den Ölstandkontrollen muss die Maschine immer horizontal stehen.

BETRIEBSANLEITUNG

Vor dem Anlassen des Motors immer kontrollieren:

- Ölstand im Motor (Abb. 5, Pos. A) und im Getriebegehäuse; der Ölstandmesser befindet sich auf dem oberen Deckel (Abb. 6); der Ölstand muss zwischen den beiden Rändern liegen.
- dass alle Schrauben und Muttern fest angezogen sind; dies gilt vor allem für die Schrauben und Muttern zum Befestigen der Hacken und der Geräte am Einachsschlepper.
- dass alle Hebel in Leerlaufposition sind.
- dass der Luftfilter (Version Trockenfilter) sauber ist (Abb. 7). Achtung! Den Einsatz nicht mit Pressluft blasen; ein verstopfter Filter muss ausgewechselt werden.
- dass der Luftfilter (Version Ölbadfilter) sauber ist und der Ölstand stimmt (Abb. 7A).
- Ölstand im Fräsgehäuse kontrollieren (Abb. 4D Nr. 3)
- Den Kraftstofftank auffüllen; dazu einen mit einem sehr feinen Filter ausgerüsteten Trichter verwenden.

ANLASSEN DES BENZINMOTORS

Den Treibstoffhahn öffnen (Abb. 4B, Nr. 21), den Gashebel bis zur Hälfte drücken (Abb. 3, Nr. 14) und dann die Starthilfe bei kaltem Motor betätigen (Abb. 4B, Nr. 18).

- Anlassen des Motors mit Reversierstart: Kräftig am Seilzuggriff anziehen (Abb. 4B Nr. 6).
- Anlassen des Motors mit E-Start: den Zündschlüssel auf dem Motor im Uhrzeigersinn drehen.

ANLASSEN DES DIESELMOTORS

Den Gashebel bis zur Hälfte drücken (Abb. 3, Nr. 14), und sicherstellen, dass die Abschaltvorrichtung (Abb. 3, Pos. 25) ganz nach oben gedreht wurde.

- Anlassen des Motors mit Reversierstarter: Kräftig am Seilzuggriff ziehen (Abb. 4B, Nr. 6).
- Anlassen des Motors mit E-Starter: den Zündschlüssel im Uhrzeigersinn drehen (Abb. 4C, Nr. 26).

ANLASSEN DER MASCHINE

Bei den Modellen G85 und G85d sicherstellen, dass der Ganghebel vom Rückwärtsgang (Abb. 3A, Nr.2) sich in Vorwärtsgangposition befindet (Abb. 3C) in die gewünschte Position gebracht wurde (

- Mit dem dafür vorgesehenen Hebel (Abb. 3A, Nr. 15) den gewünschten Gang einlegen. Sollte sich der Gang nicht sofort einlegen lassen, mehrmals die Kupplung ein- und auskuppeln. Langsam auf die Kupplung drücken, bis sich die Maschine in Bewegung setzt.
- Zum in Gang setzen der Maschine die graue Sicherheitstaste (Abb. 3A, Nr.27) senken und dann den roten Hebel der Kupplung (Abb. 3A, Nr. 1) senken. Lässt man den roten Hebel (Abb. 3A, Nr. 2) los, hält die Maschine an, der Motor läuft aber weiter. Der Hebel kehrt in die senkrechte Stellung zurück.

BEGINN DER ARBEIT (mit der Maschine in der Einachsschlepperversion)

Die Zapfwelle nach vorne drücken, indem der Zapfwellenhebel (Abb. 3A, Nr. 13) bis zum Einrasten gezogen wurde. Sollte sich der Hebel nicht sofort einlegen lassen, mehrmals die Kupplung ein- und auskuppeln. Langsam auf die Kupplung drücken, bis sich die Maschine in Bewegung setzt.

ACHTUNG: Ist die Fräse eingeschaltet, müssen Hände und Füße von der Schutzhaube ferngehalten werden, und die Klappe der Fräse darf nicht geöffnet werden. Die Klappe muss am Boden haften bleiben, damit ein sicherer Einsatz der Maschine gewährleistet ist.

MERKE: Um Probleme der Kupplung während der Arbeit zu vermeiden, muss der rote Hebel gut gedrückt bleiben.

ACHTUNG! Nicht mit nur teilweise gedrücktem Hebel arbeiten!

Zum Auskuppeln der Fräse den Hebel (Abb. 3A, Nr. 13) in Richtung des Nutzer betätigen.

EINLEGEN DES RÜCKWÄRTSGANGS BEI DEN MODELLEN G85 UND G85D (bei Maschine in der Version Einachsschlepper)

Zum Einlegen des Rückwärtsgangs beim G85 und G85d in der Version Einachsschlepper muss man den dafür vorgesehenen Hebel drücken (Abb. 3A, Nr.2). Sollte sich der Rückwärtsgang nicht sofort einlegen lassen, mehrmals die Kupplung ein- und auskuppeln und den Hebel bis zum kompletten Einkuppeln begleiten.

ACHTUNG: Vor Senken des roten Kupplungshebels zum Anlassen der Maschine muss vorher geprüft werden, ob der Vorwärts – oder der Rückwärtsgang eingelegt wurde (siehe Aufkleber – Abb. 1) .

EINLEGEN DES RÜCKWÄRTSGANGS BEIM MODELL G107D (bei Maschine in der Version Einachsschlepper)

Zum Einlegen des Rückwärtsgangs beim G107d muss man den dafür vorgesehenen Hebel drücken (Abb. 3B, Nr. 2).

ACHTUNG: Vor Senken des roten Kupplungshebels zum Anlassen der Maschine muss vorher geprüft werden, ob der Vorwärts – oder der Rückwärtsgang eingelegt wurde.

ACHTUNG: Bei allen Grillo Einachsschleppern ist es aus Sicherheitsgründen nicht möglich mit der Fräse zu arbeiten, wenn der Rückwärtsgang eingelegt wird. Vor Einlegen des Rückwärtsgangs muss sichergestellt werden, dass die Zapfwelle ausgekuppelt ist. BEIM EINSATZ DER MASCHINE IN DER VERSION EINACHSSCHLEPPER, MUSS SICHERGESTELLT WERDEN, DASS DIE SICHERHEITSSCHRAUBE WIE IN ABB. 2A POSITIONIERT IST.

BEI GEFAHR SOFORT DEN ROTEN KUPPLUNGSHEBEL LOSLASSEN (Abb. 3A - 3B, Nr. 1), SO HALTEN DIE MASCHINE UND DIE FRÄSE SOFORT AN.

EINSTELLUNG DES LENKHOLMS

Zur Höheneinstellung des Lenkholms muss der dafür vorgesehene Hebel (Abb. 3A, Nr. 10) entsperrt werden um den Lenkholm höher oder niedriger zu stellen und dann den Hebel erneut zu sperren. Um den Lenkholm nach rechts oder links zu drehen, den dafür vorgesehenen Hebel (Abb. 3A, Nr. 12) drücken, den Lenkholm in die gewünschte Richtung drehen und dann den Hebel wieder loslassen, damit der Lenkholm in der gewünschten Position bleibt.

SPERREN UND ENTSPPEREN DES DIFFERENTIALS

Das Modell G85 ist mit einer festen Achse ausgestattet, daher ist es nicht mit einem Differential bestückt. Die Modelle G85D und G107D sind mit einem Differential an der Radachse ausgestattet. Auf der rechten Seite des Lenkholms ist ein T-förmiger Hebel angebracht (Abb. 3A - 3B, Nr. 22), zieht der Nutzer den Hebel nach hinten wird das Differential gesperrt, drückt der Nutzer den Hebel nach vorne wird das Differential entsperrt. Normalerweise wird mit dem entsperrten Differential gearbeitet (Abb. 3A, Nr. 22 nach vorne gedrückt), damit die Maschine leichter in der Handhabung ist und wendiger ist. Bei Arbeiten auf Flächen mit geringer Haftung erweist sich das Sperren des Differentials (Abb. 3A, Nr. 22 nach hinten gezogen) als nützlich, um einen besseren Antrieb zu erlangen.

ABSTELLEN DES BENZINMOTORS

Den Gashebel wieder in die „0“ Stellung bringen (Abb. 3A, Nr. 24).

ACHTUNG: Bei Maschinen mit E-Start, muss nach Abstellen des Motors der Zündschlüssel im Gegenuhrzeigersinn in die Position „OFF“ (Abb. 4C, Nr. 26) gedreht werden, damit die Batterie abgetrennt wird. Bleibt der Zündschlüssel nach Abstellen des Motors in der Position zum Anlassen laufen Sie Gefahr, dass die Batterie sich komplett entlädt.

ABSTELLEN DES DIESELMOTORS

Die links am Lenkholm angebrachte Abschaltvorrichtung komplett drücken (Abb. 3A - 3B, Nr. 25).

ACHTUNG: Bei Maschinen mit E-Start, muss nach Abstellen des Motors der Zündschlüssel im Gegenuhrzeigersinn in die Position „OFF“ gedreht werden, damit die Batterie abgetrennt wird (vgl. Abb. 4C, Nr. 26). Bleibt der Zündschlüssel nach Abstellen des Motors in der Position zum Anlassen laufen Sie Gefahr, dass die Batterie sich komplett entlädt.

BEENDIGUNG DER ARBEIT

Nach Arbeitsende den Motor abstellen, der Zündschlüssel abziehen (bei Maschinen mit E-Start), das Getriebe in die Leerlaufposition stellen und die Zapfwelle auskuppeln. Mit dem Getriebe in Leerlaufposition (mit dem Buchstaben „F“ gekennzeichnet) kann man die Maschine von Hand bewegen.

ACHTUNG: Befindet sich die Maschine in Hanglage, darf sie niemals Leerlaufposition gelassen werden. Falls notwendig muss die Maschine mit dem eingelegten 1. Gang geparkt werden.

ACHTUNG: Die Maschine darf niemals unbewacht lassen und /oder von Kindern und Personen, die nicht im Umgang mit der Maschine unterwiesen wurden, ferngehalten werden.

EVENTUELL AUFTRETENDE STÖRUNGEN UND DEREN BEHEBUNG

Nachfolgend finden Sie eine Liste kleiner Störungen, die bei der Benutzung der Maschine auftreten und vom Kunden selbst behoben werden können.

1) Der Motor springt nicht an (**Benzinmotor**). Der Reihe nach die folgenden Kontrollen durchführen:

- der Benzintank muss mindestens halb voll sein
- der Benzinhahn muss offen sein
- der Starter muss eingeschaltet sein (falls der Motor kalt ist)
- der Vergaser muss mit Benzin versorgt werden
- das Entlüftungsloch auf dem Tankdeckel darf nicht verstopft sein
- der Netzfilter am Vergasereingang muss sauber sein
- die Vergaserdüsen müssen sauber sein; zum Überprüfen die Düsen abschrauben und gegebenenfalls mit Druckluft reinigen
- die Zündkerze muss einen Funken erzeugen. Zum Durchführen dieser Kontrolle die Kerze ausbauen, wieder an das Speisekabel anschließen, das Metallteil an Masse legen und die Motorscheibe wie zum Anlassen drehen lassen. Springt zwischen den beiden Elektroden kein Funken über, die Verbindungen des Zündkerzenkabels überprüfen. Funktioniert die Stromversorgung noch immer nicht, die Kerze auswechseln. Funktioniert die Maschine noch immer nicht, dann liegt die Störungsursache bei der elektrischen Anlage, dem Kondensator, der Spule oder einem anderen Organ und wir empfehlen Ihnen, sich an die nächste Kundendienststelle oder an eine Fachwerkstätte zu wenden.

2) Der Motor springt nicht an: (**Dieselmotor**)

Der Reihe nach die folgenden Kontrollen durchführen:

- das Entlüftungsloch des Tankdeckels darf nicht verstopft sein
- der Dieseltank muss mindestens halb voll sein.

3) Bei angelassenem Motor kommt die Maschine nicht voran. Der Reihe nach folgende Kontrollen durchführen:

- prüfen, dass der Vorwärtsgang eingelegt ist
- kontrollieren, dass der rote Kupplungshebel ganz gedrückt ist und dass die Feder der Kupplung (Abb. 8) ganz gedrückt ist. Die Kupplung durch die Einstellschraube einstellen, bis eine gute Auskupplung gegeben ist. (Abb. 3A, Nr.17).

4) Lässt sich der **Benzinmotor** nicht abstellen müssen der Reihe nach folgende Kontrollen durchgeführt werden:

- prüfen, dass der Gashebel (Abb. 3, Nr. 24) sich in der Position „0“ befindet.
- prüfen, ob das Elektrokabel zum Abstellen des Motors korrekt an den Gashebel und an den Konnektor am Motor angeschlossen ist.

5) Lässt sich der **Dieselmotor** nicht abstellen müssen der Reihe nach folgende Kontrollen durchgeführt werden:

- prüfen, dass der Gashebel (Abb. 3A, Nr. 25) zum Abstellen der Dieselmotoren auf der linken Seite des Lenkholms ganz nach unten gedrückt ist.
- prüfen, ob das Elektrokabel zum Abstellen des Motors korrekt an den Motor angeschlossen ist.

WIRD DIE MASCHINE LANGE ZEIT NICHT BENUTZT

sind folgenden Vorkehrungen zu treffen:

- den Tank entleeren
- Motor und Maschine sorgfältig waschen. Den Lenkholm-Umkehrmechanismus ölen.

WARTUNG UND SCHMIERUNG

ACHTUNG!

- Vor jedem Reinigungs-, Wartungs- oder Reparaturingriff den Zündkerzenkabel aus Zündspule entfernen. Zweckmäßige Arbeitskleidung und Arbeitshandschuhe tragen.
- Wenn die Maschine oder ein Teil der Maschine angehoben wird, benutzen Sie immer geeignete Arbeitsmittel wie z.B. Hubtische oder Radkeile.
- Wenn Sie Wartungsarbeiten an der Maschine durchführen, lassen Sie die angehobene Maschine nie in ungesicherten Zustand (ohne Radkeile) und unbewacht, vor allem an einem Ort, wo unerfahrene Personen oder Kinder leichten Zugang zur Maschine haben können.
- Altöl, Benzin und andere Umwelt verschmutzende Produkte ordnungsgemäß entsorgen!
- Eine gute Wartung und eine korrekte Schmierung halten den Mäher stets funktionstüchtig und einsatzbereit.

EINFAHREN: Nach den ersten zwanzig Arbeitsstunden Motoröl wechseln.

MOTOR - Die im Handbuch des Motors enthaltenen schmierungsrelevanten Hinweise befolgen. In der Regel muss der Ölstand alle 8 Betriebsstunden kontrolliert und alle 100 Betriebsstunden ein Ölwechsel vorgenommen werden. Immer **15W40** verwenden. Beim Luftfilter alle acht Betriebsstunden den Ölstand überprüfen, bei besonders staubiger Umgebung auch häufiger. Zum Nachfüllen dasselbe Öl wie für den Motor verwenden (s. Motor-Handbuch); bei Trockenfilter den Einsatz auswechseln, wenn er verstopft ist (nicht mit Pressluft zu reinigen versuchen).

GETRIEBEGEHÄUSE - Alle fünfzig Betriebsstunden den Ölstand kontrollieren; dazu den Verschluss abnehmen und prüfen, ob das Öl bei waagrecht stehender Maschine zwischen den beiden Rändern steht. Gegebenenfalls dasselbe Öl **MP 80 W/90 (API GL5 US MIL-L-2105D)** wie für das Getriebe nachfüllen. Einmal jährlich einen Ölwechsel vornehmen.

FRÄSE - Alle 100 Betriebsstunden den Ölstand kontrollieren; dazu den Verschluss abschrauben; das Fräsegehäuse muss beinahe voll sein. Gegebenenfalls dasselbe Öl wie für das Getriebe nachfüllen (Abb. 4D, Nr. 3).

EINIGE NÜTZLICHE HINWEISE:

- 1) Vor dem Übergang vom Vorwärts- in den Rückwärtsgang und umgekehrt muss immer der rote Kupplungshebel (Abb. 3A, Nr. 1) hochgestellt werden.
- 2) Vor dem Einkuppeln der Zapfwelle muss der Kupplungshebel (Abb. 3A, Nr.1) hochgestellt werden.
- 3) Die Maschine bei widrigen Wetterumständen (Regen, Schnee, usw.) niemals draußen stehen lassen.
- 4) Kabel und Hebel müssen immer sauber sein.
- 5) Den Hebel zum Einlegen des Rückwärtsgangs niemals mit Gewalt einlegen; ggf. mehrmals die Kupplung ein- und auskuppeln (Abb. 3A, Nr. 13) und den Hebel begleiten bis er völlig eingelegt ist.
- 6) Niemals den Motor überansprechen. Tritt Rauch aus dem Auspuff, muss man sofort langsamer fahren.
- 7) Man kann mit dieser Maschine auch sehr harte Böden fräsen; stellen Sie sicher, dass die Arbeit bei warm gelaufenem Motor vorgenommen wird und das Einfahren korrekt vorgenommen wurde.
- 8) Häufig den Reifendruck prüfen.
- 9) Beim Anschluss von Zubehör (z.B. Fräse) darauf achten, dass das Zentrierstück des Schnellanschlusses (Abb. 4F) nicht beschädigt wird.

WARTUNG AM SAISONENDE

Die Maschine sorgfältig waschen; Motor-, Getriebe- und Fräsenöl wechseln und den Luftfilter reinigen. Die Hacken schleifen und einfetten; gegebenenfalls durch neue Hacken ersetzen.

ACHTUNG: Die Hacken sind aus speziellem, gehärteten Stahl. Die Hacken niemals schweißen wenn sie verbraucht oder gebrochen sind, da sie brechen und weit weggeschleudert werden könnten, was Schäden an Gegenständen und/oder Personen zur Folge haben könnte.

ZUSAMMENFASSENDE TABELLE DER WARTUNG						
OPERATION		ALLE 8 STUNDEN	NACH DEN ERSTEN 20 STUNDEN	ALLE 50 STUNDEN	ALLE 100 STUNDEN	ALLE 200 STUNDEN
Motoröl	den Stand überprüfen	•				
	wechseln		•		•	
Luftfilter	überprüfen	•				
	wechseln				*	
Zündkerze	Überprüfen/einstellen				•	
	wechseln					•
Getriebeöl	den Stand überprüfen	•		•		
	wechseln					•
Überprüfen Sie, dass das Ansauggitter des Motors sauber ist		•				
Mähbalken	Den Anschluss des Messers überprüfen		•	•		
	einfetten	•				
Überprüfen Sie, dass die Hacken gut geschärft und befestigt sind.			•	•		
Mit Fett einschmieren		•				
Kupplungsspiel überprüfen			•	•		

• empfohlene Operation

* nur wenn notwendig durchführen

ZUBEHÖR

FRÄSE

Die Fräse dient zum Auflockern der oberen Erdschichten, um deren Durchlässigkeit zu verbessern und sie gleichzeitig von Unkraut zu befreien. Auf harten Böden die erste Geschwindigkeit benutzen, auf lockeren, sandigen Böden die zweite Stufe. Die Einfrästiefe kann durch Anheben und Absenken des unter dem Fräskörper befindlichen Zentralmessers verstellt werden. Um die Frästiefe zu erhöhen, ist das Messer nach oben zu verstellen. Es empfiehlt sich, die Arbeit mit dem Messer in der tiefsten Position zu beginnen und anschließend je nach gewünschter Frästiefe das Messer anzuheben (Abb. 4E). Merke: Wenn die Maschine auf harten Böden nach vorne zu hüpfen beginnt, das Messer ganz absenken und im dritten Loch befestigen (Abb. 4E). Kontrollieren, ob die Messer korrekt montiert sind.

ACHTUNG: Bei allen Grillo Einachsschleppern ist es aus Sicherheitsgründen nicht möglich mit der Fräse zu arbeiten, wenn der Rückwärtsgang eingelegt wird. Vergewissern Sie sich, dass die Sicherheitsschraube wie in Abb. 2A positioniert ist.

Auf keinen Fall darf die Sicherheitsvorrichtung geändert werden.

ACHTUNG: Bei angelassenem Motor Hände und Füße vom Fräsgehäuse fernhalten, da die Rotation der Messer äußerst gefährlich ist. Vor der Ausführung von irgendwelchen Arbeiten an der Fräse (z. B. Auswechseln der Hackmesser) IMMER DEN MOTOR ABSTELLEN.

VERSTELLBARER HÄUFELKÖRPER

Der verstellbare Häufelkörper dient zum Ziehen von Saat- oder Bewässerungsfurchen und wird wie Pflug und Fräseinrichtung auf dem Geräte-Kupplungsflansch montiert, welcher sich hinten am Getriebegehäuse befindet. Durch Verstellen der Position der beiden Flügel kann eine Furchenbreite von mindestens 10 bis maximal 30 cm erreicht werden. Die Arbeitstiefe reicht von 10 bis 20 cm. Falls in besonders harten Böden gearbeitet werden muss, empfiehlt es sich, den Boden vorher mit der Fräse aufzulockern und erst danach den Häufelkörper einzusetzen. Die Leistung des Häufelkörpers kann zusätzlich verbessert werden, indem die Luftreifen 5.00-12 montiert werden und eventuell auch die Radgewichte, um die Bodenhaftung zu verbessern (Abb. 10).

MÄHBALKEN

Der auf dem Einachsschlepper montierbare Mähbalken verfügt über eine zentrale Steuerung. Dank seiner robusten Konstruktion und hohen Leistung ist dieser Mähbalken ideal zum Mähen von kleinen Flächen, für die sich der Kauf einer Motormähmaschine nicht lohnt, da diese die meiste Zeit des Jahres unbenutzt bleiben würde, während der Einachsschlepper auch mit anderen Geräten eingesetzt werden kann. Der Mähbalken wird anstelle der Fräse an die Gerätekupplung montiert und mit den selben zwei Muttern befestigt. Den Lenkholm um 180° zur Motorseite hin schwenken. Dazu den 1. Gang einlegen und danach die Steuerstangen aushaken. Den Holm drehen und die Stangen wieder in die oberen Supporte einsetzen. Durch das Drehen des Lenkholmes können dank des Mechanismus im Holmlager alle Gänge wie bei der Variante Einachsschlepper genutzt werden, mit Ausnahme des schnellsten, 3. Ganges, der aus Sicherheitsgründen ungenutzt bleibt. Zum Einschalten der Messerbewegung die Sicherheitsvorrichtung ausschalten, die das gleichzeitige Einschalten von Rückwärtsgang und Zapfwelle verhindert (was jedoch für die Fräse erforderlich ist). Dazu einfach die Schraube entfernen, die gegen den Ganghebel drückt, und dadurch die Doppeleinschaltung verhindern (Abb.2).

Wichtig: Wird die Fräse wieder aufgesetzt, dann muss die Sicherheitsvorrichtung wieder aktiviert werden. Der Hersteller lehnt jede Verantwortung ab, falls diese Maßnahme nicht beachtet wird (Abb. 2 und Abb. 2/A).

Wartung: Die Kreuzstifte durch die Fettbüchse auf der oszillierenden Kurbel alle acht Betriebsstunden fetten. Das Balkenschwinglager alle 50 Betriebsstunden durch die unter dem oszillierenden Schutz liegende Fettbüchse nachfetten.

Das Messer durch Einstellen der Messerhalterungen justieren; die Messerhalterungen dürfen nicht zu fest angezogen sein, da das Messer dadurch blockiert würde; es darf jedoch andererseits nicht zu viel Spiel zu den Zahnplatten bestehen. Zum Einstellen der Messerhalterungen für die beiden Typen die Feststellschrauben lockern (Abb. 12), und die Andruckschraube einstellen.

Sind die Messerhalterungen verbraucht, empfiehlt es sich, sie durch neue zu ersetzen, auch wenn sie noch Druck ausüben können. Zum Einstellen des Spiels zwischen Messer und Abnutzstreifen die Schrauben, welche die Streifenandrücker arretieren, lockern und den Streifen nach vorne setzen, bis er gegen die Stange stößt, auf der die Messerabschnitte genagelt sind. Nun die Streifenandrücker wieder blockieren. Zum Abnehmen des Messers die Messerkupplung L durch Abschrauben der beiden Schrauben abnehmen (Abb. 13 Nr. 3) und das Messer herausziehen. Nach dem Einsetzen des neuen Messers die Blockierschrauben der Kupplung wieder gut anziehen. Immer gut geschliffene Messer verwenden; die Maschine arbeitet dadurch leichter und hält länger. Nach Beendigung der Arbeit jeden Tag den Mähbalken waschen und von Schnittgut- und Erdresten säubern. Hin und wieder kontrollieren, ob alle Schrauben fest angezogen sind.

SCHNEEFRÄSE

Die speziell für diesen Einachsschlepper konstruierte Schneefräse (Abb. 14) ist ideal zum Schneeräumen auf Plätzen, in Garageneinfahrten, usw. Sie besteht aus einer von einem vorne offenen Gehäuse umschlossenen Turbinenfräse, die bei hoher Drehzahl den Schnee aufnimmt und durch ein verstellbares Rohr auswirft. Der Schnee kann so in die gewünschte Richtung (nach rechts, links oder vorne mit allen Zwischenpositionen) 8-10 m weit geschleudert werden.

Die Schneefräse wird an der Gerätekupplung montiert und mit den beiden Muttern arretiert. Der Lenkholm muss um 180° auf die Motorseite gedreht werden; dazu wie bei der Montage des Mähbalkens beschrieben vorgehen. Zum Einschalten der Schneefräse muss die Sicherheitsvorrichtung, welche ein gleichzeitiges Einschalten von Rückwärtsgang und Zapfwelle verhindert (was jedoch für die Fräse erforderlich ist), ausgeschaltet werden. Dazu einfach die auf dem Abtriebhebel befindliche Schraube abnehmen. **Dazu einfach die Schraube entfernen, die gegen den Ganghebel drückt, und dadurch die Doppeleinschaltung verhindern (Abb.2)**

Wichtig: Wird die Fräse wieder aufgesetzt, dann ist die Sicherheitsvorrichtung neuerlich zu aktivieren. Der Hersteller lehnt im Falle der Nichtbeachtung dieses Hinweises jegliche Verantwortung ab (Abb. 2 und 2A).

Die Schneefräse ist 70 cm breit und kann Schnee bis zu einer maximalen Höhe von 40 cm räumen. Für eine optimale Leistung wird die Montage der Radgewichte oder der Ketten empfohlen. Bei sehr nassem Schnee empfiehlt es sich, den Auswurfkamin nach vorne zu richten, um ein Verstopfen desselben zu vermeiden. Die beiden seitlichen Schlitten müssen so eingestellt werden, dass sie den Boden gerade noch streifen, wenn es sich um eine ebene Fläche handelt (asphaltierte Straße), bei unebenem Gelände hingegen genügend Bodenfreiheit gewährleistet ist.

Wartung: Nach dem Schneeräumen ist es ratsam, den in der Fräse verbliebenen Schnee zu entfernen, um ein Vereisen des Turbinenläufers zu vermeiden. **Reinigen Sie das Werkzeug nicht, wenn der Motor läuft. Achtung, Gefahr! Berühren Sie nie die Schneefräse, wenn es im Betrieb ist.**

ACHTUNG!: Beim Montieren der diversen Geräte auf die Gerätekupplung darauf achten, dass der Maschinen- und der Geräteflansch genau zusammenpassen, um eine perfekte Zentrierung zu erhalten. Die Muttern der beiden Stiftschrauben müssen zuerst von Hand bis zu ihrem Hubende angelegt und danach mit einem Schlüssel so festgezogen werden, dass sie gleichzeitig auf die Flansch drücken (Abb. 4F).

PFLÜGE

Die für den Einachsschlepper entwickelten Pflüge (Abb. 15) ermöglichen ein gutes Pflügen ohne übermäßige Kraftanstrengung für den Benutzer. Es stehen zwei Pflugtypen zur Verfügung: Einscharpflug oder 180°- Drehpflug. Der Letztere eignet sich besonders für Arbeiten, die in beide Richtungen ausgeführt werden müssen, wie zum Beispiel in Wein- oder Obstgärten. Die Furchentiefe kann je nach Bodenbeschaffenheit von 10 bis 15 cm schwanken. Der Benutzer kann optimale Leistung erhalten, wenn man die Räder 5.00-12 einstellt und eventuell auch die Radgewichte, die die Reibung auf der Straße verbessern.

WIESENMÄHER

Der Wiesenmäher mit 75 cm rotierender Klinge (Abb. 16) wurde für die Pflege von Böden mit hohem Gras entworfen. Die hohe Leistung, die Triebräder, die Arbeitsgeschwindigkeiten und der Umkehrmechanismus ermöglichen auch unter schwierigsten Bedingungen ein müheloses und

zeitsparendes Arbeiten. Der Wiesenmäher wird an die Gerätekupplung des Einachsschleppers angeschlossen und mit den beiden Muttern befestigt. Der Lenkholm muss um 180° auf die Motorseite gedreht werden; beachten Sie bitte die diesbezüglichen Hinweise im Kapitel über die Montage des Mähbalkens. Zum Einschalten des Wiesenmähers muss die Sicherheitsvorrichtung, welche ein gleichzeitiges Einschalten von Rückwärtsgang und Zapfwelle verhindert (was jedoch für die Fräse erforderlich ist), ausgeschaltet werden. **Dazu einfach die Schraube entfernen, die gegen den Ganghebel drückt, und dadurch die Doppeleinschaltung verhindern (Abb.2)**

Wichtig: Wird die Fräse wieder aufgesetzt, dann ist die Sicherheitsvorrichtung neuerlich zu aktivieren. Der Hersteller lehnt im Falle der Nichtbeachtung dieses Hinweises jegliche Verantwortung ab (Abb. 2 und 2A).

Die Übertragung der Bewegung auf die rotierende Klinge erfolgt über ein Paar konischer Zahnräder. Die Klinge ist so beschaffen, dass die Maschine bei Betätigen der Kupplung nicht durch die Schwingkraft gezogen wird. Die Schnitthöhenverstellung erfolgt über die Räder des Wiesenmähers; durch das Verstellen der Räder wird auch die Höhe der Kufen verändert.

Achtung! Die Rotation der Messer ist sehr gefährlich. Stellen Sie nie Hände und Füße unten den Wiesenmäher. Reinigen Sie das Werkzeug nicht, wenn der Motor läuft.

Wartung: Die Klinge muss immer scharf sein; dadurch wird der Schnitt besser und der Motor muss weniger Kraft aufwenden. Nach dem Klingewechsel die beiden Befestigungsschrauben gut anziehen. Kontrollieren Sie auch oft, ob die beiden Muttern, mit denen der Wiesenmäher auf der Maschine befestigt ist, auch gut angezogen sind. Alle 50 Betriebsstunden den Ölstand im Zahnradkasten kontrollieren; dazu den auf dem Gehäuse angebrachten Verschluss abnehmen und prüfen, dass das Öl nicht mehr als 50 mm tiefer als der Rand des Loches ist; gegebenenfalls mit **MP 80W/90 (API GL5 US MIL-L-2105D)** nachfüllen. Einmal jährlich einen Ölwechsel vornehmen.

ACHTUNG: Das Messer ist aus speziellem, gehärteten Stahl. Das Messer niemals schweißen wenn es verbraucht oder gebrochen ist, da es brechen und weit weggeschleudert werden könnten, was Schäden an Gegenständen und/oder Personen zur Folge haben könnte.

GEZOGENER ANHÄNGER

Der gezogene Anhänger ist eine nützliche Hilfe bei kleinen Transportarbeiten. Er zeichnet sich vor allem durch seine Wendigkeit, den geringen Platzbedarf und die schnelle Anhängerkupplung an den Einachsschlepper aus. Der Anhänger kann direkt an die dafür vorgesehene Kupplung (Abb. 17) angeschlossen werden, ohne die Fräse abzumontieren. Max. Ladefähigkeit in der Ebene: 300kg. **Achtung! Benutzen Sie den Anhänger nicht, wenn die Hangneigung höher als 5% ist. Der Transport von Passagieren ist nicht erlaubt. Es ist verboten mit dem Anhänger auf öffentlichen Straßen zu fahren.**

RADGEWICHTE

Die Radgewichte werden auf die Radfelgen montiert und mit zwei der vier Muttern, die zur Befestigung der Räder dienen, blockiert. Sie erhöhen das Gewicht der Maschine und damit deren Bodenhaftung und sind für alle Arbeiten mit dem Pflug oder dem verstellbaren Häufelkörper empfehlenswert, sowie bei besonders anspruchsvollen Arbeiten mit der Fräse oder dem Anhänger (Abb. 18).

SCHNELLKUPPLUNG

Diese Kupplung ermöglicht die schnelle Anbringung der diversen Anbaugeräte ohne die Zuhilfenahme von Werkzeugen; das Gerät kann durch einfaches Ziehen eines Hebels ausgekuppelt werden. Die Schnellkupplung besteht aus zwei Teilen, von denen einer an der Maschine, der andere am Anbaugerät befestigt wird. Wir empfehlen Ihnen daher, ein einziges Stück für die Maschine, und ein Stück pro Zubehör zu kaufen (Abb. 19). Alle 50 Stunden nachfetten. Es gibt zwei Typen: 50 mm und 60 mm. **ACHTUNG! Die Fräse niemals mit montiertem Schnellanschluss einsetzen, da das Gerät zu nah an den Füßen des Nutzers sein würde.**

ANHÄNGERKUPPLUNG

Die Anhängerkupplung dient zum Ankuppeln des Sitzwagens oder des Anhängers, ohne dass die Fräse abgenommen werden muss. Sie wird am Zughaken der Maschine befestigt (Abb. 20).

STÜTZRAD FÜR FRÄSE

Das Stützrad sorgt beim Transport für die erforderliche Bodenfreiheit und stellt daher eine wesentliche Arbeiterleichterung dar (Abb. 21).

ACHTUNG: Bei angelassenem Motor Hände und Füße vom Fräsgehäuse fernhalten, da die Rotation der Messer äußerst gefährlich ist. Vor der Ausführung von irgendwelchen Arbeiten an der Fräse (z. B. Auswechseln der Hackmesser) IMMER DEN MOTOR ABSTELLEN.

SCHLEGELMÄHER

Er ist 68 cm breit, mit Rolle mit schwingenden Y Messern zum Mähen von hohem Gras, Wildkraut und Sträuchern; das Mähgut wird fein zerkleinert; es können auch abgeschnittene Zweige zerkleinert werden; werden anstelle der oszillierender y Messer Grasschneideklingen benutzt, kann auch auf englischem Rasen mit optimalem Resultat gearbeitet werden (Abb. 22). **ACHTUNG: Bei angelassenem Motor Hände und Füße vom Fräsgehäuse fernhalten, da die Rotation der Messer äußerst gefährlich ist. Vor der Ausführung von irgendwelchen Arbeiten an der Fräse (z. B. Auswechseln der Hackmesser) IMMER DEN MOTOR ABSTELLEN.**

Der Schlegelmäher wird an die Gerätekupplung des Einachsschleppers angeschlossen und mit den beiden Muttern befestigt. Der Lenkholm muss um 180° auf die Motorseite gedreht werden; beachten Sie bitte die diesbezüglichen Hinweise im Kapitel über die Montage des Mähbalkens. Zum Einschalten des Schlegelmähers muss die Sicherheitsvorrichtung, welche ein gleichzeitiges Einschalten von Rückwärtsgang und Zapfwelle verhindert (was jedoch für die Fräse erforderlich ist), ausgeschaltet werden. **Dazu einfach die Schraube entfernen, die gegen den Ganghebel drückt, und dadurch die Doppeleinschaltung verhindern (Abb.2)**

SPURERWEITERUNGEN

Sie dienen zur Verbreiterung der Spur und erhöhen daher die Stabilität der Maschine in Schräglage. Die Spurverbreiterungen werden zwischen den Rädern und der Radnabe angebracht und verbreitern die Spur um 6 cm pro Seite (Abb. 23).

METALLGITERRÄDER

Diese Räder werden vor allem beim Einsatz des Einachsschleppers mit Fräse auf besonders harten Böden verwendet.

Die auf dem Radkreis angebrachten Schwellen dringen in den Boden ein, erhöhen also die Bodenhaftung, und verhindern ein Durchrutschen der Räder (Abb. 24).

Die Gitterräder werden auch immer dann verwendet, wenn Gummiräder im eben bearbeiteten und daher lockeren Boden durchrutschen oder versinken könnten. Ihr Gebrauch ist nur in den oben genannten Fällen ratsam. Ansonsten empfehlen wir die Verwendung von Luftreifen, die, sofern keine außergewöhnliche Bodenhaftung erforderlich ist, der Maschine eine gleichmäßigere Zugkraft verleihen und die Aufgabe von Stoßdämpfern zwischen Maschine und Boden übernehmen.

Für diese Räder stehen auch Zwillingssringe zur Verfügung.

VERBREITERUNGEN FÜR VERSTELLBARE RÄDER

Diese innovativen Schrauben- Verbreiterungen sind besonders zum Pflügen zu empfehlen.

Um die Spurweite zu verändern, lösen Sie bitte die beiden durch Federn gehaltenen Schlüssel, lassen Sie den Motor an, legen Sie den ersten Gang ein, blockieren Sie die Differenzialsperre, lassen Sie die Kupplung mit dem Motor auf der niedrigsten Stufe los und die Spurweite wird automatisch gewechselt.

Achtung! Bitte schrauben Sie die Schlüssel nicht vollständig ab. Bringen Sie die Schlüssel mit den dazugehörigen Federn wieder an.

Sie können die Spurweite ebenfalls wechseln, indem Sie die Maschine anheben und von Hand vorgehen (Abb, 25).

HÄUFELKÖRPER HINTER DER FRÄSE

Wird hinter der Fräse montiert, und arbeitet zusammen mit dieser; dient zum Ziehen von Bewässerungs- oder Saarfurchen (Abb. 26). Um das Zubehör anzuschließen die Buchse (Abb. 9) einbauen.

ACHTUNG: Bei angelassenem Motor Hände und Füße vom Fräsgehäuse fernhalten, da die Rotation der Messer äußerst gefährlich ist. Vor der Ausführung von irgendwelchen Arbeiten an der Fräse (z. B. Auswechseln der Hackmesser) IMMER DEN MOTOR ABSTELLEN.

SCHWENKBARES SCHNEESCHILD 125 cm

Dieses Schneeschild dient zum Schneeräumen und zum Planieren von Schotter- oder Erdhaufen, und ist nach links und rechts schwenkbar (Abb. 27). Das Schneeschild wird an die Gerätekupplung des Einachsschleppers angeschlossen und mit den beiden Muttern befestigt. Der Lenkholm muss um 180° auf die Motorseite gedreht werden; beachten Sie bitte die diesbezüglichen Hinweise im Kapitel über die Montage des Mähbalkens.

SCHWENKBARE KEHRMASCHINE 100 cm

Die schwenkbare Kehrmaschine (Abb. 28) kann direkt an die Schnellkupplung angebracht werden, indem man die Anleitungen für die Anbringung des Mähbalkens befolgt. Dieses Werkzeug ist für die Reinigung von Straßen und Plätzen geeignet. Es kann auch benutzt werden, um 10-12 cm hohe Schnee zu schaufeln. Die Kehrmaschine kann nach links oder rechts gesteuert werden, um Schnee-Schwaden zu machen. Der Lenkholm muss um 180° auf die Motorseite gedreht werden; beachten Sie bitte die diesbezüglichen Hinweise im Kapitel über die Montage des Mähbalkens. Zum Einschalten der Kehrmaschine muss die Sicherheitsvorrichtung, welche ein gleichzeitiges Einschalten von Rückwärtsgang und Zapfwelle verhindert (was jedoch für die Fräse erforderlich ist), ausgeschaltet werden. **Dazu einfach die Schraube entfernen, die gegen den Ganghebel drückt, und dadurch die Doppeleinschaltung verhindern (Abb.2)**

Wichtig: Wird die Fräse wieder aufgesetzt, dann ist die Sicherheitsvorrichtung neuerlich zu aktivieren. Der Hersteller lehnt im Falle der Nichtbeachtung dieses Hinweises jegliche Verantwortung ab (Abb. 2 und 2A).

HINWEISE ZUM TRANSPORT

Das Fahren mit dem Einachsschlepper auf öffentlichen Straßen ist verboten. Wird die Maschine in einem LKW oder einem Anhänger befördert, muss der Lenkholm gesenkt, der 1. Gang eingelegt und die Maschine mit Hilfe von Seilen befestigt werden. Stellen Sie sicher, dass ein dem Gewicht des Einachsschleppers angemessener Kran benutzt wird.

MOTOCULTOR G85-G107D

Amable cliente,

dándole las gracias por la confianza y la preferencia otorgada a nuestro motocultor, confiamos en que el uso de esta nueva máquina suya se ajuste plenamente a sus necesidades. Por el uso excelente y por su mantenimiento a través del tiempo, le rogamos lea atentamente y siga escrupulosamente las indicaciones de este libro; esto le permitirá obtener los máximos resultados y proteger su inversión. Le rogamos que guarde este manual, el cual tendrá que acompañar siempre a la máquina.

DESCRIPCIÓN GENERAL Y USO PREVISTO

El motocultor es una máquina agrícola autopropulsada con un solo eje, equipada de fresa para la elaboración del terreno. Estas máquinas se utilizan para preparar el suelo (limpieza de las malezas, fresado superficial) y para pequeñas obras de acabado, entre los árboles y en la horticultura en general. La máquina está constituida por un chasis portante sobre el que se encuentra posicionado el motor de explosión que acciona las ruedas y una toma de fuerza. Esta toma de fuerza es utilizada generalmente con un grupo fresa, además de otros accesorios como quitanieves, barra segadora, trituradora de hierba, pala frontal orientable, arado, barredora, bombas de tratamiento, etc... La máquina es conducida por un operador que sigue los movimientos del motocultor a través de un manillar donde se encuentran los mandos.



**¡ATENCIÓN! Antes de arrancar el motor leer atentamente.
¡Las siguientes advertencias son importantes para su integridad física!**

ADVERTENCIAS CONTRA ACCIDENTES

La prudencia es el arma principal en la prevención de los accidentes. Le rogamos vivamente que lea con atención las advertencias siguientes sobre el uso de la máquina, antes de empezar el trabajo. El uso incorrecto del motocultor y de su equipamiento puede ser perjudicial; para reducir estas posibilidades adoptar las precauciones necesarias que se indican a continuación:

1. Lea este manual en su totalidad, antes de encender y poner en marcha el motocultor. Familiarícese con los comandos y con el correcto uso del motocultor.
2. Preste una atención especial a las prohibiciones y a las etiquetas de seguridad alrededor de la máquina.
3. La rotación de la fresa es muy peligrosa, **no poner nunca las manos o los pies debajo de la fresa.**
4. La máquina sólo debe ser utilizada por personas que hayan leído el manual de instrucciones y que hayan recibido indicaciones técnicas y prácticas para un uso seguro y apropiado del motocultor.
5. Mantener niños, animales y espectadores en general a una distancia de al menos 15 metros y no permitir que se acerquen durante el trabajo.
6. No usar el motocultor cuando esté cansado, si se han tomado alcohol, drogas o medicamentos que afecten a la capacidad de reacción.
7. Revisar siempre integramente el terreno en el que se va a utilizar el motocultor: retirar todos los objetos extraños que pudieran dañar a las cuchillas (p.e. piedras) o ser proyectados hacia arriba por la fresa (p.e. piedras, ramos etc...).
8. **Antes de comenzar el trabajo, ponerse prendas apropiadas de trabajo. Es altamente recomendable llevar calzados de seguridad, gafas o visera de protección, auriculares antiruido o tapones, guantes y pantalones largos. Durante el trabajo, no se debe llevar ropa que se pueda enganchar en los comandos o en la fresa (p.e. pantalones anchos, bufandas etc...).**
9. Las pendientes debe cortarse siempre en sentido transversal y nunca en sentido longitudinal. Hay que prestar especial atención al cambiar el sentido de marcha. Evitar trabajar en pendientes excesivamente inclinadas.

10. Nunca permita que el motocultor sea utilizado por niños o por menores de 16 años.
11. En marcha atrás, el usuario debe prestar atención a la existencia de obstáculos detrás de él. En caso de peligro, abandonar el manillar: la máquina se parará inmediatamente.
12. Es peligroso accionar las palancas bruscamente, con el motor al régimen máximo.
13. Para evitar el peligro de exhalaciones venenosas, el motor de combustión nunca debe ponerse en marcha en recintos cerrados o mal ventilados.
14. **¡Cuidado! La gasolina es altamente inflamable.** Almacenar el combustible en recipientes fabricados específicamente con dicha finalidad. Llene el depósito siempre al aire libre y manteniéndose alejado de chispas o llamas. No fume nunca durante el repostaje. La gasolina debe repostarse antes de arrancar el motor de combustión. No abrir el tapón del depósito ni repostar gasolina con el motor de combustión en marcha o con la máquina caliente. Si se ha derramado gasolina, alejar la máquina del área del derrame hasta que se hayan disipado los vapores de gasolina.
15. Evitar derrames de combustible y tras haber llenado el depósito limpiar cualquier derrame antes de arrancar el motor.
16. Almacenar el combustible en recipientes fabricados específicamente con dicha finalidad.
17. Trabaje sólo con la luz natural o con luz artificial muy buena.

EVITAR LOS USOS INCORRECTOS

18. Nunca utilizar el motocultor Grillo para aplastar o triturar materiales de construcción, material plástico, metálico, raíces, troncos o residuos en general.
19. Nunca utilizar la máquina para transportar personas o animales.

MEDIDAS PREVENTIVAS COMPLEMENTARIAS

20. **No manipular o desactivar los dispositivos de seguridad.**
21. **No hacer ningún tipo de regulación o limpieza con el motor en marcha.**
22. **No hacer controlar la máquina por nadie mientras esté conduciendo con el motor en marcha.**
23. El usuario es siempre responsable de los daños sufridos por terceros, de los accidentes y de los peligros potenciales.
24. Las azadas deformadas o dañadas deberán sustituirse siempre, no repararlas nunca.
25. Se recomienda utilizar exclusivamente repuestos originales Grillo.
26. Antes de comenzar cualquier trabajo con la máquina, comprobar que todos los sistemas contra accidentes, de los cuales la máquina va dotada, funcionan perfectamente. Está rigurosamente prohibido desactivarlos o manipularlos sin autorización.
27. Antes de comenzar a trabajar, controlar que los tornillos y las tuercas de bloqueo de la fresa y de las azadas están bien apretados.
28. El equipamiento de protección (capós, guardabarros, etc.) se mantiene siempre durante el trabajo.
29. No limpiar la fresa con el motor encendido.
30. No usar la máquina con los pies descalzos.
31. No modificar las regulaciones del motor, especialmente la cantidad máxima de revoluciones.
32. Dejar enfriar el motor antes de guardar la máquina en ambientes cerrados.
33. **ATENCIÓN:** Para reducir el peligro de incendio, mantener el motor, el silenciador del escape y los tubos de escape libres de hierba, hojas, polvo, etc..
34. Si fuera necesario vaciar el tanque de combustible, efectuar la operación al aire libre.
35. No correr, sino acompañar a la máquina siempre andando.
36. Al arrancar la máquina, hay que prestar atención a que haya suficiente distancia entre los pies y la fresa.
37. No levantar ni transportar la máquina con el motor de combustión en marcha.
38. **No guarde nunca una máquina con gasolina en el depósito en un lugar cerrado. Los vapores de gasolina que se forman se pueden inflamar al entrar en contacto con fuego o chispas.**
39. Nunca utilizar el motocultor para empujar o arrastrar.
40. Los motocultores Grillo han sido diseñados únicamente para ser utilizados con accesorios originales Grillo o con accesorios de productores autorizados por Grillo S.p.A. No montar accesorios no originales o producidos por constructores no autorizados o modificados sin

autorización de Grillo. Para cualquier duda ponerse siempre en contacto con un revendedor autorizado Grillo o directamente con el Servicio Asistencia Grillo.

Cualquier uso impropio supone la anulación de la garantía y la exoneración de cualquier responsabilidad del fabricante.

¡ATENCIÓN!

En caso de uso continuativo del accesorio, se recomienda el empleo de protecciones contra el ruido. Utilizar tapones o auriculares anti ruido conformes a la normativa vigente (fig. A).



FIG. A

IDENTIFICACIÓN Y ASISTENCIA



IDENTIFICACIÓN

La máquina va dotada de una placa situada sobre el chasis con el número de matrícula. Este número es indispensable para cualquier intervención técnica y para solicitar los recambios.

SERVICIO DE ASISTENCIA

Este manual da las indicaciones para usar el motocultor y para efectuar un mantenimiento básico correcto, que puede realizar el mismo usuario. Para las operaciones que no se describen en este libro, consultarse con el Revendedor de la Zona.

RECAMBIOS

Se aconseja emplear exclusivamente recambios originales, los únicos que ofrecen características de seguridad e intercambiabilidad. Cualquier pedido ha de llevar el número de matrícula. Para los recambios del motor, atenerse a las indicaciones del libro específico.

GARANTÍA

La garantía es ofrecida en los modos y dentro de los límites previstos por la ley en vigor. El revendedor tiene que entregar el certificado de garantía de la máquina al cliente final, imprimiendo una copia de la registración del sitio Internet Grillo. Por lo que respecta el motor, valen las condiciones previstas por los respectivos fabricantes.

COMO SOLICITAR LOS RECAMBIOS

Indicar siempre el número de matrícula de la máquina y la referencia de la pieza que se ha de sustituir.

Dirigirse a nuestros centros de recambios que se encuentran en todas las provincias.

Nuestras señas son:

GRILLO S.p.A.

Via Cervese 1701 - 47521 CESENA (FC) - ITALIA

Tel. 0039 / 0547 / 633111 - Fax 0039 / 0547 / 632011

Web site: www.grillospa.it - E-mail: grillo@grillospa.it

CARACTERÍSTICAS TÉCNICAS G85 - G85D

TIPOS DE MOTOR:

- **EX27** OHV, 265 cc, 8,3 HP (a 3600 rpm), 4 tiempos, monocilíndrico, gasolina.
- **GR300** OHV, 302 cc, 9,3 HP (a 3600 rpm), 4 tiempos, monocilíndrico, gasolina.
- **HONDA GX270** OHV, 270 cc, 8,4 HP (a 3600 rpm), 4 tiempos, monocilíndrico, gasolina.
- **KOHLER KD15 350**, 349 cc, 7,5 HP (a 3600 rpm), 4 tiempos, monocilíndrico, diésel.

Se ofrecen versiones con arranque eléctrico.

MÁQUINA:

Embrague: cónico y activo.

Cambio: de engranajes de 4 marchas de las cuales 2 hacia adelante y 2 marchas atrás en versión motocultor y en versión segadora (girando el manillar).

Las velocidades de avance en km/h con motor a 3600 r.p.m. son las siguientes:

MARCHA	VELOCIDAD CON RUEDAS 4.00-8
1a	1,1
2a	2,6
1a ATRAS	1,1
2a ATRAS	2,6

Toma de fuerza: de 965 vueltas independientes del cambio con motor a 3600 r.p.m.

Ruedas: 4.00-8 - 4.00-10 - 5.00-10.

Fresa: estándar 58 cm regulable a 37-47-68 cm.

Manillar: regulable en altura y lateralmente en varias posiciones, reversible.

Vía, medida en la parte exterior de las ruedas: con ruedas neumáticas 4.00-8: 42 cm.; con ruedas de hierro: 36-44 cm.

Equipos y accesorios: fresa, doble fresa, barra segadora, quitanieves, arado, asurcador, cortacésped, cortahierba, bomba de riego, bomba de rociado, remolque arrastrado, rueda de fresa, tiro de remolque, contrapesos, ruedas de hierro, binadera, carro contenedor, rastrilladora, pala frontal, biotriturador, barredora.

CARACTERÍSTICAS TÉCNICAS 107D

TIPOS DE MOTOR:

- **EX27** OHV, 265 cc, 8,3 HP (a 3600 rpm), 4 tiempos, monocilíndrico, gasolina.
- **GR300** OHV, 302 cc, 9,3 HP (a 3600 rpm), 4 tiempos, monocilíndrico, gasolina.
- **HONDA GX270** OHV, 270 cc, 8,4 HP (a 3600 rpm), 4 tiempos, monocilíndrico, gasolina.
- **KOHLER KD15 440**, 441 cc, 11 HP (a 3600 rpm), 4 tiempos, monocilíndrico, diésel.

Se ofrecen versiones con arranque eléctrico.

MÁQUINA:

Embrague: cónico y activo.

Cambio: de engranajes de 6 velocidades de las cuales 3 hacia adelante y 3 marchas atrás en versión motocultor y en versión segadora (girando el manillar).

Las velocidades de avance en km/h con motor a 3600 r.p.m. son las siguientes:

MARCHA	VELOCIDAD RUEDAS 4.00-10
1a	1,2
2a	2,2
3a	3,3
1a ATRAS	1,2
2a ATRAS	2,2
3a ATRAS	3,3

Toma de fuerza: de 965 vueltas independientes del cambio con motor a 3600 r.p.m.

Ruedas: 4.00-8 - 4.00-10 - 5.00-10.

Fresa: estándar 58 cm regulable a 37-47-68 cm.

Manillar: regulable en altura y lateralmente en varias posiciones, reversible.

Vía, medida en la parte exterior de las ruedas, con ruedas neumáticas 4.00-8: 42 cm.; con ruedas de hierro: 36-44 cm.

Equipos y accesorios: fresa, doble fresa, barra segadora, quitanieves, arado, asurcador, cortacésped, cortahierba, bomba de riego, bomba de rociado, remolque arrastrado, rueda de fresa, tiro de remolque, barril bajo manquera, contrapesos, ruedas de hierro, binadera, carro contenedor, rastrilladora, pala frontal, biotriturador, barredora.

PUESTA EN SERVICIO DE LA MÁQUINA

1. Controlar que la máquina esté íntegra constatando que no haya sufrido daños durante el transporte.
2. Sacar el motocultor del embalaje prestando atención a no dañar palancas y cables. Utilizar un medio elevador adecuado (capacidad mínima: 200 kg). Antes de apoyar el motocultor al suelo, montar los neumáticos apretando bien las tuercas de fijación (fig.3, n.8).
3. Para optimizar el embalaje, el motocultor se entrega con el manillar colocado en posición motosegadora (encima del motor). Para posicionarlo en versión motocultor, presionar la palanca (fig.3A, n.12) y girar el manillar en sentido antihorario 180°, con cuidado y prestando atención a no forzar el mecanismo de inversión y a no aplastar los cables. Luego, insertar las palancas de mando de las marchas y de la toma de fuerza dentro de los soportes inferiores (G 85- G 85D: ver fig.3A; G 107D: ver fig. 3B).
4. Antes de montar el accesorio, llenar de grasa el rebordeado de la toma de fuerza de la máquina. Montar el accesorio (por ej. fresa, arado, etc.) y ajustar fuertemente las tuercas de fijación (fig. 4A, n.20).
5. Cargar el aceite motor ateniéndose al manual de instrucciones adjunto.
6. Controlar el aceite de la caja de cambio – fig.6 (tipo MP 80W 90, correspondencia internacional API GL5, US MIL-L-2105D) con una cantidad de 2,2 litros para G85 y 1,9 litros para G85D y G107D).
7. Colocar el aceite en el filtro de aire en baño de aceite (en caso de versiones con este tipo de filtro) utilizando el mismo tipo de aceite que el del motor (fig.7A).
8. Controlar la presión de los neumáticos (consultar tabla):

PRESIÓN NEUMÁTICOS		
4.00-8	2 PLY RATING	1,1 BAR
4.00-10	2 “ “	1,1 “
5.00-10	2 “ “	1,5 “

9. En caso de versiones con encendido eléctrico controlar el voltaje de la batería, que no debe resultar inferior al valor de 12 voltios; de lo contrario proceder a su carga A 12,5 voltios en carga lenta por 2 horas.

¡IMPORTANTE! Durante el montaje, evitar la inversión de polos de la batería.

10. Llenar el tanque de combustible sirviéndose de un embudo dotado de filtro muy fino.

11. Los controles de los niveles de líquido deben ser efectuados con la máquina en posición horizontal.

INSTRUCCIONES DE USO

Antes de arrancar el motor controlar siempre:

- Los niveles del aceite en el motor (fig.5, rif. A) y en la caja del cambio; el tapón de nivel va colocado en la tapa superior (fig.6); el aceite ha de llegar a la posición que está entre las dos líneas.
- Que todos los tornillos y tuercas están bien apretados, sobre todo los de fijación de las azadas y de los equipos al motocultor.
- Que todas las palancas están en posición de punto muerto.
- Que el filtro de aire (vers. en seco) está bien limpio (fig.7). ¡Atención! No soplar el cartucho con aire comprimido; si se encuentra atascado ha de sustituirse.
- Que el filtro del aire (vers. en baño de aceite) está bien limpio y el aceite a su nivel (fig. 7A).
- Controlar el nivel del aceite del cárter de la fresa (fig. 4D n. 3).
- Llenar el depósito de combustible utilizando un embudo dotado de filtro muy fino.

ARRANQUE DEL MOTOR GASOLINA

Abrir el grifo del combustible (fig.4B, n.21), empujar hasta mitad del recorrido la palanca de mando del gas (fig.3, n.14) y, si el motor está frío, accionar el dispositivo de estarter (fig.4B, n.18).

- Motor con arranque de tiro: tirar enérgicamente de la empuñadura del autoenrollador (fig. 4B, n. 6).
- Motor con arranque eléctrico: girar la llave de encendido colocada sobre el motor.

ARRANQUE DEL MOTOR DIESEL

Empujar hasta mitad del recorrido la palanca de mando del gas (fig.3, n.14). Asegurarse que el interruptor de paro (fig.3, n.25) está posicionado hacia arriba.

- Motor con arranque de tiro: tirar con fuerza de la empuñadura del autoenvolvente (fig.4B, n.6)
- Motor con arranque eléctrico: girar en sentido horario la llave de arranque colocada sobre el manillar (fig.4C, n. 26).

ARRANQUE DE LA MÁQUINA

Para los modelos G85 – G85D asegurarse que la palanca de la marcha atrás (fig.3A, n.2) se encuentre en la posición de marcha adelante .

- Escoger la marcha deseada por medio de la palanca (fig.3A, n.15). Si no se engrana inmediatamente no forzar la palanca sino pisar ligera y frecuentemente el embrague y acompañar a la palanca hasta insertar la marcha por completo.
- La máquina se pone en movimiento tras empujar el botón de seguridad gris (fig.3A, n.27) y empujando hacia abajo la palanca roja del embrague (fig.3A, n.1).

Abandonando la palanca roja (fig.3A, n.1) esta retorna en la posición vertical: la máquina se detiene pero el motor permanece en marcha.

COMIENZO DEL TRABAJO (máquina en versión motocultor)

Para activar la fresa, empujar hacia adelante la palanca de la toma de fuerza (fig.3A, n.13) hasta escuchar el clic del acople. Activar la toma de fuerza accionando varias veces pero ligeramente el embrague si no se acopla inmediatamente.

¡ATENCIÓN! cuando la fresa está activa, no poner nunca las manos o los pies debajo del capó ni levantar su puerta frontal: para asegurar un empleo seguro del accesorio, la puerta del capó de la fresa debe ser siempre mantenida adherente al suelo.

NOTA: para evitar problemas en el embrague durante el trabajo, la palanca roja debe mantenerse bien presionada.

¡Atención! No trabajar con la palanca parcialmente presionada.

Para desactivar la fresa, tirare de la palanca de la toma de fuerza hacia usted (fig.3A, n.13).

MARCHA ATRÁS MODELOS G85 – G85d (máquina en versión motocultor)

Para engranar la marcha atrás con el modelo G85 - G85d en versión motocultor hay que presionar la palanca (fig. 3A, n.2). Si la marcha atrás no se engrana inmediatamente, pisar ligera y frecuentemente el embrague y acompañar a la palanca hasta insertar la marcha por completo.

¡Atención! antes de presionar la palanca roja del embrague para poner la máquina en movimiento controlar siempre la marcha insertada – si hacia adelante o hacia atrás (ver etiqueta – fig. 1).

MARCHA ATRÁS MODELOS G107d

Para engranar la marcha atrás con el modelo G107d hay que presionar la palanca (fig.3B, n.2).

¡Atención! Para evitar dañar los engranajes de la caja del cambio, primero hay que presionar la palanca de la marcha atrás y luego la palanca roja del embrague.

¡Atención! en todos los motocultores Grillo, para razones de seguridad, no es posible fresar en marcha atrás. Antes de poner la marcha atrás, siempre hay que desactivar la toma de fuerza. CUANDO SE UTILICE LA MÁQUINA EN VERSIÓN MOTOCULTOR, ASEGURARSE QUE EL TORNILLO DE SEGURIDAD SE ENCUENTRE EN LA POSICIÓN INDICADA EN FIG.2A.

EN CASO DE PELIGRO, ABANDONAR LA PALANCA ROJA DEL EMBRAGUE (fig. 3A - 3B, n.1): LA MÁQUINA Y LA FRESA SE DETENDRÁN DE INMEDIATO.

REGULACIÓN DEL MANILLAR

Para regular la altura del manillar, desbloquear la palanca (fig. 3A, n.10), subir o bajar el manillar y soltar la palanca para bloquear el manillar en la posición deseada. Para regular lateralmente el manillar, apretar la palanca (fig. 3A, n.12), girar el manillar hacia la derecha o hacia la izquierda y abandonar la palanca para bloquear el manillar en la posición deseada.

BLOQUEO Y DESBLOQUEO DEL DIFERENCIAL

El eje de las ruedas del modelo Grillo G85 es fijo es decir sin diferencial. Los modelos G85d y G107d están equipadas con diferencial sobre el eje de las ruedas. Por medio de la palanca en T, colocada a mano derecha sobre el manillar (fig. 3A - 3B, n.22) el operador puede bloquear (palanca hacia atrás) o desbloquear (palanca hacia adelante) el diferencial. Normalmente hay que trabajar con el diferencial desbloqueado (palanca fig. 3A, n.22 hacia adelante) para aumentar la maniobrabilidad y para facilitar los cambios de dirección. Para mejorar la tracción cuando se trabaje en terrenos con poca adherencia, se recomienda bloquear el diferencial (palanca fig. 3A, n. 22 hacia atrás).

PARO DEL MOTOR GASOLINA

Llevar la manecilla del acelerador en posición "0" (fig. 3A, n.24). **¡ATENCIÓN!** para máquinas con arranque eléctrico, tras apagar el motor, llevar la llave de encendido a la posición OFF (fig. 4C, n. 269. Si la llave quedara en posición de arranque con motor apagado, la batería podría descargarse por completo.

PARO DEL MOTOR DIESEL

Empujar por completo la palanca de paro colocada sobre el manillar a mano izquierda (fig. 3A - 3B, n.25). **ATENCIÓN:** en las máquinas equipadas con arranque eléctrico, después de apagar el motor, girar la llave de arranque en sentido antihorario para desconectar la batería (ver fig. 4C, n. 26). Si la llave quedara en posición de arranque con motor apagado, la batería podría descargarse por completo.

FIN DEL TRABAJO

Una vez terminado el trabajo, parar el motor, retirar la llave de encendido (para versiones con arranque eléctrico), colocar la palanca de velocidades en punto muerto y desconectar la toma de fuerza. Cuando el cambio se encuentra en posición de punto muerto (indicada por la letra F) es posible desplazar la máquina manualmente.

ATENCIÓN: nunca dejar la máquina en pendientes con el cambio en posición de punto muerto. Al ser necesario, siempre meter la primera marcha.

ATENCIÓN: nunca dejar la máquina sin supervisión y/o al alcance de niños o de personas que no hayan leído el presente manual o que no hayan recibido adecuadas instrucciones para un uso seguro y apropiado del motocultor.

POSIBLES INCONVENIENTES Y SUS REMEDIOS

A continuación damos una lista de los pequeños inconvenientes que pueden producirse al utilizar un motocultor y que el cliente puede remediar directamente:

- 1) El motor no arranca (**motor gasolina**) efectuar por este orden los controles siguientes:
 - que el depósito de la gasolina está lleno hasta la mitad por lo menos;
 - que el grifo de la gasolina está abierto;
 - que el estarter está accionado (si el motor está frío);
 - que la gasolina llega al combustible;
 - que el respiradero del tapón del depósito no está obstruido;
 - que el filtro de red a la entrada del carburador está limpio;
 - que los surtidores del carburador están limpios. Para controlarlos, desenroscarlos y si están sucios, limpiarlos con un chorro de aire;
 - que la bujía da la chispa. Para efectuar este control, desmontar la bujía, volverla a conectar al cable que le lleva la corriente, apoyar la parte metálica a masa, y hacer que la polea del motor gire como si tuviera que arrancarlo. Si no se produce la chispa entre los dos electrodos, controlar las conexiones del cable de la bujía y si la corriente sigue sin llegar, sustituir la bujía. Si esta última sustitución tampoco da buenos resultados, la avería se deberá localizar en la instalación eléctrica, en el condensador, o en la bobina o en cualquier otro órgano, y conviene dirigirse al centro de asistencia más cercano o a un taller especializado.

- 2) El motor no arranca (**motor diesel**) efectuar por este orden los controles siguientes:
 - que el respiradero del tapón del depósito no está obstruido;
 - que el depósito del **gasóleo** está por lo menos lleno hasta la mitad.

- 3) Si el motor está en marcha pero la máquina no avanza:
 - asegurarse que la velocidad está bien metida.
 - verificar que la palanca roja del embrague está presionada por completo y que el resorte (fig.8) está presionado también. Al no ser así, regular el embrague por medio del registro puesto en el cable del embrague (fig. 3A, n.17).

- 4) Si el motor (**motor gasolina**) no se apaga:
 - asegurarse que la manilla del acelerador (fig.3, n.24) se encuentra en la posición 0 (completamente cerrada).
 - asegurarse que el cable eléctrico del paro motor está correctamente conectado a la manilla del acelerador y al conector sobre el motor.

- 5) Si el motor (**motor diesel**) no se apaga:
 - asegurarse que la manilla de paro motor diesel, colocada a mano izquierda del manillar (fig.3A, n.25) está presionado por completo hacia abajo.

ALMACENAMIENTO DURANTE PERIODOS DE LARGA INACTIVIDAD

Si la máquina no va a ser utilizada durante un largo periodo de tiempo, se deberán adoptar las siguientes precauciones:

- vaciar el depósito
- lavar esmeradamente el motor y la máquina

MANTENIMIENTO Y LUBRICACIÓN

¡ATENCIÓN!

- **Desconectar la bujía antes de iniciar cualquier operación de limpieza, mantenimiento o reparación. Llevar indumentaria apropiada y guantes de trabajo.**
- **Si fuera necesario levantar la máquina o parte de esa, utilizar siempre herramienta adecuada como soportes o ganchos de seguridad.**
- **No dejar la máquina en mantenimiento, sin dispositivos de seguridad o levantada en lugares accesibles a personas inexpertas, especialmente niños.**
- **Nunca desechar en el medio ambiente el aceite usado, la gasolina o cualquier otro producto contaminante.**
- **Un mantenimiento eficaz y una correcta lubricación contribuyen a mantener la máquina en perfectas condiciones.**

RODAJE

Pasadas las primeras 20 horas de trabajo sustituir el aceite del motor.

MOTOR

Para los intervalos de lubricación seguir las normas contenidas en el libro del motor. En general conviene controlar el nivel del aceite cada 8 horas de trabajo y sustituirlo cada 100 horas. Emplear siempre aceite **15W40**. Para el filtro de aire controlar el nivel cada 8 horas, o incluso más frecuentemente si el ambiente es muy polvoriento. Para restablecer el nivel utilizar el mismo aceite del motor (véase libro del motor). Para las versiones con filtro en seco, cambiar el cartucho si se encuentra atascado (no use chorros de aire para limpiarlo).

CAJA DEL CAMBIO

Controlar el nivel del aceite cada 50 horas de trabajo quitando el tapón y controlando que, con la máquina horizontal, el aceite llega a la posición situada entre los dos bordes. De ser necesario, añadir aceite **MP 80 W/90 (API GL5 US MIL-L-2105D)**. Cambiar el aceite una vez al año.

FRESA

Controlar el nivel del aceite cada 100 horas, desenroscar el tapón; el aceite ha de llenar casi el cárter de la fresa. De ser necesario añadir el mismo aceite del cambio (fig. 4D, n. 3).

REGLAS UTILES PARA UN BUEN USO:

1. Soltar siempre la palanca roja del embrague (fig. 3A, n.1) cuando se pasa de las marchas hacia adelante a las marchas atrás y viceversa.
2. Soltar siempre la palanca roja del embrague (fig. 3A, n.1) antes de activar la toma de fuerza.
3. No dejar nunca la máquina a la intemperie.
4. Mantener siempre limpios los cables y las palancas.
5. Nunca forzar la palanca de la marcha atrás: si no engrana asegurarse que la palanca de la toma de fuerza (fig. 3A, n.13) está desconectada.
6. No forzar nunca el motor; cuando sale humo por el escape, está bajo esfuerzo: ¡reduce la velocidad!
7. Se pueden labrar también terrenos imposibles; pero antes es necesario calentar bien el motor y hacer un buen rodaje a la máquina.
8. Controlar a menudo la presión de los neumáticos.
9. Al montar el equipo (ej.: la fresa), tratar de no estropear el centrado de aluminio de la caja de cambios de la máquina (ver fig. 4F).

MANTENIMIENTO DE FIN DE TEMPORADA

Lavar la máquina con cuidado; sustituir el aceite tanto en el motor como en el cárter del cambio y de la fresa, limpiar el filtro de aire. Afilar las azadas y engrasarlas; si están gastadas: cambiarlas.

ATENCIÓN: las azadas son de acero especial, tratado termicamente: si dañadas o con fisuras, nunca soldarlas sino remplazarlas. Podrían romperse y ser lanzadas causando graves daños a cosas y/o personas.

TABLA RECAPITULATIVA DE MANTENIMIENTO						
INTERVENTOS		CADA 8 HORAS	PRIMERAS 20 HORAS	CADA 50 HORAS	CADA 100 HORAS	CADA 200 HORAS
Aceite motor	Controlar el nivel	•				
	Sustituir		•		•	
Filtro aire	Controlar	•				
	Sustituir				*	
Bujía	Controlar/registrar				•	
	Sustituir					•
Aceite caja de cambios	Controlar el nivel	•		•		
	Sustituir					•
Controlen que la rejilla de aspiración motor sea limpia		•				
Barra segadora	Controlar empalme cuchilla		•	•		
	Lubricar	•				
Controlar afilado y fijación azadas			•	•		
Lubricar con grasa		•				
Controlar el juego del embrague			•	•		

• intervención recomendada

* intervenir si necesario

EQUIPOS

FRESA

La fresa sirve para romper la capa superficial del terreno con objeto de aumentar la permeabilidad y al mismo tiempo para despejarlo de las malas hierbas. El fresado puede realizarse en primera velocidad si el terreno es duro y tenaz o en segunda si el terreno es suelto y arenoso.

La profundidad de fresado puede variarse levantando o bajando la cuchilla central situada bajo el cuerpo de la fresa. Para aumentar la profundidad hay que desplazar la cuchilla hacia arriba. Conviene comenzar el trabajo con la cuchilla en la posición más baja y luego levantar-la si se desea obtener más profundidad (fig. 4E).

NOTA: En los terrenos duros, si la máquina tiende a saltar hacia adelante, bajar al máximo la cuchilla fijándola en el tercer orificio (fig. 4E). Controlar que el montaje en las cuchillas sea correcto.

ATENCIÓN: en versión "motocultor", no es posible accionar la palanca de la marcha atrás, si la toma de fuerza está activa. El sistema de seguridad tiene que ser posicionado como se muestra en fig. 2A. No alterar el sistema de seguridad por ninguna razón.

ATENCIÓN: nunca poner las manos o los pies debajo del capó de la fresa a motor encendido. La rotación de la fresa es sumamente peligrosa. Antes de efectuar cualquier operación (sustitución de una cuchilla etc..) APAGAR SIEMPRE EL MOTOR.

ASURCADOR REGULABLE

El asurcador regulable es una herramienta estudiada especialmente para efectuar surcos de sembrado o de riego. Se aplica como los arados y la fresa en la brida de empalme de los equipos situada en la parte trasera de la caja del cambio.

La posibilidad de variar la posición de las dos alas permite regular la anchura del surco de un mínimo de 10 a un máximo de 30 cm.

La profundidad que puede obtenerse puede variar de 10 a 20 cm. De tener que trabajar en terrenos muy duros conviene efectuar antes una operación de fresado y luego pasar al trabajo con el asurcador. Las prestaciones que pueden obtenerse pueden aumentarse montando las ruedas neumáticas 5.00-12 y de ser necesario los contrapesos que aumentan la adherencia (fig. 10).

BARRA SEGADORA

La barra segadora aplicable al motocultor posee un accionamiento central. La construcción robusta y el gran rendimiento la convierte en el medio ideal para segar pequeñas parcelas de terreno donde no se justifique la compra de una segadora mecánica, que no se utilizaría gran parte del año, mientras que el motocultor puede utilizarse con otros equipos. La barra va montada en el empalme de los equipos del motocultor, en lugar de la fresa, y va fijada con las mismas dos tuercas. El manillar se girará 180° colocándolo por la parte del motor. Antes de girar el manillar el cambio se colocará en 1ª, luego se desengancharán las palancas de mando de las velocidades y de la toma de fuerza.

Una vez girado el manillar las varillas se han de volver a colocar en los soportes superiores.

Habiendo girado el manillar el mecanismo del soporte de la mancera permite aprovechar todas las marchas como en la versión motocultor.

Para activar el movimiento de la cuchilla habrá que desactivar el dispositivo de seguridad que impide que se engranen simultáneamente la marcha atrás y la toma de fuerza (en cambio es necesario para el uso de la fresa). Para ello basta con quitar el tornillo que hace de contraste contra la palanca de la toma de fuerza impidiendo la doble activación (fig.2).

Importante: si vuelve a montar la fresa es obligatorio restablecer las condiciones iniciales del dispositivo de seguridad. El fabricante no se asume ninguna responsabilidad por el incumplimiento de esta norma (fig. 2 y fig. 2/A).

Mantenimiento: engrasar cada 8 horas de trabajo los pernos de la cruceta a través del engrasador situado en la manilla oscilante. Engrasar cada 50 horas de trabajo también el casquillo de oscilación de la barra, a través del engrasador situado bajo la protección oscilante.

Mantener regulada la cuchilla regulando oportunamente los prensacuchillas que no han de bloquear la cuchilla pero tampoco permitir una holgura excesiva respecto a las chapitas de los dientes. Para efectuar el reglaje de los prensacuchillas para los dos tipos, se aflojan los tornillos

de bloqueo (fig. 12) y se regula el tornillo de presión. Cuando los prensacuchillas están consumidos, conviene sustituirlos cuando aún puedan prensar. Regular la holgura entre la cuchilla y la tira de consumo aflojando los tornillos que fijan los prensatiras y desplazando hacia adelante la tira hasta que se apoye contra la varilla que lleva clavadas las secciones de la cuchilla. Bloquear otra vez los prensatiras. Para desmontar la cuchilla quitar el empalme de la cuchilla L desmontando los dos tornillos (fig. 13 n. 3) y extraer la cuchilla. Tras haber montado la cuchilla, tratar de apretar bien los tornillos de fijación del empalme. Utilizar siempre cuchillas bien afiladas: la máquina sufrirá menos esfuerzos y durará más. Tras cada jornada de trabajo lavar la barra segadora quitándole cualquier residuo de hierba o tierra; controlar de vez en cuando que todos los tornillos están bien apretados.

QUITANIEVES

Este equipo (fig. 14) estudiado expresamente para este motocultor, es sumamente útil para despejar la nieve de las explanadas, accesos de garaje, etc. Está compuesto de una fresa turbina, encerrada en un cárter abierto por delante, que girando a gran régimen de rotación recoge la nieve y la expulsa a través de un tubo de lanzamiento de inclinación regulable. La nieve puede lanzarse así hasta una distancia de 8-10 m. en la dirección deseada (a la derecha o a la izquierda o hacia adelante con todas las posiciones intermedias). El quitanieves se monta en la brida de empalme de los equipos y se fija con las dos tuercas. El manillar se girará 180° colocándolo por la parte del motor; para ello seguir las instrucciones dadas para el montaje de la barra segadora. Para que el quitanieves gire habrá que desactivar el dispositivo de seguridad que impide que se activen simultáneamente la marcha atrás y la toma de fuerza (en cambio, necesario para usar la fresa). **Para ello basta con quitar el tornillo que hace de contraste contra la palanca de la toma de fuerza impidiendo la doble activación (fig.2).**

Importante: si se vuelve a montar la fresa es obligatorio restablecer las condiciones iniciales del dispositivo de seguridad. El fabricante no se asume ninguna responsabilidad por el incumplimiento de esta norma (fig. 2 y fig. 2/A).

El quitanieves tiene 70 cm de ancho y tiene capacidad para despejar la nieve hasta una altura máxima de 40 cm. Para obtener buenas prestaciones se aconseja montar los contrapesos o las cadenas. Si la nieve estuviera muy mojada conviene mantener la boca de lanzamiento dirigida hacia delante para evitar atascos en la salida. Las dos pequeñas correderas laterales se regularán para que roce ligeramente el terreno, si éste es bien plano (calles asfaltadas), o para mantener alto el quitanieves si el terreno es accidentado.

Mantenimiento: una vez terminado el trabajo conviene siempre quitar la nieve que se ha quedado en el quitanieves para evitar que, al helarse, bloquee el rotor de la turbina. **No limpie la herramienta con el motor en marcha. Cuidado: ¡peligro! No toque la parte en movimiento del quitanieves por ninguna razón.**

ATENCIÓN:

Al montar los equipos en la brida de acoplamiento de los equipos hacer coincidir perfectamente la brida de la máquina con la del equipo, para mantener un centrado perfecto. Las tuercas de los dos prisioneros han de acercarse a mano hasta el final de su recorrido y luego apretarse con una llave de manera que aprieten simultáneamente la brida (fig. 4F).

ARADOS

Los arados (fig. 15) estudiados para el motocultor se han puesto a punto especialmente para realizar trabajos de arado sin que el operador se canse excesivamente. Se ofrecen dos tipos: monosurco o giratorio de 180°. Este último es muy indicado cuando se hayan de efectuar trabajos en las dos direcciones, como recalces de hileras de viñas o vergeles. La profundidad del surco que puede obtenerse puede variar de 10 a 15 cm según el terreno.

Podemos obtener optimas prestaciones montando ruedas neumáticas 5.00-12; eventualmente montando también los contrapesos que aumentan la adherencia.

DESBROZADORA

La desbrozadora de cuchilla rotativa cm 75 para el motocultor (fig. 16) se ha estudiado para mantener los terrenos con hierbas altas. La gran potencia disponible, las ruedas motrices, la velocidad de trabajo y el mecanismo de inversión, permiten trabajar en las condiciones más difíciles sin que se canse el operador y con notable ahorro de tiempo.

La desbrozadora se aplica al empalme de los equipos del motocultor y se fija con las dos tuercas. Se suministra con los trineos laterales para los trabajos más duros o con las ruedas de apoyo anteriores para hierba baja y terrenos nivelados.

El manillar se girará 180° colocándolo por la parte del motor; para ello seguir las instrucciones dadas para el montaje de la barra segadora. Para que la desbrozadora gire habría que desactivar el dispositivo de seguridad que impide que se activen simultáneamente la marcha atrás y la toma de fuerza (en cambio, necesario para usar la fresa). **Para ello basta con quitar el tornillo que hace de contraste contra la palanca de la toma de fuerza impidiendo la doble activación (fig.2).**

Importante: si se vuelve a montar la fresa es obligatorio restablecer las condiciones iniciales del dispositivo de seguridad. El fabricante no se asume ninguna responsabilidad por el incumplimiento de esta norma (fig. 2 y fig. 2/A).

La transmisión del movimiento a la cuchilla se obtiene con una pareja de engranajes cónicos. La cuchilla lleva un disparo libre y freno de lama de manera que con su inercia no arrastre la máquina cuando se accione el embrague. La regulación de la altura de corte se efectúa moviendo la posición de la rueda delantera de la desbrozadora o regulando los trineos laterales.

Mantenimiento: mantener la cuchilla de la desbrozadora siempre bien afilada: el corte será mejor y el motor se forzará menos. Desmontando y montando la cuchilla apretar siempre a fondo los dos tornillos de fijación. Comprobar frecuentemente también el apriete de las dos tuercas que fijan la desbrozadora a la máquina. Controlar cada 50 horas de trabajo el nivel del aceite en la caja de los engranajes quitando el tapón situado en la parte superior de la caja y comprobar que el nivel del aceite llega al menos a 50 mm. del borde del orificio; si el nivel fuera más bajo añadir aceite de cambios **80W/90** (API GL5 US MIL-L-2105D). Cambiar el aceite una vez al año.

ATENCIÓN: las azadas son de acero especial, tratado termicamente: si dañadas o con fisuras, nunca soldarlas sino remplazarlas. Podrían romperse y ser lanzadas causando graves daños a cosas y/o personas.

REMOLQUE

El remolque construido para el motocultor es un accesorio muy útil para efectuar pequeños transportes. Su maniobrabilidad, las dimensiones ajustadas y la rápida aplicación al motocultor representan sus características más destacables. El remolque puede aplicarse directamente al motocultor dejando montada la fresa y conectando al empalme de remolque específico (fig. 17).

Capacidad máxima: 300 kg sobre terreno plano. **No utilizar el remolque en pendientes superiores al 5%. No transportar personas. El remolque no puede ser utilizado para circular por carretera.**

CONTRAPESOS PARA RUEDAS

Los contrapesos se montan en las llantas de las ruedas y se fijan con dos de las cuatro tuercas que fijan las ruedas en cuestión. Sirven para aumentar el peso de la máquina y por tanto la adherencia; se aconsejan en los trabajos con arado, con asurcador regulable y de ser necesario con fresa o remolque si se desean obtener prestaciones máximas (fig. 18).

ENGANCHE RÁPIDO

El enganche rápido se ha estudiado para poder aplicar fácilmente los accesorios a la máquina; sin ningún tipo de llaves, simplemente tirando de la palanca se extrae el equipo. Este accesorio está formado de dos piezas, una fijada a la máquina y la otra al equipo. Así pues, aconsejamos comprar 1 sola pieza para la máquina y otra para cada accesorio (fig. 19). Lubrificar con grasa cada 50 horas. El enganche es de dos tipos: de 50 mm o de 60 mm.

ATENCIÓN : nunca utilizar la fresa con el enganche rápido: la distancia de seguridad entre los pies y el accesorio no sería respetada.

ENGANCHE DE TIRO

El enganche de tiro sirve para acoplar al motocultor el carro de traslado o el remolque, sin desmontar la fresa. Este empalme se fija al gancho de remolcado del motocultor (fig. 20).

RUEDA TRASLADO FRESA

Es muy útil en los desplazamientos de la máquina porque manteniendo levantada la fresa del terreno hace más fácil y menos cansado su traslado (fig. 21).

ATENCIÓN: nunca poner las manos o los pies debajo del capó de la fresa a motor encendido. La rotación de la fresa es sumamente peligrosa. Antes de montar o desmontar la rueda APAGAR SIEMPRE EL MOTOR.

DESBROZADORA DE MARTILLOS

Mide 68 cm y funciona con rodillos de azadas en Y oscilantes. Puede cortar hierbas altas, balsa de cañas y pequeñas matas. El producto cortado se desmenuza finamente y también puede triturar pequeñas ramas de podadura. Si se usa con las cuchillas corta-hierba en lugar de las azadas en Y realiza un excelente trabajo incluso en el prado inglés (fig. 22). **¡ Cuidado! La rotación del rodillo corta-hierba es muy peligrosa. No meta manos ni pies debajo de la trituradora de hierba. No limpie la herramienta con el motor en marcha.**

La desbrozadora se aplica al motocultor por medio del enganche rápido en la brida de empalme de los equipos. El manillar se girará 180° colocándolo por la parte del motor; para ello seguir las instrucciones dadas para el montaje de la barra segadora. Para que la desbrozadora gire habrá que desactivar el dispositivo de seguridad que impide que se activen simultáneamente la marcha atrás y la toma de fuerza (en cambio, necesario para usar la fresa). **Para ello basta con quitar el tornillo que hace de contraste contra la palanca de la toma de fuerza impidiendo la doble activación (fig.2).**

Importante: si se vuelve a montar la fresa es obligatorio restablecer las condiciones iniciales del dispositivo de seguridad. El fabricante no se asume ninguna responsabilidad por el incumplimiento de esta norma (fig. 2 y fig. 2/A).

SEPARADORES DE RUEDAS

Sirven para ensanchar la vía y aumentan la estabilidad de la máquina en las pendientes transversales. Se montan entre las ruedas y los bujes porta ruedas y ensanchan la vía 6 cm por cada parte (fig. 23).

RUEDAS DE HIERRO

Estas ruedas se usan sobre todo al utilizar el motocultor con fresa en terrenos muy duros. De hecho, las traviesas situadas en la circunferencia de las ruedas penetran en el terreno realizando un buen anclaje de la máquina al suelo e impidiendo que las ruedas patinen (fig. 24) . Las ruedas de hierro se usan también cuando las otras ruedas de caucho podrían patinar o hundirse en terrenos blandos o suaves porque recién labrados. Conviene usar ruedas de hierro sólo en estos casos. En los demás casos suele aconsejarse usar ruedas neumáticas que, donde no se necesiten prestaciones de adherencia exageradas, dan a la máquina una tracción más regular y hacen de rodamiento elástico entre ésta y el terreno. También se ofrecen unos anillos gemelos que se han de acoplar a dichas ruedas.

SEPARADORES REGULABLES PARA RUEDAS

Estos innovadores separadores de husillo se aconsejan sobre todo para el arado. Para modificar la calzada, desbloquear las dos llaves fijadas con resortes, arrancar la máquina, engranar la primera velocidad, bloquear el diferencial, soltar el embrague con el motor en régimen mínimo. La calzada se modifica automáticamente. Tener cuidado con no desenroscar-los completamente. Colocar nuevamente las llaves y los resortes. La calzada se puede modificar también manualmente, levantando la máquina (fig. 25).

SURCADOR RETROFRESA

Se aplica posteriormente a la fresa y trabaja conjuntamente con esta. Sirve para trazar surcos de riego o siembra (fig. 26). **Para el acoplamiento montar el casquillo (fig. 9).**

ATENCIÓN: nunca poner las manos o los pies debajo del capó de la fresa a motor encendido. La rotación de la fresa es sumamente peligrosa. Antes de montar o desmontar el surcador APAGAR SIEMPRE EL MOTOR.

PALA FRONTAL ORIENTABLE 125 cm

Su resistencia la convierte en el medio ideal para quitar la nieve y aplanar cúmulos de grava o tierra; se puede inclinar hacia la derecha o la izquierda (fig. 27). La pala frontal se aplica por medio del enganche rápido en la brida de empalme de los equipos. El manillar se girará 180° colocándolo por la parte del motor; para ello seguir las instrucciones dadas para el montaje de la barra segadora.

BARREDORA ORIENTABLE 100 cm

La barredora orientable (fig. 28) se aplica al enganche accesorios del motocultor siguiendo el mismo procedimiento de la barra segadora. Es muy útil para limpiar carreteras, plazoletas, veredas etc... es aconsejada también para barrer la nieve fresca hasta 10/12 cm. La barredora se puede inclinar hacia la derecha o hacia la izquierda para formar las franjas. El manillar se girará 180° colocándolo por la parte del motor; para ello seguir las instrucciones dadas para el montaje de la barra segadora. Para que la barredora gire habrá que desactivar el dispositivo de seguridad que impide que se activen simultáneamente la marcha atrás y la toma de fuerza (en cambio, necesario para usar la fresa). **Para ello basta con quitar el tornillo que hace de contraste contra la palanca de la toma de fuerza impidiendo la doble activación (fig.2).**

Importante: si se vuelve a montar la fresa es obligatorio restablecer las condiciones iniciales del dispositivo de seguridad. El fabricante no se asume ninguna responsabilidad por el incumplimiento de esta norma (fig. 2 y fig. 2/A).

ADVERTENCIAS PARA EL TRANSPORTE

El motocultor no puede circular por carretera pública. Si la máquina se transporta sobre un camión o sobre un remolque, será necesario bajar el manillar, meter la primera marcha, y amarrar de manera segura la máquina al medio de transporte por medio de correas y/o cuerdas. Si se utiliza un medio elevador para cargar la máquina, verificar que la capacidad de elevación sea adecuada al peso de la máquina.



GEAR LEVER
1 / 2 GEARS
F IN NEUTRAL POSITION

MARCE
1 / 2 MARCE
F POSIZIONE DI FOLLE

LEVIER DE COMMANDE DE VITESSE
1 / 2 VITESSES
F POINT MORT

GANGHEBEL
1 / 2 GÄNGE
F LEERLAUF

MARCHAS
1 / 2 MARCHA
F PUNTO MUERTO

ΜΟΧΛΟΣ ΤΑΧΥΤΗΤΩΝ
1/2 ΤΑΧΥΤΗΤΕΣ
F ΝΕΚΡΑ



GEAR INVERTER
INVERTITORE DI MARCIA
INVERSEUR DE MARCHE
UMKEHRGETRIEBE
INVERSOR DE MARCHA
ΣΥΜΠΛΕΚΤΗΣ
ΤΑΧΥΤΗΤΩΝ

⚠ DANGER



Warning! Turning gears, keep your hands and feet
Do not clean the attachment when the engine is running.

Attenzione! Organo in rotazione, tenere lontano
Non pulire l'attrezzo col motore in moto.

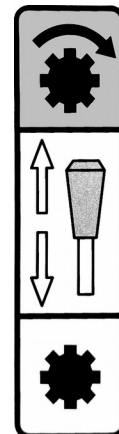
Attention! Organ en rotation, ne pas approcher
Ne pas nettoyer le moteur quand le moteur est en marche.

Achtung! Rotierende Klinge, Hände und Füße fernhalten.
Niemals bei laufendem Motor reinigen.

Προσοχή! Περιστρεφόμενα μέρη, κρατάτε μακριά πόδια και χέρια. Μην καθαρίζετε τα μαχαίρια με τον κινητήρα αναμμένο.

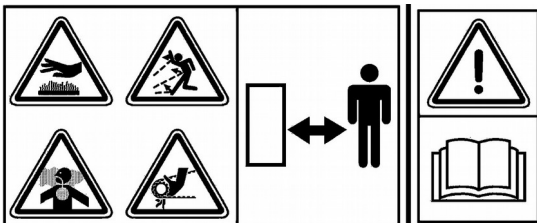


Fig. 1



PTO ON

PTO OFF



DANGER! READ THE INSTRUCTION MANUAL.
KEEP SAFETY DISTANCES.

PERICOLO! LEGGERE IL MANUALE D'ISTRUZIONI.
TENERE LONTANO LE PERSONE.

DANGER! LIRE LE MANUEL D'INSTRUCTIONS.
RESPECTER LES DISTANCES DE SECURITE.

GEFAHR! DIE GEBRAUCHSANLEITUNG DURCHLESEN.
NICHT IN DER NÄHE VON ANDEREN PERSONEN MÄHEN.

PELIGRO! LEER LAS INSTRUCCIONES.
MANTENER ALEJADAS LAS PERSONAS.

ΚΙΝΔΥΝΟΣ! ΔΙΑΒΑΣΤΕ ΤΟ ΕΓΧΕΙΡΙΔΙΟ ΟΔΗΓΙΩΝ. ΜΗΝ
ΕΠΙΤΡΕΠΕΤΕ ΣΕ ΤΡΙΤΟΥΣ ΝΑ ΠΛΗΣΙΑΣΟΥΝ.

ATTENZIONE!

Sicklebar – Motofalciatrice – Motofaucheuse – Motomäher – Motosegadora – ΧΟΡΤΟΚΟΠΤΙΚΟ

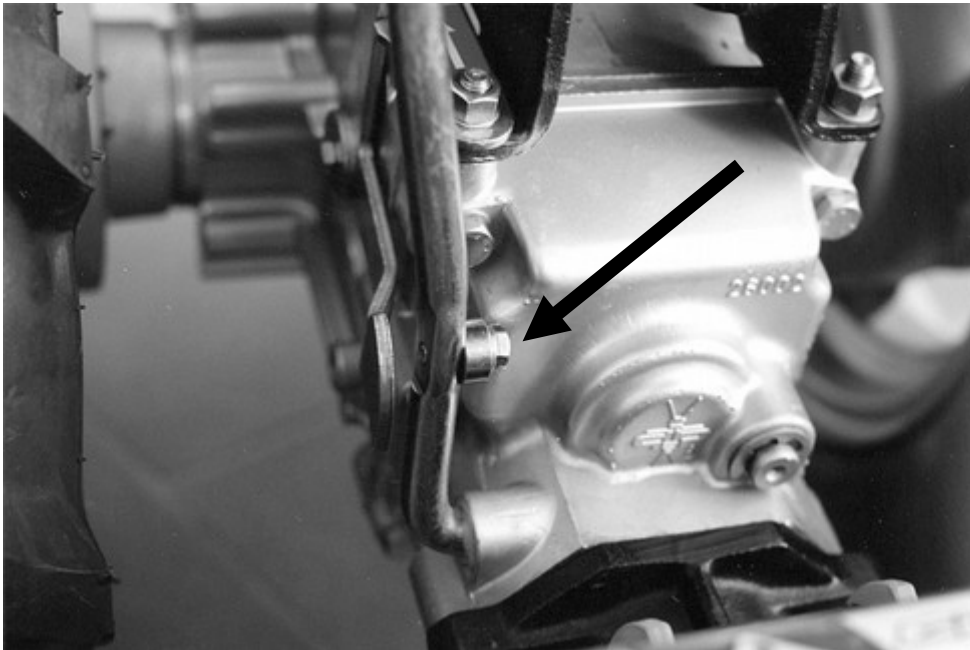


Fig. 2

Walking tractor – Motocoltivatore – Motoculteur – Einacsschlepper – Motocultor – ΜΟΤΟΣΚΑΠΤΙΚΟ

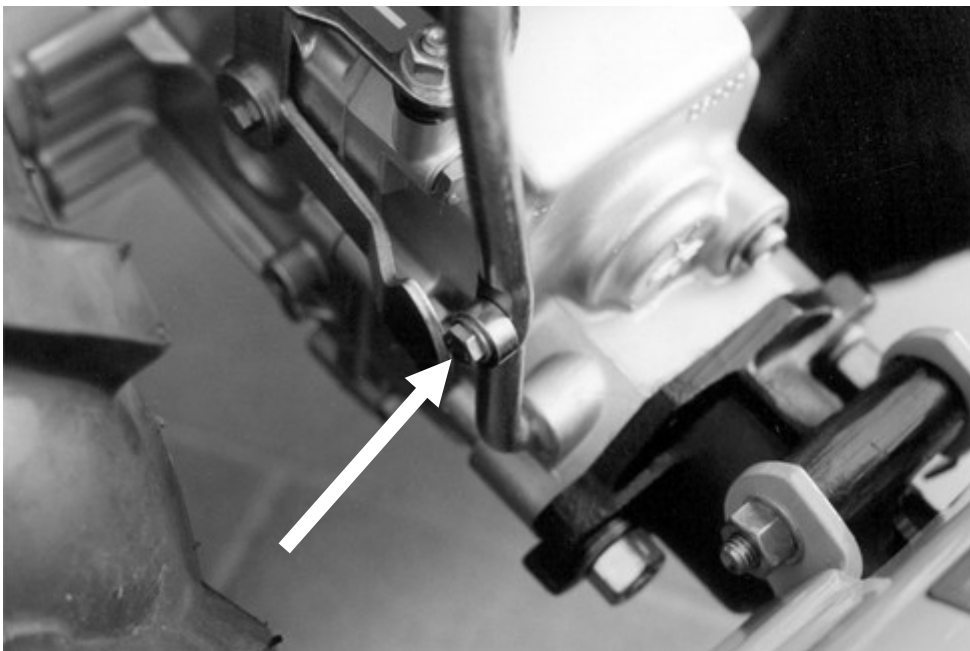


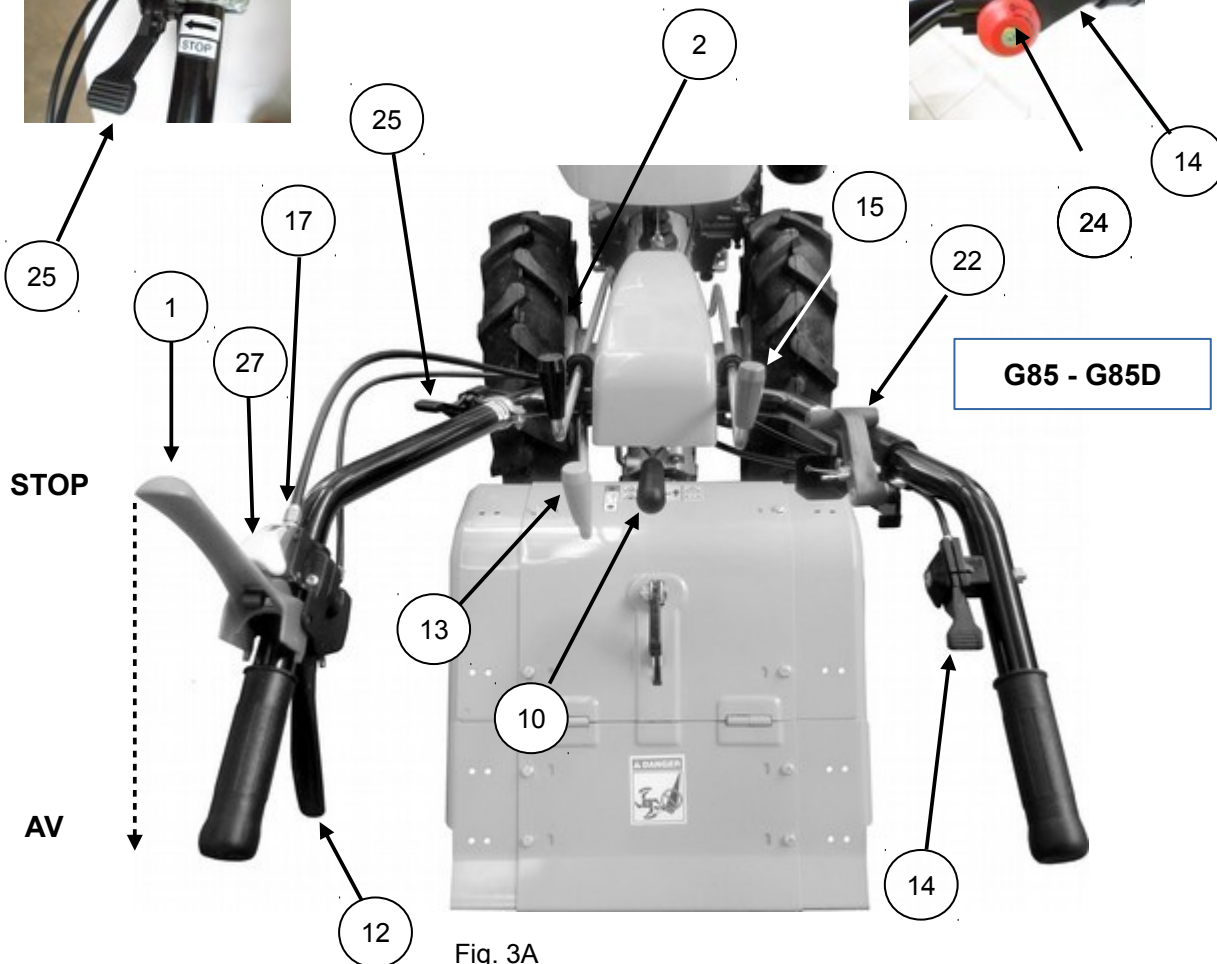
Fig. 2A



Fig. 3

**STOP
DIESEL**

**STOP
PETROL - BENZINA**



G85 - G85D

Fig. 3A

G107D

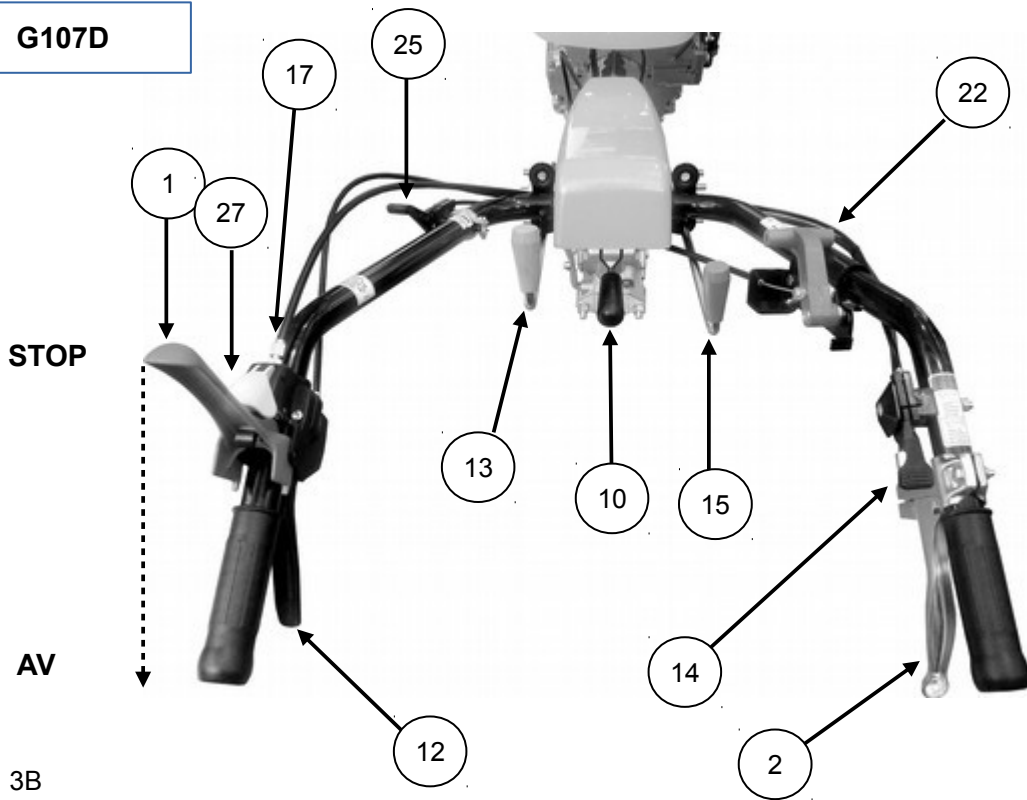


Fig. 3B

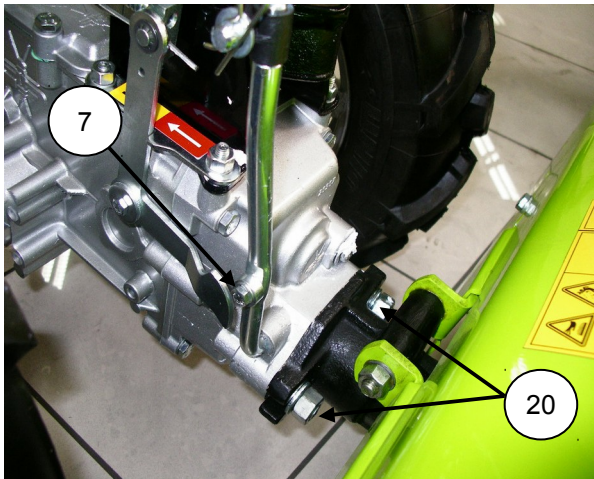


Fig. 4A

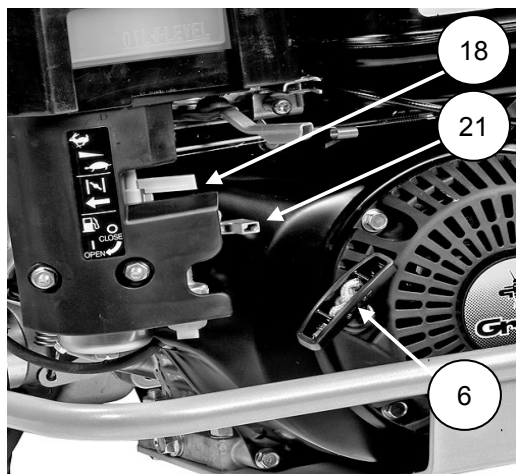


Fig. 4B

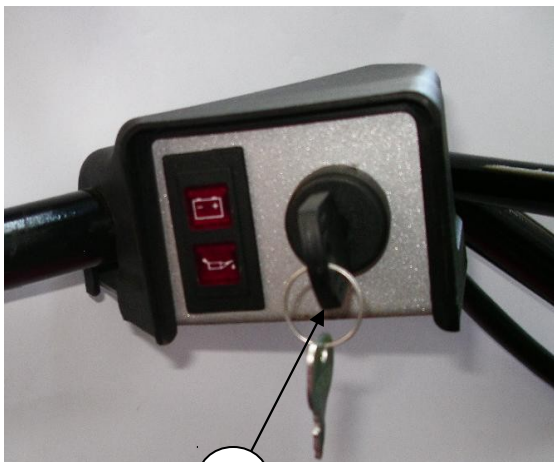


Fig. 4C

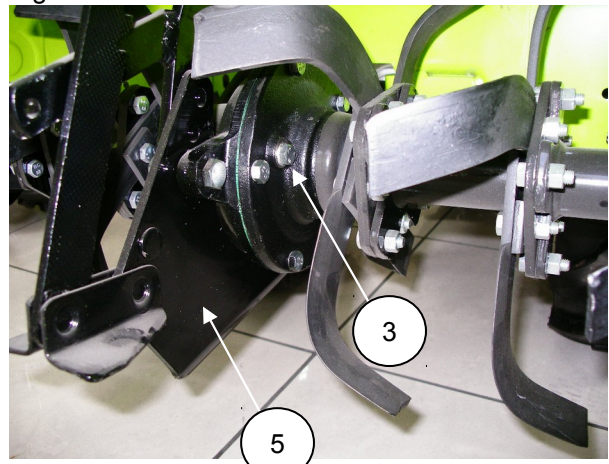


Fig. 4D

LEGENDA FIG. 3 – 3A – 4 – 4A

- 1) Clutch lever
- 2) Reverse lever
- 3) Tiller oil plug
- 4) Hoeing depth adjustment rod
- 5) Central tiller blade
- 6) Start handle
- 7) Reverse interference
- 8) Wheel locking nuts
- 9) Motor oil level
- 10) Handlebar positioning lever
- 11) Fuel plug
- 12) Handle positioning lever
- 13) Power takeoff gear lever
- 14) Accelerator lever
- 15) Gear lever
- 16) Tiller cover adjustment rod
- 17) Clutch cable adjustment screw
- 18) Starter lever
- 19) Air filter
- 20) Flanging for implement
- 21) Petrol cock
- 22) Differential locking lever
- 23) Motor guards
- 24) Petrol engine switch off
- 25) Diesel engine stop lever
- 26) Starting key
- 27) Security lever

- 1) Leva frizione
- 2) Leva retromarcia
- 3) Tappo olio fresa
- 4) Asta regolazione profondità di zappatura
- 5) Coltello centrale fresa
- 6) Maniglia avviamento
- 7) Interferenza retromarcia
- 8) Dadi fissaggio ruote
- 9) Livello olio motore
- 10) Leva posizionamento manubrio
- 11) Tappo carburante
- 12) Leva posizionamento stegola
- 13) Leva innesto presa di forza
- 14) Manettino acceleratore
- 15) Leva marce
- 16) Asta regolazione cofano fresa
- 17) Registro filo frizione
- 18) Leva starter
- 19) Filtro aria
- 20) Flangiatura attrezzi
- 21) Rubinetto carburante (benzina)
- 22) Levetta bloccaggio differenziale
- 23) Paraurti motore
- 24) Spegnimento motore benzina
- 25) Manettino spegnimento mot.diesel
- 26) Chiave avviamento
- 27) Levetta di sicurezza

- 1) Levier embrayage
- 2) Levier inverseur de sens de marche
- 3) Bouchon huile fraise
- 4) Régleur de la profondeur de binage
- 5) Couteau central fraise
- 6) Poignée mise en marche
- 7) Interférence marche arrière
- 8) Écrous ablocage roues
- 9) Niveau de l'huile moteur
- 10) Levier positionnement guidon
- 11) Bouchon carburant
- 12) Levier positionnement mancheron
- 13) Levier enclenchement prise de force
- 14) Manette accélérateur
- 15) Levier vitesses
- 16) Régleur capot fraise
- 17) Réglage fil embrayage
- 18) Levier starter
- 19) Filtre à air
- 20) Bridage outils
- 21) Robinet à essence
- 22) Levier blocage différentiel
- 23) Pare-chocs du moteur
- 24) Interrupteur calage moteur à essence
- 25) Levier calage moteur diesel
- 26) Clé démarrage
- 27) Levier de sécurité

- 1) Kupplungshebel
- 2) Rückwärtsgang-Hebel
- 3) Öldeckel Fräse
- 4) Hacktiefeinstellung
- 5) Zentralmesser Fräse
- 6) Startgriff
- 7) Rückwärtsgang-Sperre
- 8) Befestigungsmuttern Räder
- 9) Motorölstand
- 10) Lenker-Positionierungshebel
- 11) Kraftstoff-Tankdeckel
- 12) Lenkholm-Positionierungshebel
- 13) Zapfwellen-Kupplungshebel
- 14) Gashebel
- 15) Ganghebel
- 16) Fräshauben-Einstellstange
- 17) Kupplungsseil-Einstellung
- 18) Starter-Hebel
- 19) Luftfilter
- 20) Geräteflansch
- 21) Benzinhahn
- 22) Hebel Differentialsperre
- 23) Stoßstange Motor
- 24) Schalter auf dem Gashebel um Benzinmotoren zu stoppen
- 25) Hebel um Dieselmotoren zu stoppen
- 26) Zündschlüssel
- 27) Sicherheitshebel

- 1) Palanca de embrague
- 2) Palanca de la marcha atrás
- 3) Tapón del aceite de la fresa
- 4) Asta de regulación de profundidad del trabajo de la fresa
- 5) Cuchilla central de la fresa
- 6) Hanillar de arranque
- 7) Interferencia marcha atrás
- 8) Tuercas de fijación de las ruedas
- 9) Nivel de aceite del motor
- 10) Palanca de pusicionar el manubrio
- 11) Tapón del carburante
- 12) Palanca de posicionar la esteva
- 13) Palanca para la puesta en marcha de la toma de fuerza
- 14) Manecilla del acelerador
- 15) Palanca de marchas
- 16) Asta de regulación del capó de la fresa
- 17) Registro del hilo de fricción o embrague
- 18) Palanca estarter
- 19) Filtro de aire
- 20) Conexión de las herramientas
- 21) Tapón del carburante (gasolina)
- 22) Palanca de bloqueo diferencial
- 23) Parachoques del motor
- 24) Interruptor paro motor gasolina
- 25) Palanca de paro motor diesel
- 26) Llave de arranque
- 27) Palanca de seguridad

- 1) Λεβιές συμπλέκτη
- 2) Λεβιές όπισθεν
- 3) Τάπα λαδιού φρέζας
- 4) Βραχίονας ρύθμισης βάθους σκαψίματος
- 5) Κεντρική λεπίδα φρέζας
- 6) Λαβή εκκίνησης
- 7) Ασφάλεια όπισθεν
- 8) Παξιμάδια στερέωσης τροχών
- 9) Στάθμη λαδιού κινητήρα
- 10) Μοχλός ρύθμισης τιμονιού
- 11) Τάπα καυσίμου
- 12) Μοχλός ρύθμισης χειρολαβής
- 13) Μοχλός σύμπλεξης δυναμοδότη
- 14) Μανέτα γκαζιού
- 15) Λεβιές ταχυτήτων
- 16) Μοχλός ρύθμισης καπού φρέζας
- 17) Ρεγουλατόρος ντίζας συμπλέκτη
- 18) Μοχλός εκκίνησης
- 19) Φίλτρο αέρος
- 20) Σύνδεσμος παρελκομένου
- 21) Μοχλός βενζίνης
- 22) Λεβιές μπλοκαρίσματος διαφορικού
- 23) Προφυλακτήρας κινητήρα
- 24) Διακόπτης σβησίματος βενζινοκινητήρα
- 25) Μοχλός σβησίματος πετρελαιοκινητήρα
- 26) Κλειδί εκκίνησης
- 27) Μοχλός ασφαλείας

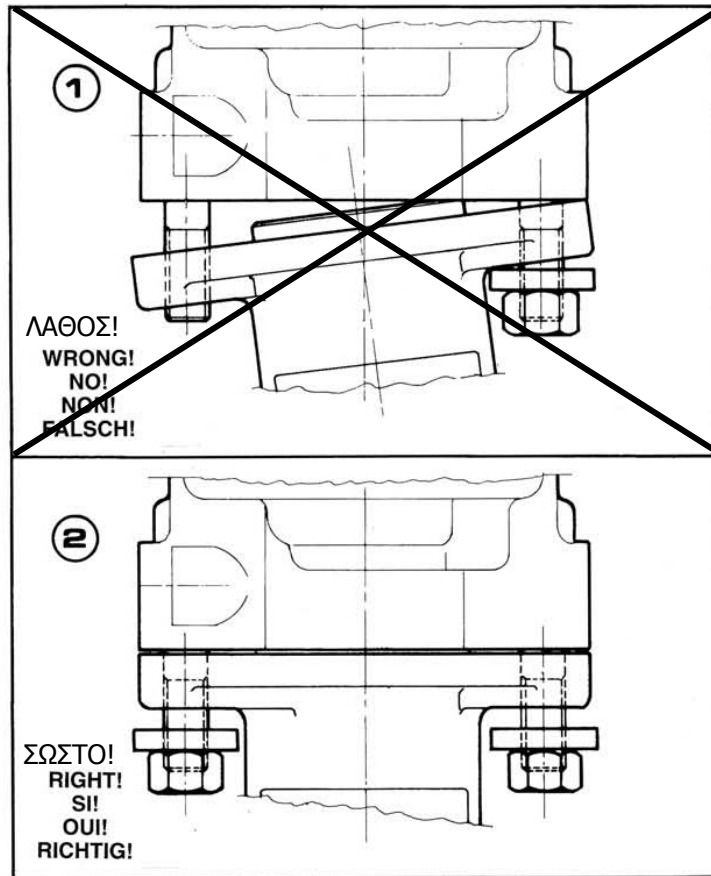


Fig. 4F

HOW TO FIX THE IMPLEMENTS

- 1) Draw the implement near the machine
- 2) Insert it right in the centre and then tighten using two nuts

Important: The lack of observance of this rule can ruin the couplings and consequently the implement disengages

ISTRUZIONI MONTAGGIO ATTREZZI

- 1) Accostare l'attrezzo alla macchina
- 2) Inserirlo bene nel centraggio e serrare con i dadi

Importante: Non osservando questa regola si compromette il centraggio, di conseguenza l'attrezzo si disinnesta.

INSTRUCTIONS POUR LE MONTAGE DES OUTILS

- 1) Approcher l'outil à la machine.
- 2) Introduire l'outil bien au centre et serrer par les deux écrous.

Important: si l'on n'observe pas cette règle on peut endommager la jonction et par conséquent l'outil débraye.

MONTAGEANLEITUNG FÜR ZUBEHÖR

- 1) Das Gerät ersichtlich an die Maschine bringen.
- 2) Das Gerät in das Zentrierstück einlegen und die Muttern anziehen.

WICHTIG: diese Anleitungen müssen sorgfältig befolgen werden. Andernfalls wird die Zentrierung beeinträchtigt und das Gerät funktioniert nicht.

INSTRUCCIONES MONTAJE HERRAMIENTAS

- 1) Acercar las herramientas a la maquina.
- 2) Insertarlas bien en el acoplamiento y apretarlas con dos tuercas.

IMPORTANTE: No observando estas reglas se daña el acoplamiento y consecuentemente se desconecta la herramienta.

ΟΔΗΓΙΕΣ ΤΟΠΘΕΤΗΣΗΣ ΠΑΡΕΛΚΟΜΕΝΩΝ

- 1) Πλησιάστε το παρελκόμενο στο μηχάνημα
- 2) Κεντράρετέ το καλά και σφίξτε με τα 2 παξιμάδια

ΣΗΜΑΝΤΙΚΟ: Μην τηρώντας αυτό τον κανόνα δεν επιτυγχάνεται το κεντράρισμα και το παρελκόμενο αποσυνδέεται.

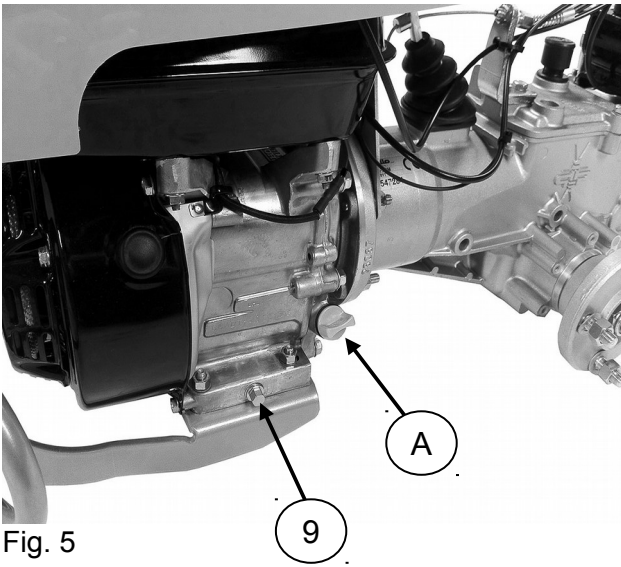


Fig. 5

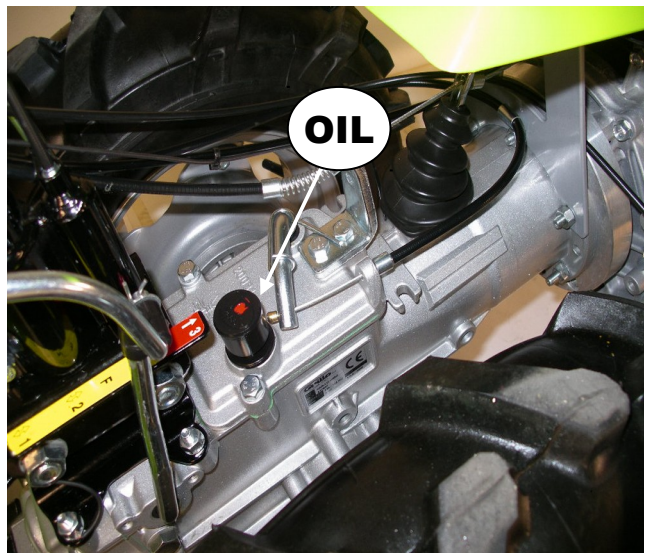


Fig. 6



Fig. 7



Fig. 7A

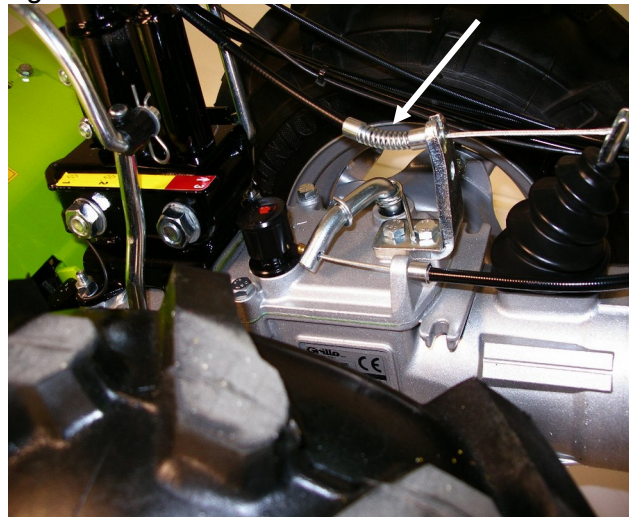


Fig. 8

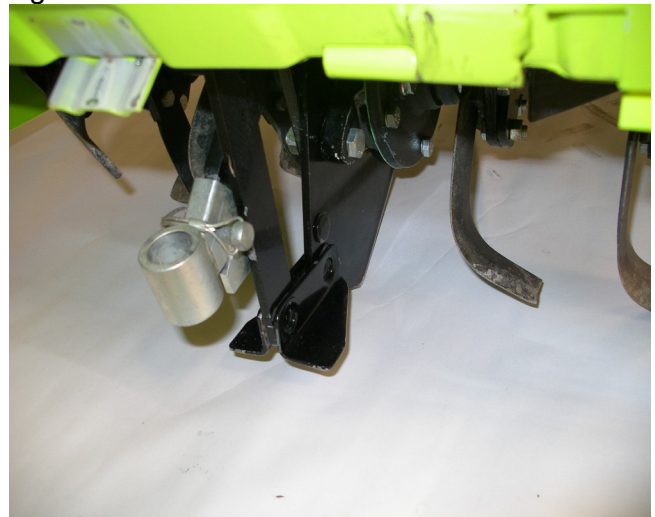


Fig. 9



Fig. 10



Fig. 11

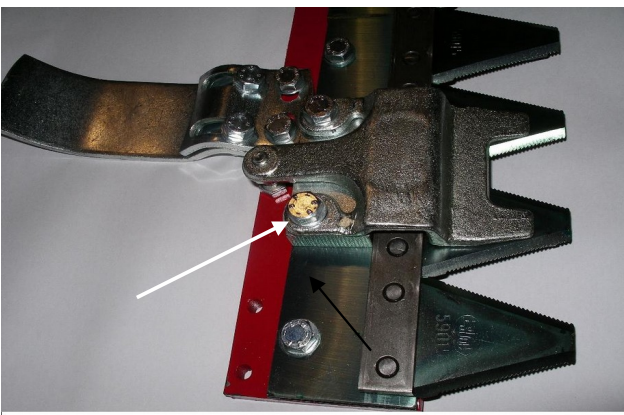


Fig. 12

THE CUTTER BAR MUST BE WASHED AND GREASED AFTER EACH USE

If you want your cutter bar to last long lubricate your cutter bar as follows:

- 1) Lubricate every 50 hours
- 2) Lubricate every 8 hours
- 3) The blade coupling must be replaced when it gains too much clearance
- 4) Often check fingers and ledger plates and keep them well-lubricated
- 5) Often lubricate the blade. You can use exhaust oil taken from engine oil changes
- 6) Ledger plates adjuster.

DER MÄHBALKEN MUSS NACH JEDER BENUTZUNG GEREINIGT UND NACHGESCHMIERT WERDEN

Zur Gewährleistung von Effizienz und langer Lebensdauer müssen folgende Stellen nachgeschmiert werden:

- 1) Alle 50 Stunden nachschmieren.
- 2) Alle 8 Stunden nachschmieren.
- 3) Sobald die Messerkupplung locker wird muss diese ausgewechselt werden
- 4) Zähne und Messerdrücker müssen häufig kontrolliert und nachgeschmiert werden
- 5) Das Messer oft mit altem Motoröl geschmiert werden.
- 6) Messerdrücker Regler.

LAVARE E LUBRIFICARE LA BARRA FALCIANTE DOPO OGNI UTILIZZO

Per mantenere l'efficienza della vostra barra falciante il più a lungo possibile seguire i punti di lubrificazione:

- 1) Lubrificare con grasso ogni 50 ore
- 2) Lubrificare con grasso ogni 8 ore
- 3) L'attacco lama va sostituito quando prende gioco
- 4) i denti e i premilama vanno controllati spesso e tenuti ben lubrificati
- 5) La lama va spesso lubrificata con olio vecchio, recuperato dai cambi olio del motore.
- 6) Registro premilama.

LAVAR Y LUBRICAR LA BARRA DE SIEGA TRAS CADA USO

Para mantener la eficiencia de vuestra barra de siega el mayor tiempo posible seguir los puntos de lubricación:

- 1) Lubricar con grasa cada 50 horas
- 2) Lubricar con grasa cada 8 horas
- 3) Sustituir el empalme de la cuchilla cuando esto cada holgura
- 4) Controlar los dientes y los prensa-cuchilla frecuentemente y mantenerlos bien lubricados.
- 5) Lubricar la cuchilla a menudo y con aceite recuperado de los vaciados del motor.
- 6) Registro prensa-cuchilla.

NETTOYER ET LUBRIFIER LA BARRA DE COUPE APRES CHAQUE USAGE

Pour assurer l'efficacité de Votre barre de coupe suivez les indications suivantes:

- 1) Lubrifier avec graisse toutes les 50 heures
- 2) Lubrifier avec graisse toutes les 8 heures
- 3) L'attache doit être remplacé quand il prend du jeu.
- 4) Les dents et les garde-lame doivent être contrôlés souvent et bien lubrifiés.
- 5) La barre de coupe doit être lubrifiée souvent avec de l'huile moteur usé.
- 6) Régler les garde-lame.

ΣΤΟ ΤΕΛΟΣ ΤΗΣ ΕΡΓΑΣΙΑΣ ΠΡΕΠΕΙ ΝΑ ΠΛΕΝΕΤΕ ΚΑΙ ΝΑ ΛΙΠΑΙΝΕΤΕ ΤΗ ΜΠΑΡΑ ΧΟΣΤΟΚΟΠΗΣ.

Για μεγάλη διάρκεια ζωής σας υπενθυμίζουμε τα εξής σημεία λίπανσης:

- 1) Λιπαίνετε κάθε 50 ώρες με γράσο.
- 2) Λιπαίνετε κάθε 8 ώρες με γράσο.
- 3) Αυτός ο σύνδεσμος μαχαριού πρέπει να αντικατασταθεί όταν αρχίσει να έχει τζόγο.
- 4) Οι λεπίδες και τα πλακίδια τριβής πρέπει να ελέγχονται συχνά και να λιπαίνονται.
- 5) Η λόγχη πρέπει να λιπαίνεται συχνά. Μπορείτε να χρησιμοποιήσετε το λάδι από τις αλλαγές λαδιών της μηχανής.
- 6) Ρυθμίστε τα πλακίδια τριβής.

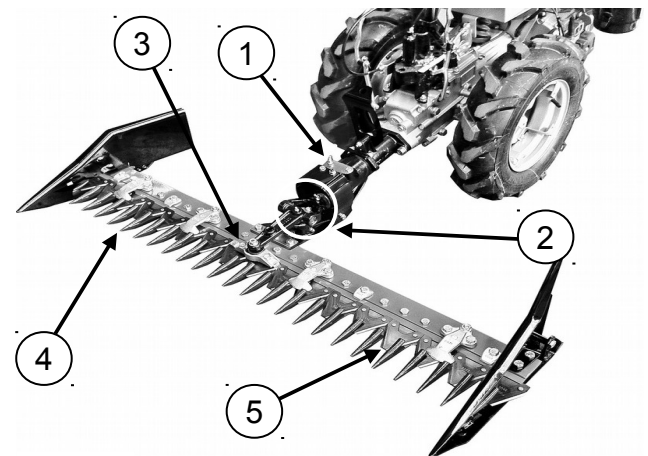


Fig. 13



Fig. 14



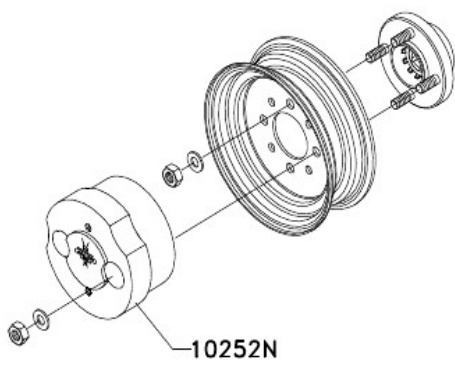
Fig. 15



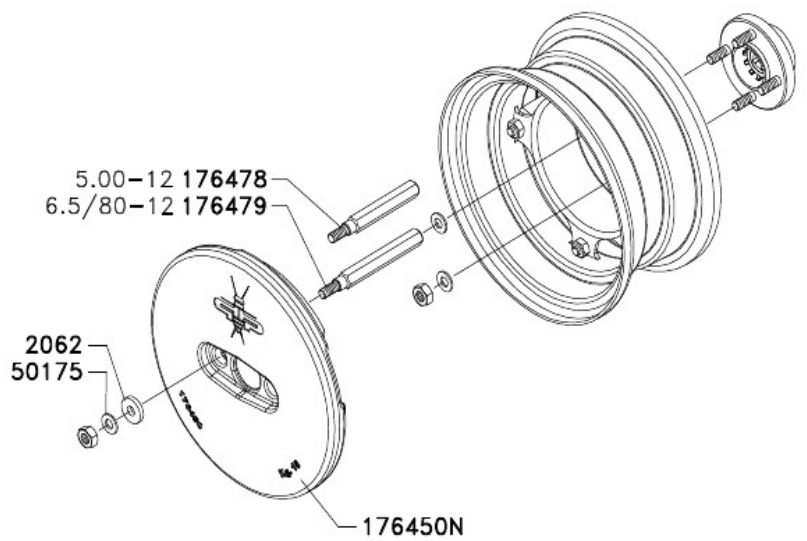
Fig. 16



Fig. 17



4.00-8 4.00-10 5.00-10



5.00-12 6.5/80-12

Fig. 18



Fig. 19



Fig. 20



Fig. 21



Fig. 22



Fig. 23



Fig. 24

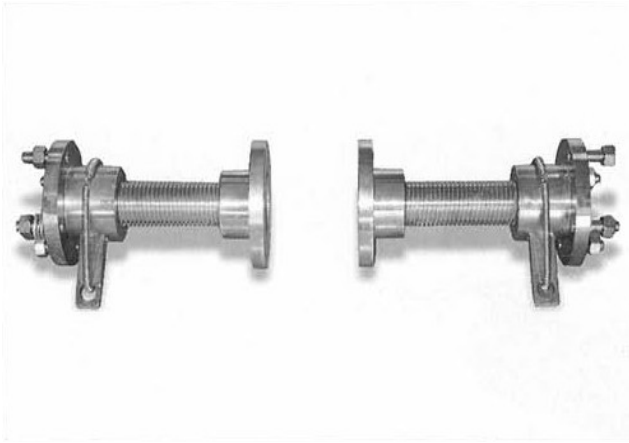


Fig. 25



Fig. 26



Fig. 27



Fig. 28

WORKING DEPTH ADJUSTMENT
REGOLAZIONE DELLA LAMA ZAPPETTO
REGLAGE PROFONDEUR DE TRAVAIL
EINSTELLUNG DER ARBEITSTIEFE BEI FRÄSEN
REGULACION PROFUNDIDAD

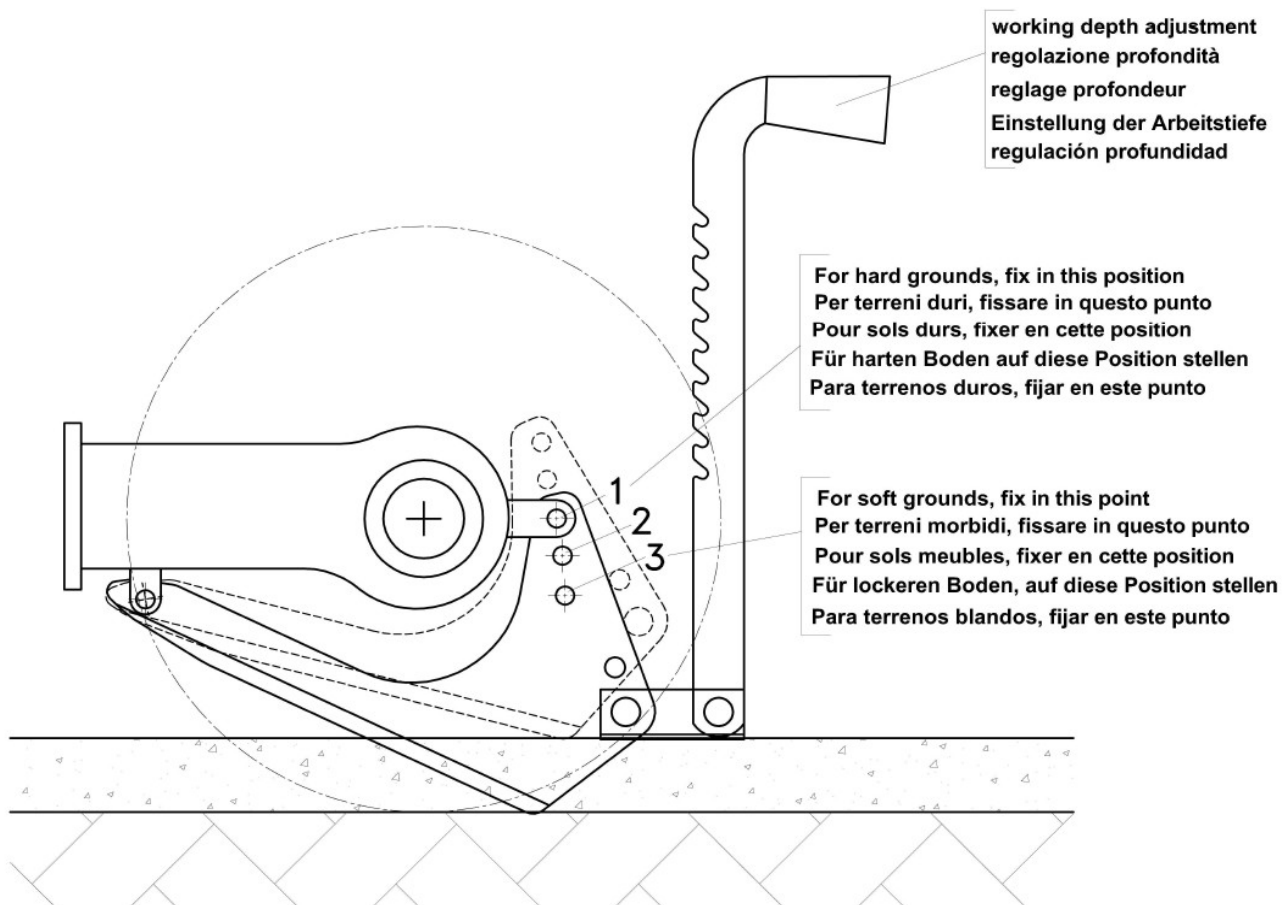
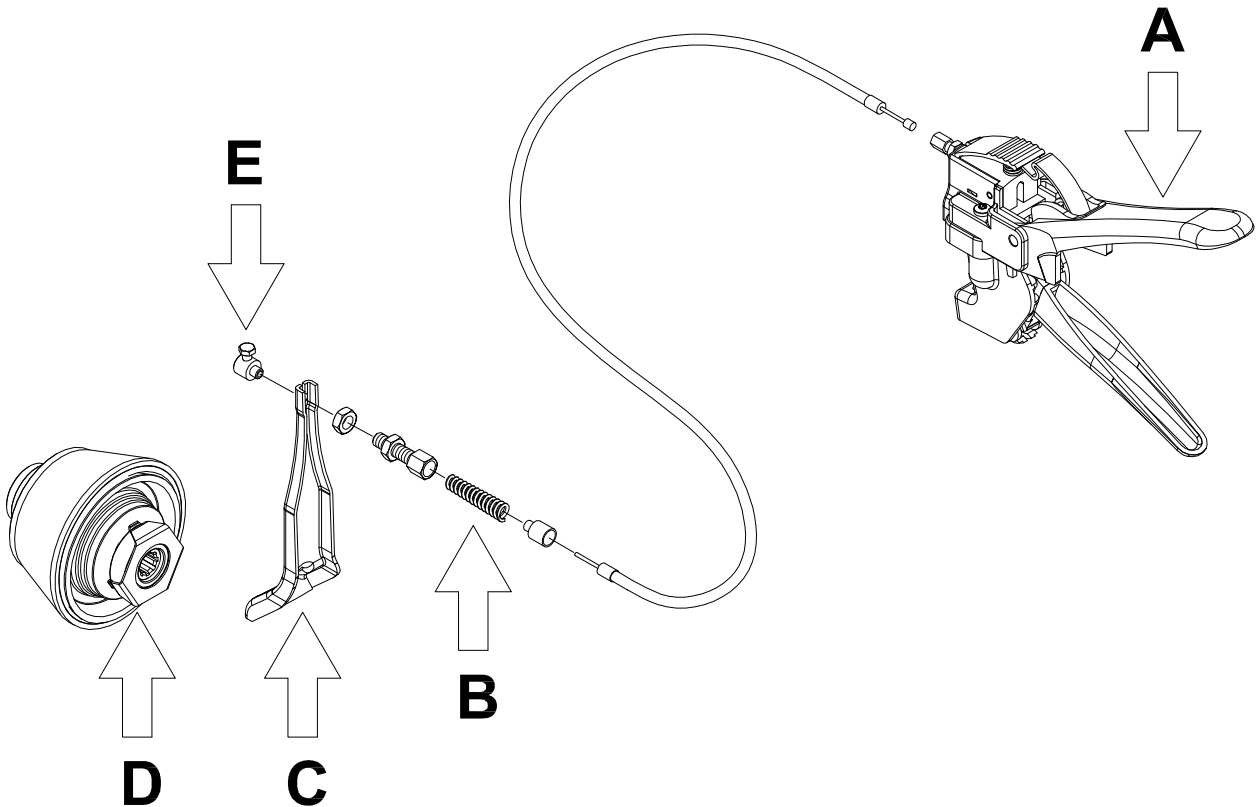


Fig. 4E



CAUTION

Keep the A lever firmly depressed during work.
Do not use the machine whilst only partially pressing the lever.
The B spring must be compressed to 80% while pressing the A lever to prevent the clutch from sliding in case the lever A is partially released during work.
The lever C when in neutral position must not come in touch with the bearing D.
If necessary adjust the distance using the clamp E.

ATTENZIONE

Durante il lavoro la leva A va mantenuta ben premuta.
Non lavorare mai con la leva parzialmente premuta.
La molla B dev'essere compressa all'80% quando la leva A è premuta, in modo da compensare un eventuale rilascio parziale della leva A durante il lavoro evitando così lo slittamento della frizione.
La leva C nella posizione di folle non deve toccare il cuscinetto D.
Eventualmente regolare la distanza tramite morsetto E.

ATENCIÓN

Durante el trabajo mantener la palanca A bien presionada.
Nunca trabajar con la palanca parcialmente presionada.
El muelle B debe estar comprimido al 80% para evitar que el embrague deslice si la palanca A no es presionada a fondo durante el trabajo.
La palanca C en posición de punto muerto no debe tocar el rodamiento D.
Al ser necesario, ajustar la distancia por medio del sujetacables E.

ATTENTION

Le levier A doit être bien maintenu pendant le travail.
Ne travaillez pas avec le levier à moitié course.
Le ressort B doit être comprimé à 80% pour éviter le glissement de l'embrayage si le levier A est partiellement relâché pendant le travail.
Le levier C en position de point mort ne doit pas toucher le roulement D.
Si nécessaire, régler la distance au moyen du serre-câble E.

VORSICHT

Der Hebel A während der Arbeit immer gut gedrückt halten.
Nie mit nur teilweise gedrücktem Hebel arbeiten.
Die Feder B muss bis zu 80% komprimiert sein, wenn den Hebel A gedrückt wird, so dass die Kupplung nicht gleitet, sollte der Hebel A während der Arbeit zufällig teilweise losgelassen werden.
Der Hebel C in Leerlauf muss nicht mit dem Lager D in Berührung kommen.
Wenn nötig, den Abstand durch die Klemmschraube E.

EC DECLARATION OF CONFORMITY AND CERTIFICATE OF ORIGIN / DICHIARAZIONE DI CONFORMITÀ CE E CERTIFICATO DI ORIGINE / CERTIFICAT DE CONFORMITE CE ET D'ORIGINE / EG-KONFORMITÄT SERKLÄRUNG UND URSPRUNGSBESCHEINIGUNG / CERTIFICADO DE CONFORMIDAD CE Y DE ORIGEN / DECLARAÇÃO CE DE CONFORMIDADE Y CERTIFICADO DE ORIGEM

(2006/42/CE, II.A)

The undersigned / Io sottoscritto / Je soussigné / Der Unterzeichner / Yo suscrito / Eu abaixo assinado:

Ing. Andrea Pinza

Authorized officer of / In qualità di legale rappresentante della / En qualité de représentant légal de la / Als rechtlicher Vertreter der / En calidad de legal representante de la / Na qualidade de representante legal da

GRILLO SPA – Via Cervese, 1701 – 47521 CESENA (FC) – ITALY

Hereby certifies that the underwritten machinery / Dichiaro che la macchina sotto indicata / Certifie que la machine indiquée ci-dessous / Bescheinigt, dass die untenstehende Maschine / Certifico que la máquina indicada a continuación / Certifica que a máquina abaixo indicada	Authorized person to compile the relevant technical documentation / Persona autorizzata alla compilazione del fascicolo tecnico / Personne autorisée à constituer le dossier technique / Person, die bevollmächtigt ist, die technischen Unterlagen zusammenzustellen / Persona facultada para elaborar el expediente técnico / Pessoa autorizada a compilar a documentação técnica relevante :
--	---

Walking tractor / Motocoltivatore / Motoculteur / Einachsschlepper / Motocultor / Motocultivador	Grillo Spa Via Cervese, 1701 – 47521 CESENA (FC) – ITALY
--	--

Machine model / Macchina tipo / Machine type / Maschine Typ / Máquina tipo: G85 – G85D – G107D
Serial n° / Numero / Numéro / Nummer / Número:
Engine / Motore / Moteur / Motor / Motor: ROBIN EX27 – HONDA GX270 – LONCIN GR300 - KOHLER KD15 350 - KOHLER KD15 440



Is in compliance with the relevant provisions of the Directive / Rispetta le disposizioni pertinenti della Direttiva / Satisfait à l'ensemble des dispositions pertinentes de la Directive / Entspricht allen einschlägigen Bestimmungen dieser Richtlinie / Cumple todas las disposiciones aplicables de la presente Directiva / Está em conformidade com as disposições relevantes da Directiva / Σύμφωνα με τις σχετικές προβλέψεις της Οδηγίας

2006/42/CE - UNI EN 709 - UNI EN 12733



CESENA, _____

NOISE LEVELS: LpA 85 dBA with petrol engine at 3600 rpm engine speed. LpA 91 dBA with diesel engine at 3600 rpm engine speed.
RUMOROSITÀ: LpA 85 dBA con motore a benzina e motore a 3600 giri/min. LpA 91 dBA con motore a diesel e motore a 3600 giri/min.
NIVEAUX SONORES: LpA 85 dBA avec moteur essence et régime moteur de 3600 tr/min. LpA 91 dBA avec moteur diesel et régime moteur de 3600 tr/min.
GERÄUSCHEMISSION: LpA 85 dBA mit Benzinmotor und Motordrehzahl 3600 UpM. LpA 91 dBA mit Dieselmotor und Motordrehzahl 3600 UpM.
NIVELES DE RUIDO: LpA 85 dBA con motor de gasolina y motor a 3600 rpm. LpA 91 dBA con motor diesel y motor a 3600 rpm.
NIVELES DE RUIDO: LpA 85 dBA con motor a gasolina e regime do motor 3600 rpm. LpA 91 dBA con motor diesel e regime do motor 3600 rpm.

VIBRAZIONI VIBRATION SCHWINGUNG VIBRACIONES VIBRAÇÕES m/s ²		
X	3,03	1,44
Y	1,25	2,85
Z	3,41	2,93



Grillo S.p.A.

47521 CESENA (ITALY) – Via Cervese 1701

Tel: +39 0547 633111

Fax: +39 0547 632011

Website: www.grillospa.it

E-mail: grillo@grillospa.it

GRILLO DEUTSCHLAND GmbH

Pilsener Strasse, 9 - D-86199 Augsburg

Tel: + 49 082126879910

Faxnr.: + 49 01733132860

Webseite: www.grillodeutschland.de

E-Mail: grillo@grillodeutschland.de

Grillo Agrigarden LTD

Dove fields Uttoxeter - ST148HU Staffordshire

Tel: + 44 01889569149

Fax no.: + 44 01889592666

Website: www.grilloagrigarden.co.uk

E-mail: info@grilloagrigarden.co.uk