



# MVSP Owner's Manual



## Self-Propelled Multi-Vac Owner's Manual MV650SPH, MV601SPE, and MV650SPHDS Beginning Serial #: 020516001

### Accessories

CASTER KIT	HOSE KIT	BAG LINER KIT	FELT BAG KIT	LINER KIT
Use on hard surface for maneuverability.	For vacuuming hard to reach areas.	To collect leaves, thatch, and grass.	Use on all dusty conditions.	Interior housing liner to decrease housing wear.
P/N 840129	P/N 840116	P/N 840134	P/N 840194	P/N 840201

### Original Instructions

IMPORTANT- READ CAREFULLY BEFORE USE AND KEEP FOR FUTURE REFERENCE.



## MVSP Owner's Manual

---

### CONTENTS

SPECIFICATIONS AND SAFETY	3
INSTRUCTION LABELS	4
ASSEMBLY INSTRUCTIONS	5-6
OPERATION	7-9
MAINTENANCE AND TROUBLESHOOTING	10-15
ILLUSTRATED PARTS LIST	16-24
DECLARATION OF CONFORMITY	25-27

Go to <http://www.billygoat.com> for French-Canadian translations of the product manuals.

Visitez <http://www.billygoat.com> pour la version canadienne-française des manuels de produits



## SPECIFICATIONS

	MV650SPH	MV601SPE	MV650SPHDS
Engine Type	Honda GSV190LN1L	Briggs and Stratton Professional Series 121S02-0110-F1	Honda GSV190LN1L
Horsepower	6.5 (4.85 kW)	5.0 (3.73 kW)	6.5 (4.85 kW)
Fuel Capacity	1.6 qt (1.5 L)	1.2 qt. (1.14 L)	1.6 qt (1.5 L)
Oil Capacity	0.58 qt (0.54L)	0.56 qt. (0.53 L)	0.58 qt (0.54L)
Unit Weight	179 lbs (81.2 kg)	204 lbs (92.5 kg)	179 lbs (81.2 kg)
Overall Dimensions	28" Wide x 62.5" Long x 45.5" High	28" Wide x 62.5" Long x 45.5" High	28" Wide x 62.5" Long x 45.5" High
Maximum Operating Slope	20°	20°	20°
In compliance with 2000/14/EEC standards	103 dB(a) at 3320 rpm	105.5 dB(a)	103 dB(a) at 3320 rpm
Sound at Operators Ear	83 dB(a) at 3320 rpm	89 dB(a)	83 dB(a) at 3320 rpm
Vibration at operator position	1.43g(14.00 m/s <sup>2</sup> )	1.28g (12.57 m/s <sup>2</sup> )	1.43g(14.00 m/s <sup>2</sup> )

## SAFETY



### WARNING



This product can expose you to chemicals including gasoline engine exhaust, which is known to the State of California to cause cancer, and carbon monoxide, which is known to the State of California to cause birth defects or other reproductive harm. For more information go to [www.P65Warnings.ca.gov](http://www.P65Warnings.ca.gov).



## INSTRUCTION LABELS

The labels shown below were installed on your BILLY GOAT® MV Vacuum. If any labels are damaged or missing, replace them before operating this equipment. For your convenience in ordering replacement labels, part numbers are included in the Illustrated Parts List. The correct position for each label may be determined by referring to the Figure and Item numbers shown.



**LABEL FUEL WARNING**  
ITEM 55 P/N 400268



**LABEL EAR EYE BREATHE READ**  
ITEM 162 P/N 100346



**LABEL HEIGHT ADJUST**  
ITEM 34 P/N 840054



**LABEL CLUTCH**  
ITEM 120 P/N500176



**LABEL DANGER**  
ITEM 11 P/N 400424



**LABEL DANGER**  
ITEM 174 P/N 810736



**LABEL DOOR OPENING**  
ITEM 175 P/N 840080



**LABEL GUARDS**  
ITEM 118 P/N 900327

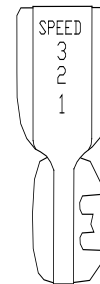
## ENGINE LABELS



## CONTROLS



**Throttle**  
P/N 840045



**Drive**  
P/N 510127



## ASSEMBLY INSTRUCTIONS

Your BILLY GOAT® MV Vacuum was shipped in one carton, completely assembled except for the Hood/Upper Handle Assembly. Mounting hardware for the Hood/Upper Handle Assembly is temporarily installed on the lower handle and the Housing Assembly.



**READ** all safety instructions before assembling unit.

**TAKE CAUTION** when removing the unit from the box. The Hood/Upper Handle Assembly is attached to the unit by cables.

### PARTS BAG & LITERATURE ASSY

Warranty card P/N- 400972, Owner's Manual P/N-840245, General Safety and Warnings Manual P/N-100294, Declaration of Conformity P/N-840204

### PARTS BAG HARDWARE

ITEM NO.	PART NO.	DESCRIPTION	QTY
139	840061	ROD LIFT NOZZLE DOOR	1
150	900407	TY- WRAP	2
152	8171003	WASHER 5/16" FLAT ZP	4
153	8160002	NUT LOCK 5/16"-18	2
158	8041006	SCREWCAP 1/4"-20 X 1" ZP	2
159	8041031	SCREWCAP 5/16" X 1 3/4" ZP	2
160	8171004	WASHER 3/8 FLAT	4
161	8172007	WASHER 1/4" SAE ZP	5
164	400886	ROD END BALL JOINT 3/8" NF	2
165	8041052	SCREWCAP 3/8"-16 X 1 1/2" ZP	1
166	8160003	NUT LOCK 3/8"-16	2
167	8041056	SCREWCAP 3/8"-16 X 2 1/2" ZP	1
170	8041004	SCREWCAP 1/4"-20 X 3/4" HCS ZP	1
171	8172019	WASHER FENDER 1/4" ZP	2
173	840071	NUT ACORN 1/4"-20	2

Boxing Parts Checklist	
<input type="checkbox"/>	Honda 6.5 Engine
<input type="checkbox"/>	B&S 6 Engine
<input type="checkbox"/>	Parts bag P/N-840187
<input type="checkbox"/>	Ty-wraps (2 ea)

**DISCONNECT** spark plug wire before assembling unit.

- Attach hood assembly to the housing then hold in place during step 2.  
*NOTE:* be sure all cables are routed on the underside of the hood and housing. (See Fig. 1)
- Install (item 170) center bolt first when aligned with a nut on the housing. (See Fig. 2)
- Attach rest of hood assembly to the housing using corresponding hardware. *NOTE:* You will have to insert the bolt/washer from the inside by reaching through the hood. (See Fig. 2)
- Attach upper handle brace to lower handle using corresponding hardware. Then repeat this step on the other side. (See Fig. 3 next page)
- Attach rod end (item 164) to the nozzle door rod then secure in place by tightening jam nut. (See Fig. 4 next page)
- Attach nozzle door rod to the nozzle door using corresponding hardware. *NOTE:* It is easier to do this with nozzle door closed.
- Attach rod end to rod (See Fig. 5 next page).
- Attach nozzle door rod to the lever with nozzle door closed and lever in hose kit position. *NOTE:* Check to see that the nozzle door opens and closes all the way (see page 15). Tighten or loosen the rod end (item 164) for any adjustments. (See Fig. 4 and 5 next page)
- Install cable ty wraps.
- Reconnect spark plug wire.
- Attach the bag. (See Fig. 7)

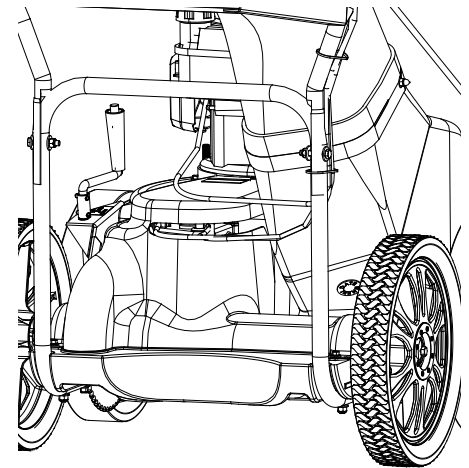


Fig. 1

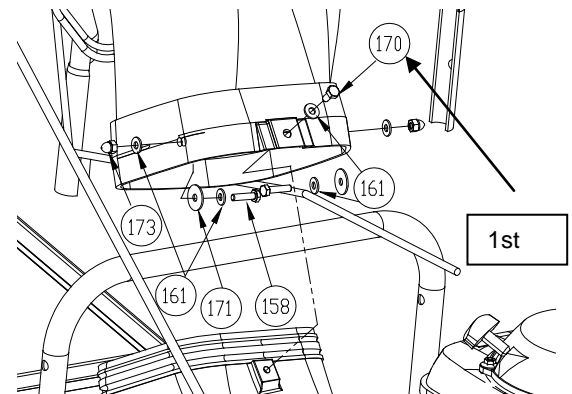


Fig. 2

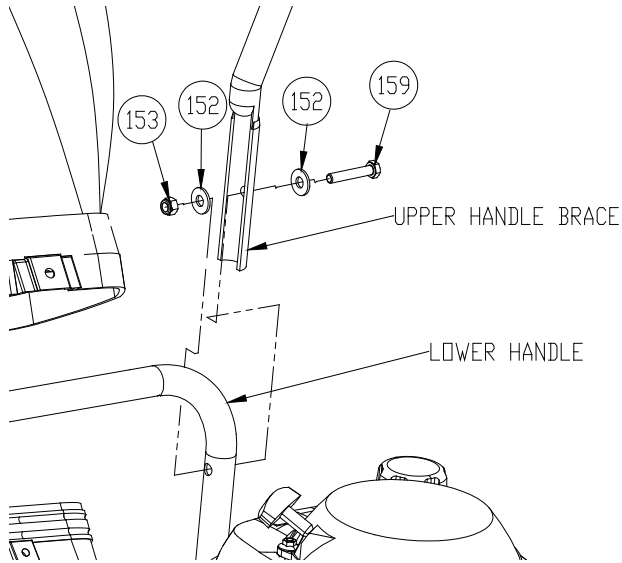


Fig. 3

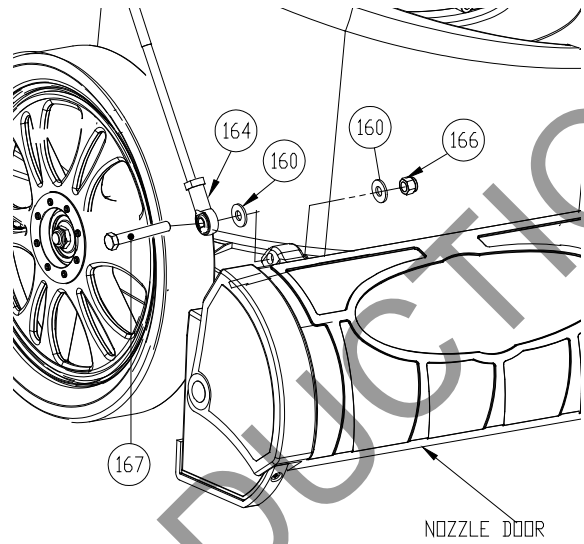


Fig. 4

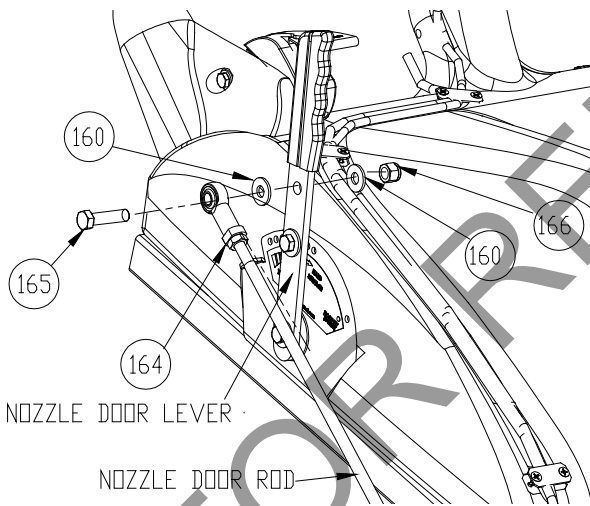


Fig. 5

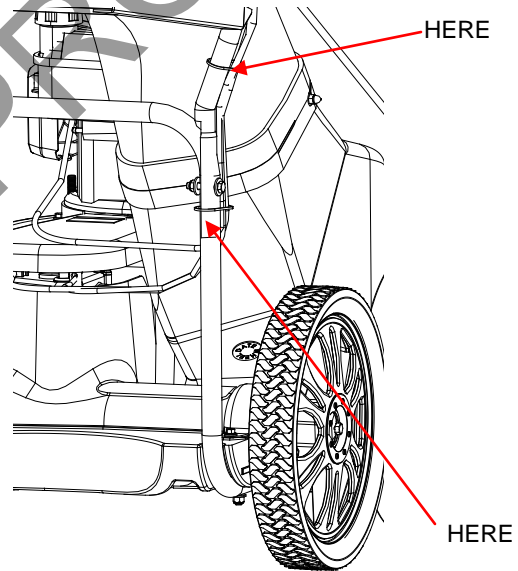


Fig. 6

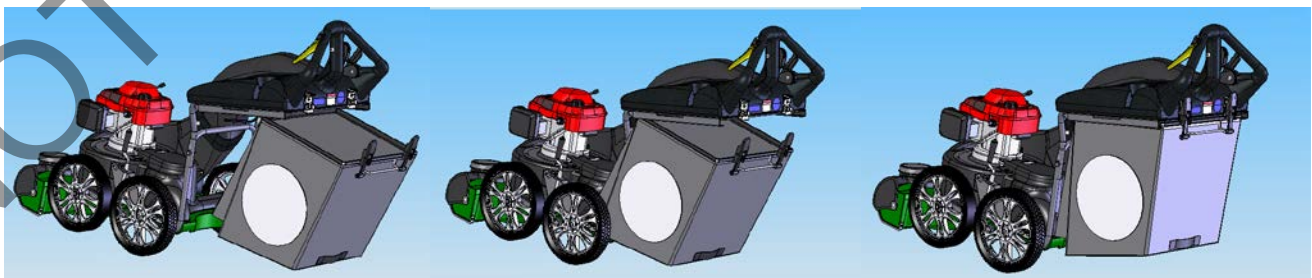


Fig. 7



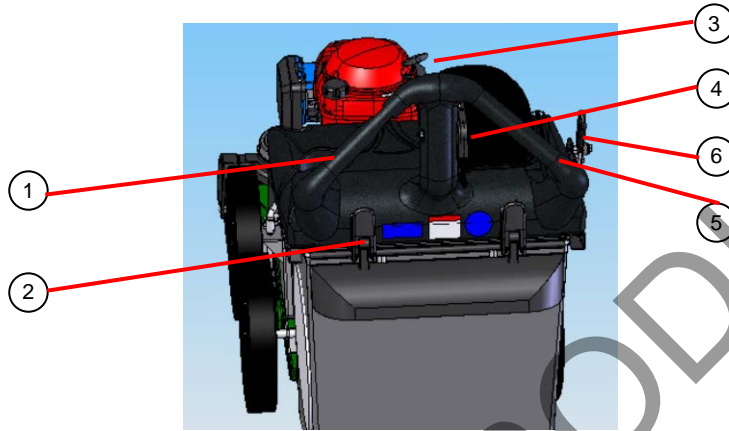


## OPERATION

This vacuum is designed for picking up trash, organic material and other similar debris. It should not be used for other purposes than what is intended.

### OPERATOR CONTROLS

The operator's position is at the rear of the machine between the handlebars. The operator should STAND in a position to allow both handlebars to be grasped firmly, which allows sufficient leverage to steer the machine. Operator's controls are shown below.



Operator Control Locations

- 1 Drive Clutch Lever
- 2 Bag Latch
- 3 Pull Starter
- 4 Throttle Control
- 5 Drive Shifter Control
- 6 Nozzle Door Adjuster

### STARTING

**CHECK** engine oil level before operating machine.

**DO NOT START** equipment without the debris bag in place.

1. Place equipment on a level, firm surface that is free of rocks or other debris.
2. Place throttle in START position.
3. Secure the unit with left hand at the handle then pull starter rope with right hand to start engine. **NOTE:** Pull starter cord slowly until resistance is felt. Then pull cord rapidly to avoid kickback.
4. Move throttle control back to FAST position and allow engine to reach correct operating speed.
5. **For Electric models:** Set the throttle to the fast position, then pull up and push forward on the start switch. Choke if needed.



Fig. 8

### SHUT DOWN

1. Release the drive clutch lever to disengage the drive.
2. Pull the throttle control all the way back to the STOP position.

Secure unit at the handle with left hand during start.

On Electric models only.



Pull rope starter with right hand.

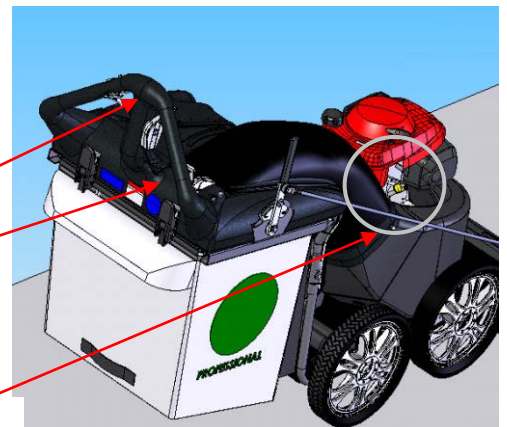


Fig. 9



## VACUUM NOZZLE HEIGHT ADJUSTMENT

**For maximum pickup:** Adjust nozzle height as close to debris as possible, but without blocking airflow into the nozzle. **NOTE:** Never bury nozzle into debris. The vacuum nozzle is raised and lowered by turning the crank handle clockwise and counter-clockwise. (See Fig. 10)

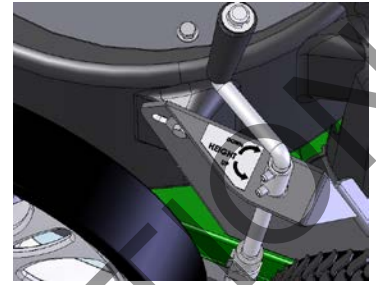


Fig. 10

## VACUUM NOZZLE DOOR ADJUSTMENT

The vacuum nozzle door adjusts for the maximum performance under various applications.

- With the handle fully back the nozzle is fully opened. This is ideal for turf application. (See Fig. 11)
- For hard surface applications, set the handle midway. (See Fig. 12)
- Close nozzle for use with the Optional Hose Kit (P/N 840116). This adjustment is ideal to use with the Hose Kit. (See Fig. 13)



Fig. 11



Fig. 12



Fig. 13

## VACUUMING OPERATION

This machine is designed for vacuuming leaves, grass clippings, and other types of organic litter. Debris mixed with cans, bottles, and small amounts of sand can be vacuumed; however, it is not this machine's primary purpose. Vacuuming cans, bottles, and sand will affect the longevity of your machine. In dusty conditions it may be necessary to purchase Felt Bag Kit (P/N 840022).

Do not operate if excessive vibration occurs. If excessive vibration occurs, shut engine off immediately and check for damaged or worn impeller, loose impeller bolt, loose impeller key, loose engine or lodged foreign objects. Note: See parts list for proper impeller bolt torque specifications. (See page 13 Impeller removal).

1. Move shift lever (right side) to correct position (1, 2, or 3) for desired gear. (See Fig. 14)
2. Squeeze the drive clutch lever against the handle to engage the drive. (See Fig. 15)

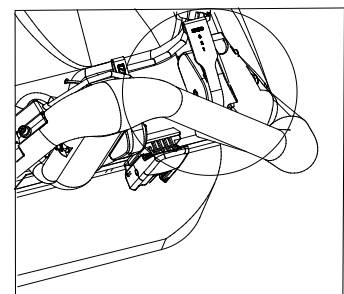


Fig. 14

## CLEARING A CLOGGED NOZZLE

**⚠ DISCONNECT** spark plug wire before servicing unit.

1. Shut engine off and wait for impeller to stop completely.
2. Disconnect spark plug wire.
3. Wearing durable gloves, remove clog. Caution: clog may contain sharp materials.
4. Reconnect spark plug wire.

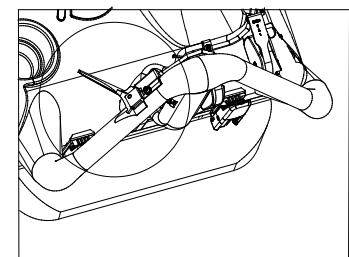


Fig. 15





## DEBRIS BAG

Debris bags are normal replaceable wear items.

Bag liners are available for use in various conditions where debris will be vacuumed. (See Bag Liner Accessories shown on pg 1).

**MV650SPHDS Only** – The dust sock provided will trap dust when vacuuming up **dry debris only**. The dust sock will need to be removed periodically and the dust will need to be dumped out as it will accumulate over time. The dust sock can be easily removed and reattached by separating it from the Velcro strip on the bag underneath.

**DO NOT** place bag on or near hot surface, such as engine.

Be sure engine has come to a complete stop before removing or emptying bag!

### \*\*\*\*\*TIPS\*\*\*\*\*

Frequently empty debris to prevent bag overloading with more weight than you can lift.

Many vacuums are used where dust is mixed with trash. Your unit can intermittently vacuum in dusty areas. However, following these rules will help maintain your machine's ability to vacuum in dusty conditions:

- Run machine at idle to quarter throttle.
- Machine or pressure-wash debris bag if normal cleaning does not fully clean bag. Bag should be thoroughly dry before use.

Having one or more spare bags (P/N 840189) is a good way to reduce down time while dirty bags are being cleaned.

Felt Bag (P/N 840194) accessory is great when used in dusty conditions.

## DUST SOCK CARE AND MAINTENANCE (MV650SPHDS only)

**Purpose:** The dust sock acts as a secondary filter lowering the amount of dust that escapes the bag.

Dust socks are to be used in dry and dusty conditions **ONLY**. Using the dust sock in damp or wet conditions may damage the dust sock and decrease the effectiveness of the filter.

The dust sock may be installed by simply attaching the mating Velcro strips between the bag and the dust sock. Over time the dust sock will begin to fill with dust during use. Periodically remove the dust sock, empty the loose dust out and clean the sock. For a light clean, simply shake the sock, for a deep clean, see below. To remove the sock, simply separate the Velcro.

### Dust Sock Care Information:



**DO NOT STRIKE THE BAG WITH OR AGAINST OBJECTS**



**DO NOT SNAG THE BAG**



**LIGHTLY CLEAN WITH COMPRESSED AIR ONLY, FROM THE OUTSIDE IN. KEEP THE NOZZLE 6-12 INCHES FROM FABRIC**



**DO NOT GET WET**

Dust Socks are normal replaceable wear items. Replacement P/N 840261



## MAINTENANCE

### PERIODIC MAINTENANCE

Periodic maintenance should be performed at the following intervals:

Maintenance Operation	Every Use	Daily or Every 5 Hours	Every 25 Hours	Every 50 Hours	Every 100-150 Hours
Inspect for worn or damaged parts	•				
Check for excessive vibration		•			
Inspect for loose parts		•			
Clean debris bag	•				
Lubricate clutch control lever. <i>NOTE: Use white lithium grease or equivalent. (See Fig. 16)</i>			•		
Lubricate height adjuster. (See Fig. 17)			•		
Check drive clutch cable tension				•	
Replace drive belts					•

Apply lubricant on the zinc die cast barrel.

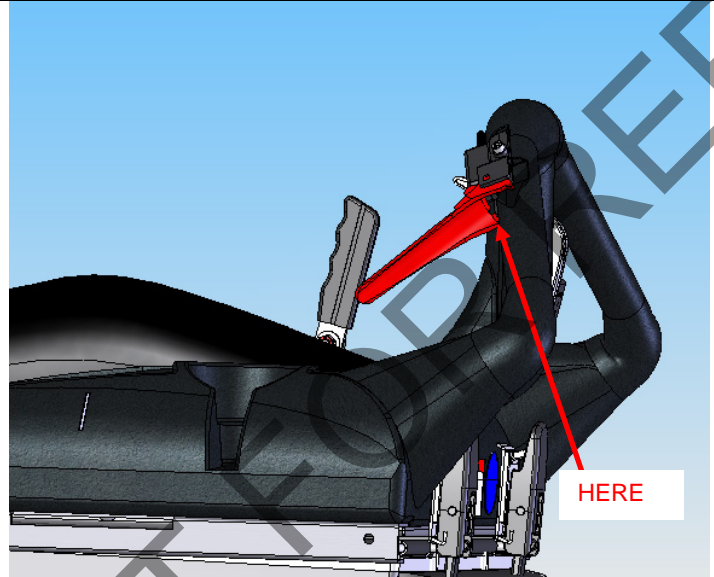


Fig. 16

Apply lubricant on the thread.

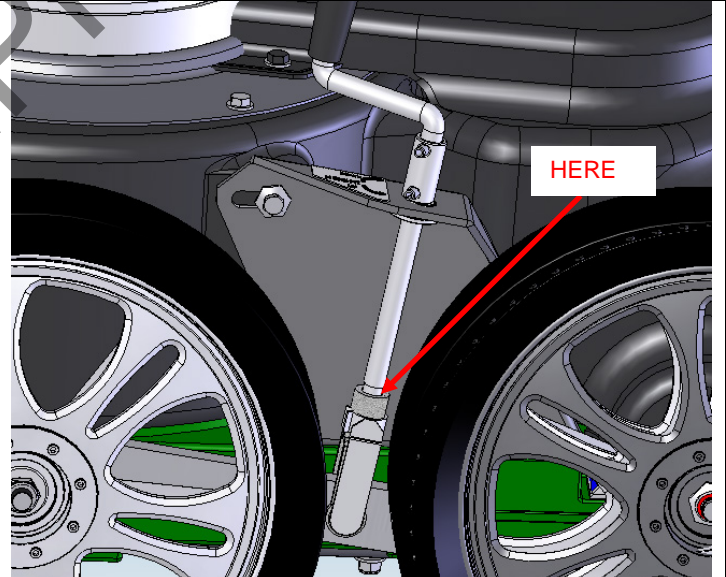



Fig. 17


### COMMON REPLACEMENT PARTS

- Bag; P/N 840189 Original Equipment Replacement Bag.
- (MV650SPHDS) Bag P/N 840260
- (MV650SPHDS) Dust sock P/N 840261
- Skid; P/N 840041 Nozzle Wear Guard Skid.
- Drive Belt; P/N 840066 Original Equipment Replacement Belt.





### IMPELLER REMOVAL


  **READ** all safety instructions before servicing unit.

 **DISCONNECT** spark plug wire before servicing unit.

1. Wait for engine to cool and disconnect spark plug.
2. Drain fuel and oil from the engine.
3. Remove belt cover by removing 5 screws.
4. Detach drive belt from the transmission pulley by rotating the transmission assembly to relieve belt tension.
5. Remove engine, impeller and mounting plate by removing bolts around outside of housing.
6. Leaving engine fastened to plate, remove impeller bolt and lock washer and slide impeller off crankshaft ( A puller may be required). **CAUTION:** Do not drop impeller.
7. If impeller does not slide off crankshaft, place two crowbars between impeller and housing on opposite sides. Pry impeller away from engine until it loosens. Using a penetrating oil can help loosen a stuck impeller.
8. If the impeller cannot be loosened, obtain a 1" (25.4mm) longer bolt of the same diameter and thread type as the impeller bolt. Invert engine and impeller and support engine above ground to prevent recoil damage. Thread longer bolt by hand into the crankshaft until bolt bottoms. Using a suitable gear or wheel puller against the bolt head and the impeller back-plate (near the blades), remove impeller from shaft.
9. To reinstall impeller, use a new impeller bolt and lockwasher
10. Tighten impeller bolt. Torque impeller bolt to 33-38 Ft. Lbs. (45-52 N.m).
11. Reinstall engine, impeller, and mounting plate onto housing in reverse order of removal.
12. Before connecting spark plug wire, slowly pull engine starting rope to insure that impeller rotates freely.
13. Reconnect spark plug wire.

### DRIVE CLUTCH CABLE ADJUSTMENT

  **READ** all safety instructions before servicing unit.

 **DISCONNECT** spark plug wire before servicing unit.

1. Wait for engine to cool and disconnect spark plug.
2. Engage the clutch lever then pull the unit back until it stops freewheeling. The clutch lever should engage around 2 5/16" of travel or 4 inches from tip of lever to handle.
3. Tighten or loosen adjuster nut next to the clutch lever until drive engages at 4" from handle. (See *Fig. 19* next page)
4. Holding the adjuster nut in place with one wrench tighten cable lock nut firmly.
5. Readjust as needed.
6. Reconnect spark plug.
7. Test run unit to insure proper operation after this or any other maintenance procedure.
8. If clutch still will not engage at 4" from handle, remove guard retaining screws and guard.
9. Measure the amount of spring stretch. Spring should measure 1 1/8" when engaged (Lever 4" from handle). (See *Fig. 18* next page.)
10. Release clutch lever and then move it to engagement position again and hold it, check the spring length to assure it stayed in adjustment.
11. Re-install guard and fasteners.

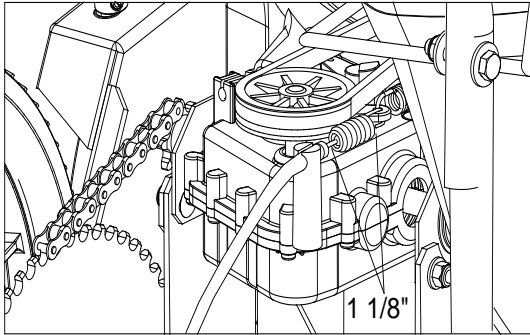


Fig. 18

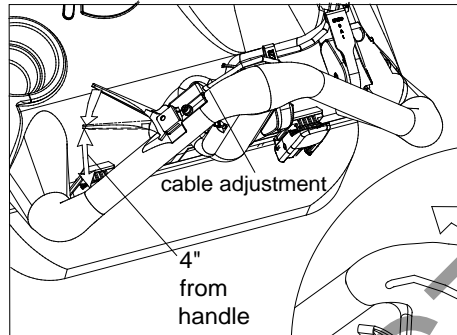
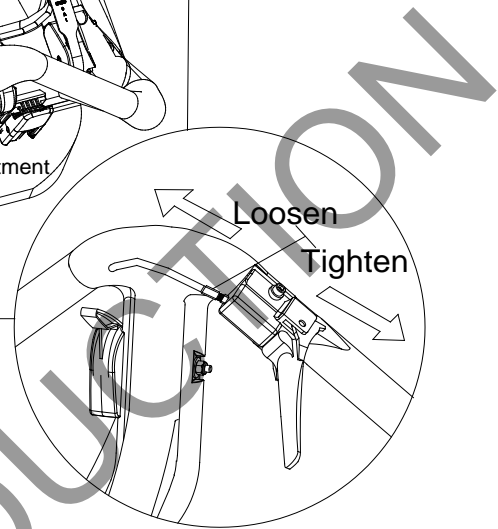


Fig. 19



**DRIVE BELT REMOVAL AND REPLACEMENT**

**READ** all safety instructions before servicing unit.

**DISCONNECT** spark plug wire before servicing unit.

1. Wait for engine to cool completely and disconnect spark plug.
2. Remove guard fasteners and guard.
3. Remove throttle control cable from engine.
4. Unplug wiring harness wire at engine.
5. Tilt transmission input pulley toward engine and remove the belt by pulling it upward.
6. Remove all six screws fastening the engine base plate to the housing.
7. Lift engine assembly from housing.
8. Slide belt inward under the engine and off downward around impeller.
9. Install new belt in reverse order of belt removal. *NOTE:* before placing new belt on transmission pulley look under the engine to insure the belt is properly in the groove of the engine pulley.
10. Install engine assembly in reverse order of removal.
11. Reconnect the spark plug

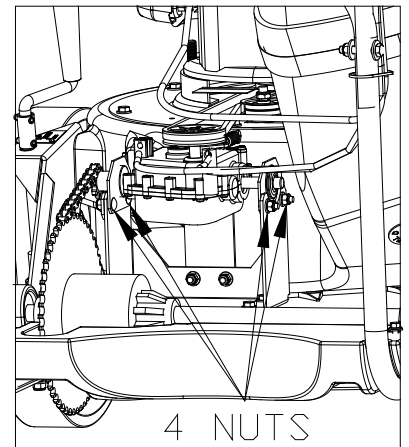


Fig. 20

**INSTALLING NEW DRIVE CHAIN/ALIGNMENT/TENSION**

**READ** all safety instructions before servicing unit.

**DISCONNECT** spark plug wire before servicing unit.

Allow the engine to cool completely and disconnect the spark plug.

1. Unfasten and remove the guard.
2. Rotate left rear wheel to bring the chain "master link" into view on the axle sprocket.
3. Using the needle nose pliers carefully remove master link retaining spring clip.
4. Slide the master link from the chain and remove the chain.
5. Thread the new chain onto the sprockets, place the ends of the chain on the axle sprocket, this makes it easier to hold the chain in place when you slide the new master link in place.
6. Install the new master link and **CAREFULLY** install the retaining clip.
7. Rotate left rear wheel to find the location where the chain is tightest (there are always slight variations in the sprockets that make the chain tighter at places in its rotation).

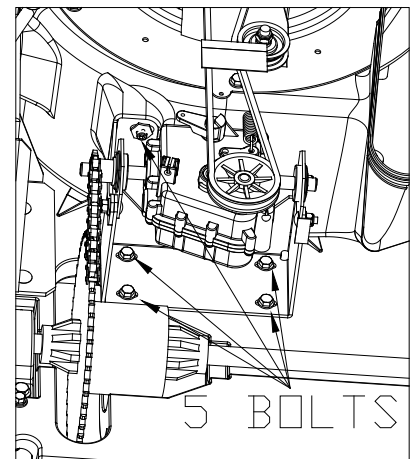


Fig. 21

Continued next page





8. Rotate the axle several times and listen for "popping" or "clacking". This indicates too much tension on the chain or misalignment of the chain. Skip to Step 12 if no "popping" or "crackling" occurs.

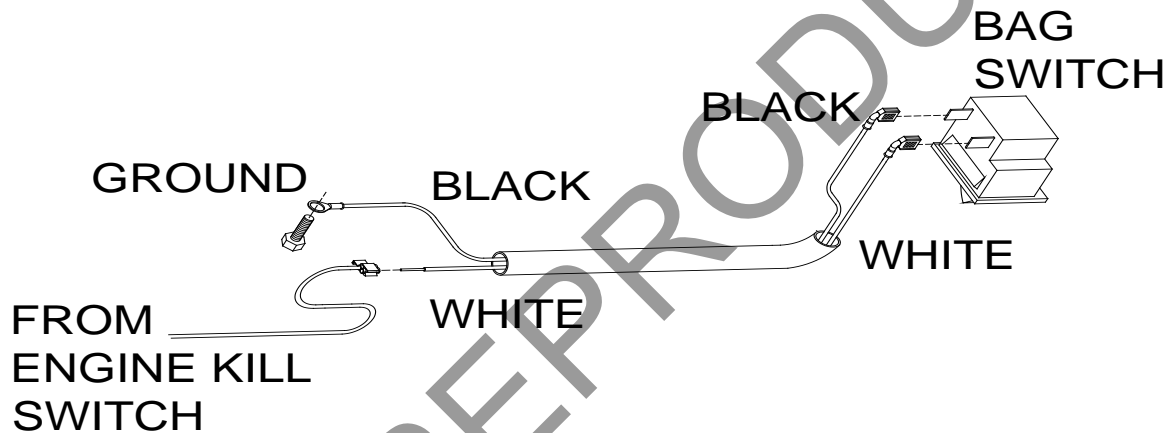
### Improper Chain Tension

9. At the point where the chain is tightest, check the chain for  $\frac{1}{4}$ " to  $\frac{1}{2}$ " total slack halfway between the axle sprocket and the transmission sprocket. Skip to Step 11 if the deflection is correct.
10. Loosen 4 nuts holding the bearing bracket (see Fig. 20, previous page) slide it very slightly forward to tighten the chain or slide backward to loosen. Tighten 4 nuts back then check the chain deflection. Repeat this step if necessary.

### Improper Chain Alignment

11. Loosen 5 bolts securing the drive system (see Fig 21, previous page). Slide it left or right then check the alignment using straight edge. Tighten 5 bolts then repeat Step 8.
12. Reinstall the guard and all of its fasteners.
13. Reconnect the spark plug.

### WIRING DIAGRAMS



Bag Switch Circuit Schematic Diagram

### Battery Care (For Electric-Starting Models)

Proper care can extend the life of a battery. Follow these recommendations to ensure your battery's best performance and long life:

- Do not allow the battery charge to get too low. If the machine is not used, charge the battery every 4 – 6 weeks. Operate the engine for at least 45 minutes to maintain proper battery charge.
- Store an unused battery in a dry area that does not freeze.
- Do not charge an already charged battery. In theory, you cannot overcharge our battery with a trickle charger; however, when a battery is fully charged and the charger is still on, it generates heat that could be harmful to the battery. A fully charged battery will read 12V-13.2V with a voltmeter.
- Do not continue to crank your engine when the battery charge is low.

### Charging the Battery

Operate the engine for at least 45 minutes to maintain proper battery charge. If the battery loses its charge, you will need to use a trickle charger to recharge it. **Caution:** The charger should have an output of 12 volts at no more than 2 amps. Using a charger with higher amps will cause significant damage to the battery.

- At 1 amp, the battery may need charging for as long as 48 hours.
- At 2 amps, the battery may need charging for as long as 24 hours.

**NOTE:** Using the Recoil Starter and then running the engine will not recharge a dead or significantly discharged battery.

**When you are finished charging the battery, disconnect the charger from the outlet first, and then disconnect the battery charger wires from the battery. If you leave the battery charger wires connected to the battery, the battery will discharge itself back into the charger.**





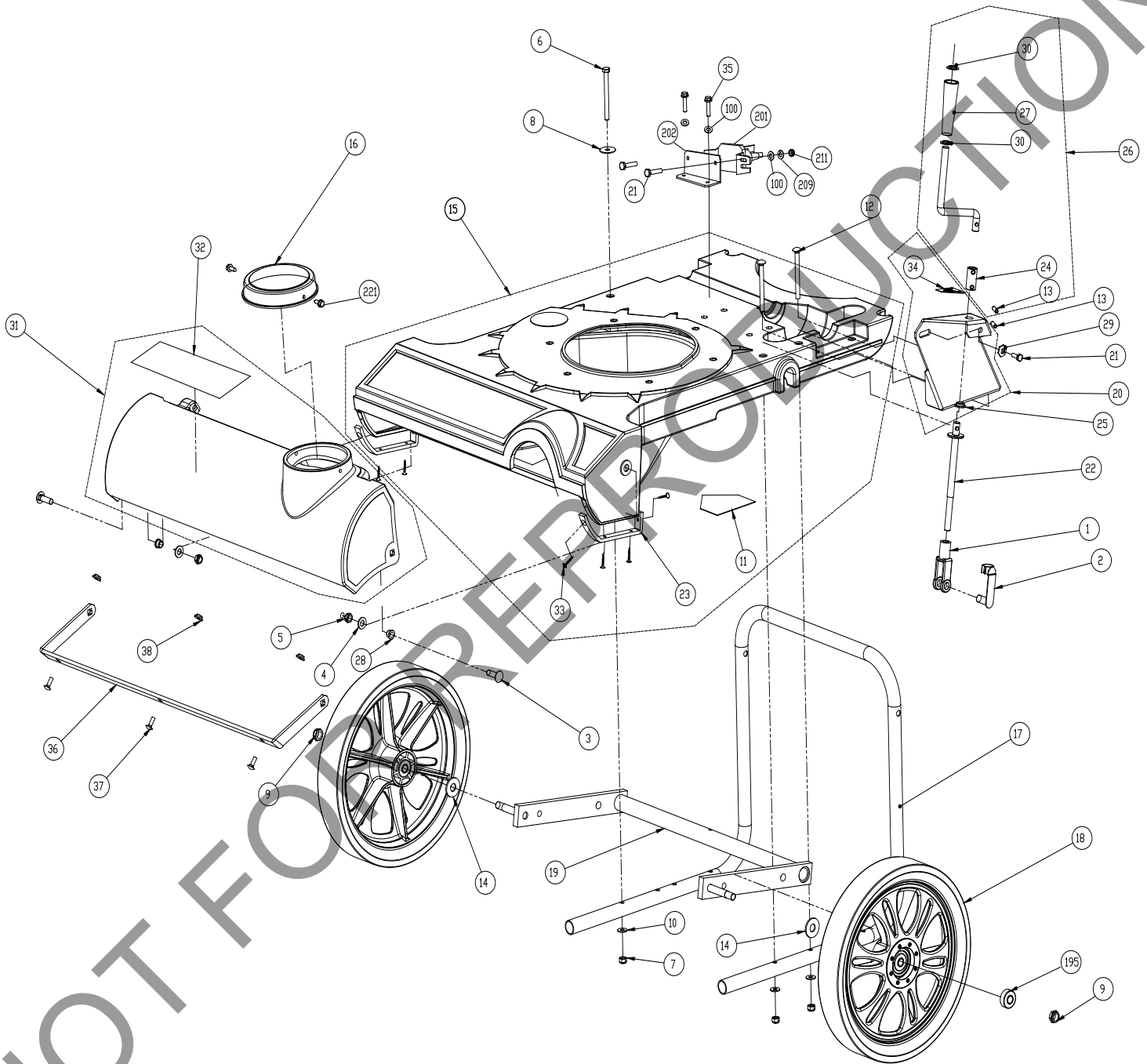
## TROUBLESHOOTING

Problem	Possible Cause	Solution
Will not vacuum or has poor vacuum performance	Dirty or full debris bag or filter. Nozzle height set too high or too low. Hose kit cap missing. Clogged nozzle or exhaust. Excessive quantity of debris.	Clean debris bag and filter. Shake bag clean or wash. Adjust nozzle height (see page 8). Check for hose kit cap. Unclog nozzle or exhaust (see page 8). Allow air to feed with debris.
Abnormal vibration	Loose or out of balance impeller. Loose engine.	Check impeller and replace if required. Check engine.
Engine will not start	Throttle in off position. Engine not in full choke position.  Out of gasoline or bad, old gasoline. Spark Plug wire disconnected. Gas valve off. Dirty air cleaner.  Safety Interlock disengaged on bag plate.	Check throttle control (see page 7). Check throttle, choke position (see page 7).  Check gasoline. Connect spark plug wire. Turn on gas valve. Clean or replace air cleaner. Contact a qualified service person. Latch the bag properly or check the bag rod to see if it is bent.
Engine is locked, will not pull over	Impeller plugged or clogged.  Engine problem.	Remove debris (see page 8).  Contact an engine servicing dealer for engine problems.
No self-propelling	Drive clutch not engaged. Transmission not in gear.  Drive belt worn or broken. Drive clutch cable out of adjustment or broken. Spring tension too loose. Drive chain off the sprocket.	Engage the drive clutch lever. Check transmission shift control (see page 8).  Check the drive belt. Check the drive clutch cable (see page 11).  Check spring length (see page 11). Check the drive chain (see page 13).
Self propelled drive will not release	Improper drive clutch cable adjustment or cable is kinked.	Check the drive clutch cable (see page 20).
Noisy or broken chain	No chain lubrication. Chain misalignment or tension.	Lubricate chain. Check the drive chain (see page 22).





MVSP NOZZLE PARTS DRAWING



Nozzle Assembly

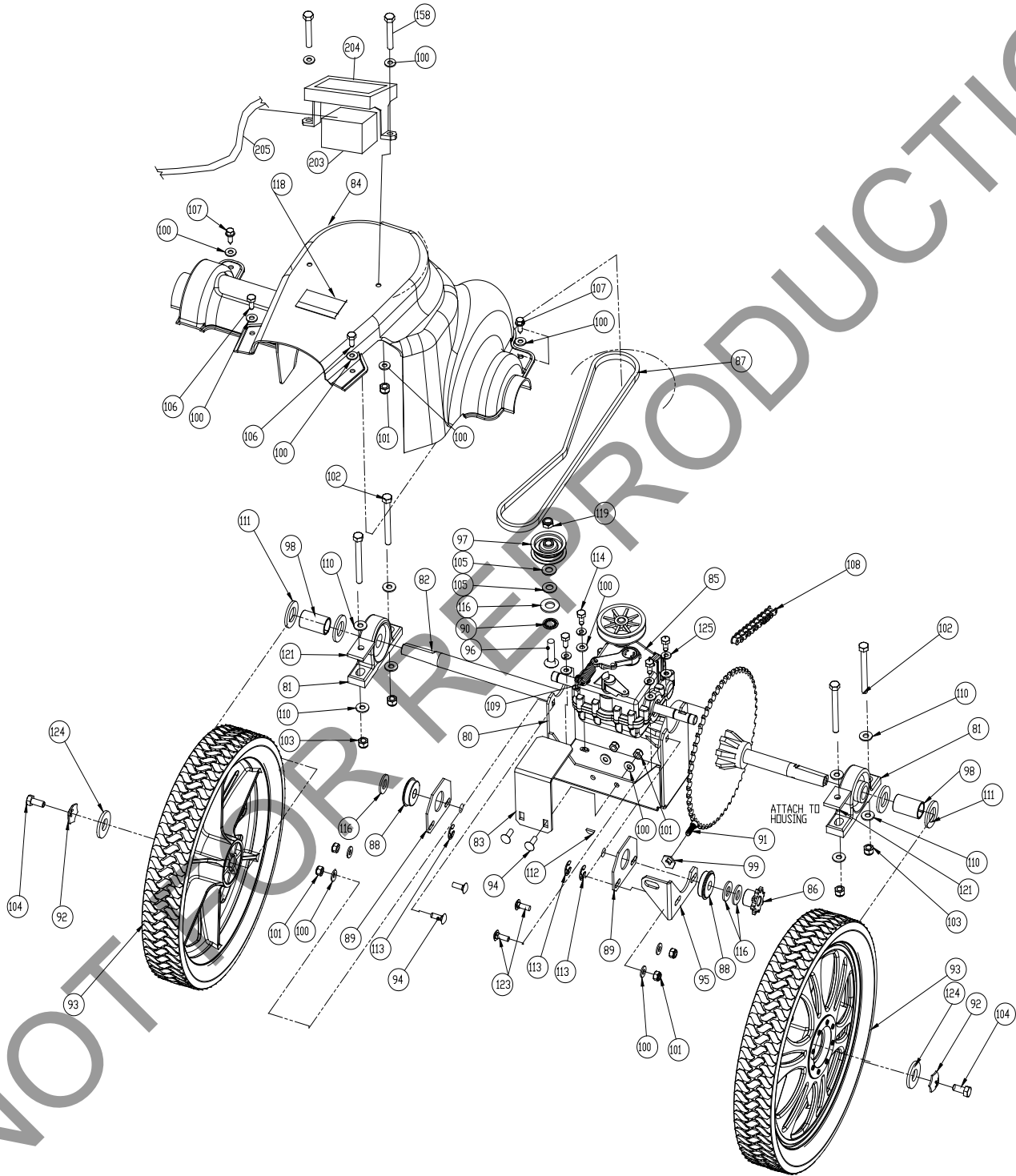


## MVSP NOZZLE PARTS LIST

ITEM NO.	PART NUMBER	DESCRIPTION	MV650SPH QTY.	MV601SPE QTY.	MV650SPHDS QTY.
1	350127	YOKE 1/2 - 20	1	1	1
2	350128	PIN YOKE 1/2"	1	1	1
3	840243	SCREWCAP BUTTON HEAD 3/8"-16 X 1 1/4" PL	2	2	2
4	8172009	WASHER 3/8" SAE ZP	2	2	2
5	8161042	NUT LOCK 3/8-16 LT WT THIN ZP	2	2	2
6	8041038	SCREWCAP 5/16 -18 x 3 1/2	1	1	1
7	8160002	NYLON INSERT LOCKNUT 5/16-18 UNC	3	3	3
8	8172020	WASHER FLAT FENDER 5/16	1	1	1
9	8161044	NYLON INSERT LOCKNUT 1/2-13 UNC THIN	2	2	2
10	8171002	WASHER 1/4" FC ZP	3	3	3
11	400424	LABEL WARNING OPEI	1	1	1
12	8024050	BOLTCARRIAGE 5/16-18X3 1/2	2	2	2
13	520156	ROLL PIN 1/4 X 1 LONG	2	2	2
14	8172011	WASHER 1/2" SAE ZP	2	2	2
15	840118	NOZZLE MV VAC ASSEMBLY	1	1	1
16	840019	CAP 5 IN HOSE VAC	1	1	1
17	840024	HANDLE LOWER MV VAC	1	1	1
18	840101	WHEEL 14" ASSEMBLY WITH BEARING AND TIRE	2	2	2
19	840104	AXLE FRONT WA MV VAC	1	1	1
20	840155	BRACKET HGT ADJ WA W/LABEL MV VAC	1	1	1
21	8041004	SCREWCAP 1/4 - 20 x 0.75 HWH	1	3	1
22	840034	LINK HGT ADJ MV VAC	1	1	1
23	840041	BRACKET NOZZLE WEAR GUARD MV VAC	2	2	2
24	840029	ROD CONNECT HGT ADJ	1	1	1
25	840073	BUSHING 0.5" ID 0.625 OD X X 0.250	1	1	1
26	840119	ROD HANDLE CRANK ASSEMBLY	1	1	1
27	840057	HANDLE CRANK 0.5 ID X 3.72 LONG	1	1	1
28	840078	BUSHING 3/8" ID 1/2" OD X 3/8" LONG	2	2	2
29	840158	WASHER LOCK 1/4" TWISTED TOOTH	1	1	1
30	840207	NUT PAL 0.5" ID x 0.75 OD	2	2	2
31	840135	NOZZLE COVER MV VAC	1	1	1
32	840259	LABEL MV BADGING	1	1	1
33	840035	SCREW PLASTIC 5/8	8	8	8
34	840054	LABEL HGT ADJ MV VAC	1	1	1
35	8122082	SCREW SELF-TAP 5/16 NC X 3/4 HEX	-	4	-
36	840088	BRACKET NOZZLE COVER REINFORMENT MV	1	1	1
37	8024021	BOLT CARRIAGE 1/4-20X0.75	3	3	3
38	900455	NUT FLANGE 1/4-20	3	3	3
100	8172007	WASHER 1/4" SAE ZP	-	4	-
195	840017	MV WHEEL BEARING	2	2	2
201	840117	SOLENOID ELEC START	-	1	-
202	840198	BRACKET SOLENOID MOUNT MV	-	1	-
209	8181007	WASHER LOCK 1/4" EXT TOOTH	-	2	-
211	8142001	NUT 1/4" FIN HEX ZP	-	2	-
221	840082	SCREW PLASTITE 1/4"-10 X 3/4"	2	2	2



MVSP TRANS PARTS DRAWING



Drive /Rear Axle Assembly



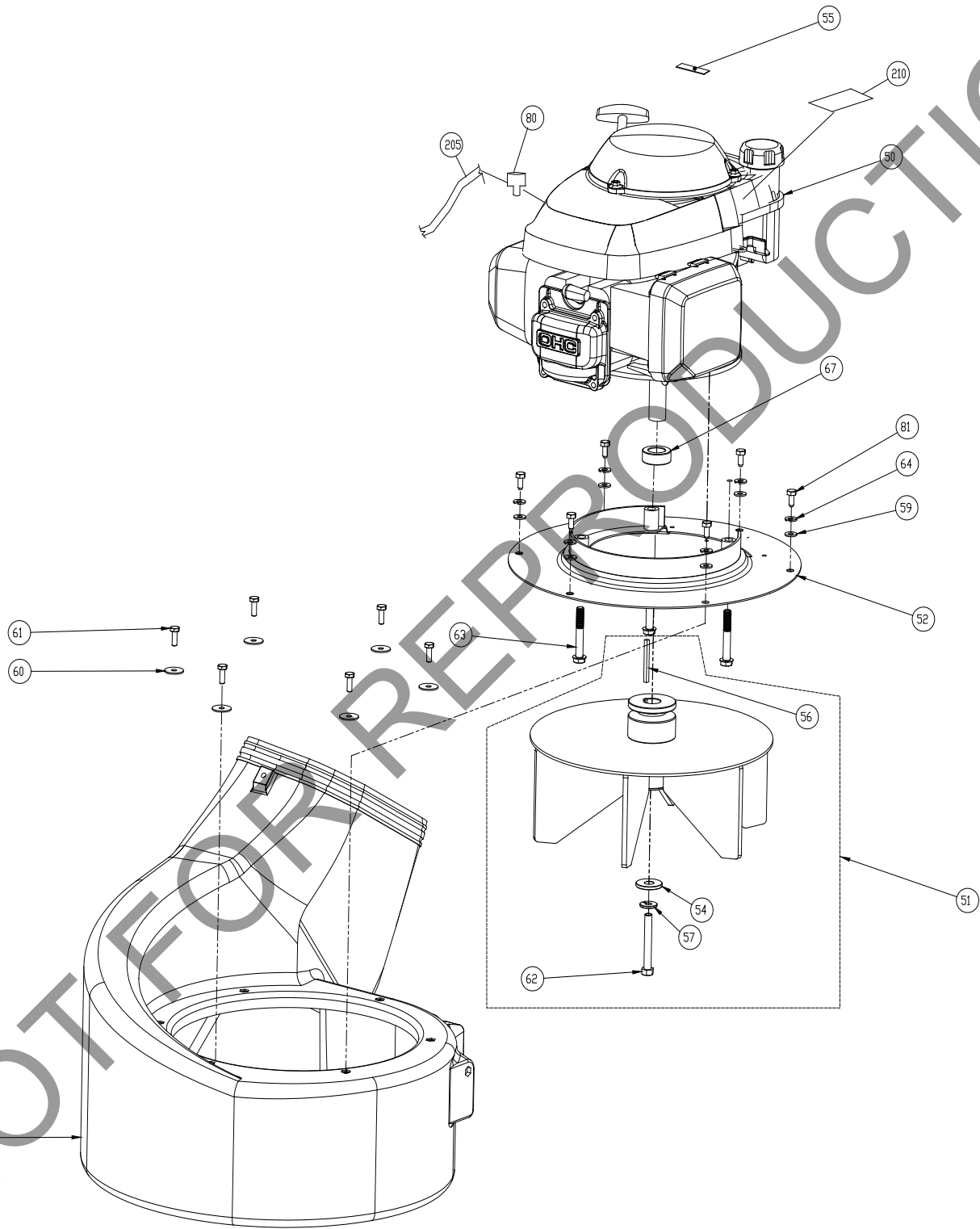


## MVSP TRANS PARTS LIST

ITEM NO.	PART NUMBER	DESCRIPTION	MV650SPH QTY.	MV601SPE QTY.	MV650SPHDS QTY.
80	840110	BRACKET TRANS MOUNT WA MV VAC	1	1	1
81	350133	BEARING 3/4" W/PILLOW BLOCK	2	2	2
82	840009	DIFFERENTIAL 54 TOOTH D-CUT	1	1	1
83	840086	BRACKET TRANS ANTI ROTATION MV	1	1	1
84	840010	GUARD DRIVE SP VAC	1	1	1
85	840085	TRANSMISSION 3 SPD GENERAL TRANS.	1	1	1
86	510126	SPROCKET 8 TOOTH	1	1	1
87	840066	BELT 3L34	1	1	1
88	510125	BEARING 1/2" CLIP	2	2	2
89	840011	PLATE TRANS BEARING MOUNT MV VAC	2	2	2
90	520025	WASHER LOCK INTERNAL TOOTH 1/2"	1	1	1
91	8041004	1/4 - 20 x 0.75 HWH	1	1	1
92	430298	WASHER 5/16 LOCK TWISTED TOOTH	2	2	2
93	840102	WHEEL 14" ASSEMBLY DRIVE MV VAC	2	2	2
94	8024021	BOLT CARRIAGE 1/4-20X0.75	4	4	4
95	840028	BRACKET TRANS REINFORCE MV VAC	1	1	1
96	8024060	CARRIAGE BOLT 3/8 - 16 X 1 1/2	1	1	1
97	840087	PULLEY IDLER 2" OD X 3/8" ID	1	1	1
98	840027	TUBE 0.75 ID WHEEL SPACER SP MV VAC	1	1	1
99	840158	WASHER LOCK 1/4 TWISTED TOOTH	1	1	1
100	8172007	WASHER 1/4" SAE ZP	14	14	14
101	8160001	NYLON INSERT LOCKNUT 1/4-20 UNC	6	6	6
102	8041036	SCREWCAP 5/16"-18X3" HCS ZP	4	4	4
103	8160002	NYLON INSERT LOCKNUT 5/16-18 UNC	4	4	4
104	8041026	SCREWCAP 5/16"-18 X 3/4" LONG ZP	2	2	2
105	8172009	WASHER 3/8" SAE ZP	2	2	2
106	890359	1/4 - 20 x 5/8 HWH	2	2	2
107	8122082	SCREW SELF-TAP 5/16 NC X 3/4 HEX	2	2	2
108	840072	CHAIN #41 X 42 PITCH	1	1	1
109	800242	SPRING TENSION	1	1	1
110	8171002	WASHER 1/4" FC ZP	8	8	8
111	8172015	WASHER 3/4" SAE ZP	2-6	2-6	2-6
112	510180	WOODRUFF KEY 1/8 X 1/2	1	1	1
113	350146	CLIP 1/2"	3	3	3
114	840213	SCREWCAP 1/4-20 X 5/8 GR. 5	4	4	4
116	8171006	WASHER 1/2" FLAT CUT	3	3	3
118	900327	LABEL DANGER GUARD	1	1	1
119	8161042	NUT LOCK 3/8-16 LT WT THIN ZP	1	1	1
121	840188	BRACKET BEARING FIX	2	2	2
123	8024022	CARRIAGE BOLT 1/4 - 20 X 1 ZP	2	2	2
124	8172020	WASHER FENDER 5/16	2	2	2
125	8177010	SPLIT LOCK WASHER 1/4"	4	4	4
158	8041006	SCREWCAP 1/4"-20 X 1" HCS ZP	-	2	-
195	840017	MV WHEEL BEARING	2	2	2
203	840170	BATTERY 12 V	-	1	-
204	840095	BATTER HOLD DOWN	-	1	-
205	840228	CABLE HARNES ELECTRIC START ONE PIECE	-	1	-



MVSP ENGINE PARTS DRAWING



Engine Assembly

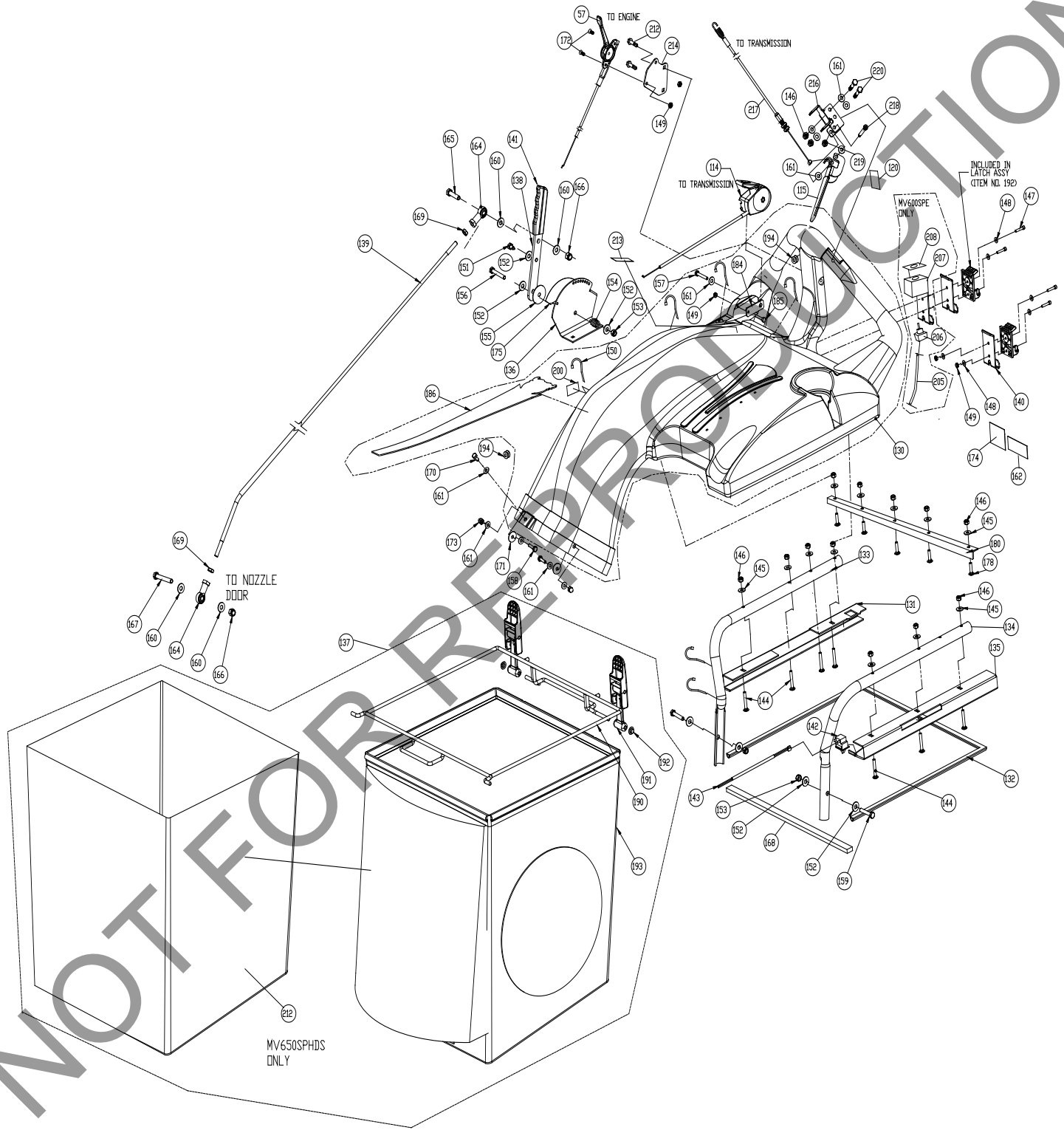


MVSP ENGINE PARTS LIST

ITEM NO.	PART NUMBER	DESCRIPTION	MV650SPH QTY.	MV601SPE QTY.	MV650SPHDS QTY.
50	840069	ENGINE HONDA 6.5 VERTICAL GSV190	1	-	1
	840277	ENGINE B&S PRO SERIES 875 ELEC START	-	1	-
51	840136	IMPELLER ASSEMBLY SP MV VAC	1	1	1
52	840107	PLATE TOP WA SP MV VAC	1	1	1
53	840205	HOUSING PLASTIC VAC	1	1	1
54	440153	WASHER 1.5 OD X .453 ID X .25 THK	1	1	1
56	9201087	SQ KEY 2.125 X .187	1	1	1
57	8177012	WASHER LOCK 3/8" ST MED	1	1	1
59	8172007	WASHER 1/4" SAE ZP	6	6	6
60	8172019	WASHER FENDER 1/4 ZP	6	6	6
61	8041004	SCREWCAP 1/4 - 20 x 0.75 HWH	6	6	6
62	790167	SCREWCAP 3/8-24X2 3/4" W/PATCH LOCK	1	1	1
63	900564	SCREWCAP 3/8"-16X2 1/2" TAPTITE	3	3	3
64	8177010	WASHER SPLIT LOCK 1/4"	6	6	6
67	840083	SPACER 1.50OD X .890ID X .5 THK	1	1	1
80	840215	TERMINAL 18-14 BLUE T-TAP	1	1	1
81	840213	SCREWCAP 1/4-20X5/8 GR. 5	6	6	6
205	840228	CABLE HARNESS ELECT START	-	1	-
210	100261	LABEL WARNING FUEL EN/SP	-	1	-



MVSP HOOD PARTS DRAWING



Hood Assembly



MVSP HOOD PARTS LIST

ITEM NO.	PART NUMBER	DESCRIPTION	MV650SPH QTY.	MV601SPE QTY.	MV650SPHDS QTY.
57	440013	CONTROL THROTTLE	1	1	1
114	840023	CONTROL SHIFT WESCON MV VAC	1	1	1
115	840265	HANDLE MV CLUTCH CABLE	1	1	1
120	500176	LABEL CLUTCH DRIVE	1	1	1
130	840141	HOOD ASSY W/ LABEL MV VAC	1	1	1
131	840153	BRACKET BAG CHANNEL RH W/SEAL MV VAC	1	1	1
132	840196	SEAL BAG MV VAC	1	1	1
133	840037	TUBE HANDLE BRACE RH MV VAC	1	1	1
134	840038	TUBE HANDLE BRACE LH MV VAC	1	1	1
135	840274	BRACKET BAG CHANNEL LH	1	1	1
136	840152	BRACKET NOZZLE DOOR ADJ W/LABEL MV VAC	1	1	1
137	840195	BAG ASSEMBLY MV VAC	1	1	1
138	840138	BAR LIFT NOZZLE DOOR W/ GRIP MV VAC	1	1	1
139	840061	ROD LIFT NOZZLE DOOR SP VAC	1	1	1
140	840062	PLATE BAG LATCH MV VAC	2	2	2
141	840191	GRIP LEVER LIFT	1	1	1
142	840058	SWITCH INTERLOCK VAC	1	1	1
143	840276	HARNESS WIRE ASSY MV VAC BAG SWITCH	1	-	1
	840275	WIRING HARNESS ELEC START MV	-	1	-
144	8024025	BOLT CARRIAGE 1/4-20 X 1.75	7	7	7
145	8171002	WASHER 1/4" FC ZP	12	12	12
146	8160001	NYLON INSERT LOCKNUT 1/4-20 UNC	14	14	14
147	520018	SCREW HEX HEAD #10-24 X 1"	4	4	4
148	8172005	WASHER #10 SAE ZP	8	8	8
149	8164005	NYLON INSERT LOCKNUT 10-24 UNC	4	4	4
150	900407	Ty-Wrap	6	6	6
151	610347	PIN SCREW 1/4-28	1	1	1
152	8171003	WASHER 5/16 FLATWASHER Z/P	7	7	7
153	8160002	NYLON INSERT LOCKNUT 5/16-18 UNC	3	3	3
154	610429	SPRING LEVER GZ	1	1	1
155	610348	FIBRE WASHER	1	1	1
156	8041032	SCREWCAP 1/4-20X2"	1	1	1
157	8041011	SCREWCAP 1/4"-20X2 1/4" ZP	1	1	1
158	8041006	SCREWCAP 1/4-20X1" ZP	2	2	2
159	8041031	SCREWCAP 5/16-18 X 1.75 ZP	2	2	2
160	8171004	WASHER 3/8 FC	4	4	4
161	8172007	WASHER 1/4" SAE ZP	12	12	12
162	100346	LABEL SAFETY PROTECT READ MANUAL	1	1	1
164	400886	ROD END BALL JOINT 3/8 NF	2	2	2
165	8041052	SCREW CAP 3/8-16X1 1/2 ZP	1	1	1
166	8160003	NYLON INSERT LOCKNUT 3/8-16 UNC	2	2	2
167	8041056	SCREWCAP 3/8"-16X2 1/2" ZP	1	1	1
168	840197	SEAL BAG FRONT HOOD 20.5 LONG	1	1	1
169	8149003	NUT REG 3/8-24 NF	2	2	2
170	8041004	SCREWCAP 1/4"-20X3/4" HCS ZP	1	1	1
171	8172019	WASHER FENDER 1/4 ZP	2	2	2
172	830514	SCREW MACH FLAT HD PHIL #10-24 HEX	2	2	2
173	840071	NUT ACORN 1/4-20	2	2	2
174	810736	LABEL DANGER FLYING DEBRIS	1	1	1
175	840080	LABEL NOZZLE DOOR MV VAC	1	1	1
178	8024021	BOLT CARRIAGE 1/4-20 X 3/4"	5	5	5
180	840214	BRACKET HOOD FRONT STRAIGHTENER	1	1	1
184	840180	PLATE SHIFT CONTROL ANTI ROT	1	1	1
185	8059140	SCREWCAP #10-24X1 1/4"	1	1	1
186	840179	LABEL HOOD DECAL	1	1	1

CONTINUED NEXT PAGE





## MVSP Owner's Manual

ITEM NO.	PART NUMBER	DESCRIPTION	MV650SPH QTY.	MV601SPE QTY.	MV650SPHDS QTY.
190	840040	ROD BAG WA MV VAC	1	1	1
191	840139	LATCH RUBBER ASSEMBLY MV VAC	2	2	-
	840016	LATCH RUBBER MV VAC	-	-	2
192	360203	PAL NUT 0.312	2	2	2
193	840189	BAG DEBRIS MV VAC	1	1	-
	840260	BAG DEBRIS GRAY KNIT MV VAC	-	-	1
194	840206	GROMMET RUBBER 5/8" OD X 3/8" ID	2	2	2
200	520116	LABEL MADE IN U.S.A.	1	1	1
205	840228	CABLE HARNESS ELECT START	-	1	-
206	500307	SWITCH	-	1	-
207	840096	BRACKET START SWITCH MV VAC	-	1	-
208	100262	LABEL START STOP EN/SP	-	1	1
212	840261	DUST SOCK MV	-	-	1
213	501314	LABEL THROTTLE BC	1	1	1
214	840267	PLATE MV THROTTLE CONTROL	1	1	1
215	840268	CABLE THROTTLE CONTROL 52"	1	-	1
	840272	CABLE THROTTLE CONTROL 72"	-	1	-
216	840264	BRACKET MV CABLE MOUNT WA	1	1	1
217	840266-S	CABLE DRIVE MV CLUTCH	1	1	1
218	350178	BOLT SHOULDER 1/4" X 1 3/4"	1	1	1
219	8155007	NUT LOCK #10-24 HEX	1	1	1
220	8041009	SCREWCAP 1/4-20 1 3/4 HCS ZP	2	2	2
221	840082	SCREW PLASTITE 1/4"-10 X 3/4" HWH ZP	2	2	2



# MVSP Owner's Manual



en	English	fi	Suomi	lv	Latviešu	ru	Русский
bg	Български език	fr	Français	nl	Nederlands	sl	Slovenščina
cs	Čeština	el	Ελληνικά	no	Norsk	sk	Slovák
da	Dansk	hr	Hrvatski	pl	Polski	sv	Svenska
de	Deutsch	hu	Magyar	pt	Português	tr	Türkçe
es	Español	it	Italiano	ro	Română		
et	eesti keel	lt	Lietuvių				

en	EC Declaration of Conformity	el	Δήλωση συμμόρφωσης ΕΚ	pl	Deklaracja zgodności UE
bg	Декларация за съответствие с европейските стандарти	hu	EU Megfelelőségi nyilatkozat	pt	Declaração de Conformidade à CE
cs	ES Prohlášení o shodě	hr	EC Deklaracija o sukladnosti	ro	Declarație de conformitate C.E.
da	EC Overensstemmelseserklæring	it	Dichiarazione di conformità CE	ru	Заявление о соответствии стандартам и нормам ЕС
de	EG-Konformitätserklärung	lv	EB atbilstības deklarācija	sl	ES izjava o skladnosti
es	Declaración de Conformidad de la CE	nl	E.G. Conformiteitsverklaring	sk	Vyhľadanie o zhode
et	EÜ vastavustunnistus	no	CE konformitetserklæring	sv	EG-försäkran om överensstämmelse
fi	EC-vaatimustenmukaisuusvakuutus			tr	EC Uygunluk Deklarasyonu
fr	Déclaration de conformité CE				

en	Category	Vacuum	el	Κατηγορία	κενό	pl	Kategoria	Próżnia
bg	Категория	вакуум	hu	Kategória	vákuum	pt	Categoria	vácuo
cs	Kategorie	Vakuové	hr	Kategorija	Vakuum	ro	Categorie	vid
da	Kategori	vakuum	it	Categoria	vuoto	ru	Категория	вакуум
de	Kategorie	Vakuum	lv	Kategorija	Dulkių	sl	Kategorija	vakuumaska
es	Categoría	Aspiradora	nl	Categorie	vacuums	sk	Katégoria	vákuové
et	Katëgoria	vaakum	no	Kategori	vacuum	sv	Kategori	vakuum
fi	Kategoria	tyhjiö			tr	Kategori	Vakum	
fr	Catégorie	vide						

en	This is to certify that the products listed in this document meet the requirements of the European Community Law, and can carry the CE mark. These models comply with the following Directives and related Standards.
bg	Декларацията се издава в удостоверение на това, че изброените продукти съответстват на стандартите на правните норми на Европейския съюз и могат да носят знака CE. Моделите изпълняват директивите и техните стандарти, както следва.
cs	Tímto svizrujeme, že výroby uvedené v tomto dokladu splňují požadavky zákonů Evropského společenství a mohou být označeny značkou CE. Tyto modely splňují následující směrnice a související normy.
da	Det bekræftes hermed, at de produkter, der er nævnt i dette dokument, opfylder bestemmelserne i EU-lovgivningen og kan bære CE-mærkatet. Disse modeller er i overensstemmelse med følgende direktiver og relaterede standarder.
de	Hiermit wird bescheinigt, dass die in diesem Dokument aufgeführten Produkte mit den gesetzlichen Bestimmungen der Europäischen Gemeinschaft übereinstimmen und das CE-Zeichen tragen können. Diese Modelle erfüllen die folgenden Richtlinien sowie weitere anzuwendende Normen.
es	La presente certifica que los productos enumerados en este documento cumplen con los requerimientos de la Legislación de la Comunidad Europea, y que pueden portar la marca CE. Estos modelos cumplen con las siguientes Directrices y Estándares relacionados:
et	Kinnitame, et eespool nimetatud tooted vastavad Euroopa Ühenduse seadusandluse nõuetele ja kannavad CE-märgistust. Eespool nimetatud mudelid vastavad järgmistele direktiividele ja seotud standardile:
fi	Vakuutamme, että tässä asiakirjassa luetellut tuotteet täyttävät Euroopan Unionin lainsäädännön asettamat vaatimukset ja voi saada CE-merkinnän. Nämä mallit täyttävät seuraavien direktiivien ja niitä koskevien standardien vaatimukset.
fr	Nous déclarons par la présente que les produits mentionnés dans le document sont conformes à la législation de la Communauté européenne et peuvent porter le marquage CE. Ces modèles sont conformes aux directives suivantes et aux normes connexes :
el	Με την παρούσα δήλωση πιστοποιείται ότι τα προϊόντα που αναφέρονται στην παρούσα πλήρουν τις απαιτήσεις της Ευρωπαϊκής Κοινωνικής Νομοθεσίας και μπορούν να φέρουν το σήμα CE. Τα μοντέλα αυτά συμμορφώνονται με τις ακόλουθες Οδηγίες και τα σχετικά Πρότυπα.
hu	Ez annak tanúsítására szolgál, hogy a dokumentumban felsorolt termékek megfelelnek az Európai közösségi jog követelményeinek és viselheti a CE jelzést.
hr	Ovo je potvrda da proizvodi koji su navedeni u ovom dokumentu odgovaraju zakonima europske zajednice i da nose CE oznaku. Ovi modeli zadovoljavaju sljedeće direktive i odgovarajuće standarde.
it	Si certifica che i prodotti elencati nel presente documento soddisfano i requisiti della legislazione della Comunità Europea e possono recare il marchio CE. Questi modelli sono conformi alle seguenti norme e direttive:
lt	Šiuo patvirtiname kad šiame dokumente paminėti produktai atitinka Europos Bendrijos įstatymų reikalavimus ir jie gali būti pažymėti CE ženkle. Šie modeliai atitinka sekančias direktyvas ir standartus.
lv	Ar šo tiek apstiprināts, ka šajā dokumentā uzskaitītie izstrādājumi atbilst Eiropas Kopienas Likuma prasībām un var tikt marķēti ar emblēmu CE. Šie modeļi atbilst sekojošajām Direktīvām un attiecīgajām Normām.
nl	Hiermee wordt gecertificeerd dat de producten die in deze lijst staan opgesomd, voldoen aan de wettelijke voorschriften van de Europese Gemeenschap en mogen worden voorzien van de CE markering. Deze modellen voldoen aan de volgende richtlijnen en bijbehorende normen:
no	Dette sertifiserer at produktene som er nevnt i dette dokumentet oppfyller kravene som stilles av EU, og at de dermed kan CE-merkes. Disse modellene tilfredsstiller følgende direktiver og relaterte standarder:
pl	Niniejszym zaświadcza się, że produkty wymienione w niniejszym dokumencie spełniają wymogi Prawa Wspólnoty Europejskiej i mogą nosić oznakowanie CE. Modele te spełniają wymogi następujących dyrektyw i powiązanych norm.
pt	O presente documento certifica que os produtos listados neste documento atendem aos requisitos das Leis da Comunidade Europeia e podem levar a marca CE. Esses modelos estão de acordo com as seguintes diretivas e padrões relacionados.
ro	Prin prezenta se atestă faptul că produsele menționate în acest document îndeplinesc cerințele de Drept Comunitar European și pot purta sigla C.E. Aceste modele sunt în conformitate cu următoarele directive și standarde asociate.
ru	Настоящим удостоверяется, что перечисленные в этом документе изделия соответствуют требованиям законов Европейского Союза и могут быть обозначены знаком CE. Эти модели отвечают требованиям следующих директив и соответствующих стандартов.
sl	To služi kot potrditev, da izdelki, ki so navedeni v tem dokumentu, ustrezajo zahtevam zakonodaje Evropske skupnosti in so lahko opremljeni z oznako CE. Ti modeli so v skladu z naslednjimi direktivami in povezanimi standardi.
sk	Týmto vyhlasujeme, že výrobky uvedené v tomto dokumente, splňajú požiadavky zákonov ES a môžu byť označené značkou CE. Tieto modely vyhovujú nasledujúcim smerniciam príslušným normám.
sv	Härmed försäkras att produkterna som finns listade i detta dokument uppfyller kraven i Europeiska gemenskapens lagstiftning och kan förses med CE-märket. Modellerna uppfyller följande direktiv och tillhörande normer.
tr	Bu belgede belirtilen ürünlerin Avrupa Birliği Yasası gereksinimlerini karşılayarak CE işareti taşıyabilmesinin onaylamak içindir. Bu modeller aşağıdaki Direktif ve ilgili Standartlarla uyumludur



# MVSP Owner's Manual

en Directive: 2006/42/EC	hu Irányelv: 2006/42/EC	pt Diretiva: 2006/42/EC
bg Директива: 2006/42/EC	el Οδηγία: 2006/42/EC	ru Директива: 2006/42/EC
cs Směrnice č. 2006/42/EC	hr Direktiva: 2006/42/EC	ro Directiva: 2006/42/EC
da Direktiv: 2006/42/EF	it Direttiva: 2006/42/EF	sl Direktiva: 2006/42/EF
de Richtlinie: 2006/42/EG	lt Direktyva: 2006/42/EG	sk Smernica: 2006/42/EG
es Directriz: 2006/42/EC	lv Direktīva: 2006/42/EC	sv Direktiv: 2006/42/EC
et Direktiiviga: 2006/42/EÜ	nl Richtlijn: 2006/42/EÜ	tr Direktif: 2006/42/EÜ
fi Direktiivi: 2006/42/EC	no Direktiv: 2006/42/EC	
fr Directives : 2006/42/CE	pl Dyrektywy: 2006/42/CE	

en Model	Guaranteed Sound Power Level	Measured Sound Power Level	Sound Pressure Level at Operator's Ear (1)	Engine Net Power	Hand/Arm Vibration (2)	Mass
bg Модел	Гарантирано ниво на звука	Измерено ниво на звука	Налягане на звука, измерено на нивото на ухото на оператора (1)	Мощност на двигателя	Вибрация на дланта и на ръката (2)	Маса
cs Model	Garantovaná hladina akustického výkonu	Změřená hladina akustického výkonu	Hladina akustického tlaku naměřená u ucha obsluhující osoby (1)	Užitečný výkon motoru	Vibrace rukou/paží (2)	Váha
da Model	Garanteret støjniveau	Målt støjniveau	Lydtrykkniveau ved brugerens øre (1)	Maskine Netto kraft	Vibration af hånd/arm (2)	Vægt
de Modell	Garantierter Schalleistungspegel	Gemessener Schalleistungspegel	Schalldruckpegel am Ohr der Bedienungsperson (1)	Motornettoleistung	Vibrationen an Hand/Arm (2)	Masse
es Modelo	Nivel garantizado de potencia acústica	Nivel medido de potencia acústica	Nivel de presión acústica en el oído del operador (1)	Potencia neta del motor	Vibración mano / brazo (2)	Masa
et Mudel	Garanteeritud heliivõimsuse tase	Mõõdetud heliivõimsuse tase	Helirõhu tase kasutaja kõrva juures (1)	Masin puhas töötav	Võkumine käsi / käsivars (2)	Massi
fi Malli	Taattu äänitehotaso	Mitattu äänitehotaso	Äänenpaine taso käyttäjän korvan tasolla (1)	Moottorin nettoteho	Käden/käsivarren värinä (2)	Paino
fr Modèle	Niveau de bruit garanti	Niveau de bruit mesuré	Niveau sonore au niveau de l'oreille de l'opérateur (1)	Puissance nette du moteur	Vibrations au niveau de la main/du bras (2)	Masse
el Μοντέλο	Εγγυημένη στάθμη ηχηρής κίνησης	Μετρηθείσα στάθμη ηχηρής κίνησης	Στάθμη ηχηρής κίνησης στο αυτί του χειριστή (1)	Καθαρή ισχύς κινητήρα	Χειροβραχιακή δόνηση (2)	Μάζα
hu Model	Garantált hangteljesítmény szint	Mért hangteljesítmény szint	Hangnyomás szint a gépezetélő fülénél (1)	Motor hasznos teljesítménye	Kéz/kar vibráció (2)	Tömeg
hr Model	Zajamčena razina snage zvuka	Izmerena razina snage zvuka	Razina zvučnog tlaka na uhu rukovatelja (1)	Neto snaga motora	Vibracije šake/ruke (2)	Masa
it Modello	Livello acustico garantito	Livello acustico misurato	Livello di pressione acustica all'orecchio dell'operatore (1)	Potenza netta motore	Vibrazioni a mani/braccia (2)	Massa
lt Modelis	Garantuotas triukšmo lygis	Pamatuotas triukšmo lygis	Garso spaudimo lygis (rangos naudotojų) (1)	Variklio bendras galingumas	Rankenos vibracija (2)	Masė
lv Modelis	Garantētais skaņas jaudas līmenis	Izmērītais skaņas jaudas līmenis	Skaņas spiediena līmenis pie operatora auss (1)	Dzinēja neto jauda	Rokas/pleca vibrācija (2)	Masa
nl Model	Gegarandeerd geluidsdrukniveau	Gemeten geluidsdrukniveau	Geluidsdrukniveau bij het oor van de gebruiker (1)	Netto motorvermogen	Trilling van hand/arm (2)	Mass
no Modell	Garantert lydstrykenivå	Målt lydstrykenivå	Lydtrykk-nivå ved operatørens øre (1)	Motorens netto krefter	Hånd/ arm-vibrasjon (2)	Masse
pl Model	Gwarantowany poziom mocy akustycznej	Zmierzony poziom mocy akustycznej	Poziom ciśnienia akustycznego w uchu operatora (1)	Moc netto silnika	Drgania ręki/ramienia (2)	Masa
pt Modelo	Nível de potência de som garantido	Nível de potência de som medido	Níveis de pressão do som no ouvido do operador (1)	Potência útil do motor	Vibração na mão/braço (2)	Massa
ro Model	Nivel de zgomot garantat	Nivel de zgomot măsurat	Nivel de presiune acustică la urechea operatorului (1)	Putere netă motor	Vibrație mână/braț (2)	Masă
ru Модель	Гарантированный уровень звуковой мощности	Измеренный уровень звуковой мощности	Уровень звукового давления на месте оператора (1)	Полезная мощность двигателя	Интенсивность вибрации на ладонях/руках (2)	Вес
sl Model	Zajamčena raven zvočne moči	Izmerjena raven zvočne moči	Raven zvočnega tlaka pri užusu uporabnika (1)	Izhodna moč motorja	Tresljaji na rokah (2)	Masa
sk Model	Zaručená hladina akustického výkonu	Nameraná hladina akustického výkonu	Hladina akustického tlaku pôsobiaceho na ucho obsluhujúceho (1)	čistý výkon motoru	Ruka/Rameno Vibrácia (2)	Masa
sv Modell	Garanterad ljudeffektnivå	Uppmått ljudeffektnivå	Ljudtrycksnivå vid operatörens öra (1)	Motoreffekt netto	Hand-/ armvibrationer (2)	Massa
tr Model	Garantili Ses Gücü Seviyesi	Ölçülen Ses Gücü Seviyesi	Operatörün Kulakındaki Ses Basıncı Seviyesi (1)	Makine Net Gücü	El/Kol Titreşimi (2)	Ağırlık
MV650	104 dB(A)	103 dB(A)	83 dB(A)	4.85 kW	14 m/s <sup>2</sup>	71.2 kg
MV650SPH	104 dB(A)	103 dB(A)	83 dB(A)	4.85 kW	14 m/s <sup>2</sup>	81.2 kg
MV601SPE	105.5 dB(A)	104.5 dB(A)	89 dB(A)	3.73 kW	12.6 m/s <sup>2</sup>	92.5 kg
MV650SPHDS	104 dB(A)	103 dB(A)	83 dB(A)	4.85 kW	14 m/s <sup>2</sup>	81.2 kg

(1) ISO 5395-1:2013 F.7 (EN 4871:1996)  
 (2) ISO 5395-1:2013 G.8 (EN 12096:1997, D.1)



## MVSP Owner's Manual

en Manufacturing Place / Keeper of Documentation bg Място на производство / Архивар cs Místo výroby / Držitel dokumentace da Fremstillingssted / Indehaver af dokumentationen de Herstellungsort / Verantwortlicher für die Dokumentation es Lugar de manufactura / Guardián de documentación et Valmistamiskoht / Dokumentatsiooni hoidja fi Valmistuspaikka / Asiakirjojen haltija fr Lieu de fabrication / Personne chargée de conserver la documentation	el Τόπος κατασκευής / Υπεύθυνος τήρησης αρχείων τεκμηρίωσης hu Gyártás helye / A dokumentáció őrzője hr Mjesto proizvodnje / Cuvar dokumentacije it Sede di produzione / Archiviatore di documentazione lt Pagaminimo vieta / Dokumentacijos turėtojas lv Ražošanas vieta / Dokumentācijas glabātājs nl Productieplaats / Documentatiebeheerder no Produksjonssted / Dokumentasjonsholder	pl Miejsce produkcji / Osoba odpowiedzialna za przechowywanie dokumentów pt Local de Fabrico / Responsável pela Documentação ro Loc de fabricație / Păstrător documentație ru Место производства / Владелец документации sl Kraj izdelave / Hranitelj dokumentacije sk Miesto výroby / Dokumentácia majiteľa sv Tillverkningsplats / Dokumentförvaring tr Üretim Yeri / Doküman Sorumlusu
--	--	--

1803 S.W. Jefferson  
Lees Summit, MO 64063-  
0308 USA

Jeroen Engelen  
Schepersweg 4a 6049CV  
Herten, NL

10/05/2015

Ted Melin  
Engineering Manager