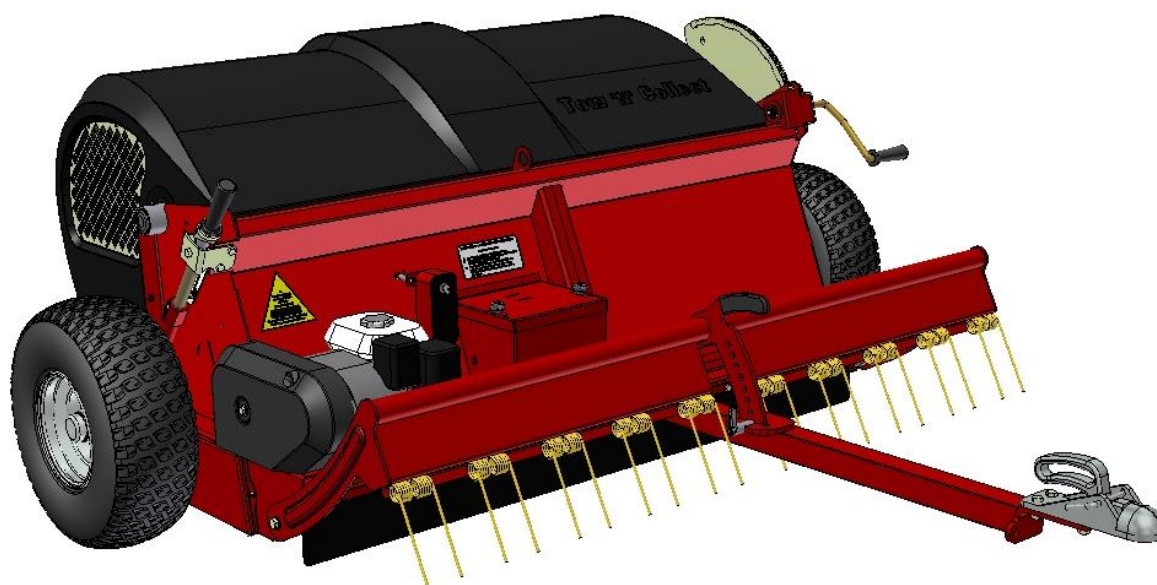


TOW AND COLLECT 1500 Pro

OWNER'S GUIDE & USER MANUAL



DISCLAIMER!

Read this Manual from start to finish before attempting to assemble, use or maintain the Equipment to which it refers. Do not attempt assembly, use or maintenance unless you know what you are doing. We accept no responsibility if you fail to follow the instructions in this Manual.

If you do not understand a point in this Manual, don't guess. Don't take short cuts. If in doubt, stop! Contact us or our authorised representatives for advice. We are here to help.

The Equipment is designed for easy assembly and use by persons who are reasonably familiar with farm implements and machinery. However, some of the maintenance procedures may require special tools or consumables or a level of experience with farm implements and machinery than you may not possess. If you encounter any difficulties, contact us or your own mechanic or technician for assistance.

To reduce packaging and freight costs, the drawbar is not attached to the Equipment. Assembly of the drawbar to the Equipment is your responsibility.

For each customer, operating conditions will vary, sometimes greatly. Such variations may affect the Equipment's performance. We have no control over your unique operating environment. Hence, we make no representations or warranties concerning the Equipment's performance under your actual operating conditions.

We made every effort to explain the assembly, operating, maintenance and safety procedures as clearly and completely as possible. Nonetheless, it is not possible to anticipate, nor address, every conceivable problem that may arise. This problem is compounded by the fact that no two operating environments are exactly the same. Therefore, we are not able to guarantee that this Manual will address every issue or problem that might arise concerning the assembly, operation, maintenance or safety of the Equipment to which it relates.

This Manual is intended to provide you with general guidance. For specific guidance and support, contact us or our authorised representative.

If you do not follow the assembly, use, maintenance and safety procedures in this Manual, the Equipment may not function as expected. More seriously, it may cause property damage, personal injury or other losses.

Use the Equipment at your own risk. We accept no liability for direct, indirect, incidental, special, or consequential damages resulting from your failure to follow the assembly, use, maintenance and safety procedures in this Manual. The foregoing limitation extends to damages for personal injury, damages to your vehicle and other property damage, whether suffered by you or by a third party.

We used all due care in preparing this Manual. However, we accept no liability for errors or omissions.

We reserve the right to change the design or specifications of the Equipment, or the information in this Manual, without notice.

Assembly, use and maintenance of the Equipment is entirely your risk and responsibility.

INTRODUCTION

Welcome

Metalform Tow and Farm takes this opportunity to welcome you as the new owner of a *Tow and Collect*. We want you to get the best results from your new Collector and this user manual will help you achieve this objective.

The safe operation and maintenance of your *Tow and Collect* is very important to prevent personal injury, damage to the machine, other property and the environment.

We suggest you read and fully understand its coverage and your responsibilities of ownership prior to operating the machine or carrying out maintenance.

Best wishes and kind regards,

New Zealand

Metalform Tow and Farm
74 Miller Street
Dannevirke, 4930
New Zealand
Phone: +64 6 374 7043
Email: sales@towandfarm.co.nz
Web: www.towandfarm.co.nz

Australia

Tow and Farm
105-117 Boundary Road
Laverton North, VIC 3026
Australia
Phone: 1300 630 279
Email: sales@towandfarm.com.au
Web: www.towandfarm.com.au

UK / Europe

Tow and Farm
Wood End
Prospect Road
New Farm Road Industrial Estate
Alresford
Hampshire, SO24 9QF
England
Phone: +44 1962 600 030
Email: sales@towandfarm.co.uk
Web: www.towandfarm.co.uk

USA / Canada

Tow and Farm, Inc.
105 Kendall Park Lane S,
Atlanta GA 30336
USA
Phone: 877 778 7181
Email: sales@towandfarm.com
Web: www.towandfarm.com


INTRODUCTION

Notes about Safety

Your safety and the safety of others are very important. Using this machine safely is an important responsibility.

To help you make informed decisions about safety, we have provided operating procedures and other information in this manual. This information alerts you to potential dangers and hazards that could injure yourself or others.

You will find safety information in the following forms;

- **Safety Labels** – displayed on the machine.
- **Safety Messages** – preceded by a safety alert symbol  and one of these three signal words; DANGER, WARNING and CAUTION.
- **Safety Headings** – such as *IMPORTANT SAFETY INFORMATION*
- **Instructions** – how to use the machine correctly and safely.

This book is filled with safety information – please read it carefully!



WARNING!

Do not start, operate or service machine until you have read and understand the Owners Guide and User Manual.

Failure to do so could result in serious injury.

CONTENTS

SAFETY	6
WARRANTY	7
OPERATION	8
Safe Operation Precautions	8
Before Operation	8
Location of Features and Controls	9
Machine Height Adjustment	10
Tine Height Adjustment	10
Catcher Opening	11
Catcher Closing	11
Using the Tow and Collect	12
Hints for Operation	13
Troubleshooting	13
SERVICING	14
The Importance of Maintenance	14
Maintenance Safety	14
Maintenance Schedule	15
Tyre Pressure	15
Gearbox Oil	15
Engine Oil	16
Air Filter	16
Air Cooling Intake	16
Lubrication	17
Chain Tensioning	18
Replacing the Rubber Skirt	19
Replacing the Brushes	20
Replacing the Tines	22
CONSUMER INFORMATION	23
Technical Information	23
Serial Number Location	23
Spare Parts List	24
Spare Parts Exploded View	28
Consumer Help and Information	29

















SAFETY



Read and understand this owner's manual before operating this machine. Failure to do so could result in personal injury or equipment damage.

Know and understand the operation of all the controls. Never permit anyone to operate the machine without proper instructions.

WARNING!

-  NEVER allow any person to ride on the Tow and Collect.
-  NEVER use on slopes with an incline greater than 9° (1:5 gradient).
-  ENSURE you read and understand the owner's manual for the tow vehicle before operation.
-  KEEP children and pets away from area of operation.
-  ENSURE the tow hitch is in good repair and fit for towing. Ensure the tow ball on the tow vehicle is the correct size for the Tow and Collect.
-  Never allow any person to stand close to the machine when it is operating.
-  Where possible avoid operating in areas with rocks and loose debris as these can be flung out at speed and may also jam the brush spindle.
-  Eye protection and ear protection must be worn at all times.
-  Do not open catcher while moving or while engine is running
-  Do not place hands or feet under the collector.
-  Never allow a person under the age of 18 years to operate the Tow and Collect.
-  Never use the Tow and Collect under the influence of alcohol or drugs.
-  In dusty conditions, air cleaner filters must be cleaned regularly. A blocked air cleaner can affect engine performance leading to damage.
-  Always keep machine clean from any grass. If grass deposits on the machine while operating, switch engine off, let stand for 30 minutes and clear.
-  DO NOT overfill the engine with fuel.
-  DO NOT spill fuel during re-filling. If spillage occurs, clean thoroughly and let stand for 30 minutes before attempting to start the engine.

WARRANTY

We warrant the Tow and Collect against defects in materials and workmanship. The term of this warranty is one year from date of purchase.

This is a parts only warranty. You are responsible for disassembling the defective part and reassembling the new part. We shall not be responsible or liable for the cost of field labour or other charges incurred by you in removing and/or reassembling any part.

This warranty is void in circumstances where: (a) The Tow and Collect has been misused, abused, neglected or damaged; (b) The Tow and Collect has been improperly assembled, repaired, serviced or maintained; (c) The Tow and Collect has been modified; (d) The Tow and Collect has been connected to other equipment with which it is not compatible; or (e) The Tow and Collect has been used for purposes other than for which it was designed.

To make a warranty claim, contact us at the address below. Describe the problem to us. We will tell you what to do next.

If we need to inspect, test or repair the part that is the subject of your claim, it is your responsibility to ship the part to us at your cost. If we accept your warranty claim, we shall either repair or replace the defective part in our discretion. We shall then ship the part back to you at our cost.

If the Tow and Collect is off-warranty or otherwise not subject to a valid warranty claim, we will repair or replace the Tow and Collect, or part thereof, at your cost

Our sole responsibility is to repair or replace a part that is subject to a valid warranty claim. Under no circumstance will we be liable for direct, indirect, incidental, special or consequential costs or damages to the maximum extent permitted by law. The foregoing disclaimer extends to damages for personal injury, damages to other equipment, other property damage, whether suffered by you or by a third party.

We accept no liability resulting from your failure to heed the assembly, use, maintenance and safety instructions in our Owner's Guide & User Manual.

This is an express warranty. We disclaim any other express or implied warranties, including warranties of merchant-ability or fitness for purpose, to the maximum extent permitted by law.

Some jurisdictions do not allow limitations or disclaimers of implied or statutory warranties. Some jurisdictions do not allow disclaimers or exclusions of consequential or incidental damages. Therefore, the above disclaimers, limitations and exclusions may not apply in all jurisdictions in which we sell the Tow and Collect.


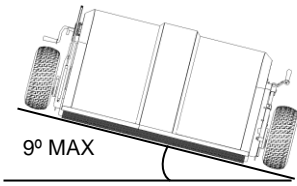
This warranty gives you specific legal rights. You may have other rights or remedies pursuant to the laws in your territory. Nothing in this limited warranty should be construed as limiting or restricting any other statutory right or remedy that is available to you, except for such limitations or restrictions herein as may be allowed by the law of the territory.

OPERATION

Safe Operation Precautions

Before operating machine for the first time, please review the important SAFETY information on page 6.

Before operating machine, read and understand the Owner's Manual and safety precautions of the tow vehicle.

 DANGER!	
<p>DO NOT use on slopes with an incline greater than 9° (1:5 gradient)</p> <p>Exceeding this slope angle will cause the Tow and Collect and the tow vehicle to be unbalanced and may tip over causing death or serious injury.</p>	 <p>9° MAX</p>

Before Operation

- Ensure you read and understand the Engine Owner's Manual for the supplied engine.
- Ensure that there is oil in the gearbox and filled to the correct marked level (see *Maintenance Schedule* on page 17).
- Ensure there is oil in the engine and filled to the correct marked level (see *Maintenance Schedule* on page 17).
- Ensure chain is lubricated (see *Maintenance Schedule* on page 17).
- Ensure the tow bar height is correctly set so that the body of the collector sits level to the ground (different tow vehicles have different tow ball heights, so it's important to set the Tow and Collect to the correct height.)
- Check that tyre pressure is in the range 5 – 7 psi (34 – 48 kPa). Check the condition of the tyres, look for signs of wear, cuts and impact damage. Ensure that the tyre pressure is the same in each wheel.
DO NOT over inflate tyres: If the pressure is too high the Tow and Collect will bounce on rough terrain, however if the pressure is too low, as the catcher fills the extra weight will compress the tyres and lower the effective brush height.

OPERATION

Location of Features and Controls

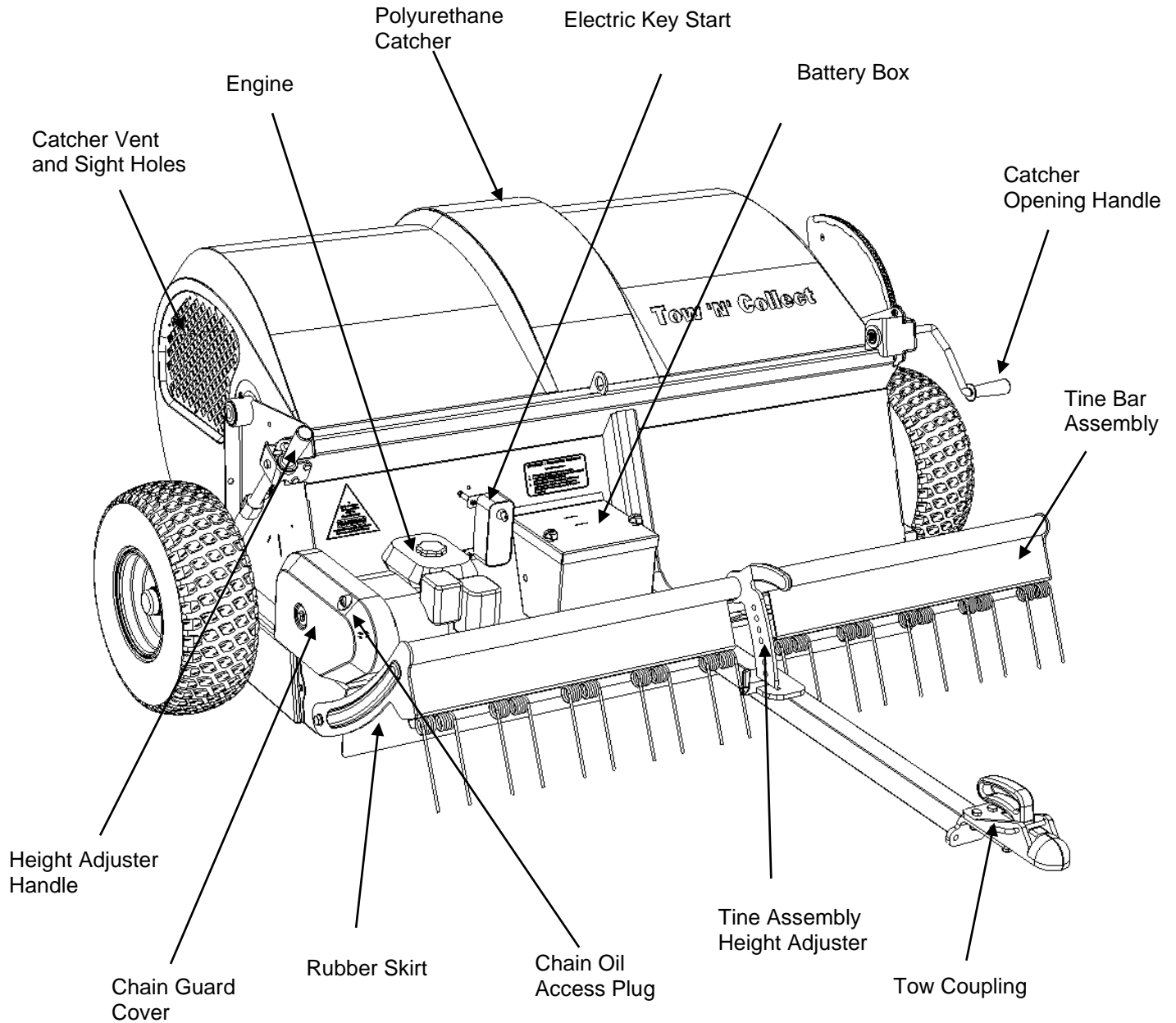


Fig. 3

OPERATION

Machine Height Adjustment

Height adjustment should only be done once the machine has been attached to the tow vehicle. This is because tow hitches vary in height.

- To **raise** the machine height, wind the height adjuster handle (1) in a clockwise direction. This will lift the brushes up.
- To **lower** the machine working height, wind the adjuster handle (1) in an anti-clockwise direction. This will lower the brushes down.

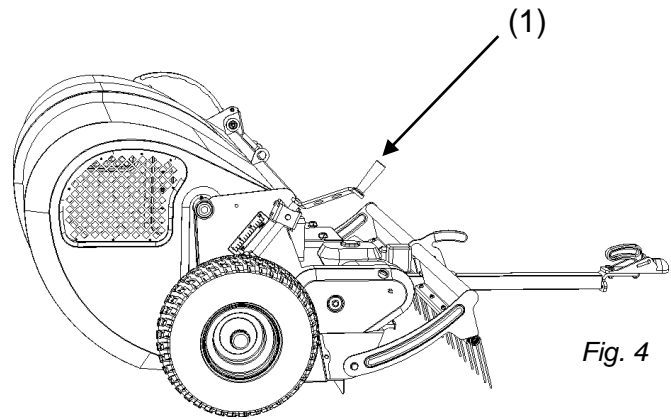


Fig. 4

Tine Height Adjustment



The scouring tines on the front of the collector can be used when required, then adjusted out of the way when not required.

Tines are useful for when picking up hard manure or if the grass is long. It breaks up the manure and makes it easier to pick up.

NOTE: Tine adjustment should only be done once the machine has been attached to the tow vehicle and the machine height has been set.

1. Support weight of tine bar by holding the handle (2) and rotate lock pin (3) to release.
2. Position the tine assembly at desired height and rotate lock pin (3) to secure the assembly at desired height.

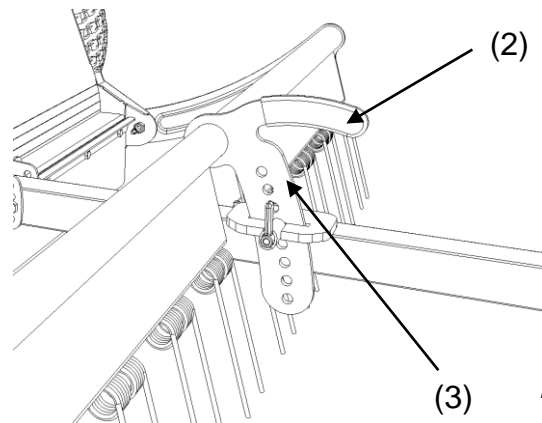


Fig. 5

OPERATION

Catcher Opening

NOTE: Do not over-fill the catcher!
If the catcher is over-filled it will be difficult to empty.

WARNING: The catcher opening is assisted with a pressurised gas strut. Ensure the catcher handle (4) is held securely during entire opening process!

1. Hold catcher handle securely (4)
2. Rotate and pull lock pin (5) to release.
3. Carefully wind catcher opening handle (4) to lift open catcher.

Note: Use the lock pin (5) to hold the catcher open if necessary.

Suggested emptying procedure:

1. Reverse the Collector to a suitable dump site.
2. Open the catcher as described above
3. Move tow vehicle forward 1 metre (3 feet)
4. Close the catcher

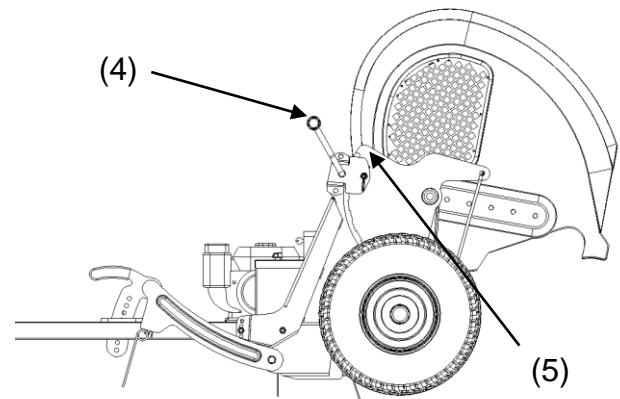


Fig. 6

Catcher Closing

WARNING: The catcher is assisted with a pressurised gas strut. Ensure the catcher handle (4) is held securely during entire closing process!

1. Securely hold the catcher handle (4), and rotate lock pin (5) to release.
2. Wind catcher handle (4) to close.
3. While still holding the catcher handle (3), rotate lock pin (5) to lock catcher closed.

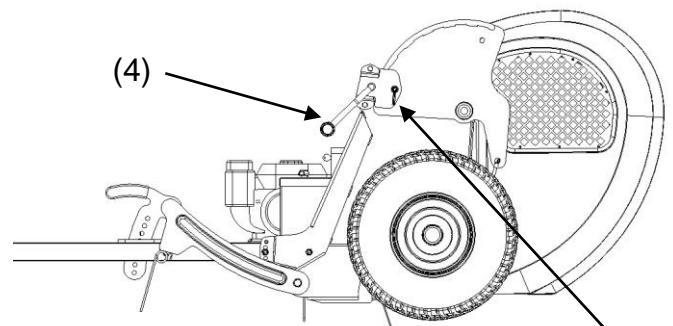


Fig. 7

OPERATION

Using the Tow and Collect

The Tow and Collect has been designed to reduce time collecting manure and provide healthier pastures for your horses.

NOTE: Ensure you read and understand the Engine Owner's Manual prior to starting engine.

1. Hitch the Tow and Collect onto your ATV, 4-wheeler or any other similar stable vehicle.
2. Start the engine
 - a. Move the throttle lever to the Idle position
 - b. Slide the choke lever to the on position
 - c. Turn the key to the right, until the engine starts.
 - d. Once engine has started slide the choke to the off position and let the engine warm up for 2-3 minutes.
 - e. **NOTE:** After warm up, the throttle must be placed **at full revs**. If the machine is operated at low revs, there is a chance the centrifugal clutch will only partially engage which may cause it to wear excessively and burn out
3. Set the height of the Tow and Collect - dependent on grass length and ground conditions.
NOTE: Ensure the brushes are not lowered hard onto the ground which causes extra load onto the engine and gearbox and potentially cause damage.
4. Drive around the paddock/field focusing on the areas requiring manure/debris pickup.
5. Turn off the engine (or lower revs to idle).
6. Reverse the Tow and Collect to a suitable dumping site. Empty the catcher easily, with the gas strut assisted opening mechanism (as described in *Catcher Opening* on page 13)

See www.towandfarm.com for videos and more information.

OPERATION

Hints for Operation

NOTE: Recommended tow vehicle capacity is 300cc or higher.

- Finding the perfect settings for your Tow and Collect largely depends on the current conditions of your pasture. So if you don't get it right the first time, don't be concerned.
- Using the Tow and Collect regularly improves the health of your pasture and animals. Regular pickups will also make the process easier by slowly removing all thatch and debris from the pasture.
- The first time you use your Tow and Collect, try driving in a 'grid' fashion (see image on right). This is so the approach on the pasture comes from all directions.

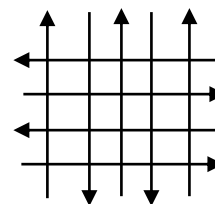


Fig. 8

Troubleshooting

My Tow and Collect does not pick up the manure or debris!

- Ensure the brush height is set so the brushes are 'only just' touching the ground.
- If the grass length is greater than 125mm (5"), cut grass first (suggested product is the Tow and Mow. see www.towandfarm.com)
- Recommended travelling speed is 8-12 kph (5-8 mph).
- Check for brush wear. When the brushes slowly wear down, they become less efficient. Replace brushes when bristles get too short (see page 20).
- Check that the inside of the Tow and Collect is not jammed. Open catcher and clean chute.

The catcher is hard to empty!

- Don't overfill catcher. If machine begins to perform badly, it may mean the catcher is full.
- If catcher is overfilled, the manure/debris will be too compacted, making it hard to empty.

The manure is too hard and dry to pick up!

- When the manure is very dry, use the tines to lift the manure and break the seal on the ground.

The manure is too wet to pick up!

- Lift tine assembly up and out of the way.
- Try driving slower over the concentrated area's.

My Tow and Collect pulls out grass or picks up too much dead grass!

- Because it uses a rotating brush, it will pick up everything it can. The more you use it, the less dead grass there will be for it to collect.

SERVICING

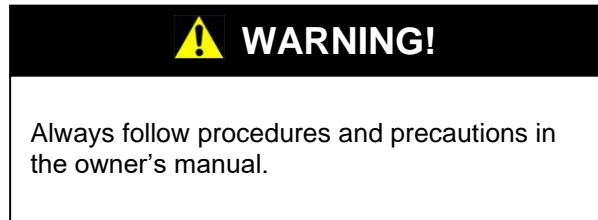
The Importance of Maintenance

Good maintenance is essential for safe, economical and trouble-free operation.

To help you properly care for your Tow and Collect, the following pages include a maintenance schedule, routine inspection procedures, and simple maintenance procedures using basic hand tools. Other service tasks that are more difficult, or that require specific tools, should be carried out by a qualified service technician or qualified mechanic.

The maintenance schedule applies to normal operating conditions.

Maintenance Safety



- Ensure the engine is switched off, fuel is switched off and engine is cool before attempting any maintenance tasks. This will eliminate several potential hazards;
 - **Carbon Monoxide poisoning from the exhaust**
Be sure there is adequate ventilation wherever you operate the engine
 - **Burns from hot parts**
Let the engine and exhaust system cool before touching
 - **Injury from moving parts**
Do not run the engine unless instructed to do so
- Read the instructions before you begin and make sure you have the tools and the skills required.
- To reduce possibility of fire or explosion, be careful when working around gasoline. Use only a non-flammable solvent, NOT gasoline, to clean parts. Keep cigarettes, sparks and flames away from all fuel-related parts.

To ensure the best quality and reliability, use only new genuine Tow and Farm parts or their equivalent for repair and replacement.

SERVICING

Maintenance Schedule

Item	Each Use	Every month or 10 hrs	Every 3 months or 25 hrs	Every 6 months or 50 hrs	Every 12 months or 100 hrs	Refer to Page
Check Tyre Pressure		√				17
Check Gearbox Oil		√				17
Change Gearbox Oil			√			17
Check Engine Oil*		√				17
Change Engine Oil*				√		18
Check Air Filter*	√					18
Check Cooling System*	√					18
Lubrication		√				19
Check Chain Tension			√			20
Rubber Skirt Replacement				√		21
Brush Replacement					√	22
Tine Replacement					√	24

Perform at every indicated month or operating hour interval, whichever comes first.

***NOTE:** See Engine User Manual for detailed information about servicing and maintaining the engine.

Tyre Pressure

Check that tyre pressure is in the range 10 – 20 psi (69 – 138 kPa). The factory setting is 20 psi (138 kPa). Check the condition of the tyres, look for signs of wear, cuts and impact damage. Ensure that the tyre pressure is the same in each wheel.

DO NOT over inflate tyres: If the pressure is too high the Tow and Collect will bounce on rough terrain, however if the pressure is too low, as the catcher fills the extra weight will compress the tyres and lower the effective brush height.

Gearbox Oil

NOTE: The gearbox is a 2:1 reduction ratio with a centrifugal clutch. This means it is designed so when the engine is at idle, the brushes do not turn. As soon as you increase the revs on the engine, the brushes will begin to turn.



WARNING!

If brushes become jammed with any foreign objects restricting them to turn freely, please ensure you shut engine down immediately. If the engine continues to run – the clutch on the gearbox will slip and cause damage to the clutch plates.

To change the oil in the gearbox, you will require 400mL of **synthetic** oil of grade 20W-50 or similar. It is a wet clutch and requires similar oil to that of a 4-stroke engine.

SERVICING

Engine Oil

Read the Engine User Manual for details on how to check and replace engine oil.

Air Filter

NOTE: Read the Engine User Manual for details on how to check and clean the air filter element.

 **WARNING!**

A poorly maintained air cleaner increases risk of fire caused by engine backfire.

Ensure air cleaner is correctly maintained and kept clean

Air Cooling Intake

NOTE: Read the Engine User Manual for details on how to check and clean the cooling system.

 **WARNING!**

Debris and blockages around the cooling fins of the engine causes overheating.

Ensure the cooling system is correctly maintained and kept clean

The engine is cooled by air being forced around the engine. The air intake is generated by a rotating impeller under the recoil start guard.

Ensure this is checked regularly to ensure that it hasn't sucked debris or grass which can reduce the cooling of the engine.

SERVICING

Lubrication

Grease Nipples

The Tow and Collect has 4 grease nipples.

- 1 is located at both ends of the catcher pivot (6)
- 2 are located on the height adjuster assembly (7)

Ensure they are lubricated (with Multi-Purpose grease or similar) each *Schedule* to provide smooth operation and eliminate unnecessary wear.

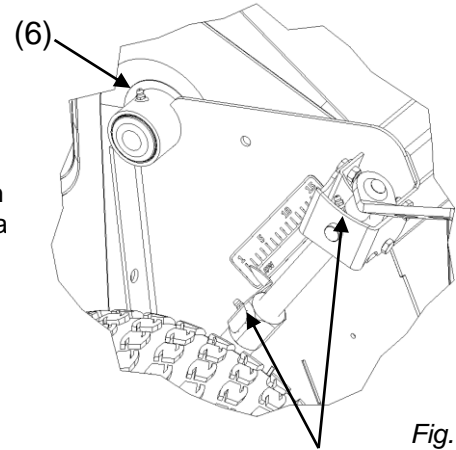


Fig. 9

Chain

The rotating brushes are driven from the engine which is connected by a chain on the right hand side of the Tow and Collect.

Ensure the chain is lubricated at each interval as per *Maintenance Schedule* on page 17.

CAUTION: Make sure the Tow and Collect is disconnected from the tow vehicle and engine is switched off before attempting to remove chain access plug (step 1).

1. Remove the chain access plug by pulling toward you.
2. Hold chain lube can 200mm (8") away from chain and spray onto chain where visible.
NOTE: Use chain lube spray or equivalent.
3. Move Tow and Collect FORWARD 600mm (25") and repeat step 2.
CAUTION: Ensure no loose clothing or other persons are near the Tow and Collect whilst moving forward.
4. Replace chain access plug firmly.

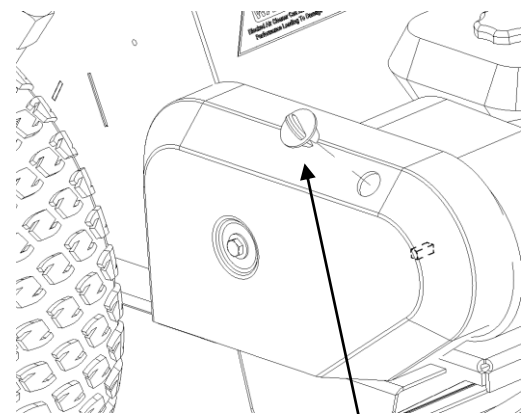


Fig. 10

(Chain access plug)

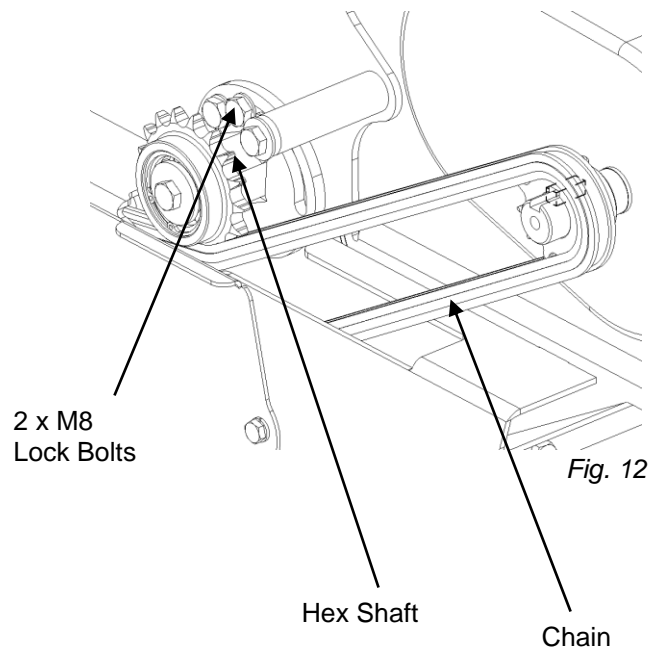
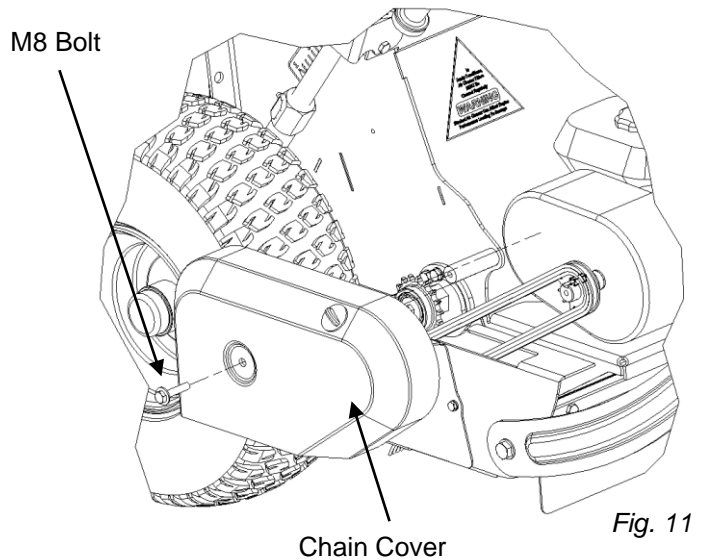
SERVICING

Chain Tensioning

NOTE: The following task requires is recommended to be carried out by a qualified service technician or qualified mechanic.

Ensure chain tension is checked each at interval as per *Maintenance Schedule* on page 17.

1. Loosen M8 Bolt on side of chain cover and remove.
2. Remove Chain Cover by pulling away from machine.
3. Loosen both M8 Lock Bolts on tensioner with spanner (loosen only – do not remove!)
4. Using a 32mm spanner, fit to top of Hex Shaft on chain tensioner and apply force anti-clockwise.
5. While maintaining force on tensioner assembly, tighten up one M8 Bolt.
6. Tighten other M8 Bolt.
7. Replace cover and tighten M8 Bolt to fasten.



SERVICING

Replacing the Rubber Skirt

NOTE: The following task requires special tools and is recommended to be carried out by a qualified service technician or qualified mechanic.

The rubber skirt is to stop debris being 'flung' forward during the pickup process. Ensure rubber skirt is changed at each interval as per *Maintenance Schedule* on page 17.

NOTE: This task requires special tools.

The Rubber Skirt is shown on the machine in the diagram on the right.

1. Remove Rubber Skirt by loosening and removing 6 x M8 Bolts and Nuts.
2. Replace Rubber Skirt
3. When assembling, ensure the Stiffening Bar is inserted the correct orientation (see Fig. 14).
4. Tighten all bolts.

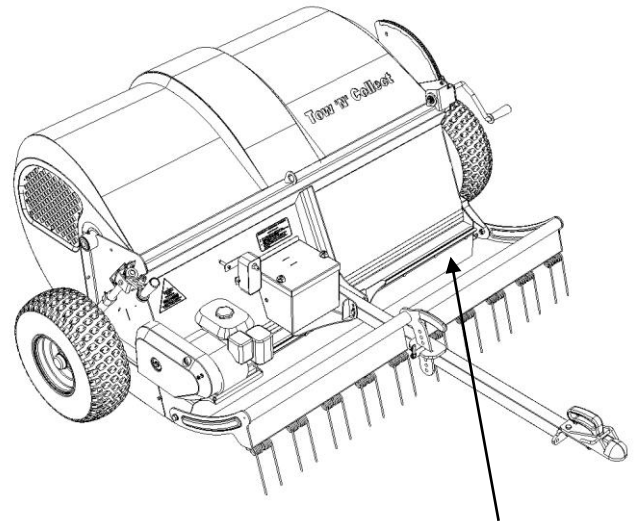


Fig. 13

Rubber Skirt

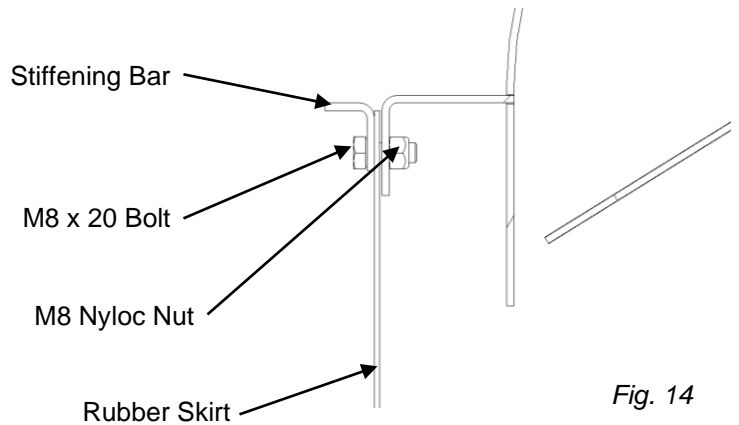


Fig. 14

*Cross-section view
of Rubber Skirt and
mounting position.*

SERVICING

Replacing the Brushes

Ensure brushes are changed at each interval as per *Maintenance Schedule* on page 17.

NOTE: The following task requires special tools and is recommended to be carried out by a qualified service technician or qualified mechanic.

To gain easy work access to the underneath of the machine, remove the Draw Bar and Tine Bar as described in the following steps.

- **Remove the Tine Bar and Drawbar**

1. Disengage height adjuster pin on tine bar and remove tine bar from locator slot.

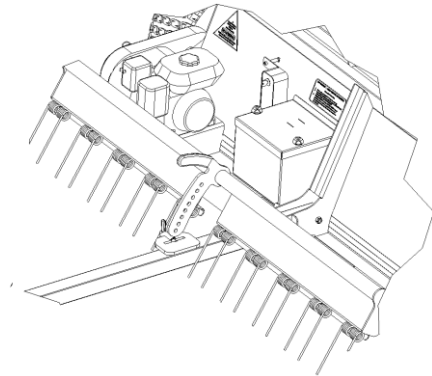


Fig. 15

2. Loosen and remove bolt and nut from each side of the tine bar mount.
3. Remove tine bar from machine and place aside.

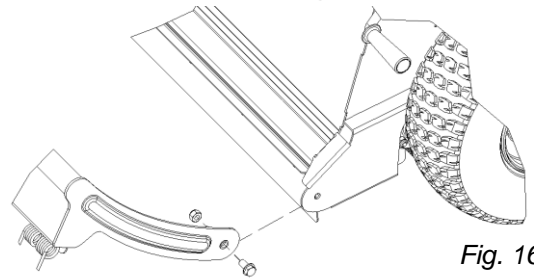


Fig. 16

4. Loosen and remove bolt and nut from **front** of drawbar mount.
5. Loosen and remove bolt and nut from **rear** of drawbar mount.
6. Remove draw bar and place aside.

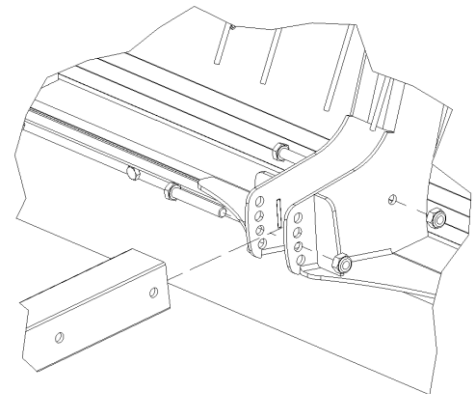


Fig. 17

SERVICING

Replacing the Brushes (continued)

- **Remove the Brushes**

WARNING: You will need extra assistance to do the following steps.

7. Open the catcher (as described on page 13)
8. Place the machine on its back edge (see Fig. 18) so you have easy access to the brush assembly.
CAUTION: Ensure the machine is securely held in position to eliminate ANY chance of it falling over while carrying out the following task
9. Loosen and remove 10 x Nyloc Nuts (9) that hold the brush clamp (10) in position.
(see Fig. 20)
10. Repeat for 4 x brushes.
11. Fit new brushes, ensuring that each brush is pushed back hard against the threaded studs along the entire length of the brush before the nuts are tightened.
12. Tighten all nuts to a torque of 9 Nm (7 ft-lb).
13. Rotate brush assembly slowly by hand and check that brushes do not rub on the Tow and Collect chassis.

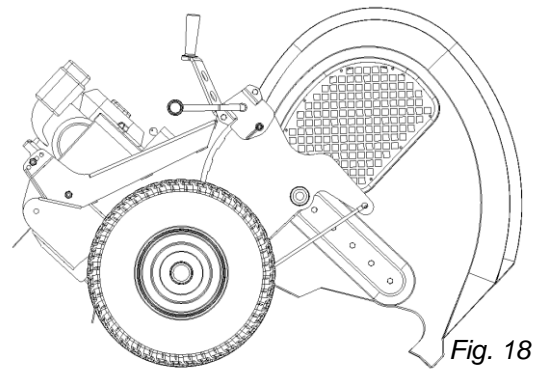


Fig. 18

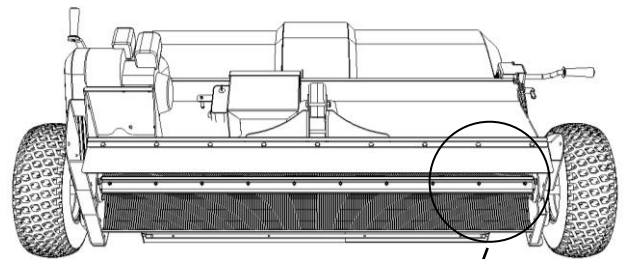


Fig. 19

NOTE: If the brushes are replaced more than 3 times also replace the Nyloc Nuts (as the locking ability of the nuts will be reduced from loosening and tightening multiple times)

- **Re-Assemble**

14. Unsecure machine and carefully lower back onto the wheels
15. Close Catcher
16. Assemble drawbar and tine bar in reverse as described in steps 1 – 6.

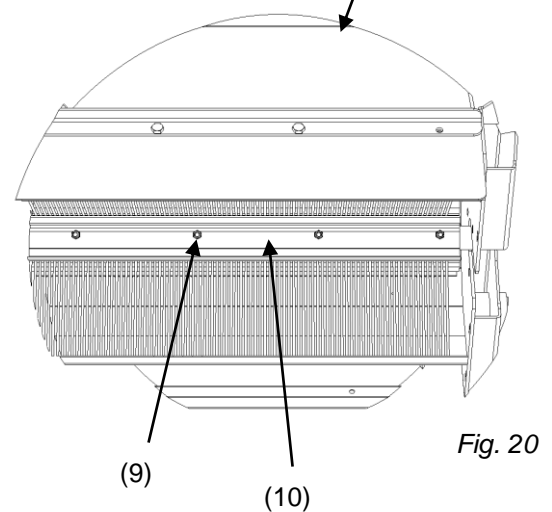


Fig. 20

SERVICING

Replacing the Tines

NOTE: The following task requires special tools and is recommended to be carried out by a qualified service technician or qualified mechanic.

1. Lock tine bar assembly into upper most position (shown in *Fig. 21*)
2. Loosen and remove bolt and nut on each tine.
3. Replace Tine by inserting the bolt through the U-shaped part of the tine and onto the frame.
Note: Ensure Tine is positioned in the correct orientation (as shown in *Fig. 22*)
4. Replace nut onto the top side of the assembly.
5. Tighten all nuts to a torque of 15 Nm (11 ft-lb).

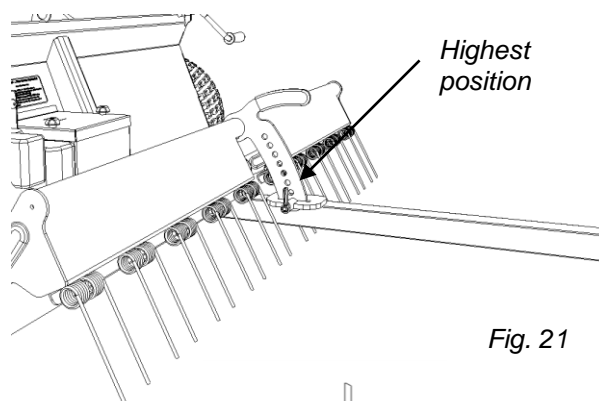


Fig. 21

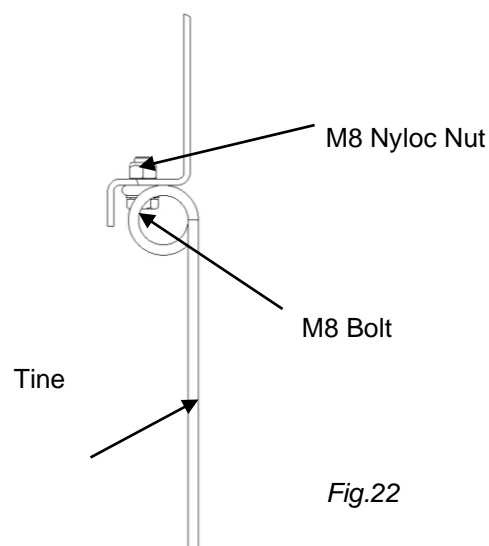


Fig.22

*Cross-section view
of Tine mounting
position.*

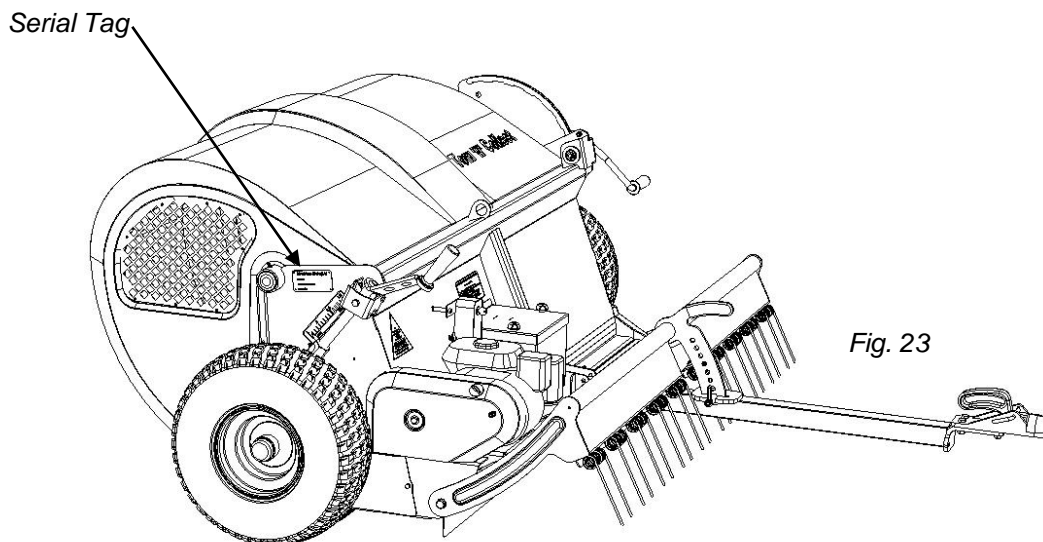
CONSUMER INFORMATION

Technical Information

Model	Tow and Collect 1500 Pro	
Manufactured By	Metalform (Dannevirke) Ltd	
Collection Width	1450 mm	57"
Overall Width	2200 mm	86"
Height	900 mm	35"
Length - excluding tow bar - including tow bar	1380 mm 2280 mm	54" (4' 6") 90" (7' 6")
Weight - net - gross	220 kg 250 kg	485 lbs 550 lbs
Catcher Capacity	610 Litres	160 US Gallons
Brushes	Replaceable Nylon Brushes (4 x)	
Tow Hitch Options	1 7/8" OR 50mm Tow Coupling OR 23mm Ø thru hole	

Serial Number Location

You will find the Serial Number etched onto an aluminium tag which has been applied to the right hand side of the Tow and Collect, by the manufacturer. (See Fig. 23)

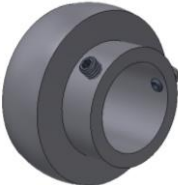
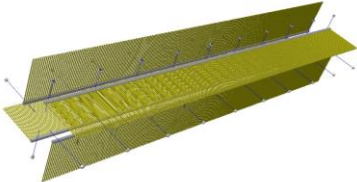


CONSUMER INFORMATION




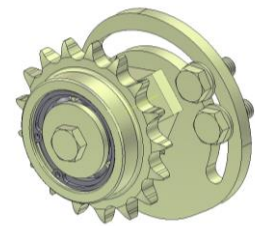
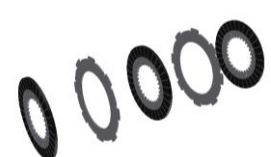

Spare Parts List

NOTE: For reference purposes only. Part descriptions and/or part numbers subject to change without notice


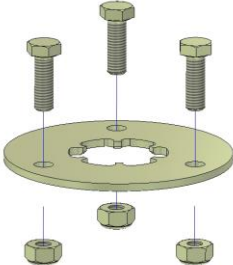



- For more information about each spare part pack, see www.towandfarm.com.
- To order a spare parts manual, see www.towandfarm.com.
- During any correspondence with Tow and Farm, ensure you have the following information handy:
 - Model and Serial Number
 - Date of purchase
 - Your name and address
 - Detailed description of the problem

Description	Part Number	Image	Ref.
Airfilter Element <i>1 x Airfilter Element</i>	CP_002_023		<i>fitting instr.</i> page 18 <i>location on machine</i> page 30 item 1
Bearing – Brush Shaft <i>Bearing Ø30mm</i> <i>2 x Grub Screws</i>	YAR2062RF		<i>location on machine</i> page 30 item 3
Brush Clamp Kit <i>4 x Clamps</i> <i>40 x M6 Nyloc Nuts</i>	TOCO-A01-034		<i>fitting instr.</i> page 22 <i>location on machine</i> page 30 item 4
Brushes – Set of 4 <i>4 x Brushes</i> <i>40 x M6 Nyloc Nuts</i>	TOCO-A01-035		<i>fitting instr.</i> page 22 <i>location on machine</i> page 30 item 5



Spare Parts List (continued)

Description	Part Number	Image	Ref (pg)
<p>Catcher Handle Kit</p> <p><i>Formed Handle Black Handle 2 x Bearings Fixings</i></p>	TOCO-A01-009		<i>location on machine page 30 item 6</i>
<p>Chain Kit</p> <p><i>1/2" Pitch Chain (38 Links)</i></p> <p><i>Chain Link</i></p>	TOCO-A01-065		<i>fitting instr. page 20</i> <i>location on machine page 30 item 7</i>
<p>Chain Link Only</p> <p><i>1/2" Pitch Chain Link</i></p>	08BL-RJ		<i>fitting instr. page 20</i> <i>location on machine page 30 item 8</i>
<p>Chain Tensioner</p> <p><i>Complete Tensioner Assembly 2 x Bolts and Washers</i></p>	TOCO_M702_A261		<i>fitting instr. page 20</i> <i>location on machine page 30 item 9</i>
<p>Clutch Repair Kit</p> <p><i>2 x Mid Discs 1 x Pressing Disc 2 x Friction Discs</i></p>	TOCO-A01-050		<i>location on machine page 30 item 10</i>
<p>Dip Stick</p> <p><i>1 x Dip Stick</i></p>	23531-168F2-R		<i>location on machine page 30 item 11</i>

Spare Parts List (continued)

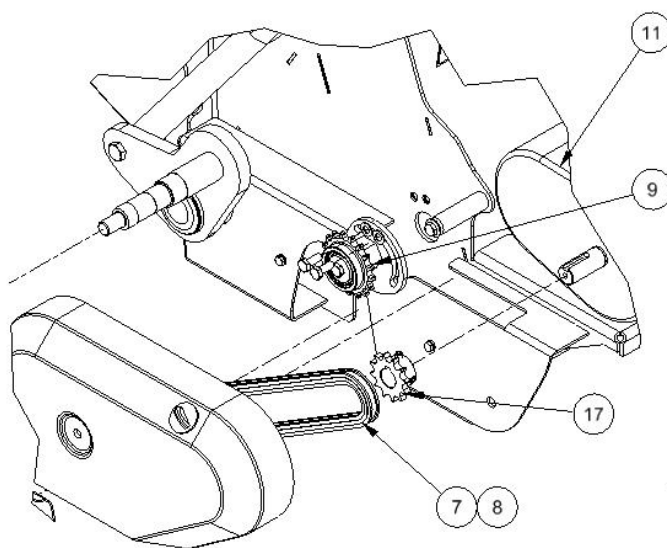
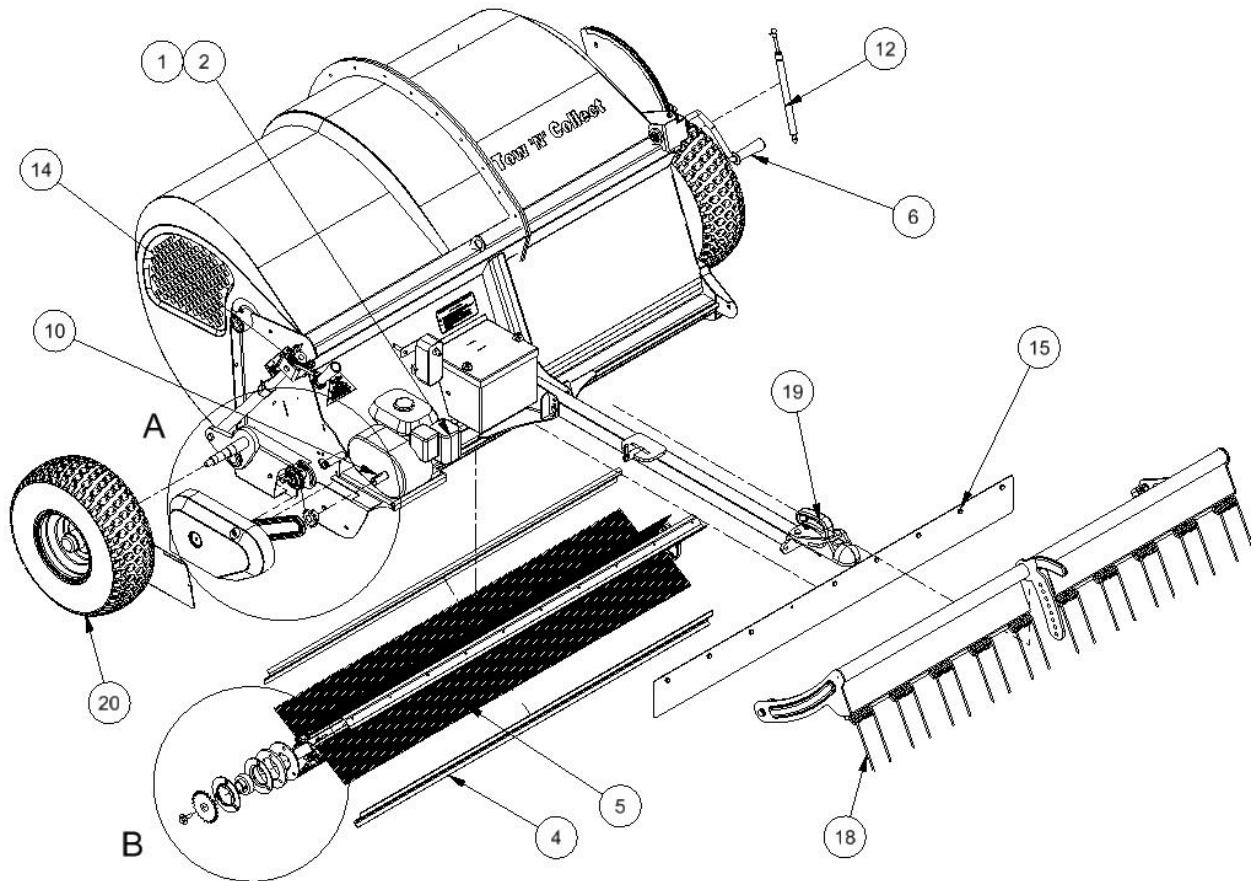
Description	Part Number	Image	Ref (pg)
<p>Gas Strut</p> <p>1 x Gas Strut 2 x Clips</p>	G585-8-B9-680N		<p>location on machine page 30 item 12</p>
<p>Grass Cutter Kit</p> <p>2 x Cutting Plate 6 x Bolts and Nuts</p>	TOCO-A01-029		<p>location on machine page 30 item 13</p>
<p>Height Adjuster Handle Kit</p> <p>Complete Assembly</p>	TOCO-A01-010		<p>location on machine page 30 item 14</p>
<p>Rubber Skirt Kit</p> <p>1 x Rubber Strip 9 x Bolts 9 x Nyloc Nuts</p>	TOCO-A01-020		<p>fitting instr. page 21</p> <p>location on machine page 30 item 15</p>
<p>Sprocket - Brush Shaft</p> <p>1 x Sprocket</p>	TOCO_T01_070		<p>location on machine page 30 item 16</p>

Spare Parts List (continued)

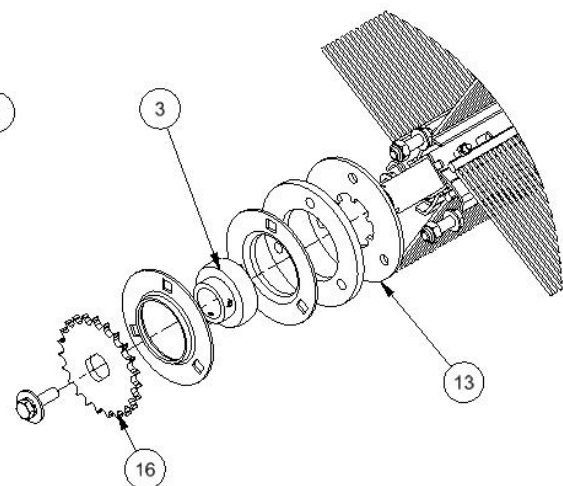
Description	Part Number	Image	Ref (pg)
<p>Sprocket - Honda</p> <p>1 x Sprocket 2 x Grub Screws 1 x Keysteel</p>	<p>TOCO-A01-026</p>		<p>location on machine page 30 item 17</p>
<p>Tine Kit</p> <p>1 x Tine 1 x Bolt 1 x Washer 1 x Nyloc Nut</p>	<p>TOCO-A01-100</p>		<p>fitting instr. page 24</p> <p>location on machine page 30 item 18</p>
<p>Tow Coupling 1 7/8"</p> <p>1 x Coupling</p>	<p>99590</p>		<p>location on machine page 30 item 19</p>
<p>Tow Coupling 50mm</p> <p>1 x Coupling</p>	<p>R93963</p>		<p>location on machine page 30 item 19</p>
<p>Tyre and Wheel Kit</p> <p>1 x Tyre and Wheel</p>	<p>TOCO-A01-007</p>		<p>location on machine page 30 item 20</p>

Spare Parts Exploded View

Refer to Spare parts Lists on pages 26-29 for Part Numbers and Descriptions



DETAIL A



DETAIL B

CONSUMER INFORMATION

Consumer Help and Information

For more help on your Tow and Collect product, please contact your local distributor.
Contact details are found at www.towandfarm.com

If you are dissatisfied with any part of the Tow and Collect product or service, we welcome your comments and feedback.

You can write to Head Office: Metalform - Tow and Farm
74 Miller Street
Dannevirke, 4930
New Zealand

Email: support@towandfarm.co.nz

Or Phone: +64 6 374 7043

When you write or call, please give us the following information:

- Model and serial number
- Date of purchase
- Your name and address
- Detailed description of the problem

New Zealand

Metalform Tow and Farm
74 Miller Street
Dannevirke, 4930
New Zealand
Phone: +64 6 374 7043
Email: sales@towandfarm.co.nz
Web: www.towandfarm.co.nz

Australia

Tow and Farm
105-117 Boundary Road
Laverton North, VIC 3026
Australia
Phone: 1300 630 279
Email: sales@towandfarm.com.au
Web: www.towandfarm.com.au

UK / Europe

Tow and Farm
Wood End
Prospect Road
New Farm Road Industrial Estate
Alresford
Hampshire, SO24 9QF
England
Phone: +44 1962 600 030
Email: sales@towandfarm.co.uk
Web: www.towandfarm.co.uk

USA / Canada

Tow and Farm, Inc.
105 Kendall Park Lane S,
Atlanta GA 30336
USA
Phone: 877 778 7181
Email: sales@towandfarm.com
Web: www.towandfarm.com